



US00D890905S

(12) **United States Design Patent**
Farone et al.

(10) **Patent No.:** **US D890,905 S**
(45) **Date of Patent:** **** Jul. 21, 2020**

(54) **AIR PURIFIER**

D288,714 S * 3/1987 Wilson D23/366
D346,017 S * 4/1994 Lim D23/332
D355,962 S * 2/1995 Chiu D23/364

(71) Applicant: **Guardian Technologies LLC**, Euclid,
OH (US)

(Continued)

(72) Inventors: **Richard C. Farone**, Willoughby, OH
(US); **Cynthia Caffoe**, Aurora, OH
(US)

OTHER PUBLICATIONS

amazon.com, Germ Guardian True HEPA Filter Air Purifier for Home, Office, Bedrooms, Filters Allergies, Pollen, Smoke, Dust, Pet Dander, Mold, Activated Carbon Eliminates Odors and Deodorizes, Quiet AC4200W, Aug. 15, 2019, <https://www.amazon.com/Guardian-Allergies-Eliminates-Deodorizes-AC4200W/dp/B07R5WX77Y/> (Year: 2019).*

(Continued)

(73) Assignee: **Guardian Technologies LLC**, Euclid,
OH (US)

(**) Term: **15 Years**

(21) Appl. No.: **29/682,061**

Primary Examiner — Nathan M Johnston

(22) Filed: **Mar. 1, 2019**

(74) *Attorney, Agent, or Firm* — Calfee, Halter & Griswold LLP

(51) **LOC (12) Cl.** **23-04**

(57) **CLAIM**

(52) **U.S. Cl.**

The ornamental design for an air purifier, as shown and described.

USPC **D23/364**

(58) **Field of Classification Search**

DESCRIPTION

USPC D23/355–366, 352, 369, 332, 333, 335,
D23/336, 342, 351; 422/120, 122;
55/356, 473, 504; 96/97; D14/188, 170,
D14/172; 261/DIG. 17, DIG. 65,
261/DIG. 88, DIG. 31; D18/34.6
CPC .. A61L 9/16; A61L 9/22; B01D 47/00; B01D
47/027; B01D 2221/02; B01D 2259/4508;
B03C 3/155; B03C 3/368; F24F 3/16;
F24F 13/20; F24F 13/28; F24F 3/1405;
F24F 3/1603; F24F 13/222

FIG. 1 is a perspective view of an air purifier of the new design;
FIG. 2 is a front elevational view of the air purifier of FIG. 1;
FIG. 3 is a right side elevational view of the air purifier of FIG. 1;
FIG. 4 is back elevational view of the air purifier of FIG. 1;
FIG. 5 is a left side elevational view of the air purifier of FIG. 1;
FIG. 6 is a top plan view of the air purifier of FIG. 1; and,
FIG. 7 is bottom view of the air purifier of FIG. 1.

See application file for complete search history.

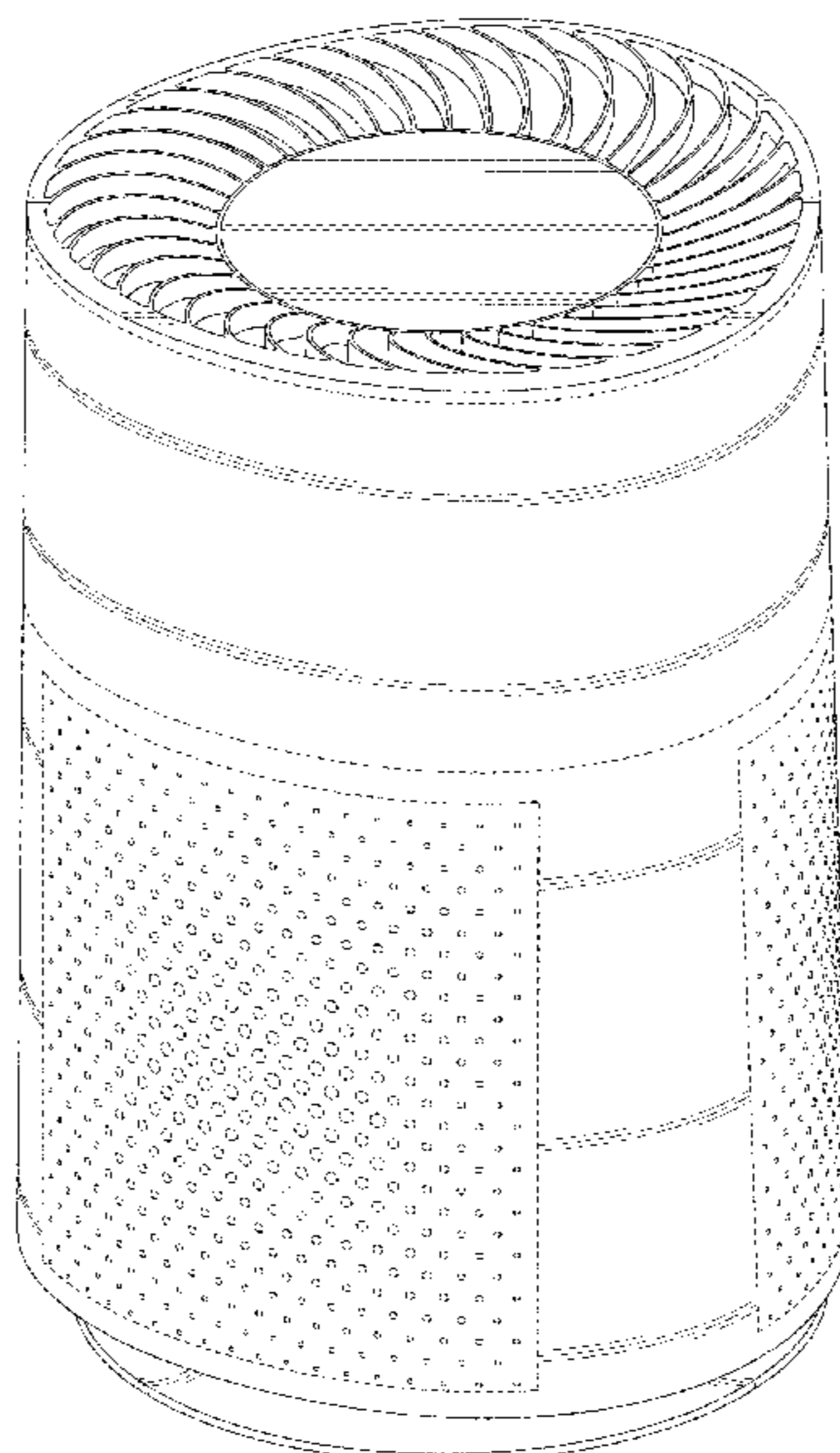
The broken lines in the drawings are for the purpose of illustration elements of the air purifier that form no part of the claimed design. The unshaded recessed interior surfaces within the grill of the air purifier form no part of the claimed design.

(56) **References Cited**

U.S. PATENT DOCUMENTS

3,972,473 A * 8/1976 Harrison B65D 83/285
239/34
D274,353 S * 6/1984 Hoyle D23/352
D281,618 S * 12/1985 Grube D23/364

1 Claim, 6 Drawing Sheets



(56)

References Cited

U.S. PATENT DOCUMENTS

5,753,000 A * 5/1998 Chiu B01D 46/24
55/357
D493,874 S * 8/2004 Woods D23/364
D505,999 S * 6/2005 Song D23/364
D539,882 S * 4/2007 Li D23/352
D552,724 S * 10/2007 Chen D23/366
D563,391 S * 3/2008 Skurdal D14/172
D574,072 S * 7/2008 Carlson D23/364
D653,744 S * 2/2012 Li D23/366
D716,427 S * 10/2014 Lim D23/364
D805,622 S * 12/2017 Lee D23/364
D810,905 S * 2/2018 Yoon D23/364
D818,097 S * 5/2018 Cho D23/364
D829,312 S * 9/2018 Riering-Czekalla D23/364
D831,810 S * 10/2018 Cho D23/364
D831,811 S * 10/2018 Cho D23/364
D834,694 S * 11/2018 Walter D23/366
D835,766 S * 12/2018 Chen D23/364
D836,760 S * 12/2018 Fredang D23/364
D844,767 S * 4/2019 Chen D23/364
D847,323 S * 4/2019 Gan D23/356

D849,218 S * 5/2019 Liang D23/356
D855,785 S * 8/2019 Kim D23/364
D855,787 S * 8/2019 Sakamoto D23/370
D865,149 S * 10/2019 Lin D23/364
D873,401 S * 1/2020 Chen D23/364
2010/0024652 A1 * 2/2010 Fox A61L 9/22
96/58
2017/0348455 A1 * 12/2017 Kim B01D 53/86
2018/0147523 A1 * 5/2018 Oh B01D 47/06
2018/0256770 A1 * 9/2018 Jang A61L 9/12
2019/0022266 A1 * 1/2019 Hsiao A61L 9/03
2019/0203960 A1 * 7/2019 Hoyda B01D 53/78
2019/0353362 A1 * 11/2019 Montagnino F24F 6/043
2020/0003440 A1 * 1/2020 Kim B01D 46/0047

OTHER PUBLICATIONS

Competitive Air Purifiers. Amazon. Link: https://www.amazon.com/s?k=air+purifiers&i=garden&rh=n%3A1055398%2Cn%3A510192%2Cp_36%3A3999-17500%2Cp_85%3A2470955011&dc&qid=1559843181&rnid=2528832011&ref=sr_nr_p_89_5.

* cited by examiner

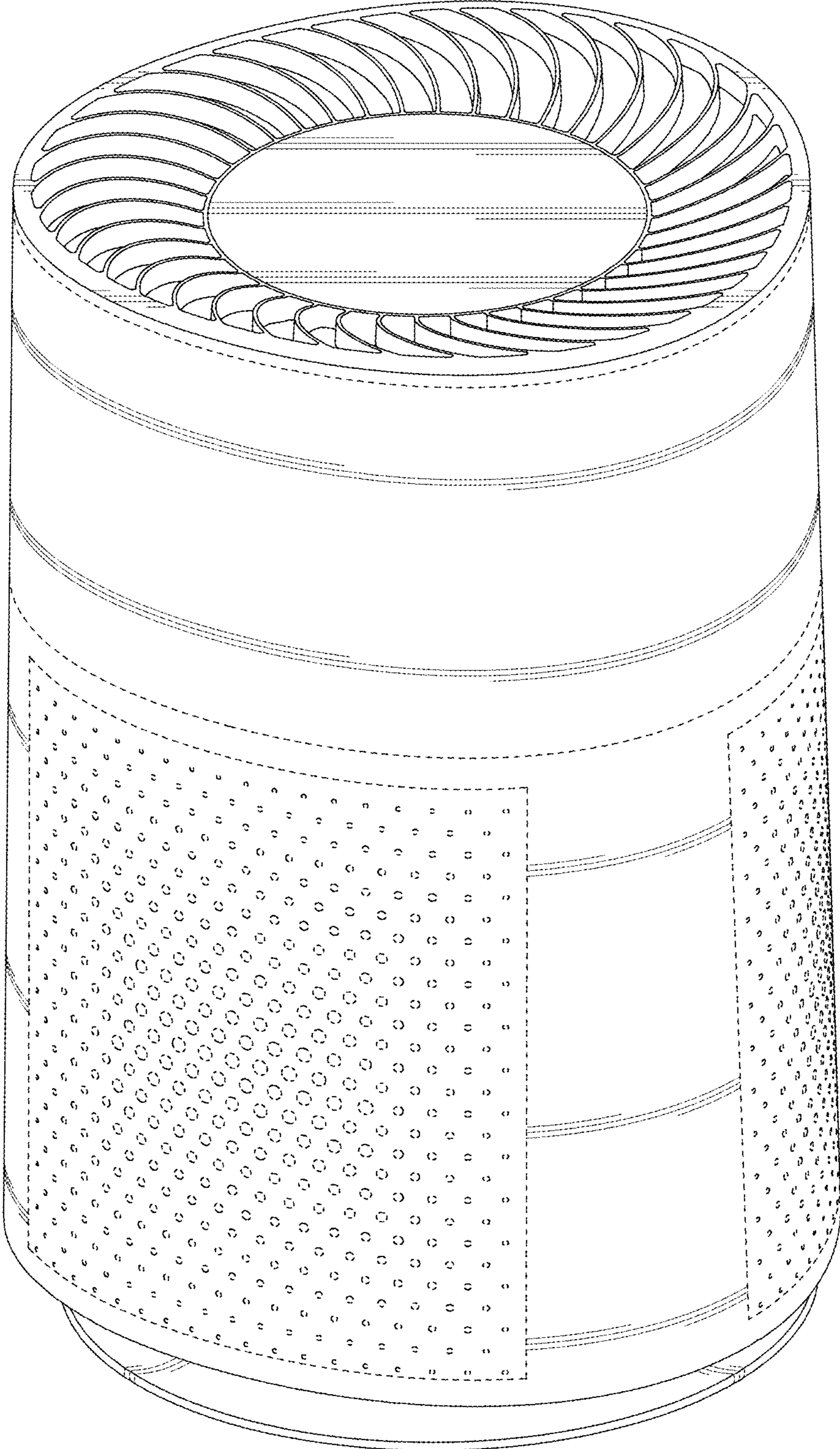


FIG. 1

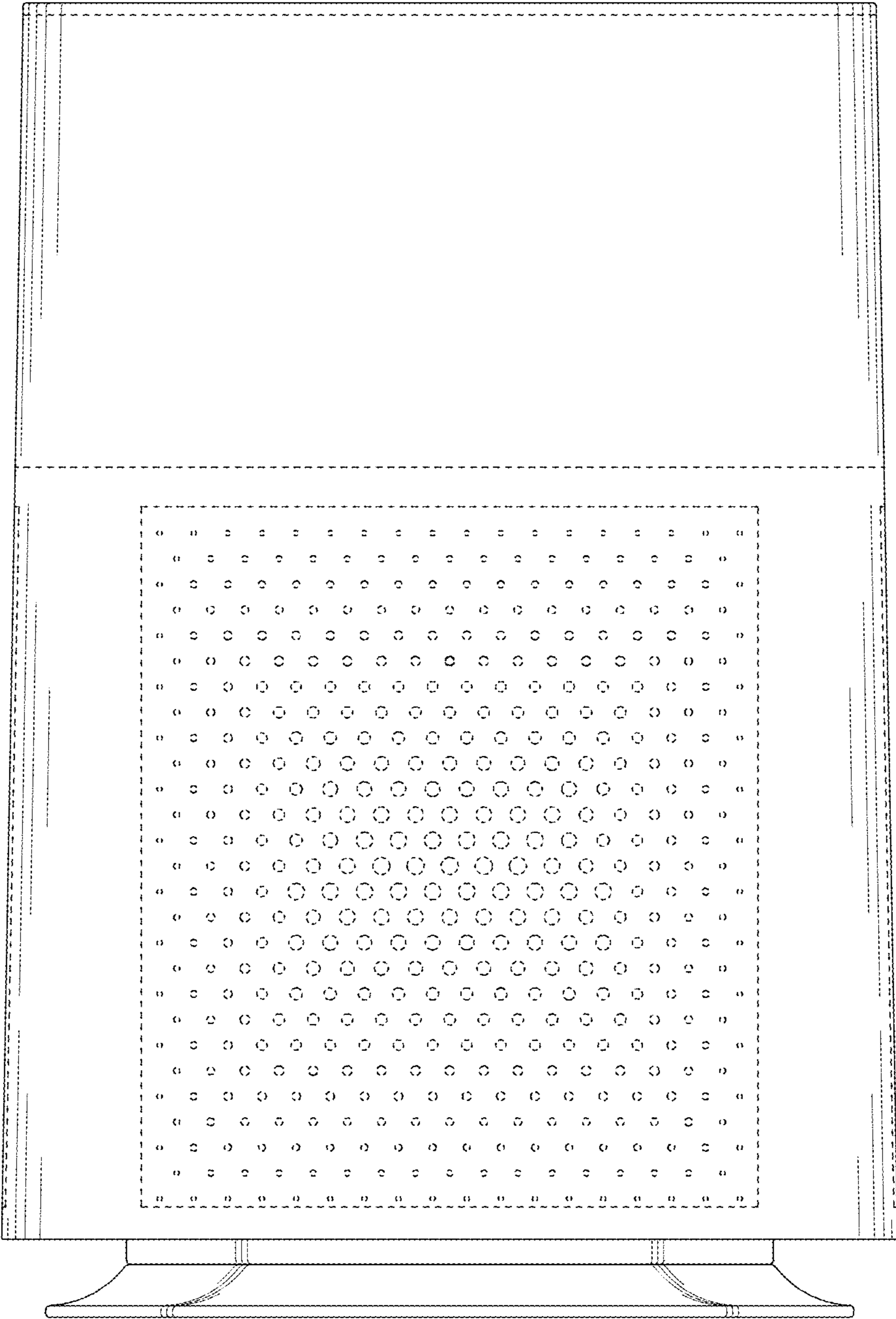


FIG. 2

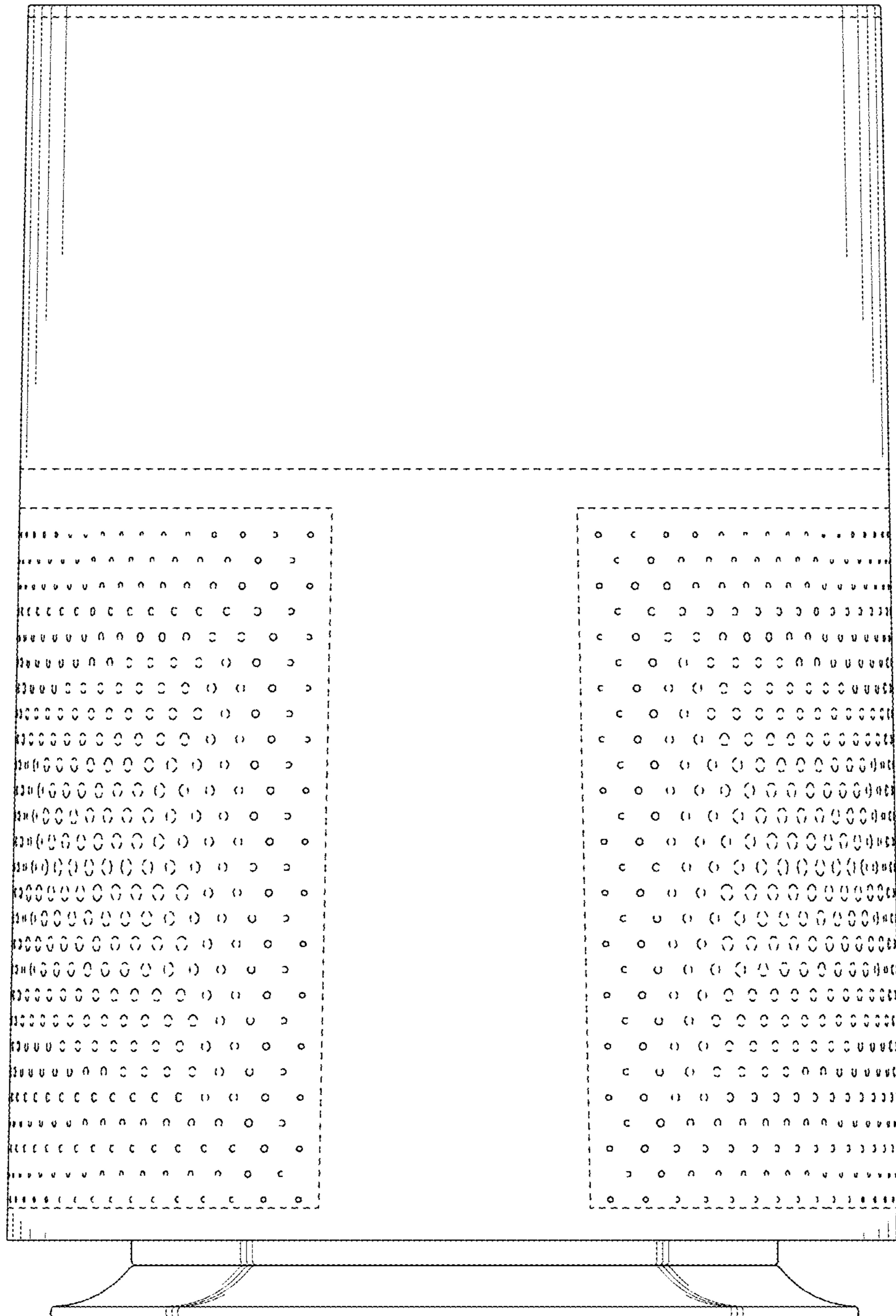


FIG. 3

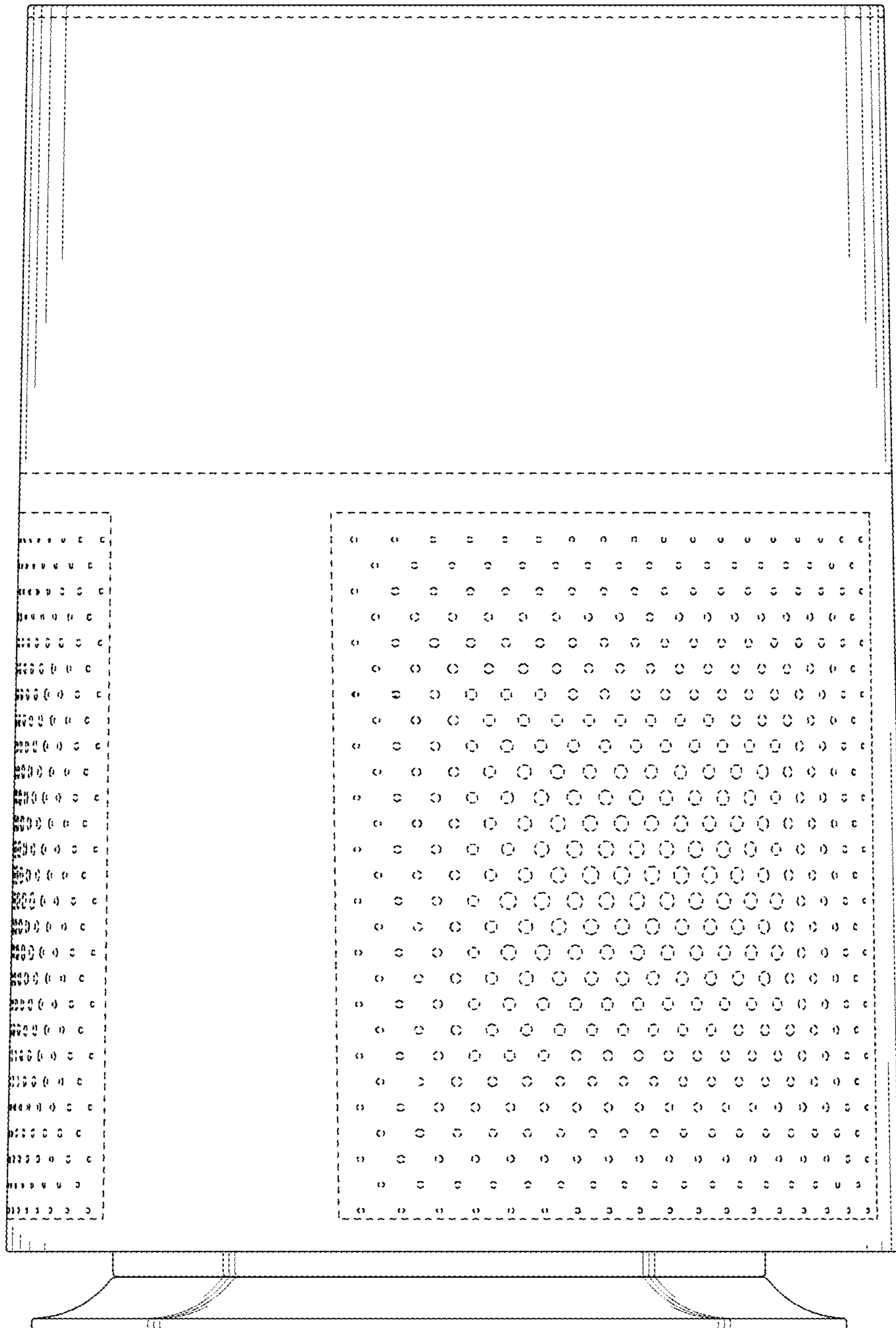


FIG. 4

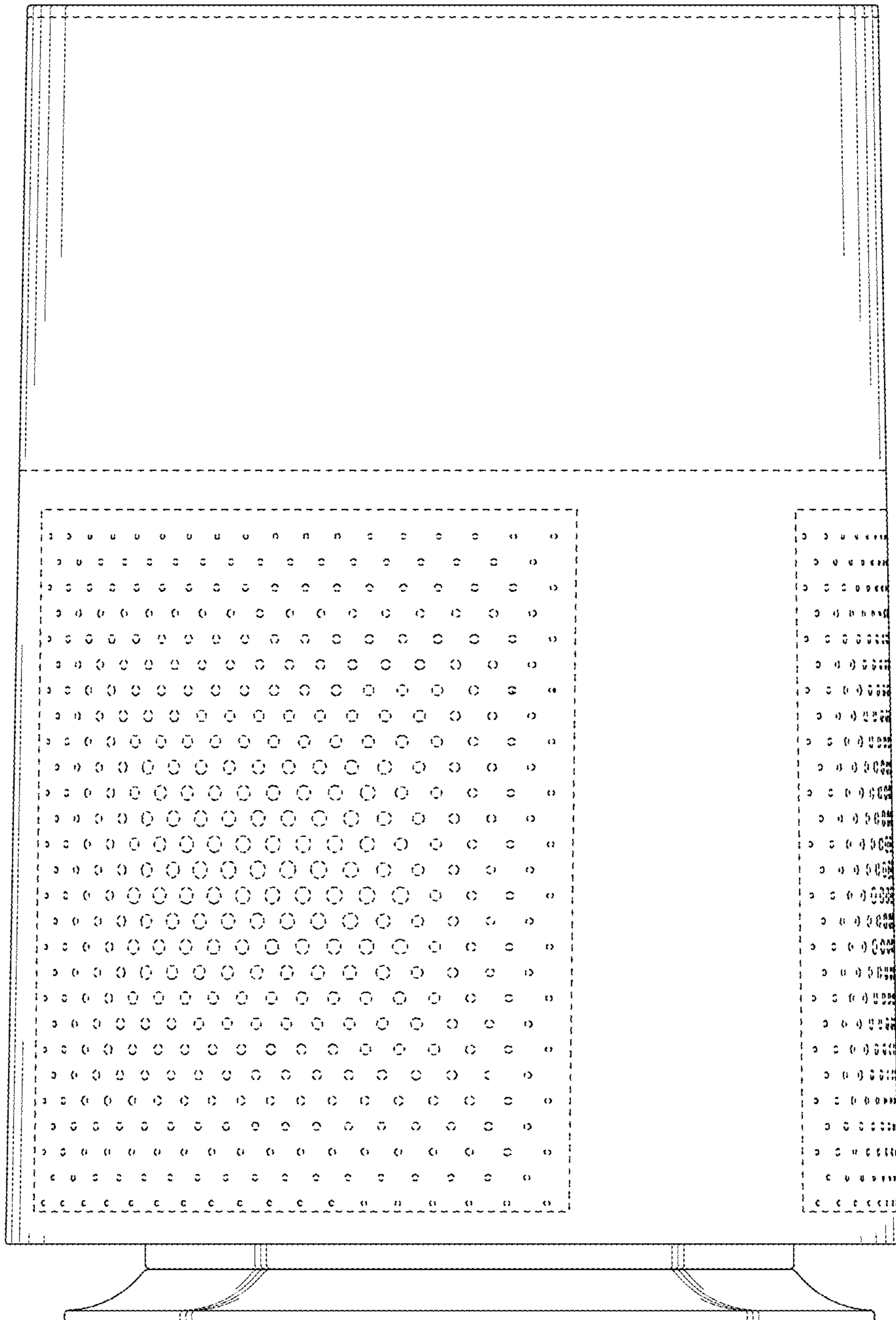


FIG. 5

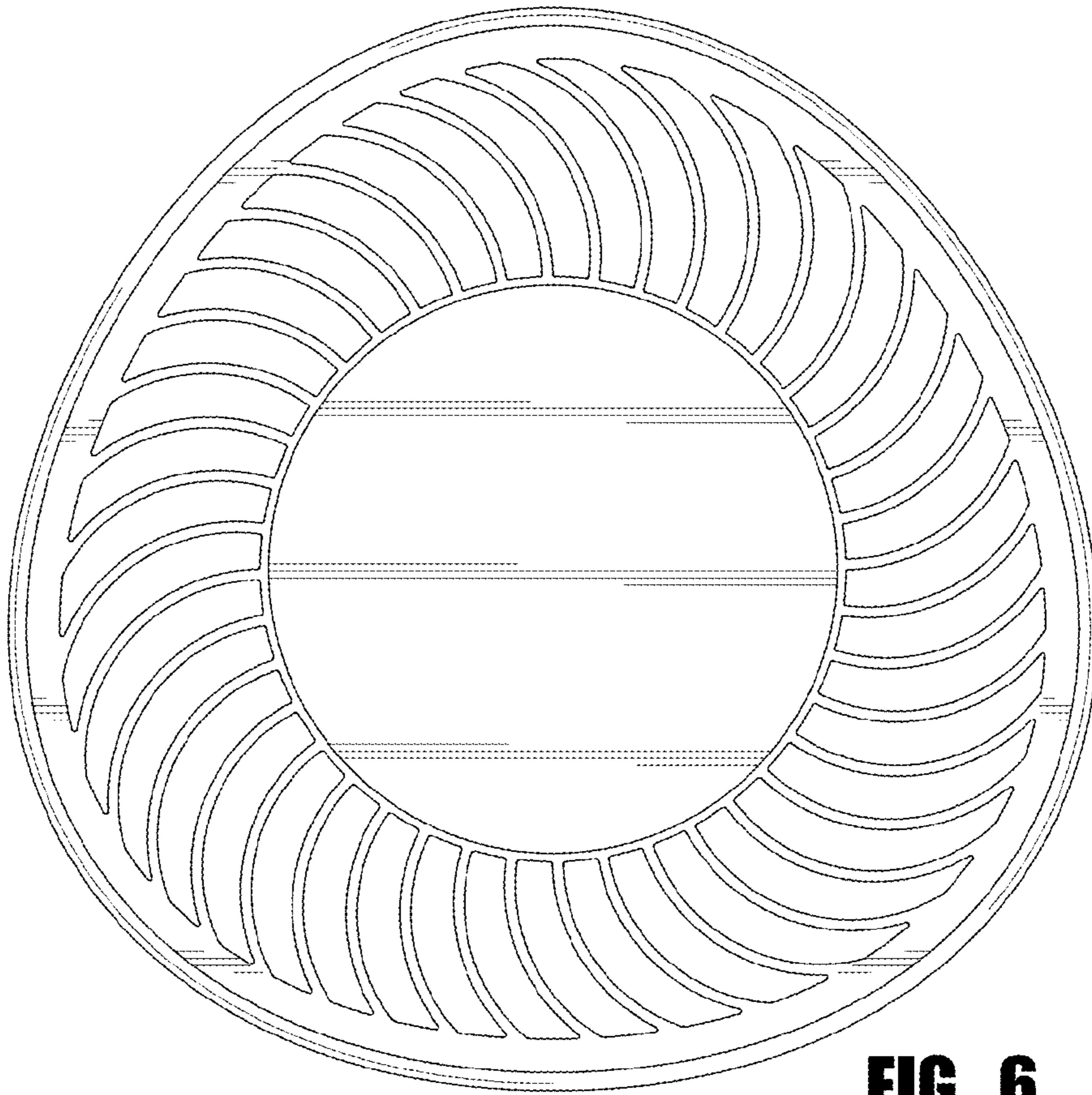


FIG. 6

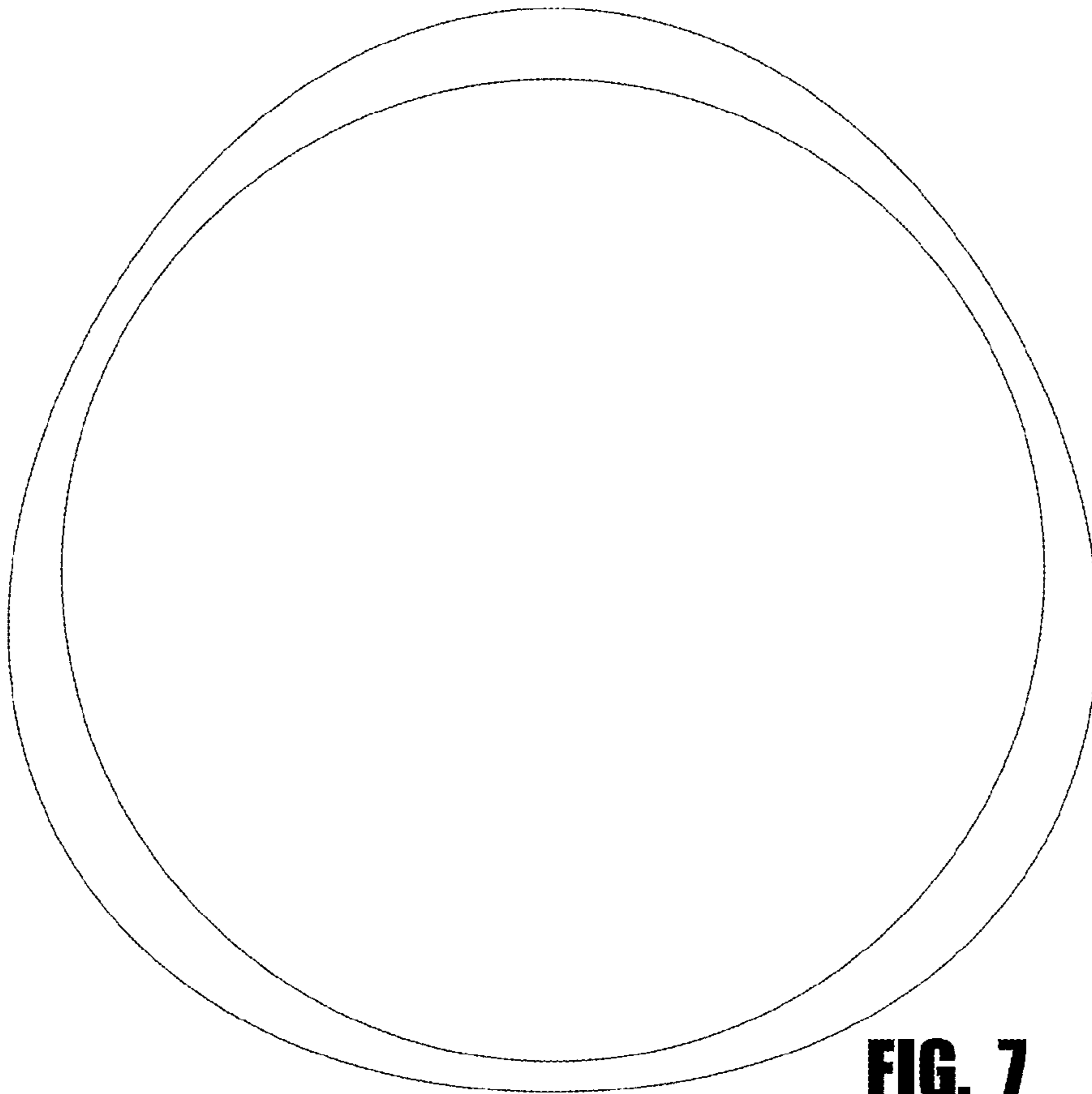


FIG. 7