



US00D890903S

(12) **United States Design Patent** (10) **Patent No.:** **US D890,903 S**
Carling et al. (45) **Date of Patent:** **** Jul. 21, 2020**

(54) **AIR PURIFIER**
(71) Applicant: **Dyson Technology Limited**, Wiltshire (GB)
(72) Inventors: **Joseph Robert Carling**, Swindon (GB); **Neil Andrew Stewart**, Swindon (GB); **James Dyson**, Bristol (GB); **Alexander Stuart Knox**, Swindon (GB)
(73) Assignee: **Dyson Technology Limited**, Malmesbury, Wiltshire (GB)

D221,657 S * 8/1971 Katzman D23/362
D235,547 S * 6/1975 Schlmanski D23/364
D257,788 S * 1/1981 Suhajda D23/366
D289,919 S * 5/1987 O'Neil, Jr. D23/366
D289,920 S * 5/1987 O'Neil, Jr. D23/366
D332,987 S * 2/1993 Der-Jinn D22/120
D350,192 S * 8/1994 Patel D23/366
5,601,636 A * 2/1997 Glucksman F24F 3/1603
96/63
D439,962 S * 4/2001 Gieseke D23/365
D455,484 S * 4/2002 Hensel D23/366
6,889,964 B2 * 5/2005 Way B01F 3/0412
261/122.1

(Continued)

(**) Term: **15 Years**

OTHER PUBLICATIONS

(21) Appl. No.: **29/680,327**

dyson.com, Pure Cool Me, Mar. 19, 2019, <https://www.dyson.com/purifiers/dyson-pure-cool-me-overview.html> (Year: 2019).*

(22) Filed: **Feb. 14, 2019**

Primary Examiner — Nathan M Johnston

(30) **Foreign Application Priority Data**

(74) *Attorney, Agent, or Firm* — Morrison & Foerster LLP

Aug. 16, 2018 (EM) 005609344-0003

(51) **LOC (12) Cl.** **23-04**

(52) **U.S. Cl.**
USPC **D23/364**

(58) **Field of Classification Search**
USPC D23/355-366, 352, 369, 332, 333, 335, D23/336, 342, 351; 422/120, 122; 55/356, 473, 504; 96/97; D14/188, 170, D14/172; 261/DIG. 17, DIG. 65, 261/DIG. 88, DIG. 31; D18/34.6
CPC .. A61L 9/16; A61L 9/22; B01D 47/00; B01D 47/027; B01D 2221/02; B01D 2259/4508; B03C 3/155; B03C 3/368; F24F 3/16; F24F 13/20; F24F 13/28; F24F 3/1405; F24F 3/1603; F24F 13/222

See application file for complete search history.

(56) **References Cited**

U.S. PATENT DOCUMENTS

2,642,310 A * 6/1953 Meek A61L 9/12
239/35
D185,143 S * 5/1959 Flury D23/362

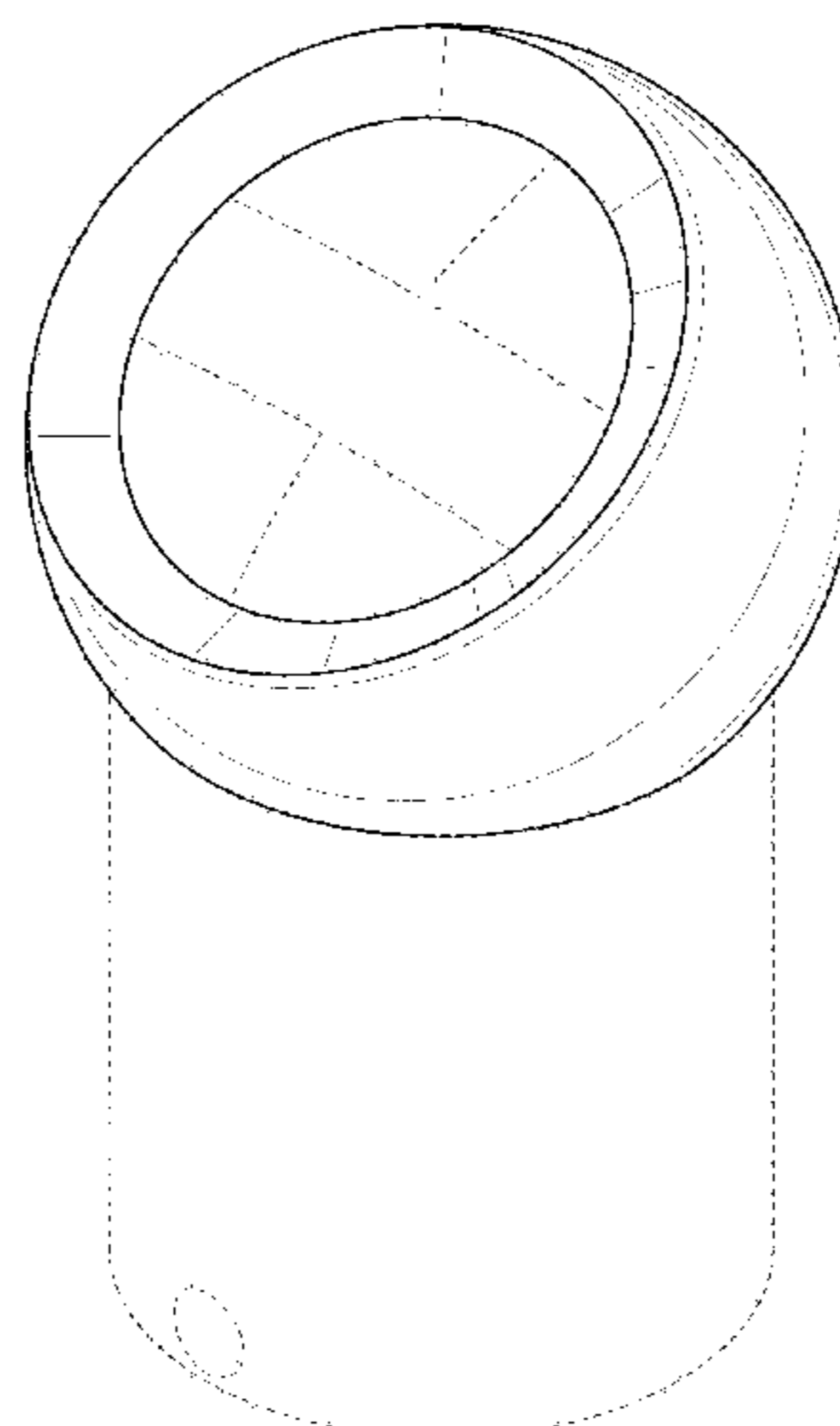
(57) **CLAIM**

We claim the ornamental design for an air purifier, as shown and described.

DESCRIPTION

FIG. 1 is a front perspective view of an air purifier showing our new design;
FIG. 2 is a front view thereof;
FIG. 3 is a rear view thereof;
FIG. 4 is a side view thereof;
FIG. 5 is a side view of the opposite side of FIG. 4;
FIG. 6 is a top view thereof; and,
FIG. 7 is a bottom view thereof.
The broken lines shown in the drawings illustrate portions of an air purifier that form no part of the claimed design.

1 Claim, 7 Drawing Sheets



(56)

References Cited

U.S. PATENT DOCUMENTS

7,025,798 B2 * 4/2006 Endo B01D 46/0023
55/385.1
D545,953 S * 7/2007 Chien D23/342
D613,388 S * 4/2010 Koenig D23/366
D640,358 S * 6/2011 Irvin D23/366
8,196,903 B2 * 6/2012 Jorgensen A61L 9/14
239/102.1
D740,249 S * 10/2015 Park D14/188
D807,483 S * 1/2018 Combs D23/364
D828,529 S * 9/2018 Hu D23/364
D854,135 S * 7/2019 Partrat D23/364
D861,845 S * 10/2019 Chen D23/364
2016/0114069 A1 * 4/2016 Huynh A61L 9/037
261/142
2016/0375168 A1 * 12/2016 Hsiao A61L 9/03
392/390
2017/0319734 A1 * 11/2017 Deflorian A61L 9/12

* cited by examiner

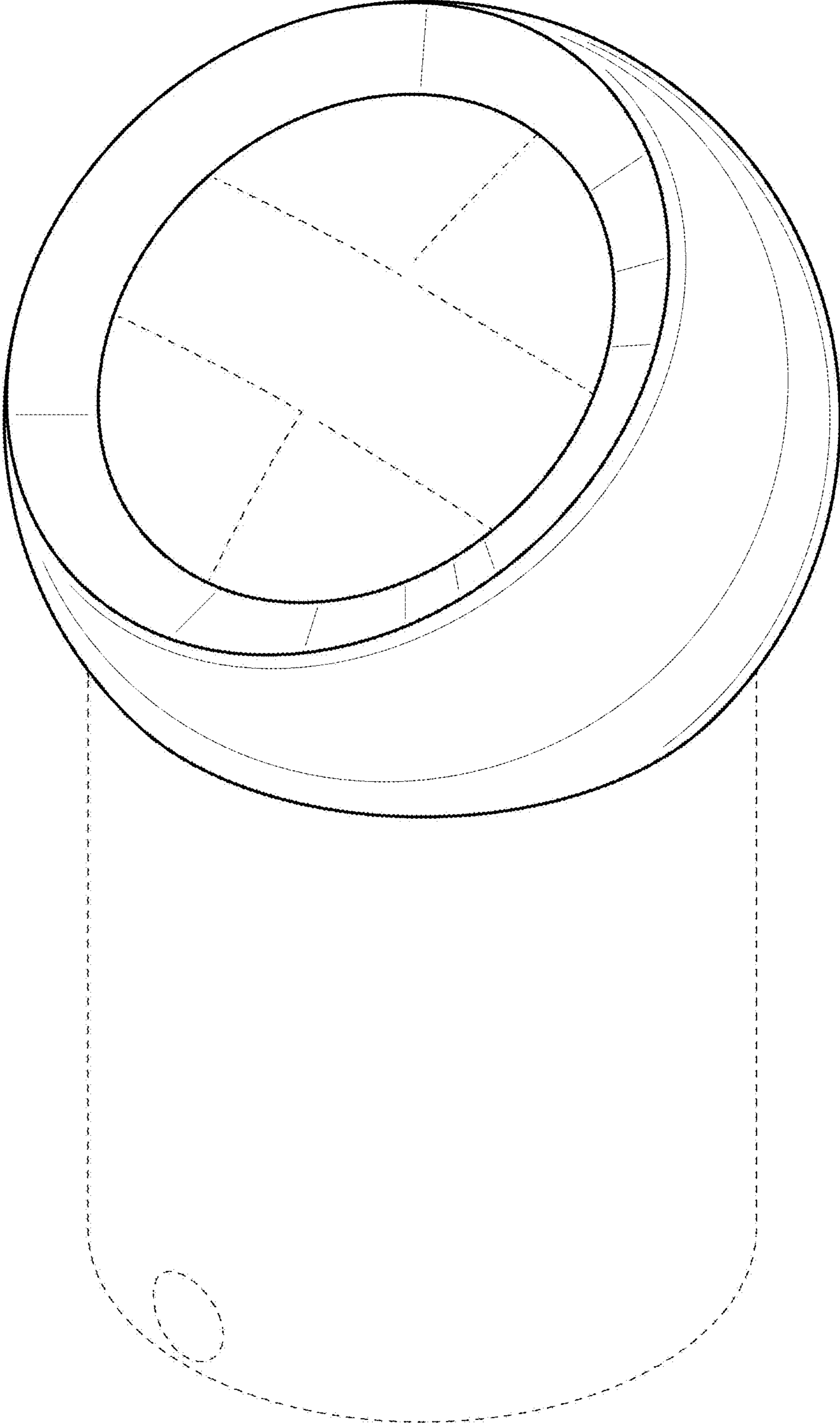


FIG. 1

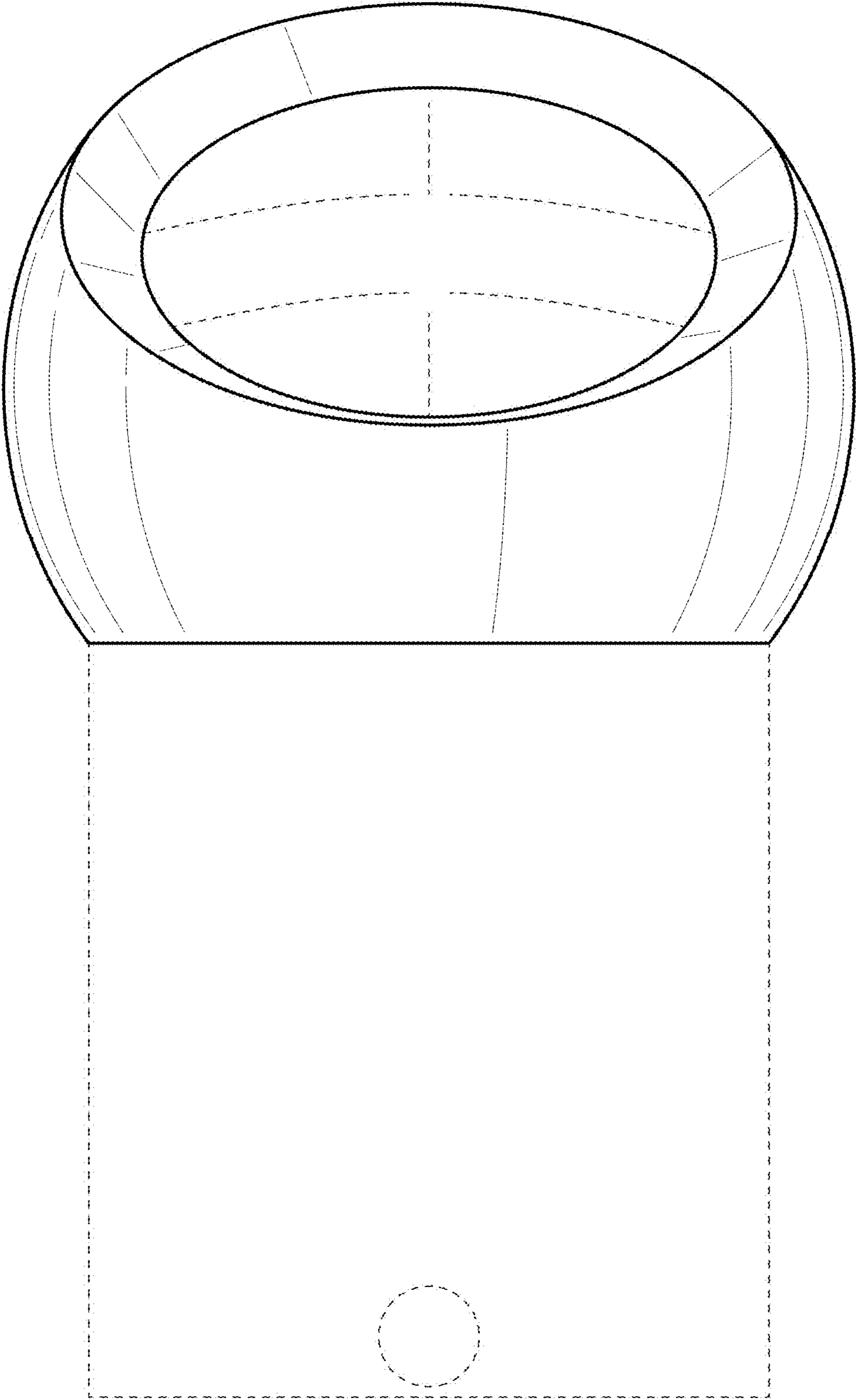


FIG. 2

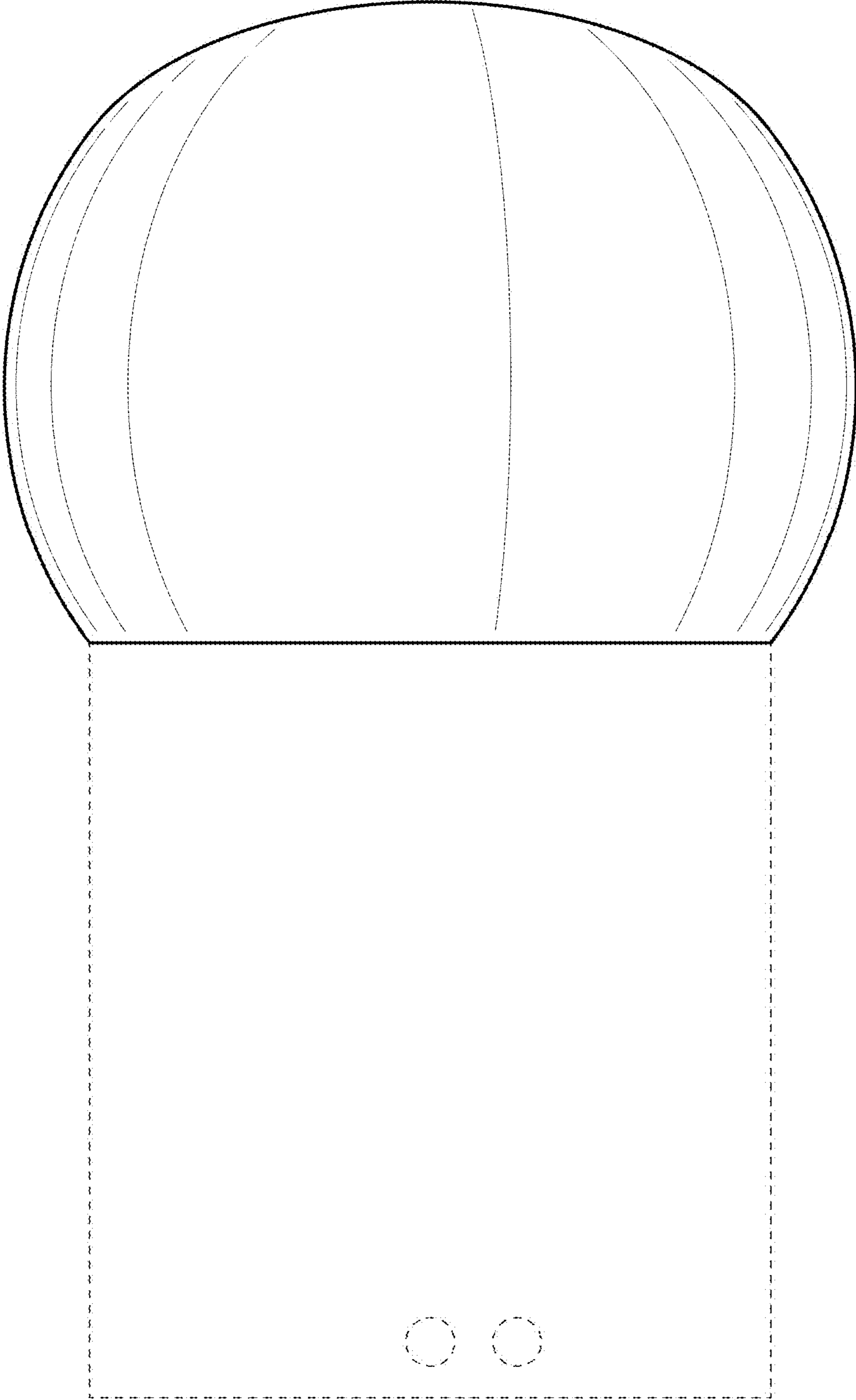


FIG. 3

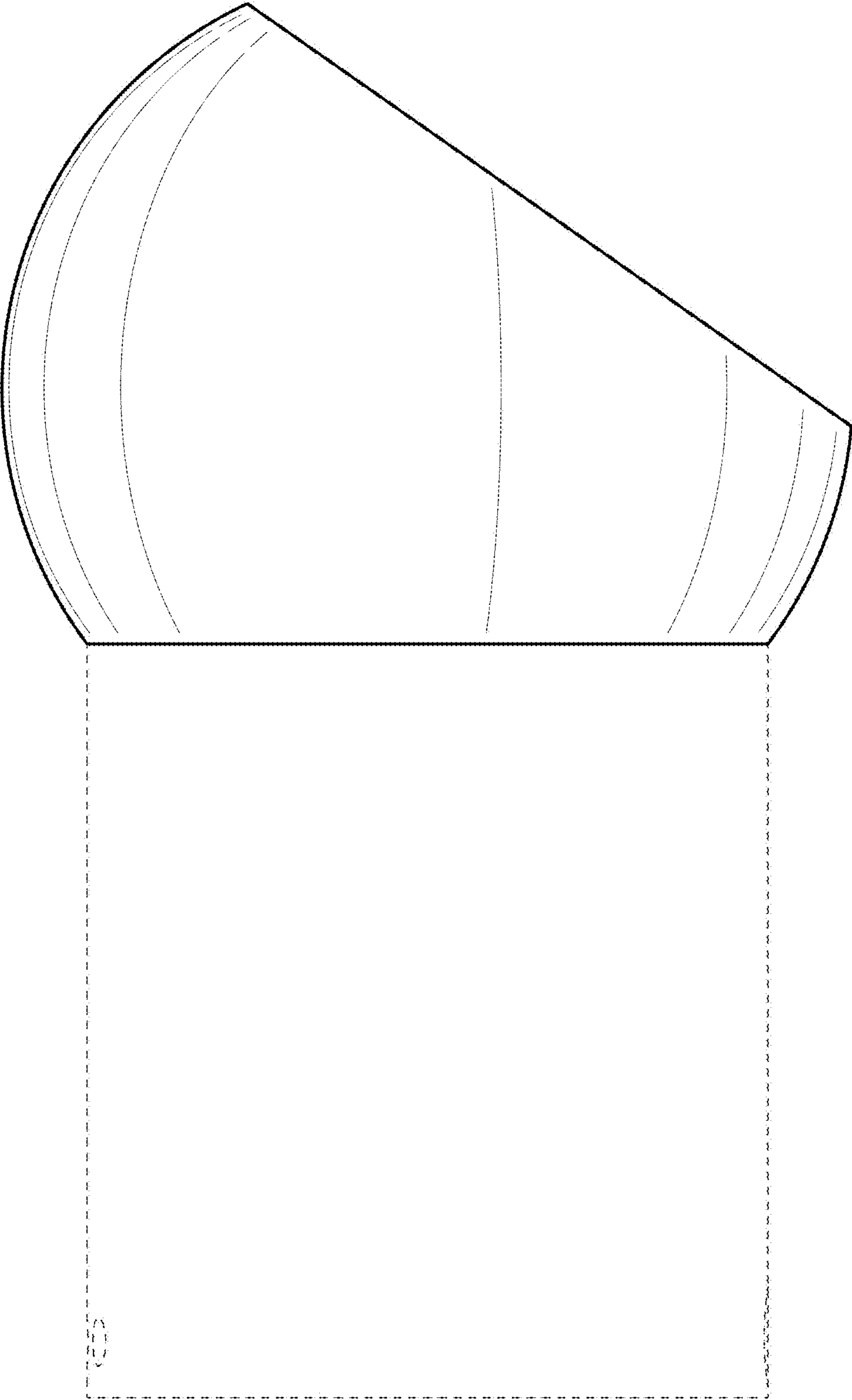


FIG. 4

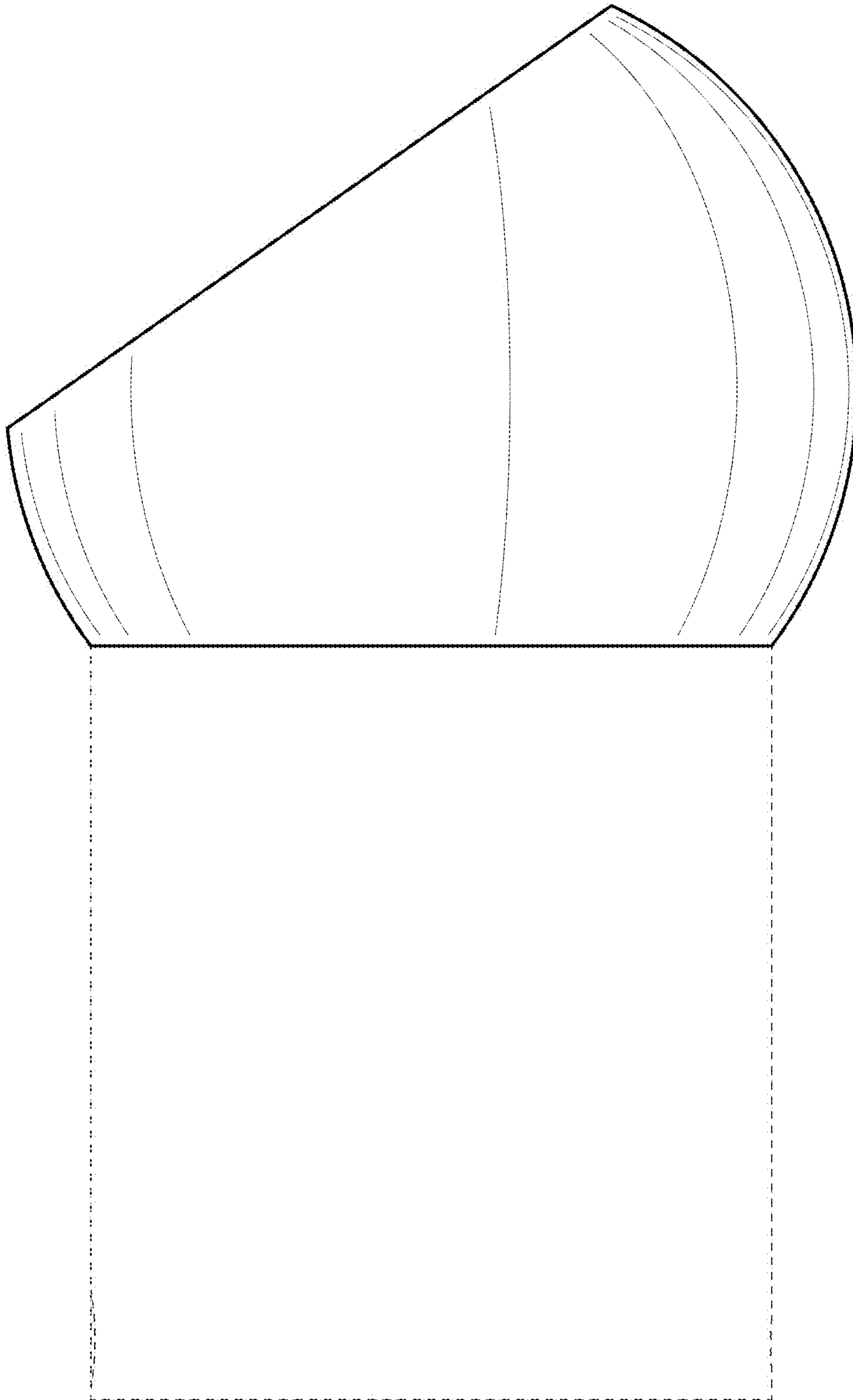


FIG. 5

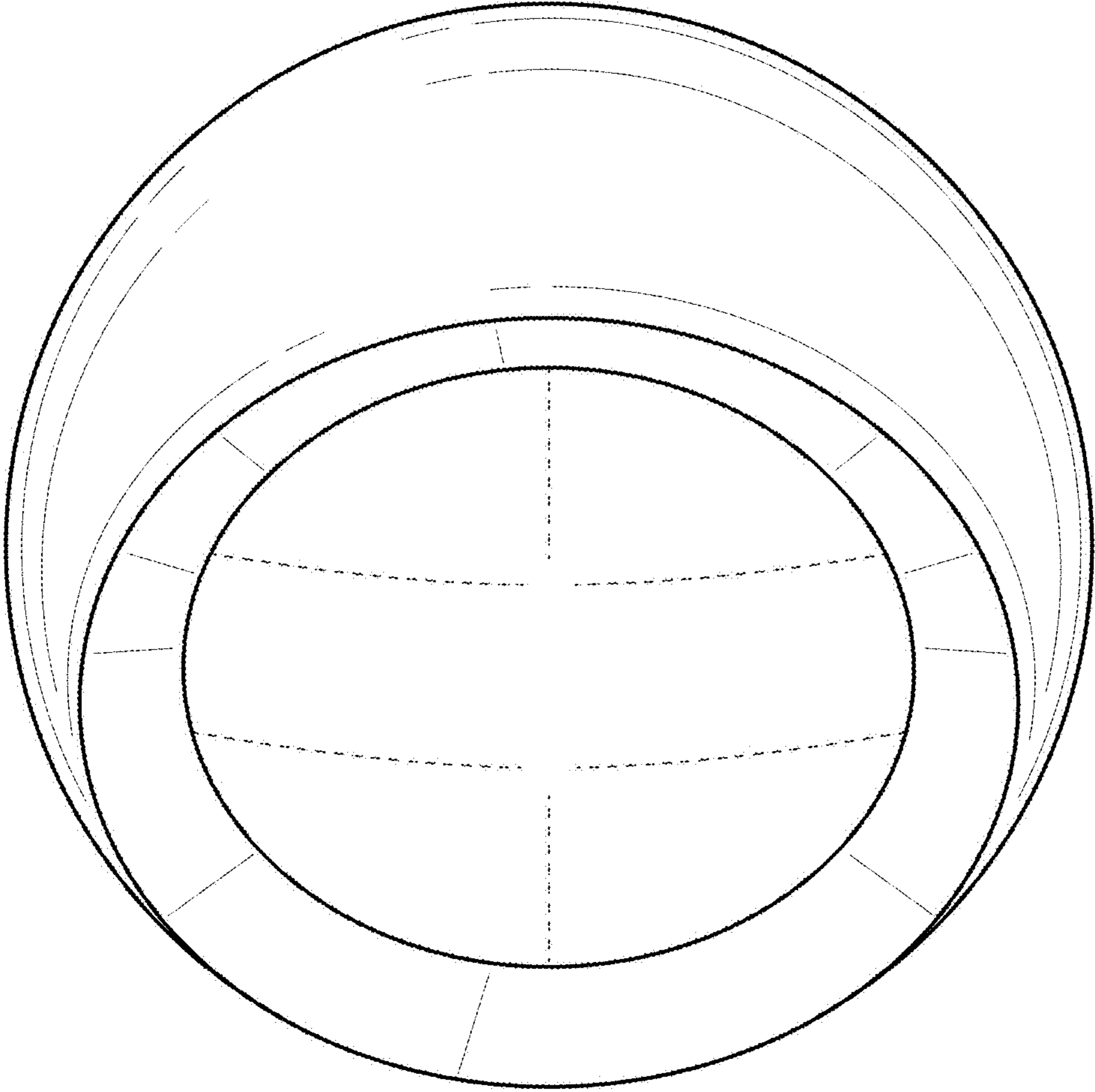


FIG. 6

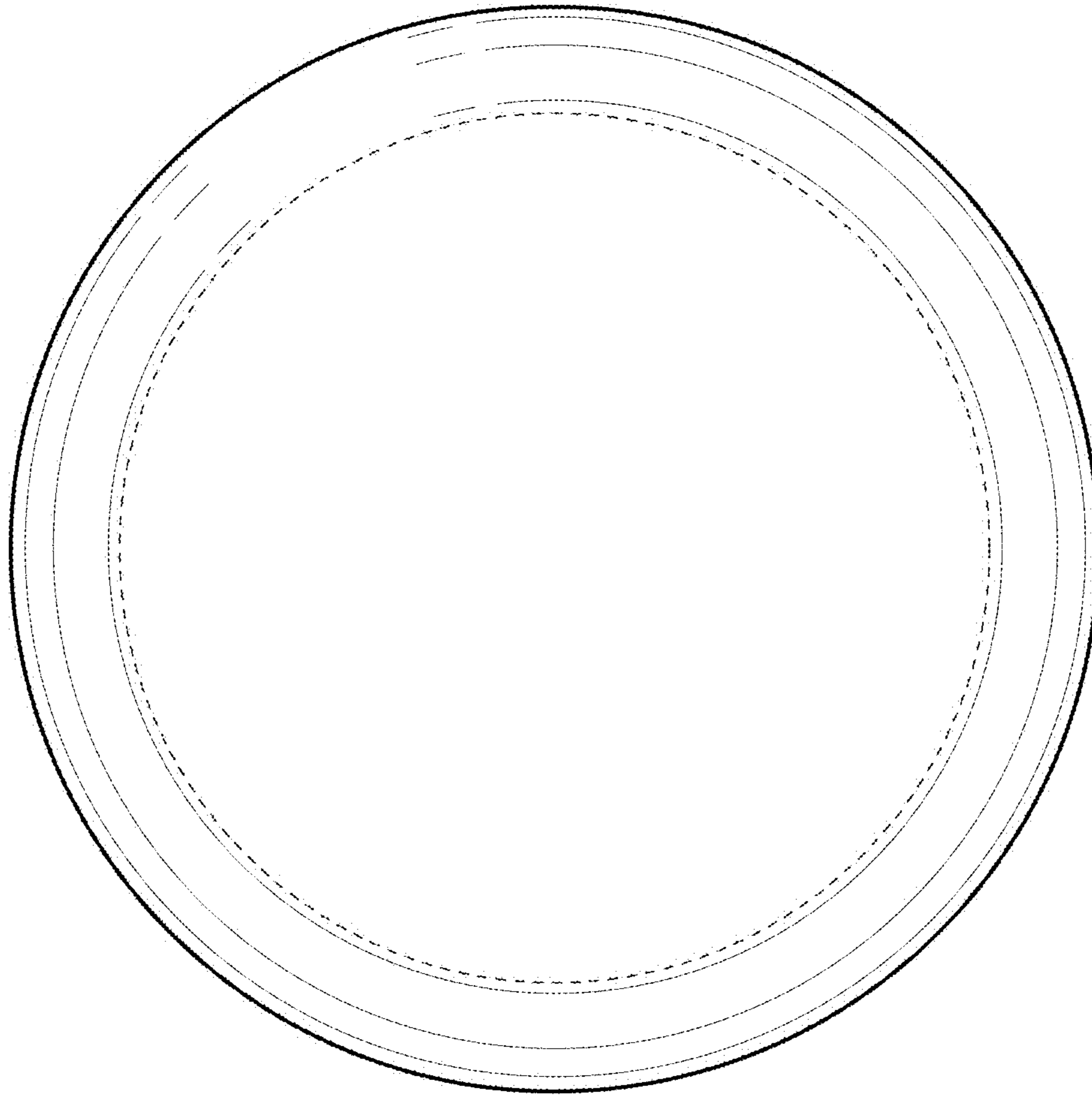


FIG. 7