



US00D890902S

(12) **United States Design Patent** (10) **Patent No.:** **US D890,902 S**  
**Carling et al.** (45) **Date of Patent:** **\*\* Jul. 21, 2020**

(54) **AIR PURIFIER**  
(71) Applicant: **Dyson Technology Limited**, Wiltshire (GB)  
(72) Inventors: **Joseph Robert Carling**, Swindon (GB); **Neil Andrew Stewart**, Swindon (GB); **James Dyson**, Bristol (GB); **Alexander Stuart Knox**, Swindon (GB)  
(73) Assignee: **Dyson Technology Limited**, Malmesbury, Wiltshire (GB)

D374,071 S \* 9/1996 Wang ..... D23/332  
7,025,798 B2 \* 4/2006 Endo ..... B01D 46/0023  
55/385.1  
7,544,331 B1 \* 6/2009 Pettaway ..... A61L 9/03  
422/125  
D642,252 S \* 7/2011 Paolazzi ..... D23/366  
D646,370 S \* 10/2011 Kuo ..... D23/366  
D728,769 S \* 5/2015 Dyson ..... D23/342  
D746,425 S \* 12/2015 Dyson ..... D23/356  
D862,672 S \* 10/2019 Chen ..... D23/364  
D863,774 S \* 10/2019 Courtney ..... D4/101  
D869,764 S \* 12/2019 Atkinson ..... D28/19  
D870,255 S \* 12/2019 Ao ..... D23/364  
D874,623 S \* 2/2020 Lupi ..... D23/333

(Continued)

(\*\*) Term: **15 Years**

(21) Appl. No.: **29/680,323**

(22) Filed: **Feb. 14, 2019**

(30) **Foreign Application Priority Data**

Aug. 16, 2018 (EM) ..... 005609344-0001

(51) **LOC (12) Cl.** ..... **23-04**

(52) **U.S. Cl.**  
USPC ..... **D23/364**

(58) **Field of Classification Search**  
USPC ..... D23/355-366, 352, 369, 332, 333, 335, D23/336, 342, 351; 422/120, 122; 55/356, 473, 504; 96/97; D14/188, 170, D14/172; 261/DIG. 17, DIG. 65, 261/DIG. 88, DIG. 31; D18/34.6  
CPC .. A61L 9/16; A61L 9/22; B01D 47/00; B01D 47/27; B01D 2221/02; B01D 2259/4508; B03C 3/155; B03C 3/368; F24F 3/16; F24F 13/20; F24F 13/28; F24F 3/1405; F24F 3/1603; F24F 13/222

See application file for complete search history.

(56) **References Cited**

**U.S. PATENT DOCUMENTS**

D175,301 S \* 8/1955 Fisher ..... D23/362  
D346,017 S \* 4/1994 Lim ..... D23/332

**OTHER PUBLICATIONS**

dyson.com, Pure Cool Me, Mar. 19, 2019, <https://www.dyson.com/purifiers/dyson-pure-cool-me-overview.html> (Year: 2019).\*

*Primary Examiner* — Nathan M Johnston  
(74) *Attorney, Agent, or Firm* — Morrison & Foerster LLP

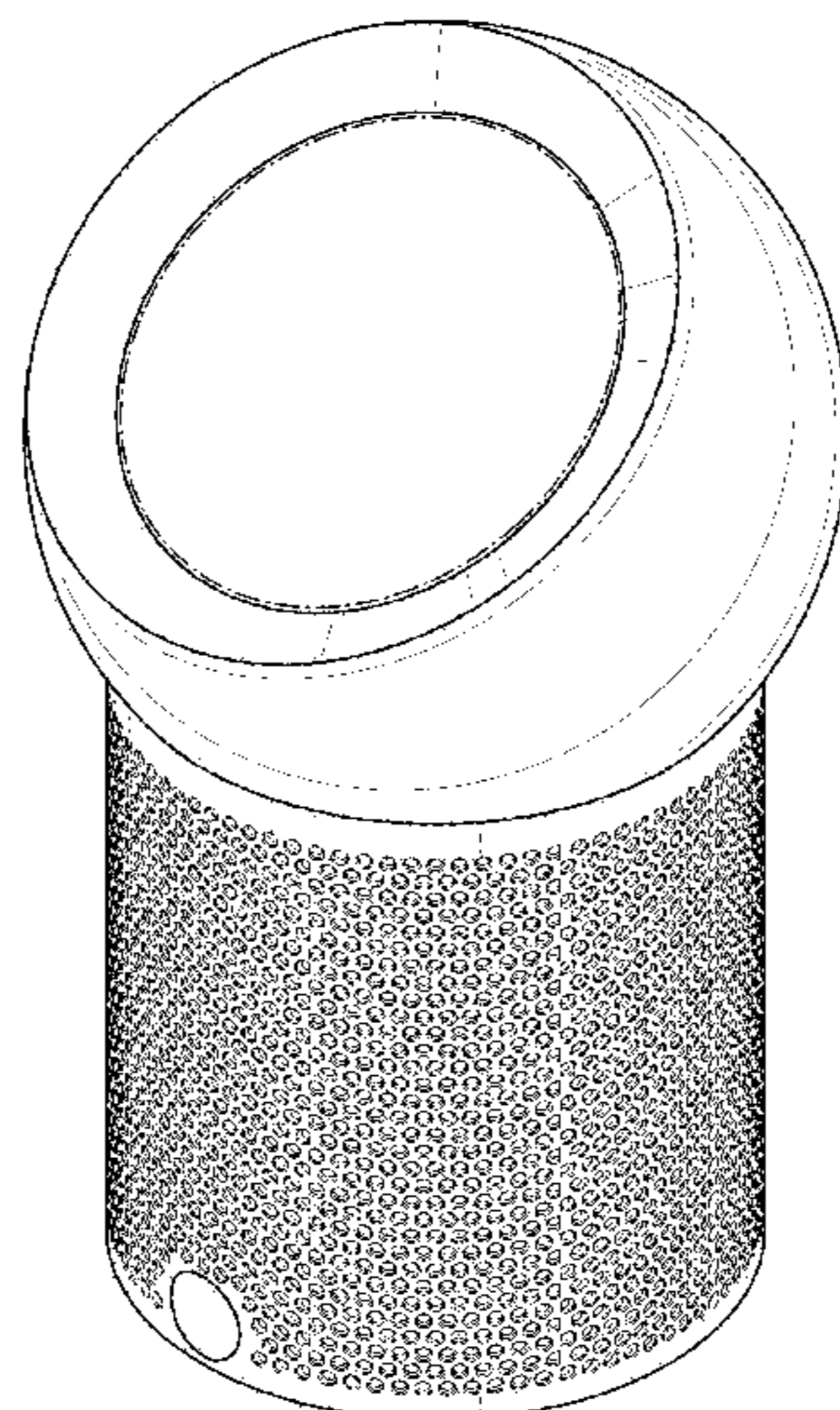
(57) **CLAIM**

We claim the ornamental design for an air purifier, as shown and described.

**DESCRIPTION**

FIG. 1 is a front perspective view of an air purifier showing our new design;  
FIG. 2 is a front view thereof;  
FIG. 3 is a rear view thereof;  
FIG. 4 is a side view thereof;  
FIG. 5 is a side view of the opposite side of FIG. 4;  
FIG. 6 is a top view thereof; and,  
FIG. 7 is a bottom view thereof.  
The dash-dot lines shown in the drawings represent the bounds of the claimed design.

**1 Claim, 7 Drawing Sheets**



(56)

**References Cited**

U.S. PATENT DOCUMENTS

2010/0270943 A1\* 10/2010 Cook ..... A61L 9/03  
315/291  
2010/0284168 A1\* 11/2010 Walter ..... A01M 1/205  
362/96  
2013/0280051 A1\* 10/2013 Nicolas ..... F04D 25/08  
415/182.1  
2013/0309066 A1\* 11/2013 Atkinson ..... F04D 29/664  
415/119  
2014/0124594 A1\* 5/2014 Hsiao ..... A61L 9/03  
239/135  
2014/0126892 A1\* 5/2014 Hsiao ..... B60H 3/0007  
392/394  
2014/0126893 A1\* 5/2014 Hsiao ..... A61L 9/03  
392/403  
2014/0133841 A1\* 5/2014 Hsiao ..... A61L 9/16  
392/386  
2014/0210114 A1\* 7/2014 Staniforth ..... F04D 25/08  
261/30  
2016/0114069 A1\* 4/2016 Huynh ..... A61L 9/037  
261/142  
2017/0252476 A1\* 9/2017 Koontz ..... A61L 9/037  
2020/0030736 A1\* 1/2020 Yun ..... B01D 46/0056

\* cited by examiner



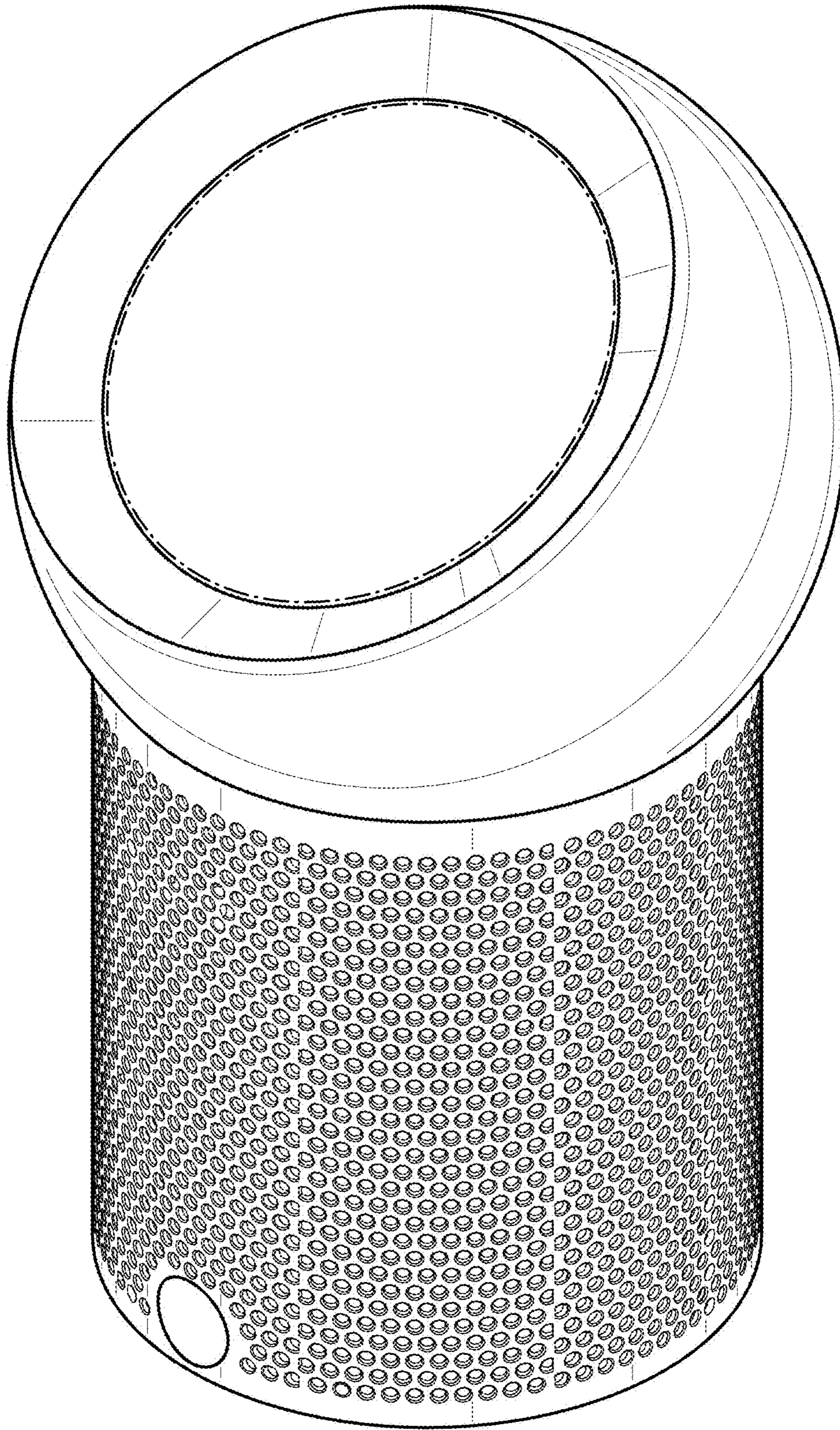


FIG. 1



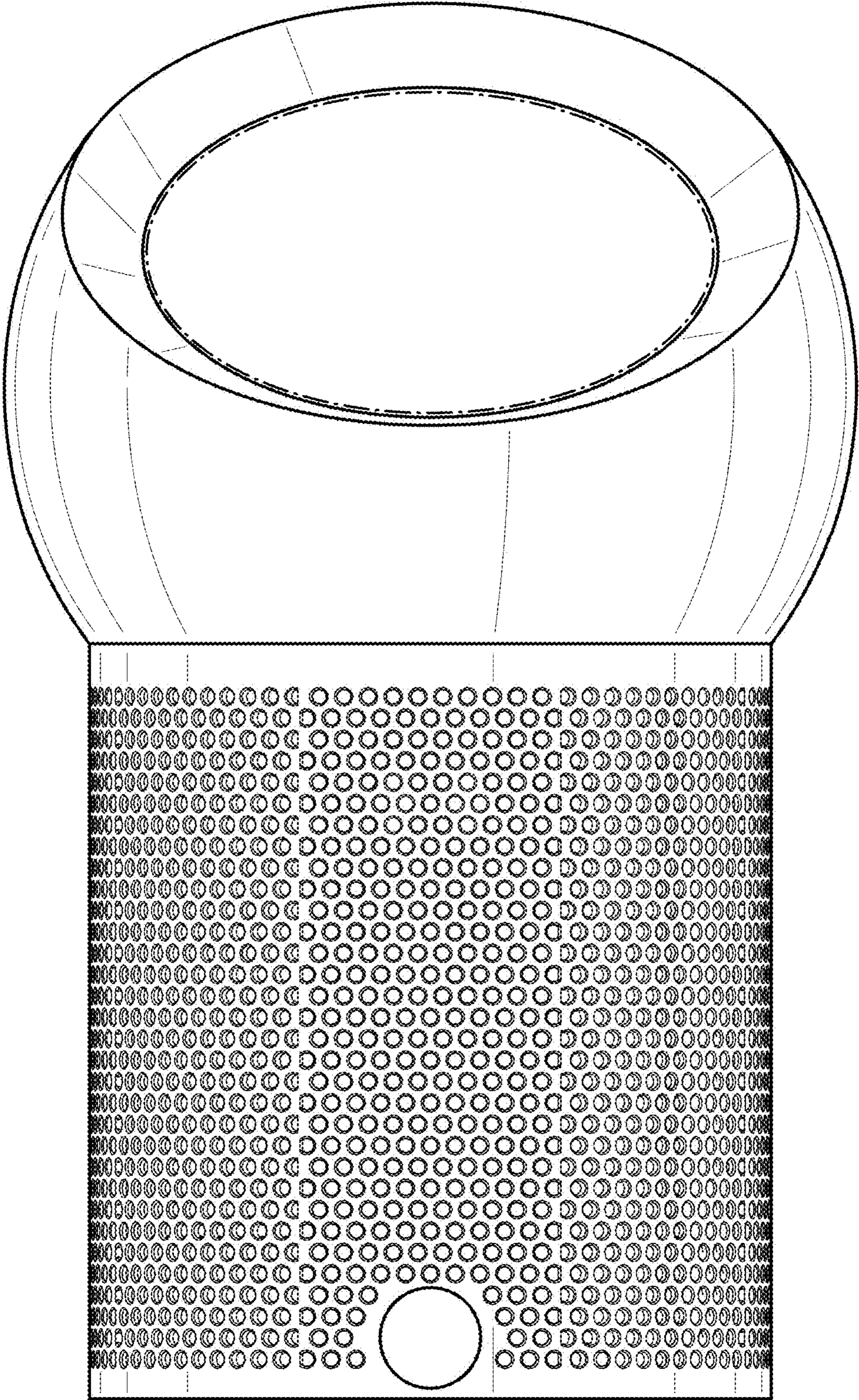


FIG. 2



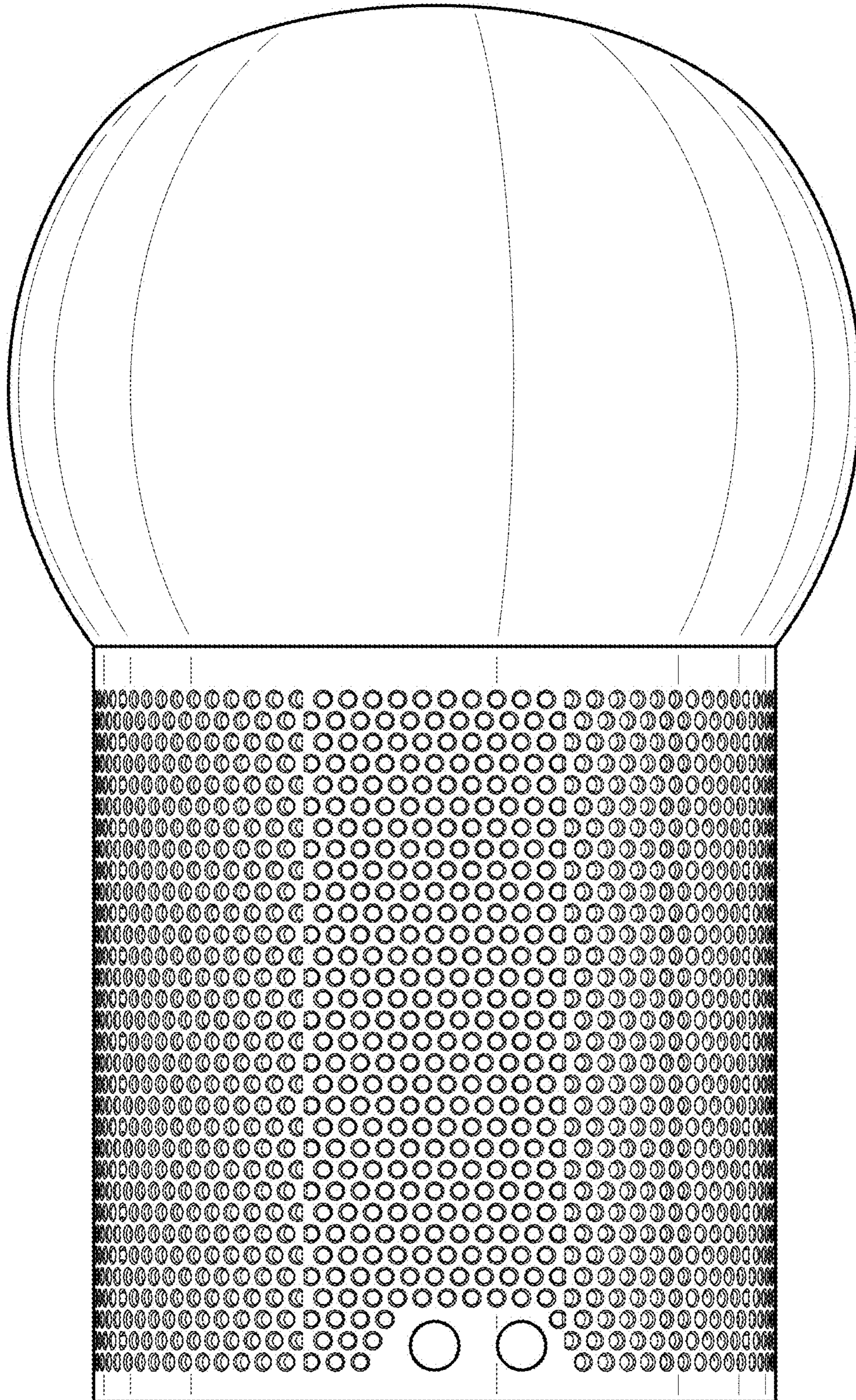


FIG. 3



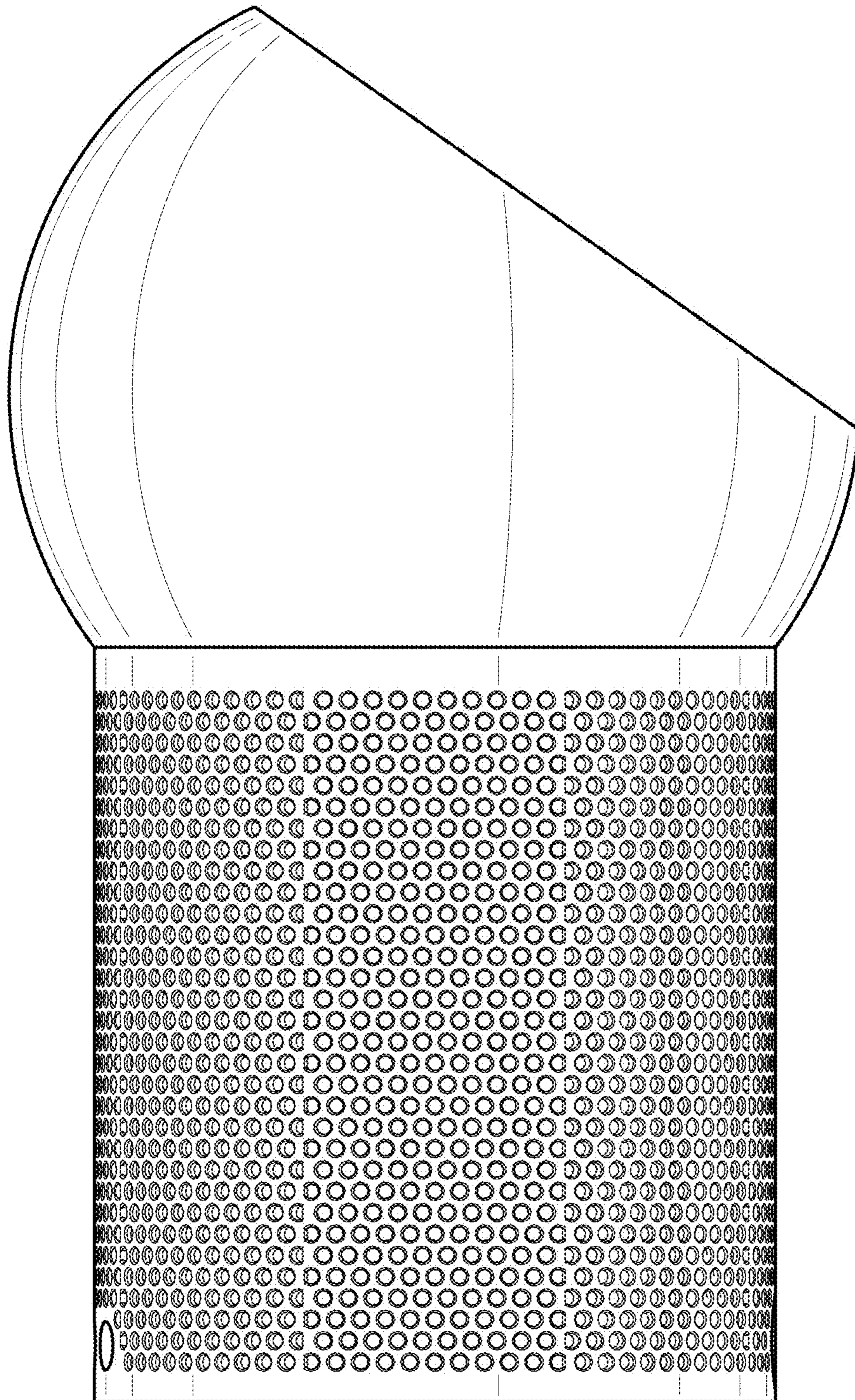


FIG. 4



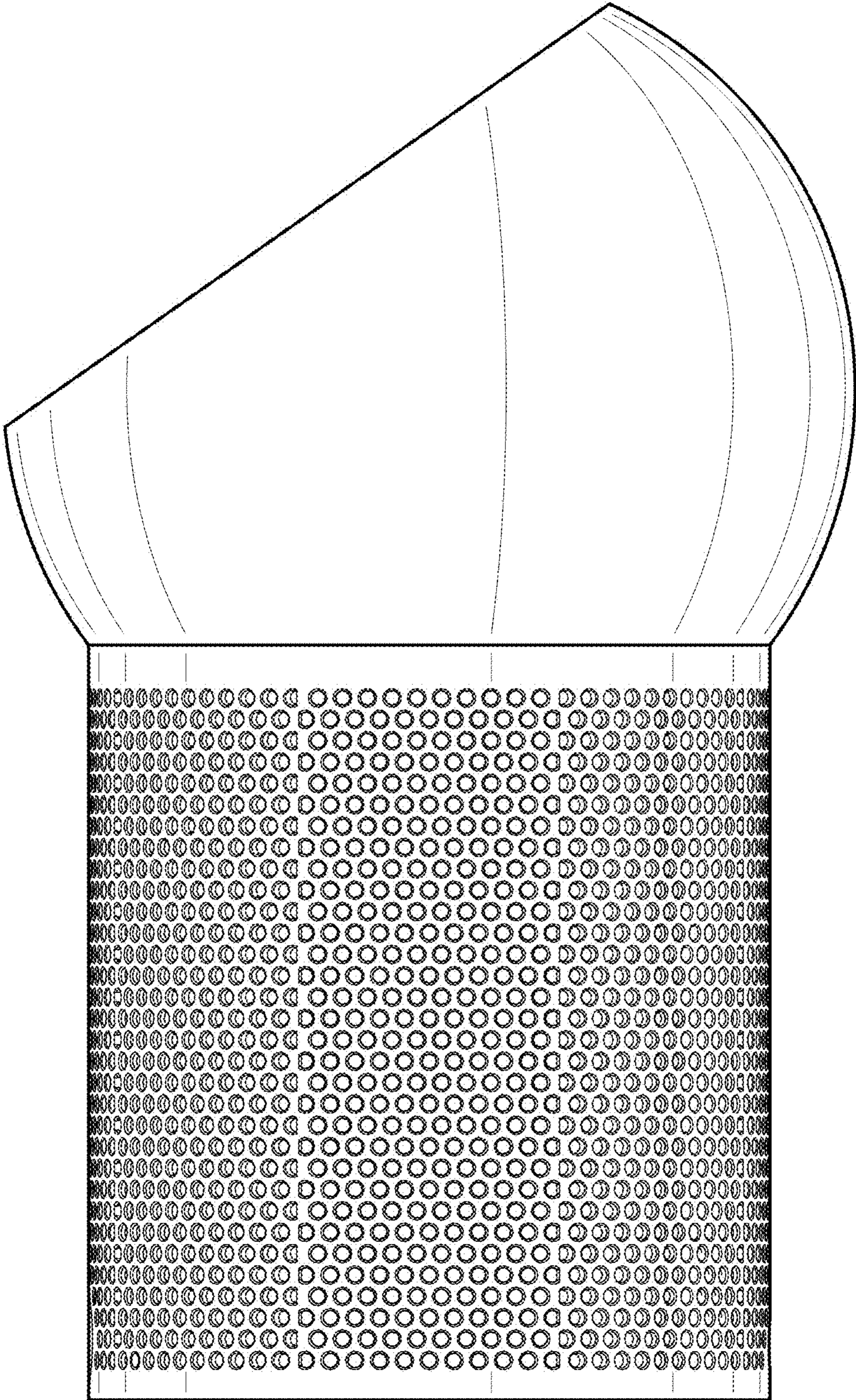


FIG. 5

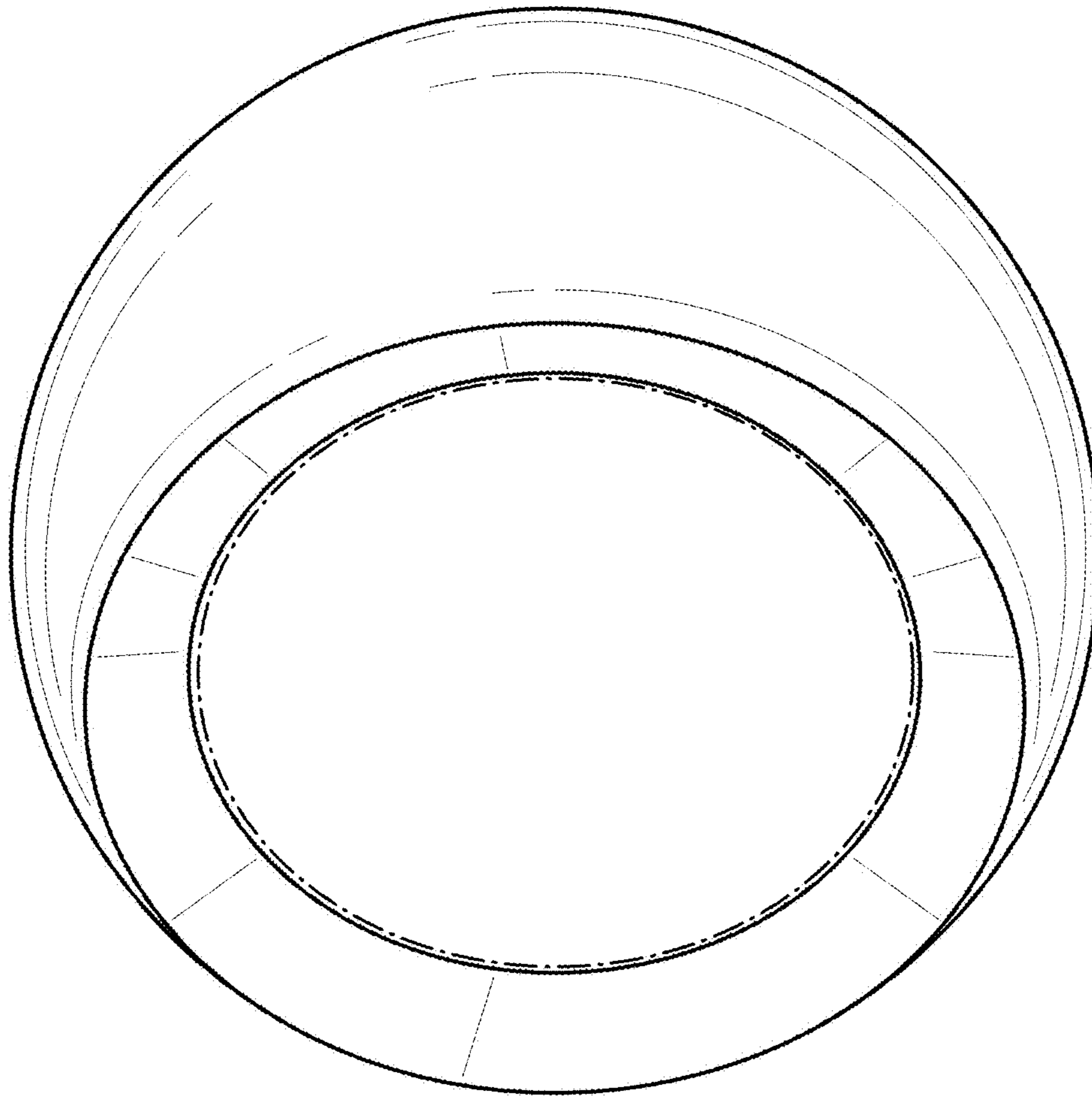


FIG. 6



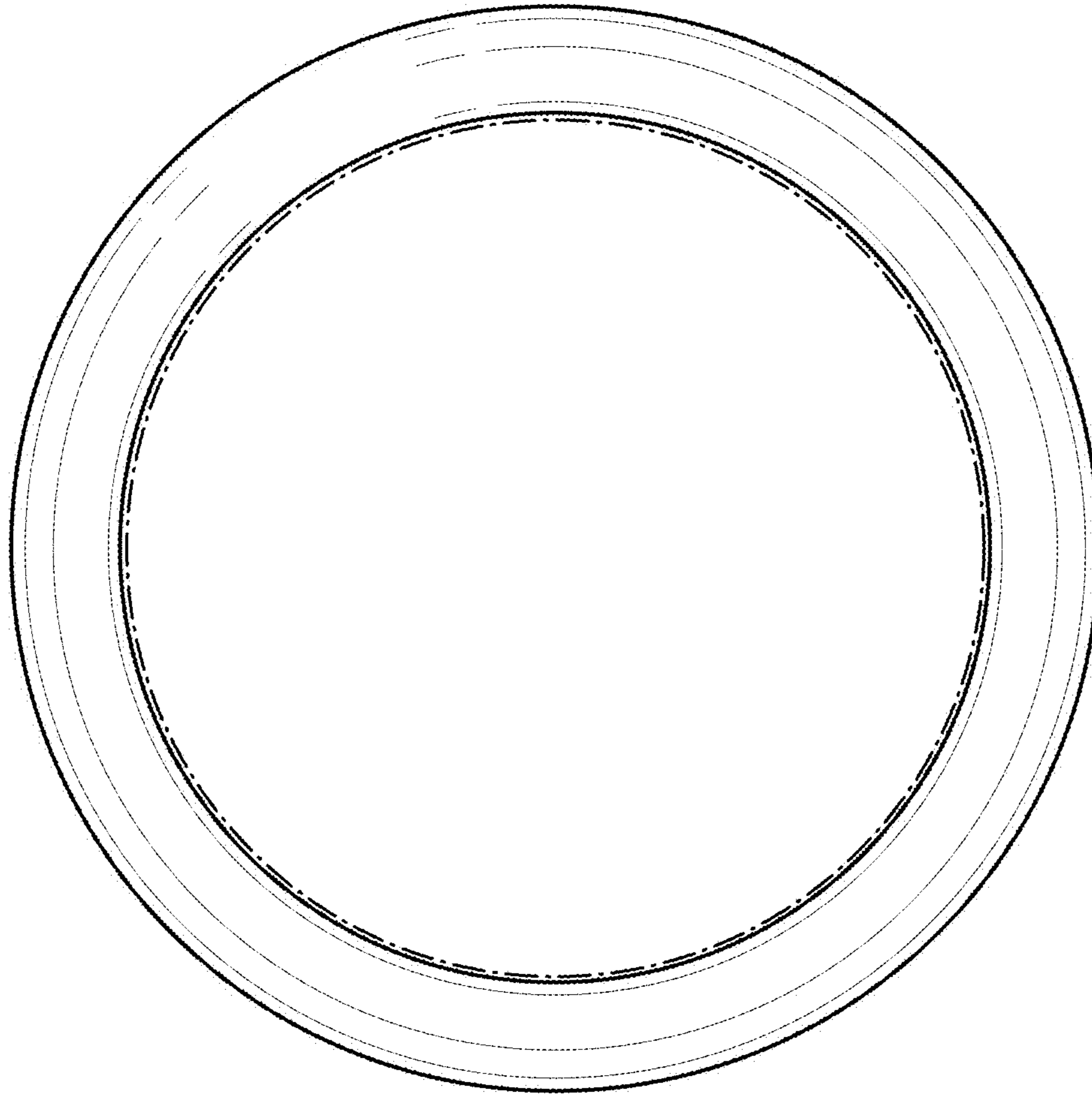


FIG. 7