



US00D890900S

(12) **United States Design Patent**
Bink et al.

(10) **Patent No.:** **US D890,900 S**
(45) **Date of Patent:** **** Jul. 21, 2020**

- (54) **AIR CLEANER COVER**
- (71) Applicant: **Kohler Co.**, Kohler, WI (US)
- (72) Inventors: **Benjamin J. Bink**, St. Cloud, WI (US);
Shankar Mathur Seetharaman,
Sheboygan, WI (US); **Alexander A.**
Yosick, Howards Grove, WI (US);
Steven M. Stenz, Plymouth, WI (US);
Bruce M. Lefeber, Plymouth, WI (US)
- (73) Assignee: **KOHLER CO.**, Kohler, WI (US)
- (**) Term: **15 Years**
- (21) Appl. No.: **29/621,368**
- (22) Filed: **Oct. 6, 2017**
- (51) **LOC (12) Cl.** **23-04**
- (52) **U.S. Cl.**
USPC **D23/364**; D15/5
- (58) **Field of Classification Search**
USPC D12/107, 114, 115, 117, 126, 179, 182,
D12/223; D15/1-9, 9.1, 9.2; D23/364,
D23/365
CPC F02C 7/052; F02M 35/02; F02M 35/024
See application file for complete search history.

D600,252 S *	9/2009	Yan	D15/5
D679,289 S *	4/2013	Tiefenthaler	D15/5
D735,767 S *	8/2015	Andren	D15/5
D735,768 S *	8/2015	Andren	D15/5
D742,923 S *	11/2015	Andren	D15/5
D742,924 S *	11/2015	Andren	D15/5
D800,784 S *	10/2017	Collins	D15/5

OTHER PUBLICATIONS

Briggs & Stratton Corporation, *Quiet Power Technology Series—Much Quieter, Far More Neighborly*, https://www.briggsandstratton.com/na/en_us/innovations/push-mowers/qpt-quiet-lawn-mower-engines.html, Copyright 2019, , pp. 1-4.

(Continued)

Primary Examiner — Michael C Stout
Assistant Examiner — Fritzgerald L Butac
(74) *Attorney, Agent, or Firm* — The Belles Group, P.C.

(57) **CLAIM**

The ornamental design for an air cleaner cover, as shown and described.

DESCRIPTION

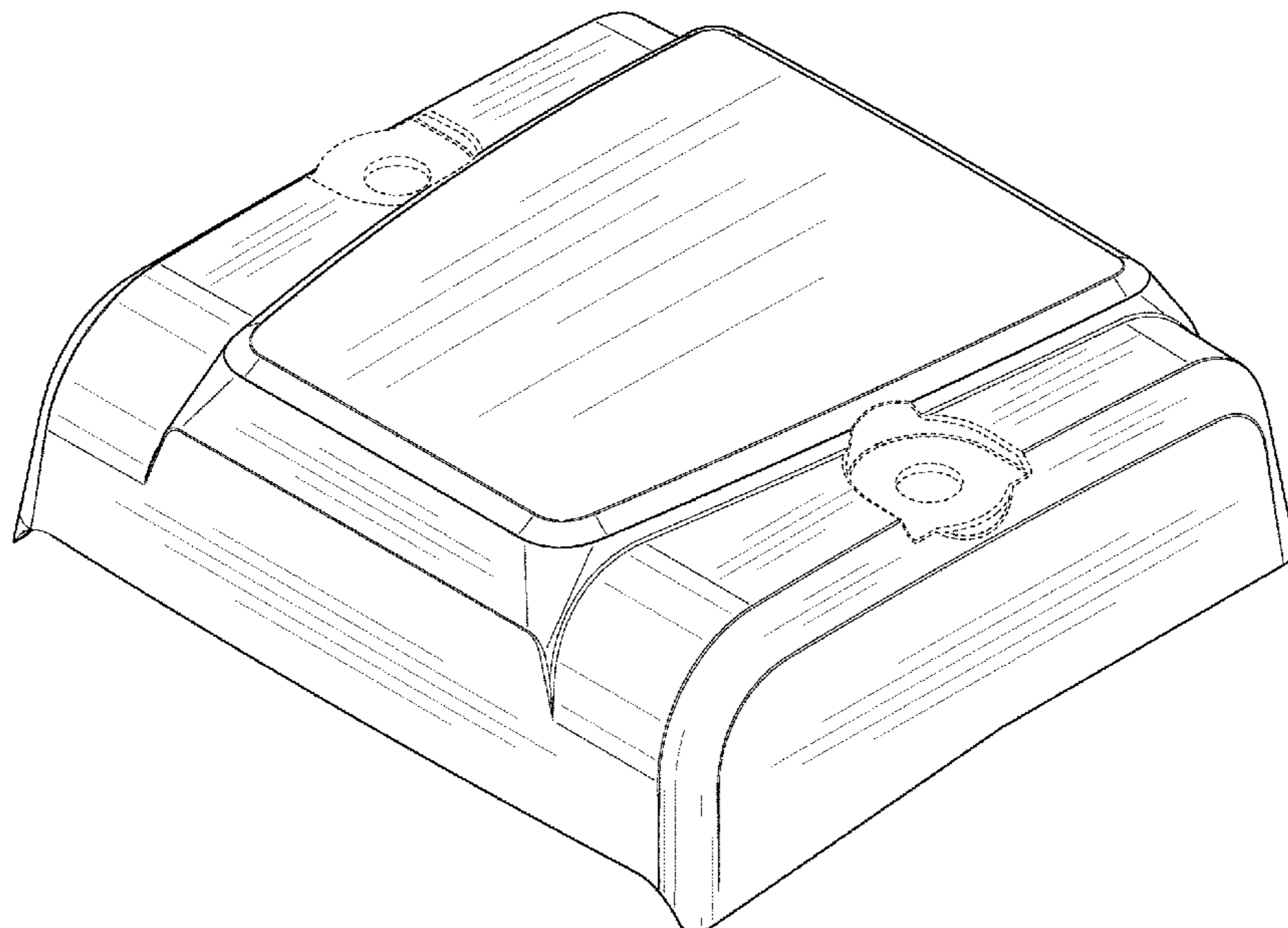
FIG. 1 is a front-right perspective view of an air cleaner cover according to the new design;
FIG. 2 is a front-left perspective view thereof;
FIG. 3 is a rear-left perspective view thereof;
FIG. 4 is a rear-right perspective view thereof;
FIG. 5 is a front elevation view thereof;
FIG. 6 is a rear elevation view thereof;
FIG. 7 is a right-side elevation view thereof;
FIG. 8 is a left-side elevation view thereof;
FIG. 9 is a top plan view thereof; and,
FIG. 10 is a bottom plan view thereof.
The broken lines show portions of an air cleaner cover which form no part of the claimed design.

1 Claim, 8 Drawing Sheets

(56) **References Cited**

U.S. PATENT DOCUMENTS

5,307,771 A *	5/1994	Stahel, II	F02M 35/162 123/198 E
D517,672 S *	3/2006	Schmitt	D15/5
D529,514 S *	10/2006	Maeda	D15/5
D529,925 S *	10/2006	Strandell	D15/5
D540,819 S *	4/2007	Schmitt	D15/5
D540,928 S *	4/2007	Matel	D15/5
D540,929 S *	4/2007	Kowis	D15/5
D541,303 S *	4/2007	Drew	D15/5
D560,275 S *	1/2008	Glass	D15/5



(56)

References Cited

OTHER PUBLICATIONS

Briggs & Stratton Corporation, *Just Check & Add Technology—Never Change the Oil—Ever*, https://www.briggsandstratton.com/na/en_us/innovations/push-mowers/just-check-and-add-technology.html, Copyright 2019, pp. 1-9.

Briggs & Stratton Corporation, *InStart Technology—Effortless starting, every time. Skip pulling the rope, just push the button and go*, https://www.briggsandstratton.com/na/en_us/innovations/push-mowers/instart.html, Copyright 2019, pp. 1-2.

Briggs & Stratton Corporation, *Professional Series (Single Cylinder)—High Performance and Extended Durability*, https://www.briggsandstratton.com/na/en_us/product-catalog/engines/riding-lawn-mower-engines/professional-series-single-cylinder.html, Copyright 2019, pp. 1-11.

Briggs & Stratton Corporation, *Professional Series Engines—Professional features, homeowner friendly*, https://www.briggsandstratton.com/na/en_us/product-catalog/engines/push-mower-engines/professional-series-engines.html, Copyright 2019, pp. 1-13.

Briggs & Stratton Corporation, *XR1150 Professional Snow—Series*, https://www.briggsandstratton.com/na/en_us/product-catalog/engines/utility-engines/xr1150-professional-series.html, Copyright 2019, pp. 1-10.

Vanguard Commercial Power, *16.0 Gross HP—Advanced Debris Management*, https://www.vanguardengines.com/na/en_us/product-catalog/engines/small-block-vtwin-vertical-shaft/vanguard-160-gross-hp.html, 2019, pp. 1-5.

* cited by examiner

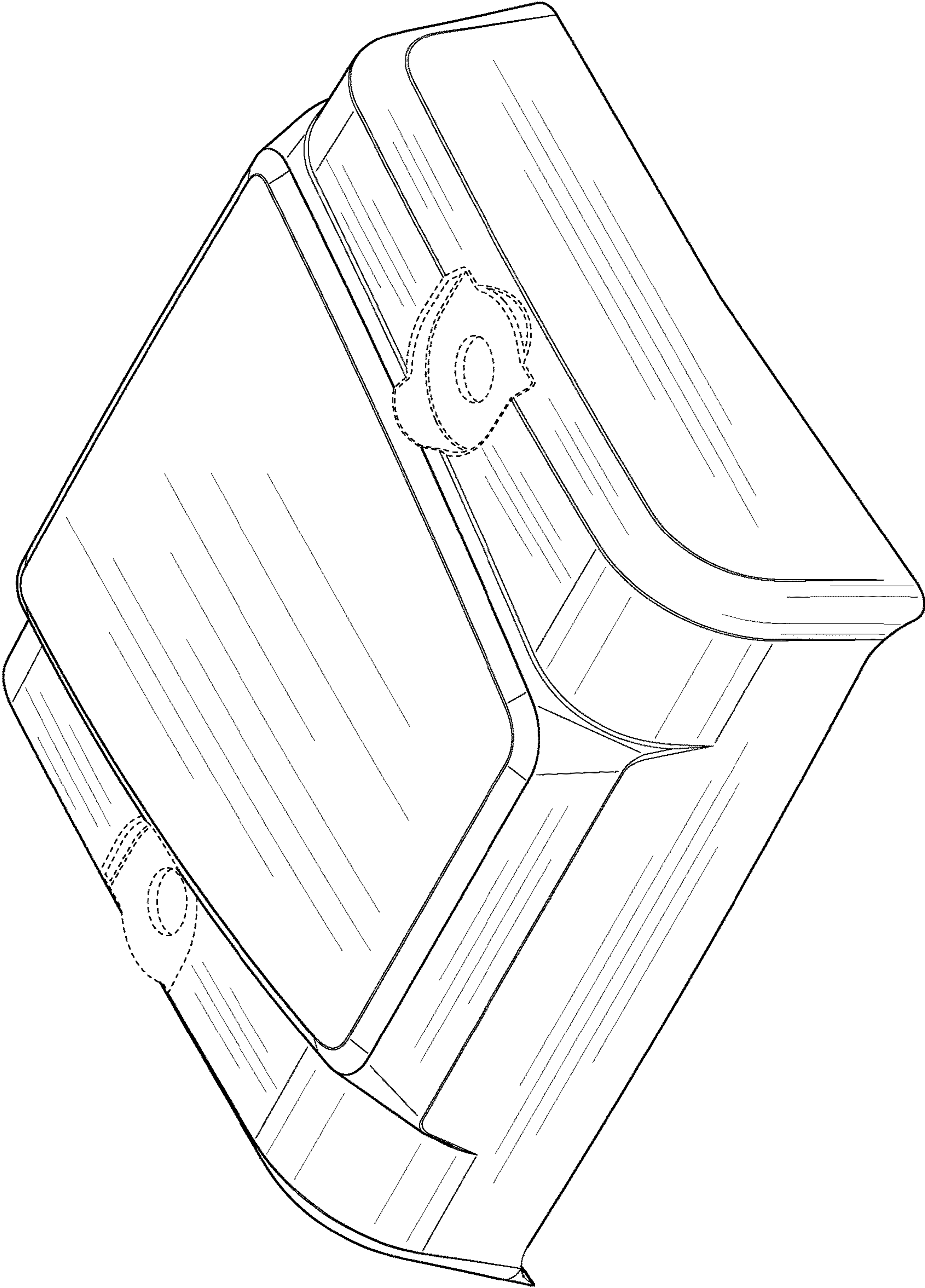


FIG. 1

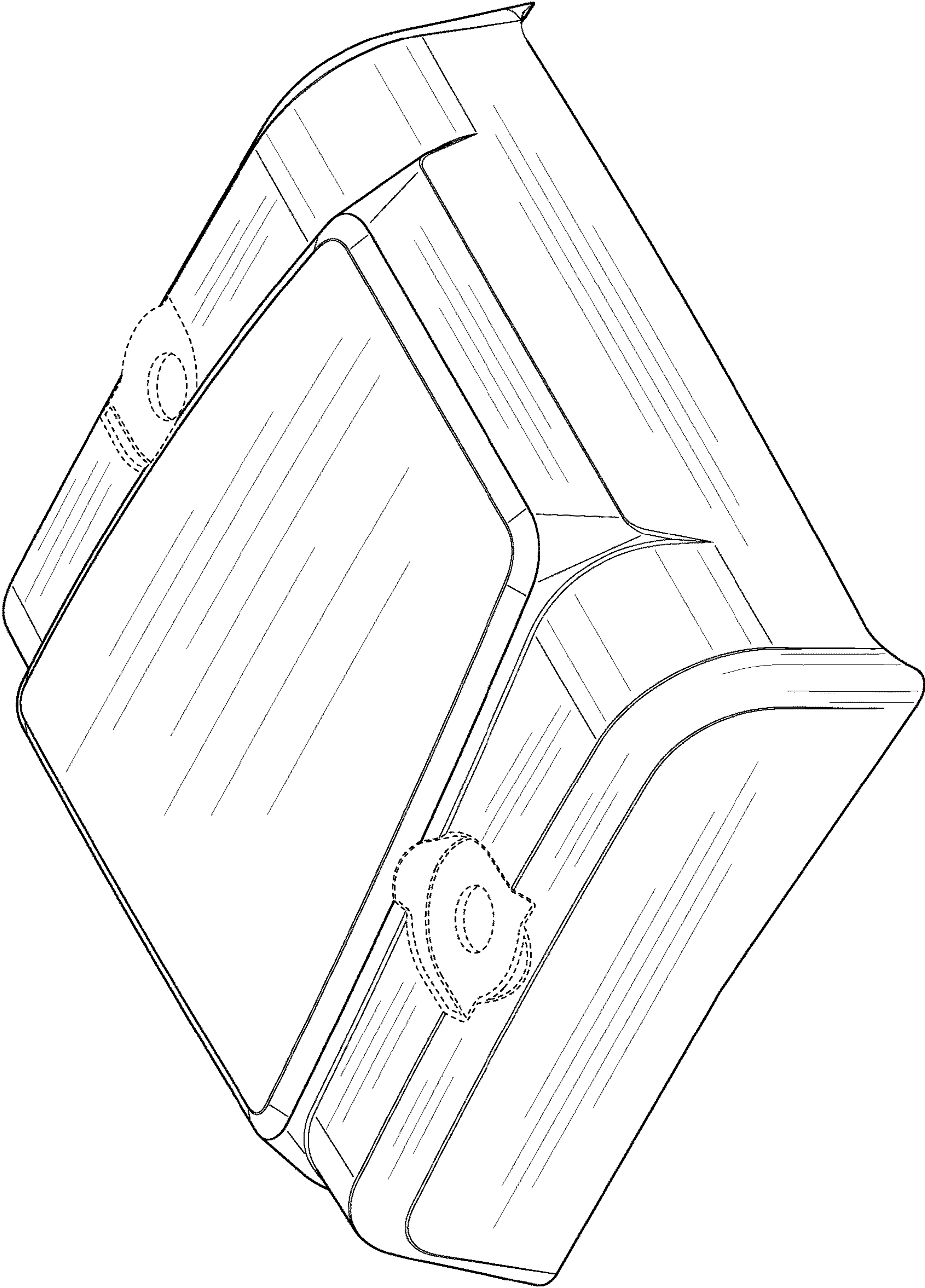


FIG. 2

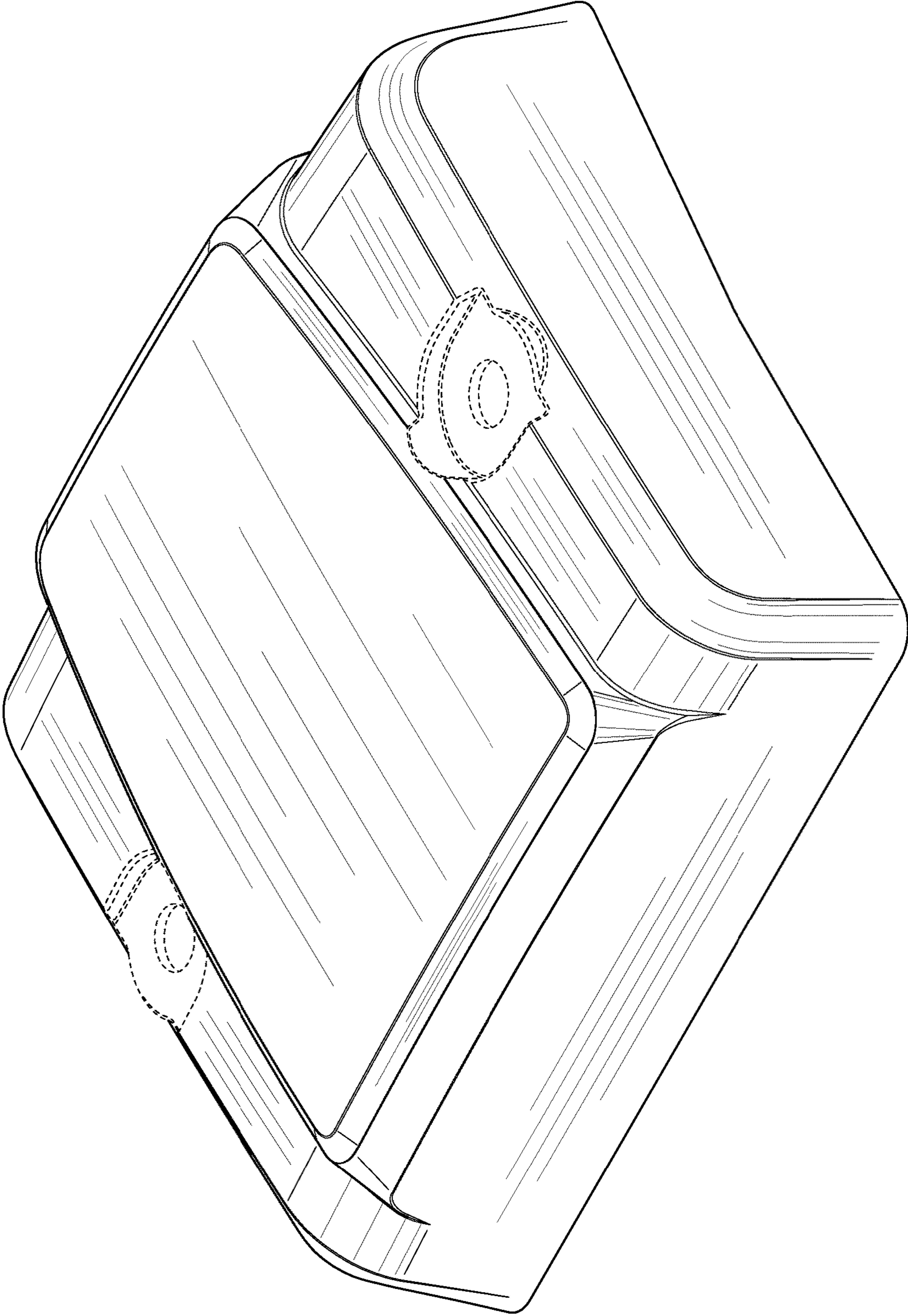


FIG. 3

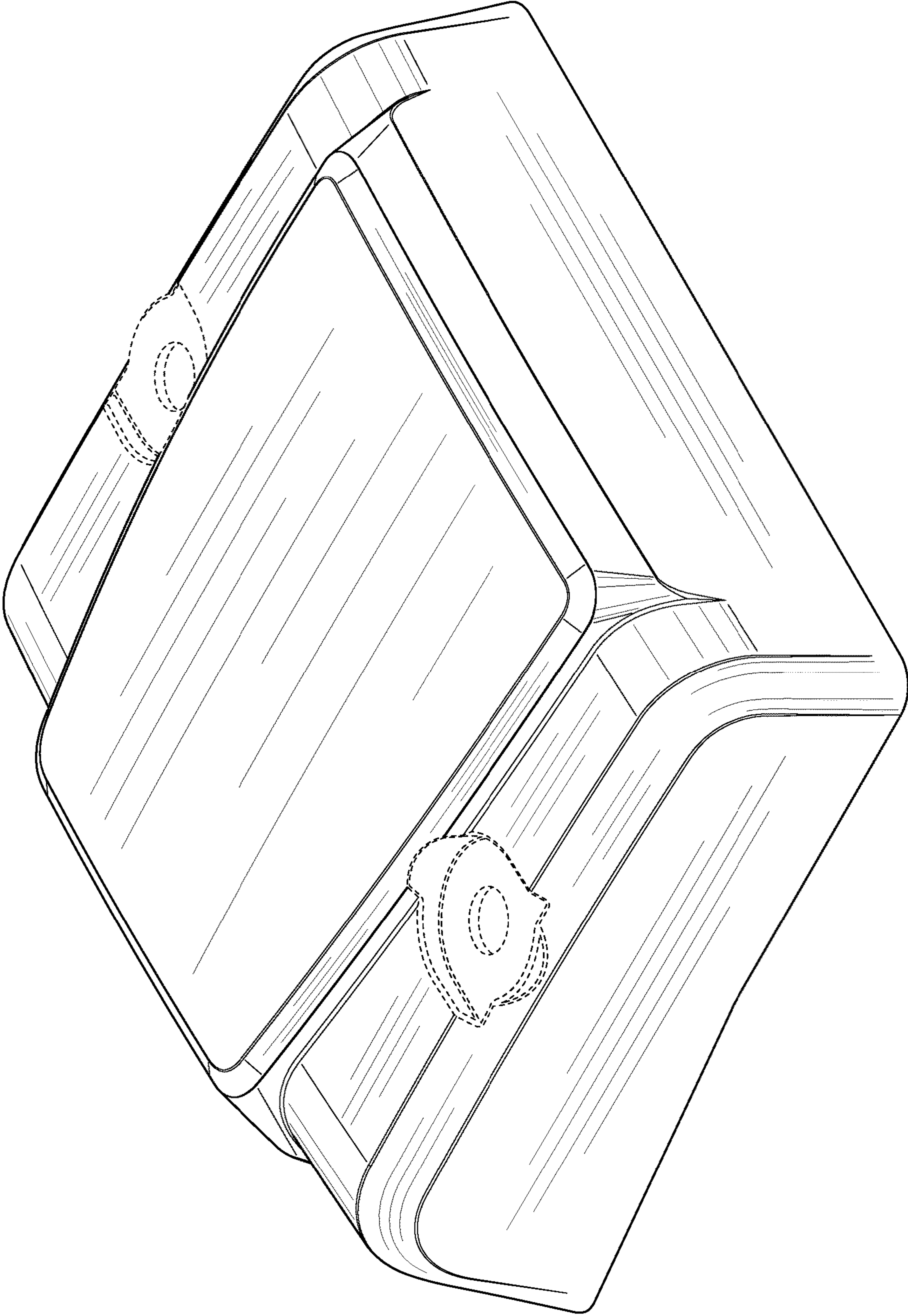


FIG. 4

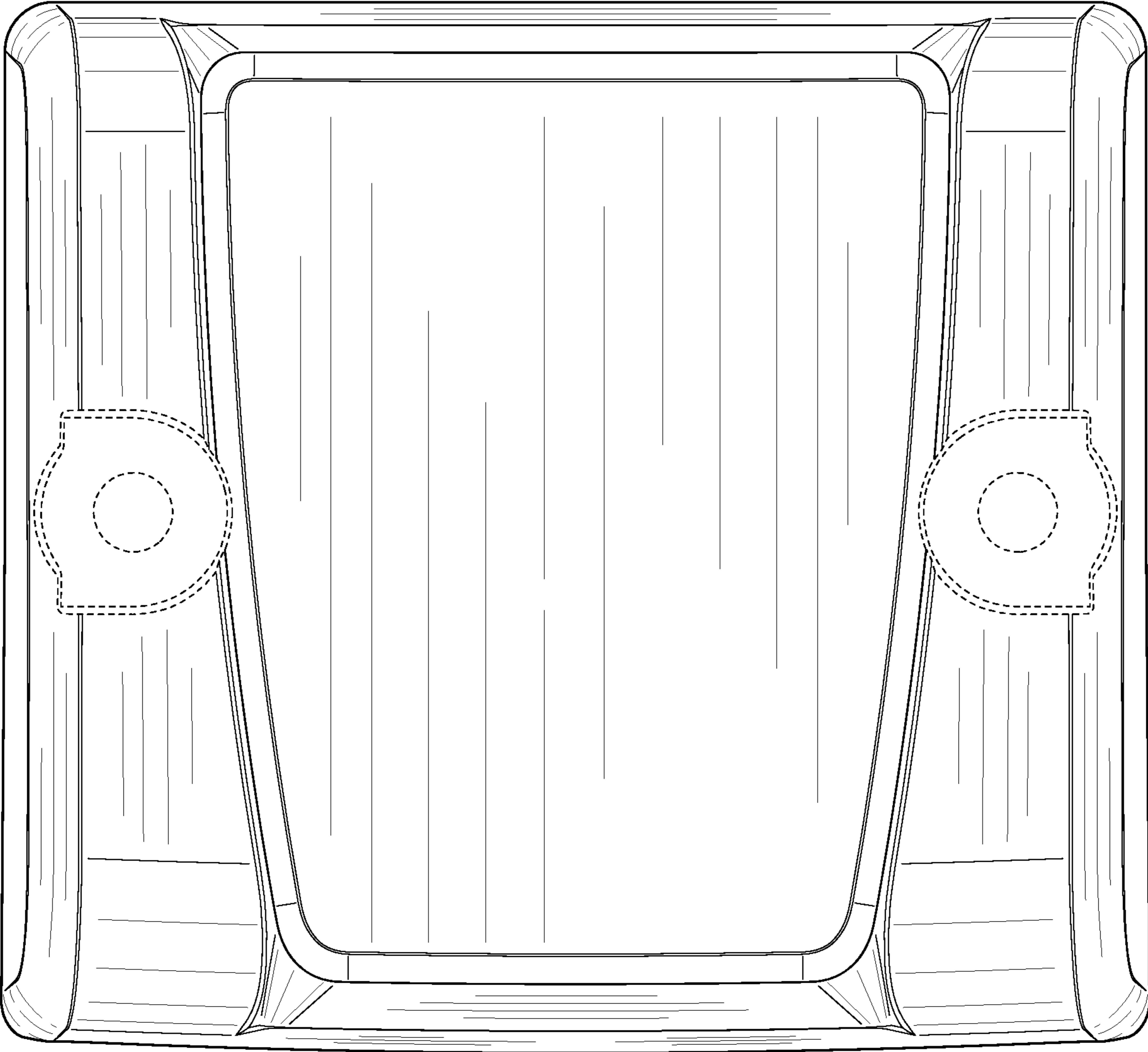


FIG. 5

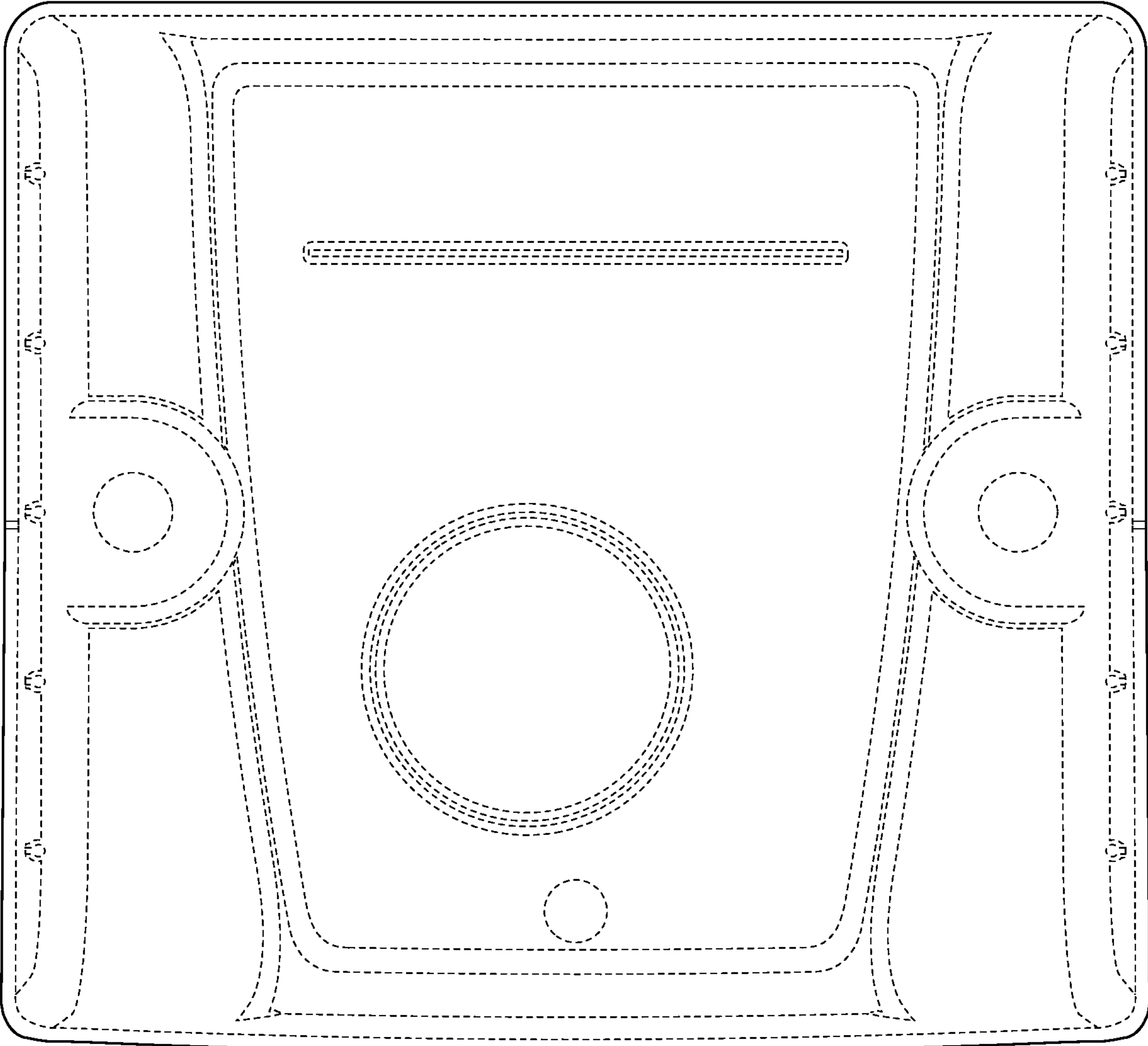


FIG. 6

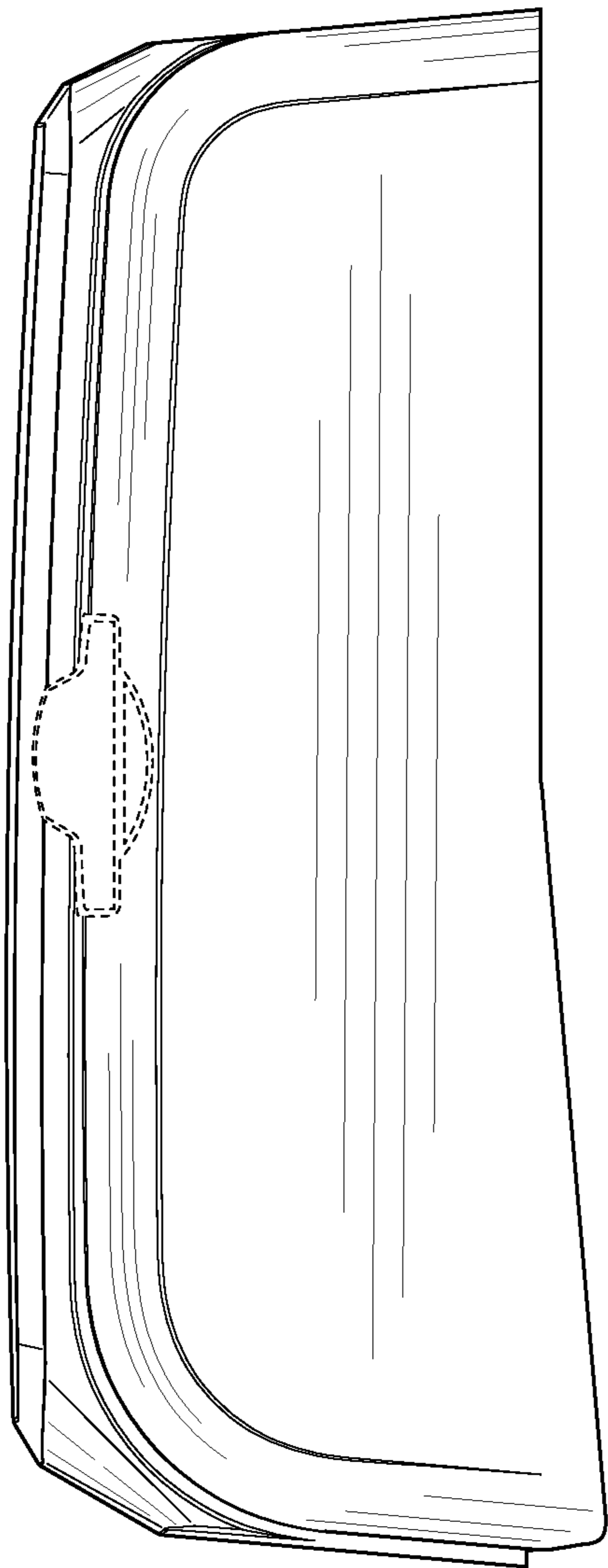


FIG. 7

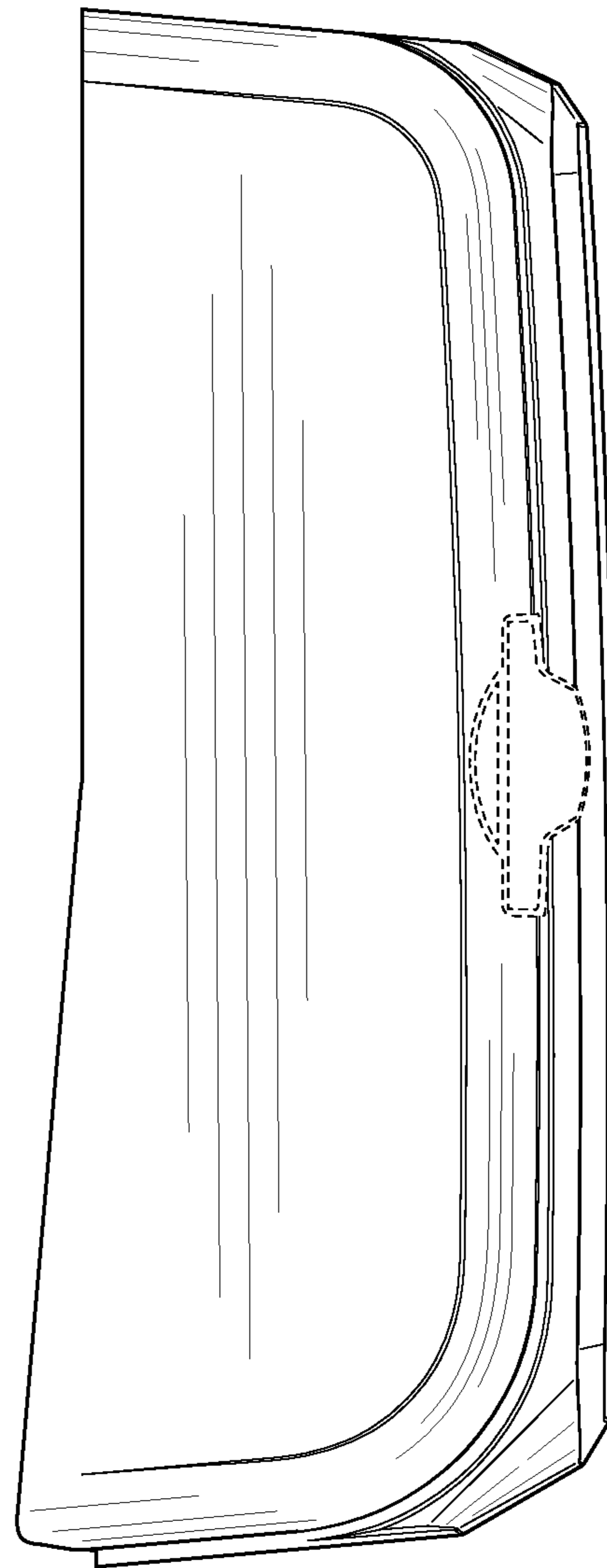


FIG. 8

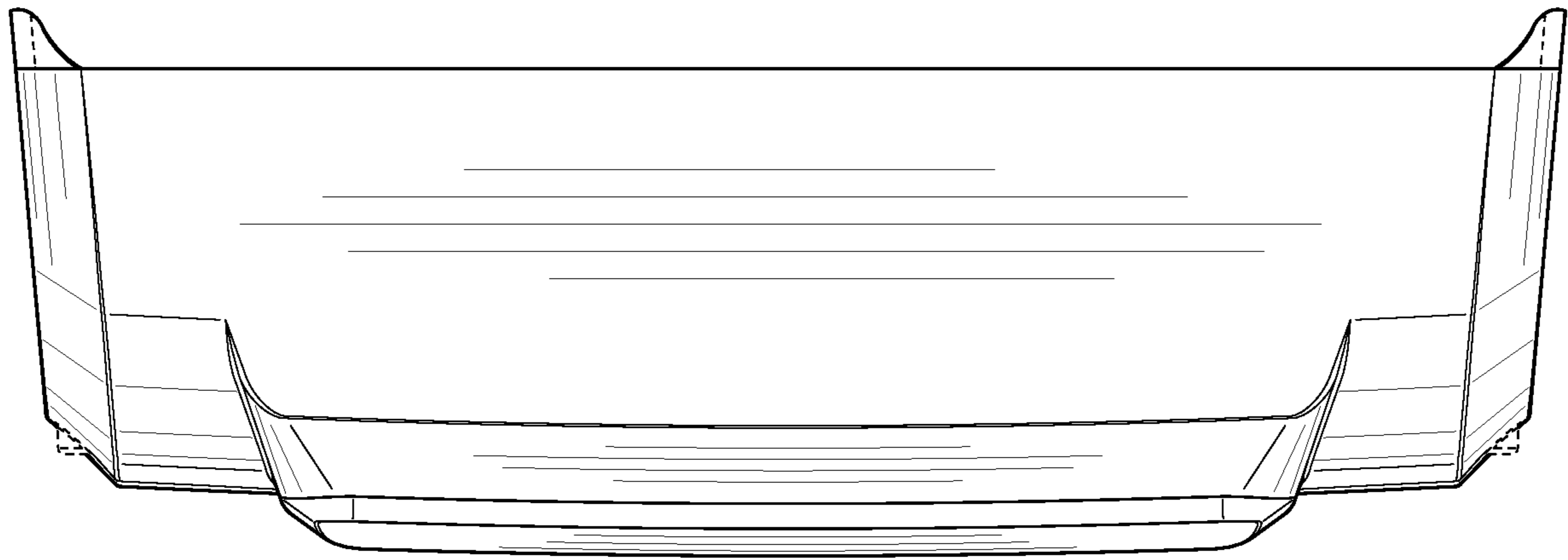


FIG. 9

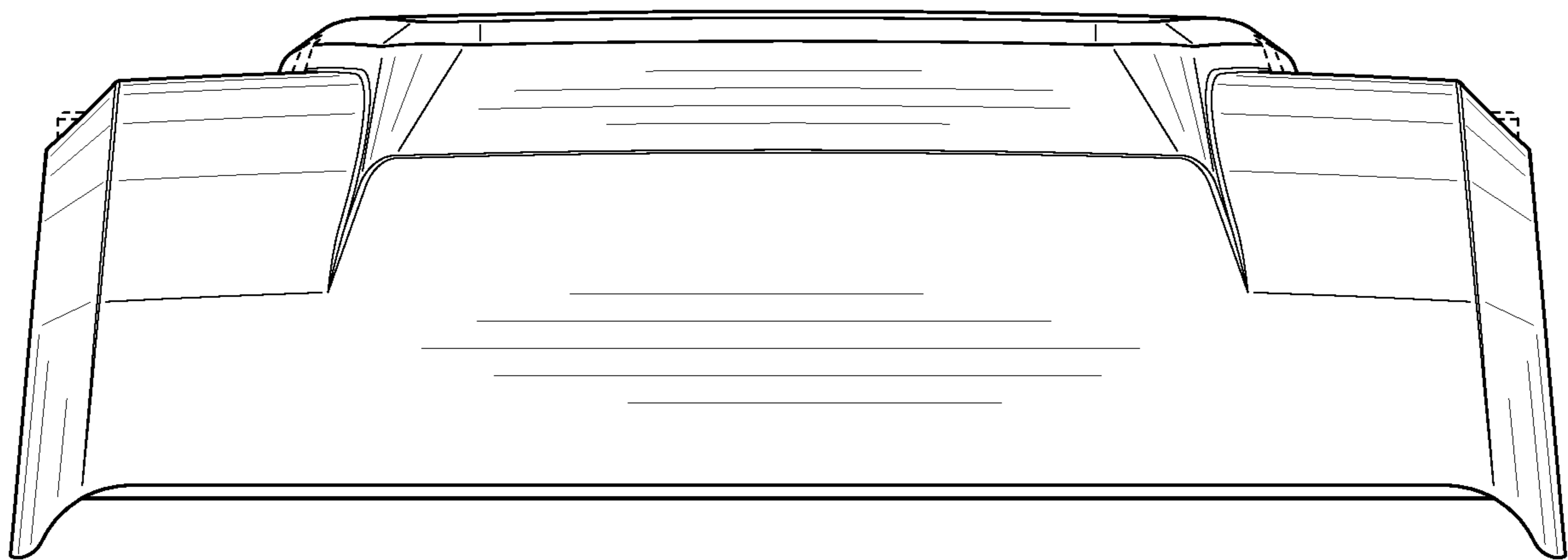


FIG. 10