



US00D890899S

(12) **United States Design Patent**
Read et al.

(10) **Patent No.:** **US D890,899 S**
(45) **Date of Patent:** **** Jul. 21, 2020**

(54) **HUMIDIFIER**

(71) Applicant: **Ademco Inc.**, Golden Valley, MN (US)

(72) Inventors: **Travis Read**, Little Canada, MN (US);
Aleyse McNealy, St. Louis Park, MN (US); **Jonathan Erbacher**,
Minneapolis, MN (US); **Rajat Shail**,
Chicago, IL (US)

(73) Assignee: **Ademco Inc.**, Golden Valley, MN (US)

(**) Term: **15 Years**

(21) Appl. No.: **29/592,581**

(22) Filed: **Jan. 31, 2017**

(51) **LOC (12) Cl.** **23-04**

(52) **U.S. Cl.**
USPC **D23/357**

(58) **Field of Classification Search**
USPC D23/355-359, 361, 363, 364
CPC B01D 53/00; B01D 53/02; B01D 53/04;
B01D 53/26; B01D 53/002; B01D
53/005; B01D 1/00; B01D 1/02; B01D
1/04; B01D 1/06; B01D 1/22; B01F 3/04
See application file for complete search history.

(56) **References Cited**

U.S. PATENT DOCUMENTS

| | | | |
|--------------|---------|------------------|---------|
| D253,845 S | 1/1980 | Morrow | |
| D253,846 S | 1/1980 | Morrow | |
| D254,750 S | 4/1980 | Myklebust et al. | |
| D261,422 S | 10/1981 | Morrow | |
| D269,996 S * | 8/1983 | Smith | D23/364 |
| D279,815 S | 7/1985 | Yuen | |
| D280,660 S * | 9/1985 | Muchenberger | D23/357 |
| D288,597 S | 3/1987 | Young Se | |
| D294,292 S | 2/1988 | Suzuki | |
| D309,656 S | 7/1990 | Lee | |
| D311,952 S * | 11/1990 | Sieber | D23/356 |

| | | | |
|--------------|---------|-------------------|---------|
| D312,303 S * | 11/1990 | Gustavsson | D23/359 |
| D320,440 S | 10/1991 | Chiu | |
| D321,048 S | 10/1991 | Chiu | |
| D322,121 S | 12/1991 | Chiu | |
| D322,122 S | 12/1991 | Guetersloh et al. | |
| D328,342 S | 7/1992 | Pasch et al. | |

(Continued)

OTHER PUBLICATIONS

Amazon.com: Honeywell HM750A1000 Electrode Steam Humidifier. Published Dec. 10, 2018. Retrieved from the internet at <https://www.amazon.com/Honeywell-HM750A1000-Electrode-Steam-Humidifier/dp/B074R5RZSJ/. Jun. 9, 2019. 1 page. (Year: 2018).*

(Continued)

Primary Examiner — Rosemary K Tarcza

Assistant Examiner — Christy M Nemeth

(74) *Attorney, Agent, or Firm* — Shumaker & Sieffert, P.A.

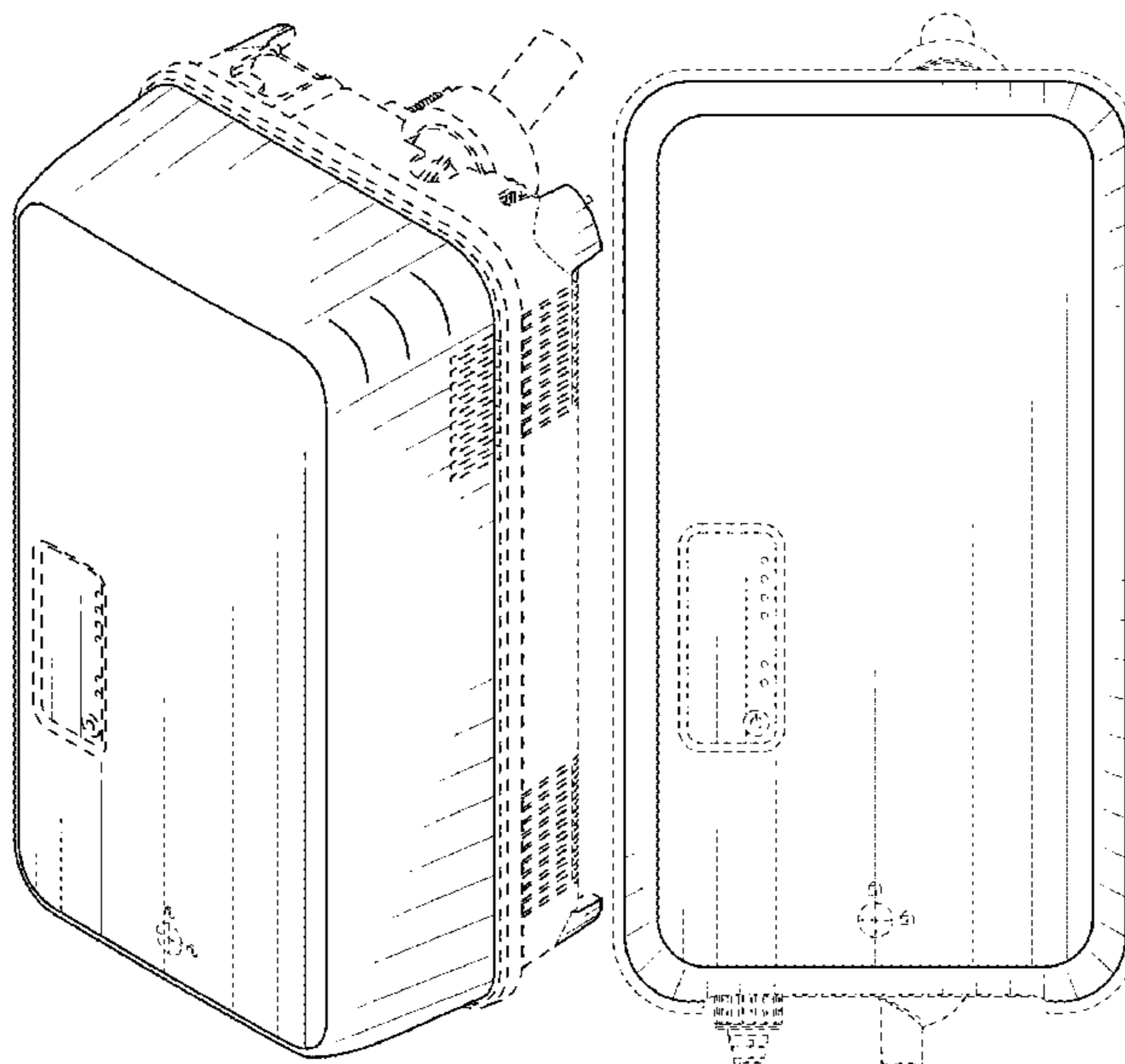
(57) **CLAIM**

The ornamental design for a humidifier, as shown and described.

DESCRIPTION

FIG. 1 is a perspective view of a humidifier; FIG. 2 is a front elevation view of the humidifier of FIG. 1; FIG. 3 is a left side view of the humidifier of FIG. 1; FIG. 4 is a right side view of the humidifier of FIG. 1; FIG. 5 is a top plan view of the humidifier of FIG. 1; and, FIG. 6 is a bottom plan view of the humidifier of FIG. 1. The broken lines in the drawings are for the purpose of illustrating portions of the humidifier that form no part of the claimed design. Surfaces forming part of the claimed design are defined by shaded surfaces; broken lines immediately adjacent shaded surfaces represent boundaries of the claim and form no part thereof; dash-dot lines represent boundaries of the claim and form no part thereof.

1 Claim, 5 Drawing Sheets



(56)

References Cited

U.S. PATENT DOCUMENTS

D342,989 S 1/1994 Wallen
 D359,552 S 6/1995 Chiu et al.
 D374,070 S 9/1996 Tomasiak et al.
 D374,479 S 10/1996 Bucher et al.
 D376,639 S 12/1996 Moore
 D378,607 S 3/1997 Chiu et al.
 D378,778 S 4/1997 Jane et al.
 D385,342 S 10/1997 Jane et al.
 D422,690 S * 4/2000 Rakocy D23/364
 D550,343 S * 9/2007 Chen D23/364
 D578,632 S * 10/2008 Chen D23/364
 D605,272 S * 12/2009 Chun D23/359
 D608,433 S * 1/2010 Murai D23/364
 D621,019 S 8/2010 Kim et al.
 D630,310 S 1/2011 Beland et al.
 D631,145 S 1/2011 Beland et al.
 D634,828 S * 3/2011 Nakamura D23/355
 D644,312 S * 8/2011 Tsuji D23/364
 D645,130 S * 9/2011 Goldstein D23/356
 8,181,939 B2 * 5/2012 Yoon F24F 3/1405
 261/30
 D683,839 S * 6/2013 Yamashita D23/364
 D684,247 S * 6/2013 Chouji D23/364
 D687,532 S * 8/2013 Choi D23/364
 D702,825 S * 4/2014 Satou D23/364
 D735,845 S * 8/2015 Huang D23/359
 D745,128 S * 12/2015 Farone D23/355

D759,797 S * 6/2016 Farone D23/355
 D783,793 S * 4/2017 Satou D23/364
 D786,415 S * 5/2017 Kim D23/359
 D799,015 S * 10/2017 Tang D23/364
 D801,502 S * 10/2017 Hu D23/355
 D803,368 S * 11/2017 Priester D23/364
 D810,258 S * 2/2018 You D23/358
 D810,259 S * 2/2018 You D23/364
 D810,906 S * 2/2018 Yoon D23/364
 D830,528 S * 10/2018 Zhou D23/364
 D834,165 S * 11/2018 Maeng D23/364
 D840,012 S * 2/2019 Zhou D23/359
 D841,783 S * 2/2019 Hu D23/264

OTHER PUBLICATIONS

Aprilaire, "Model 800 Residential Steam Humidifier, Owner's Manual," 9 pages, Jun. 2010.
 Honeywell, "HM700A1000 Electrode Steam Humidifier, Installation Instructions," 28 pages, Sep. 2015.
 Honeywell, "Steam Humidifier Professional Installation Instructions," 72 pages, Aug. 2014.
<https://www.google.com/search?q=water+leak+detector&source=lnms> . . . , "Humidifier Whole House—Google Search," 20 pages, printed Apr. 14, 2017.
 Nortec, "RH2 Installation and Operation Manual," 50 pages, Nov. 24, 2010.

* cited by examiner

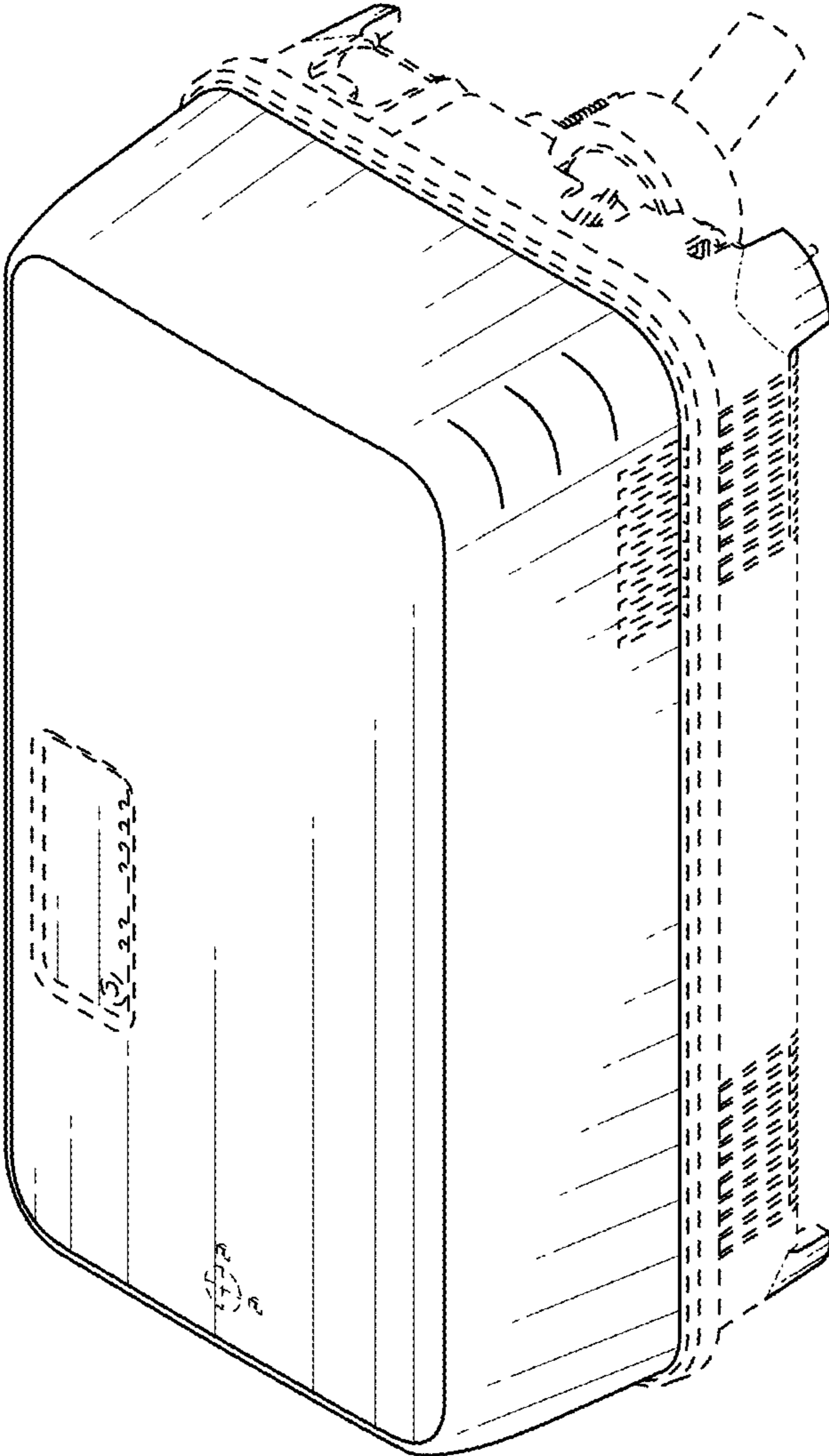


FIG. 1

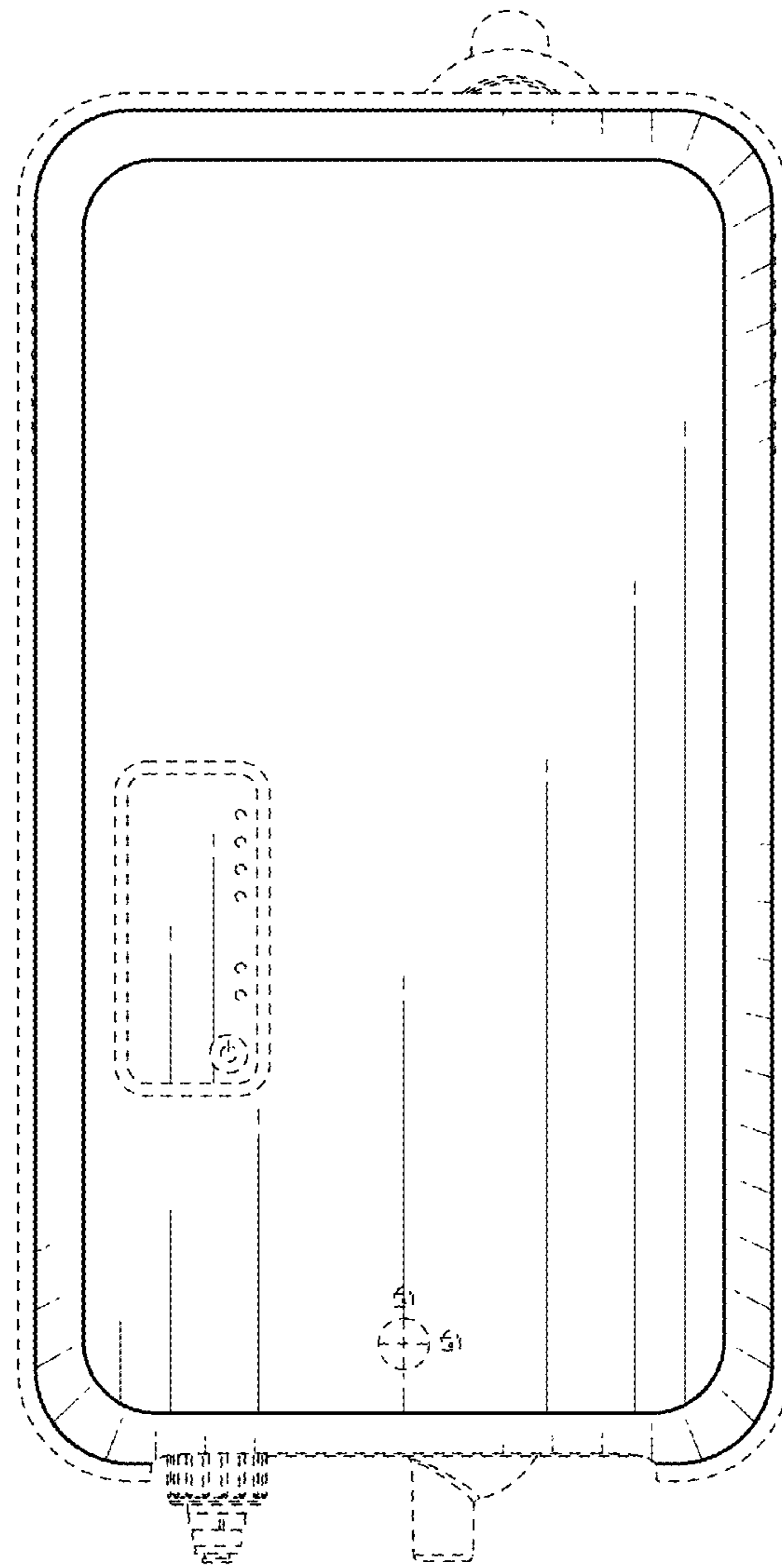


FIG. 2

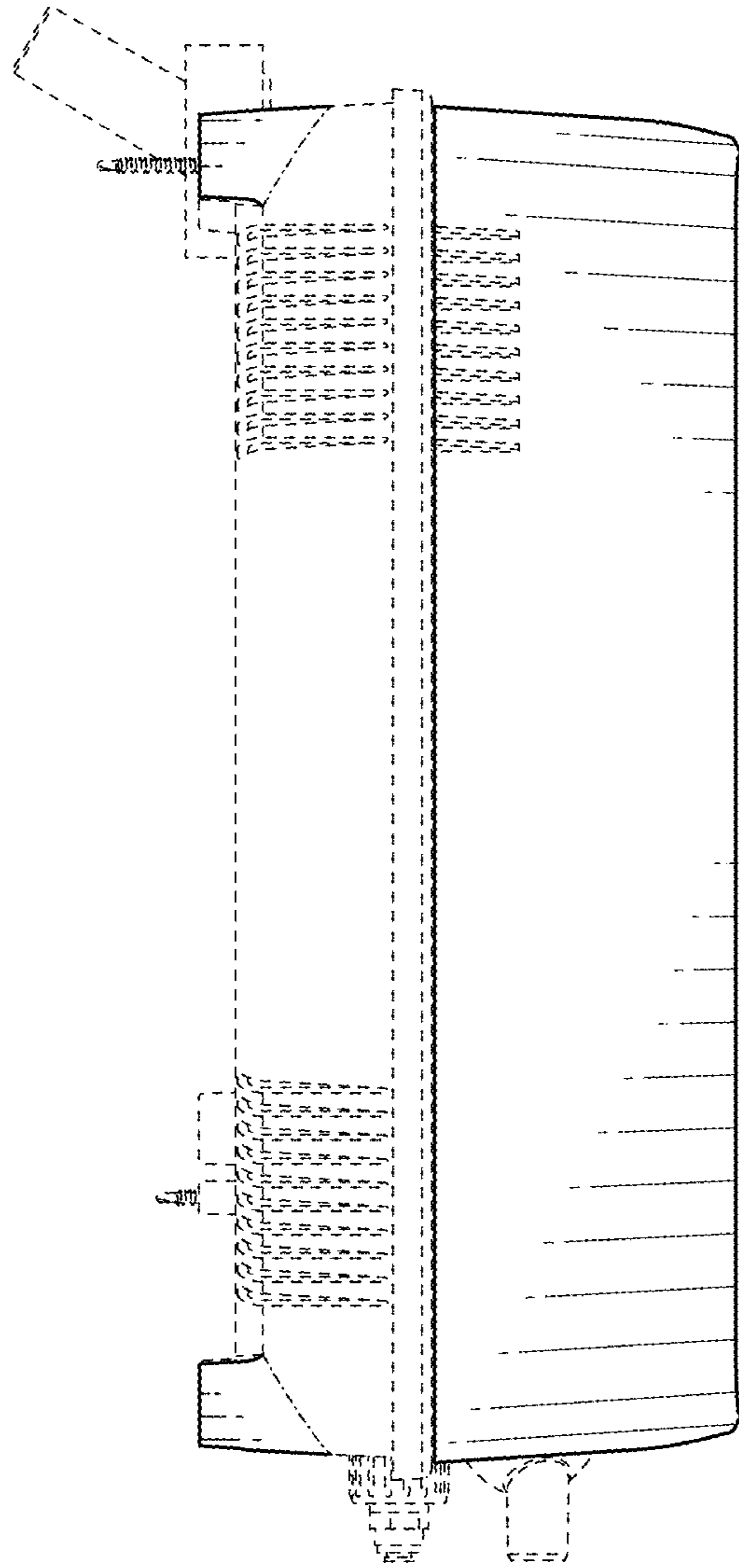


FIG. 3

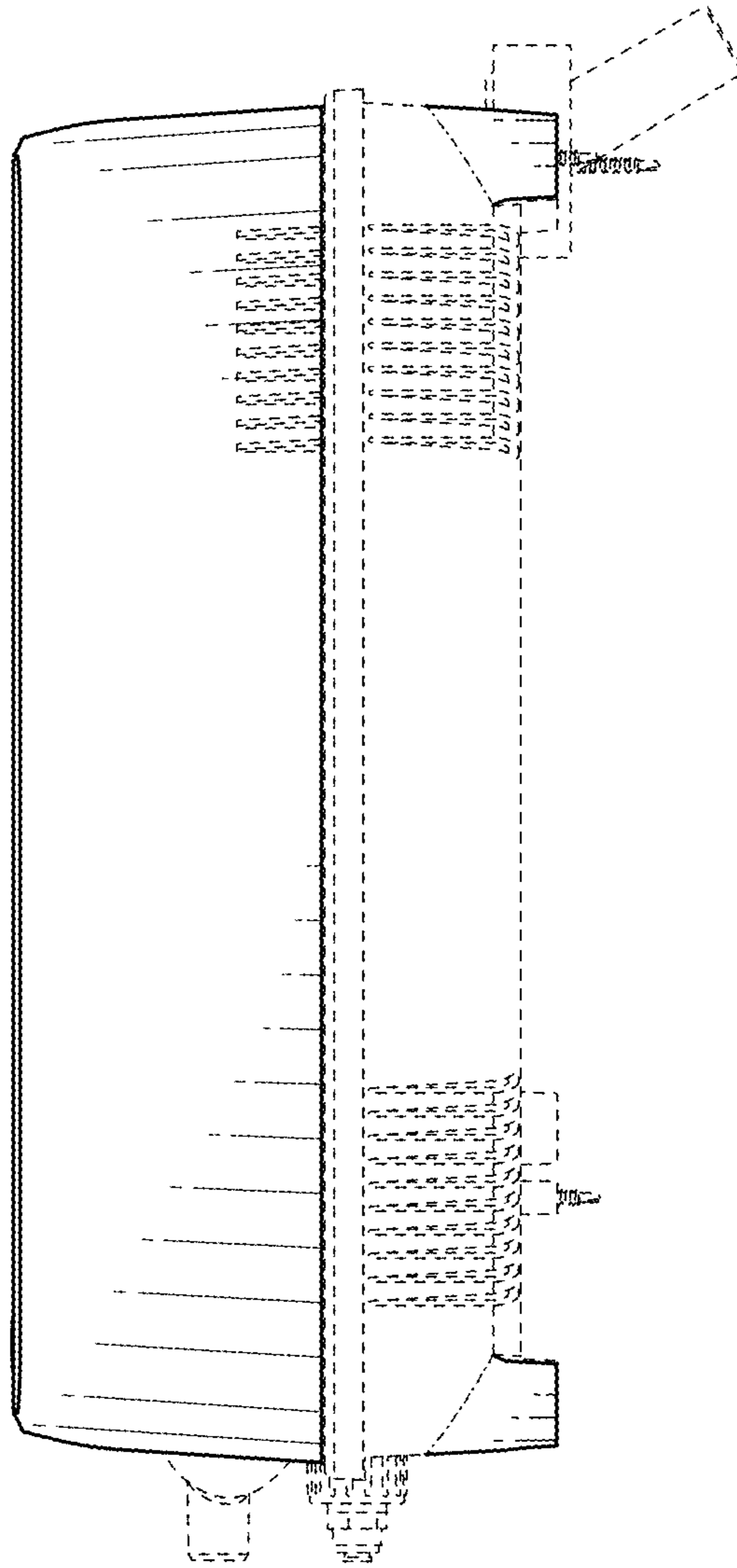


FIG. 4

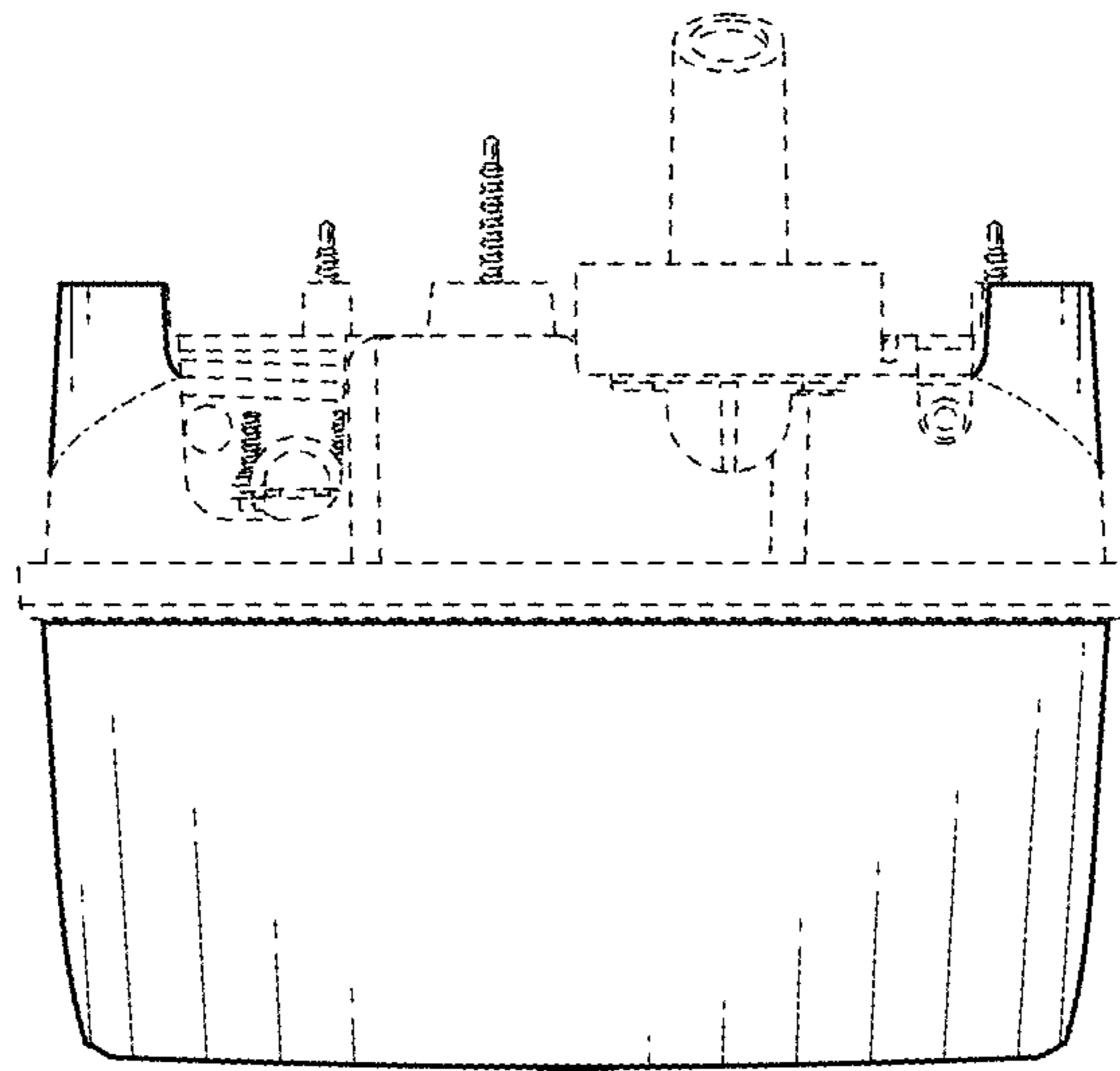


FIG. 5

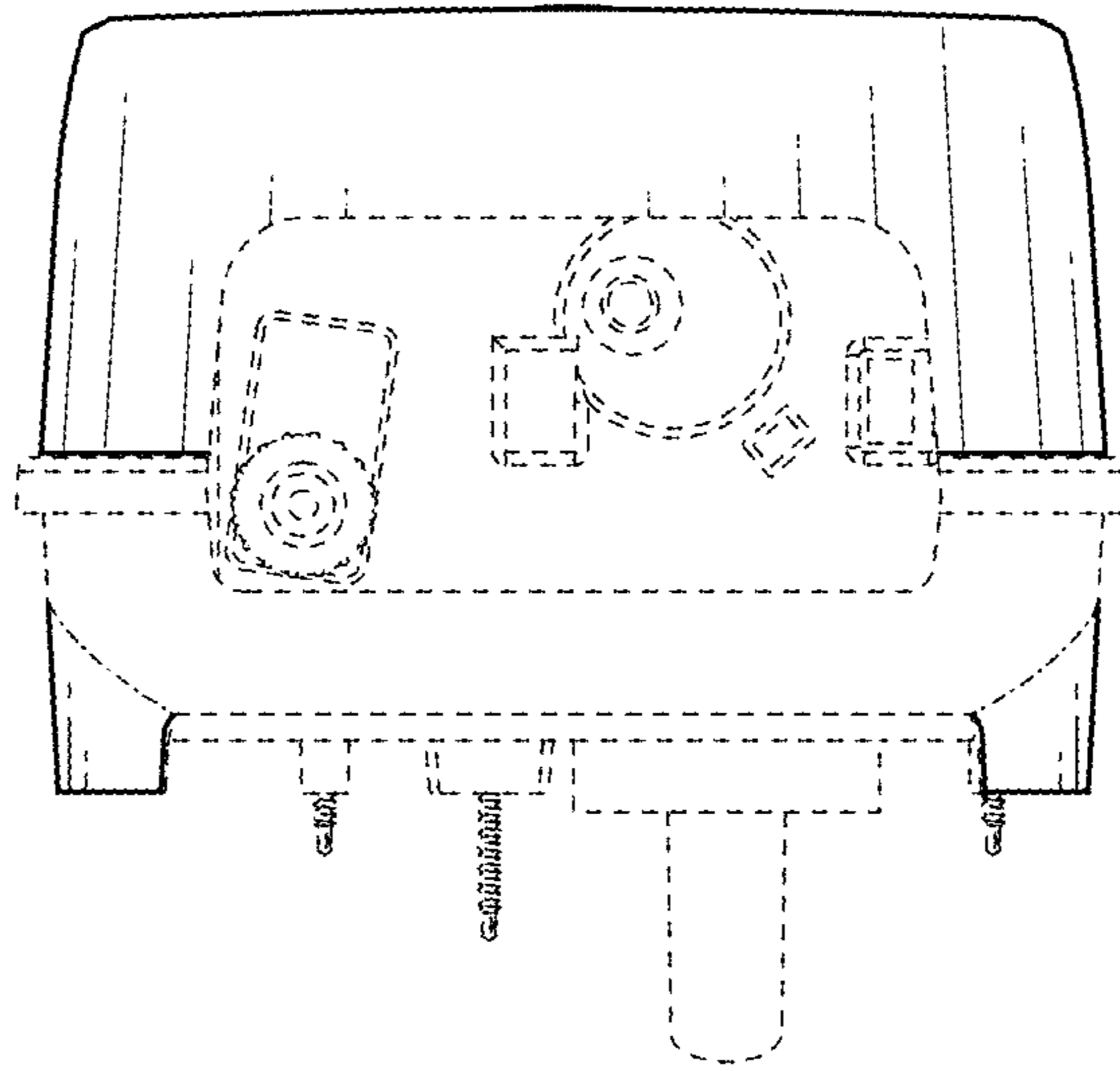


FIG. 6