



US00D890892S

(12) **United States Design Patent**  
**Borsellini**

(10) **Patent No.:** **US D890,892 S**

(45) **Date of Patent:** **\*\* Jul. 21, 2020**

- (54) **WASHBASIN**
- (71) Applicant: **Glass Design S.R.L., Vinci (FI) (IT)**
- (72) Inventor: **Gian Luca Borsellini, Vinci (IT)**
- (73) Assignee: **Glass Design S.R.L., Vinci (FI) (IT)**

- D690,166 S \* 9/2013 Montgomery ..... D7/586
- D697,597 S \* 1/2014 Garland ..... D23/293.1
- D753,277 S \* 4/2016 Wobbrock ..... D23/284
- D813,361 S \* 3/2018 Krahn ..... D23/308
- D842,441 S \* 3/2019 Quinn ..... D23/293.1
- D842,973 S \* 3/2019 Salomon ..... D23/293.1
- D849,896 S \* 5/2019 Salomon ..... D23/293.1

(\*\*) Term: **15 Years**

\* cited by examiner

(21) Appl. No.: **29/723,198**

*Primary Examiner* — Robert A Delehanty

(22) Filed: **Feb. 5, 2020**

(74) *Attorney, Agent, or Firm* — Nancy J. Flint, Attorney at Law, P.A.; Nancy J. Flint, Esq.

**Related U.S. Application Data**

(62) Division of application No. 29/648,711, filed on May 23, 2018, now Pat. No. Des. 882,049.

(51) **LOC (12) Cl.** ..... **23-02**

(52) **U.S. Cl.**  
USPC ..... **D23/284**

(58) **Field of Classification Search**  
USPC ..... D23/284, 293.1, 308, 285–286, 303;  
D7/584, 586

See application file for complete search history.

(56) **References Cited**

**U.S. PATENT DOCUMENTS**

- D598,994 S \* 8/2009 Aso ..... D23/293.1
- D603,487 S \* 11/2009 Aso ..... D23/293.1
- D630,308 S \* 1/2011 Webb ..... D23/293.1

(57) **CLAIM**

The ornamental design for a washbasin, as shown and described.

**DESCRIPTION**

FIG. 1 is a top perspective view of a washbasin showing my new design;

FIG. 2 is a top view of the washbasin;

FIG. 3 is a left side view of the washbasin;

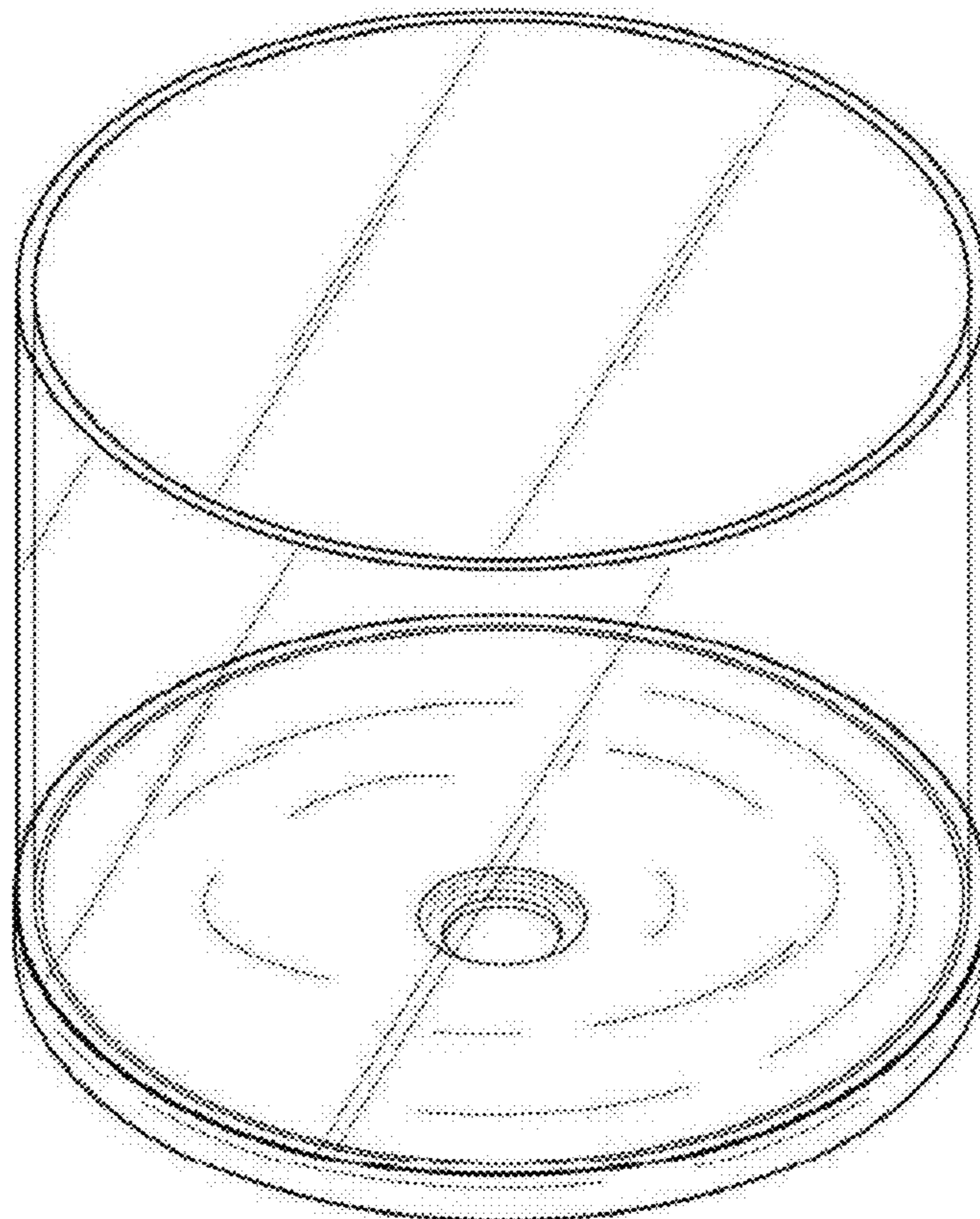
FIG. 4 is a bottom view of the washbasin;

FIG. 5 is a bottom perspective view of the washbasin; and,

FIG. 6 is a cross-sectional view of the washbasin along line A-A.

Right side, front and rear views not shown are mirror images of the left side view. Hatch lines in FIG. 6 depict internal structure not visible from the exterior that do not form part of the design sought to be patented.

**1 Claim, 6 Drawing Sheets**



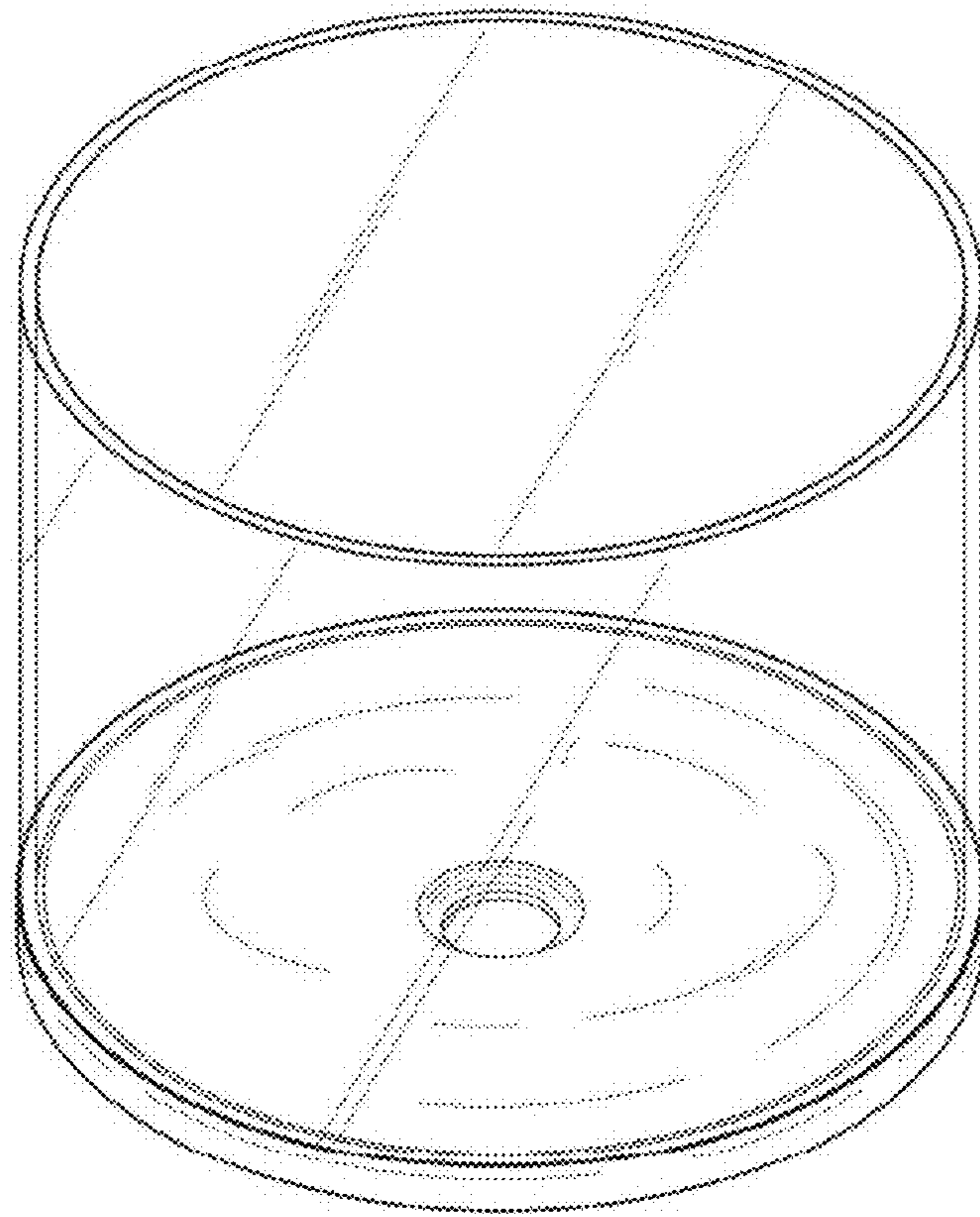


FIG. 1

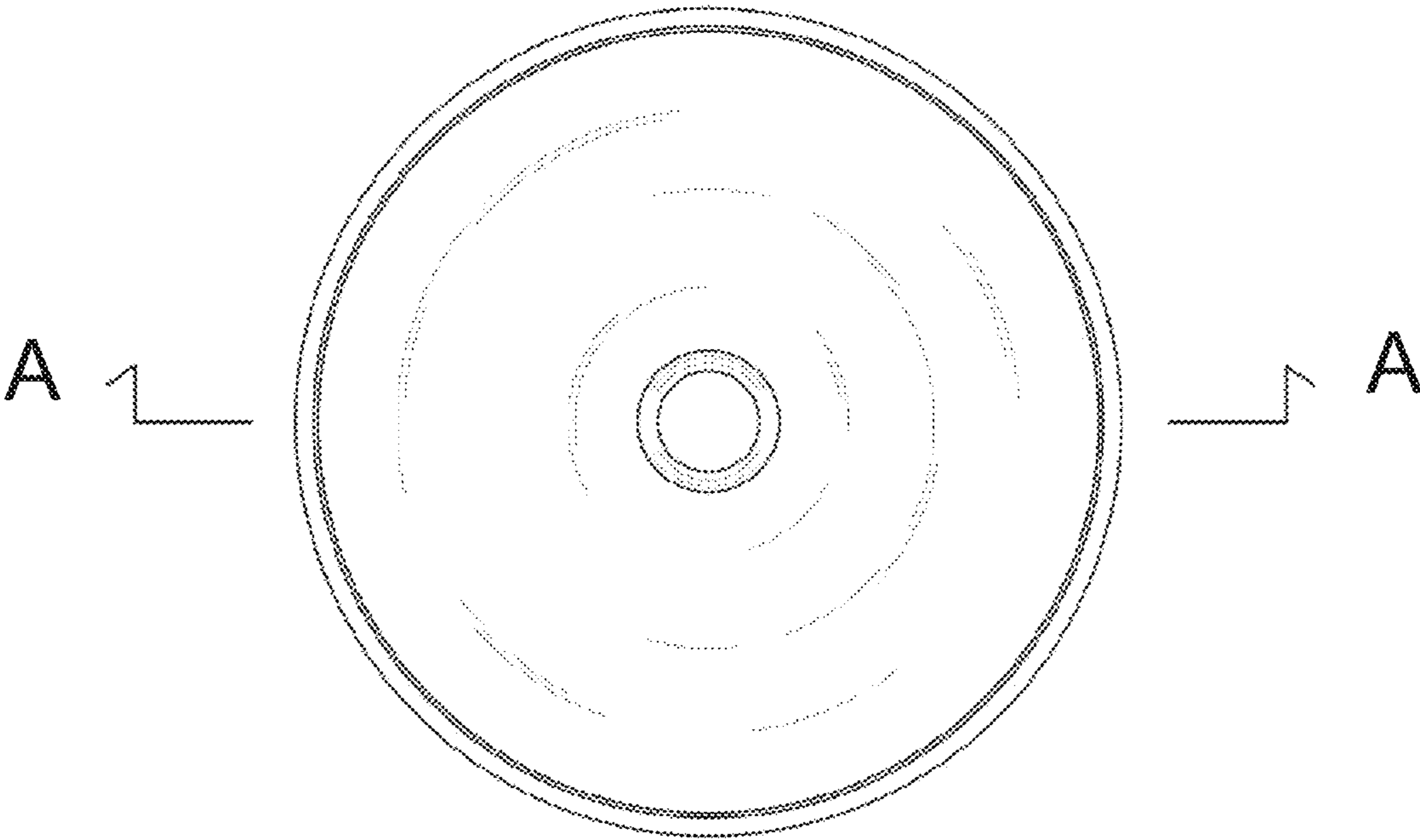


FIG. 2

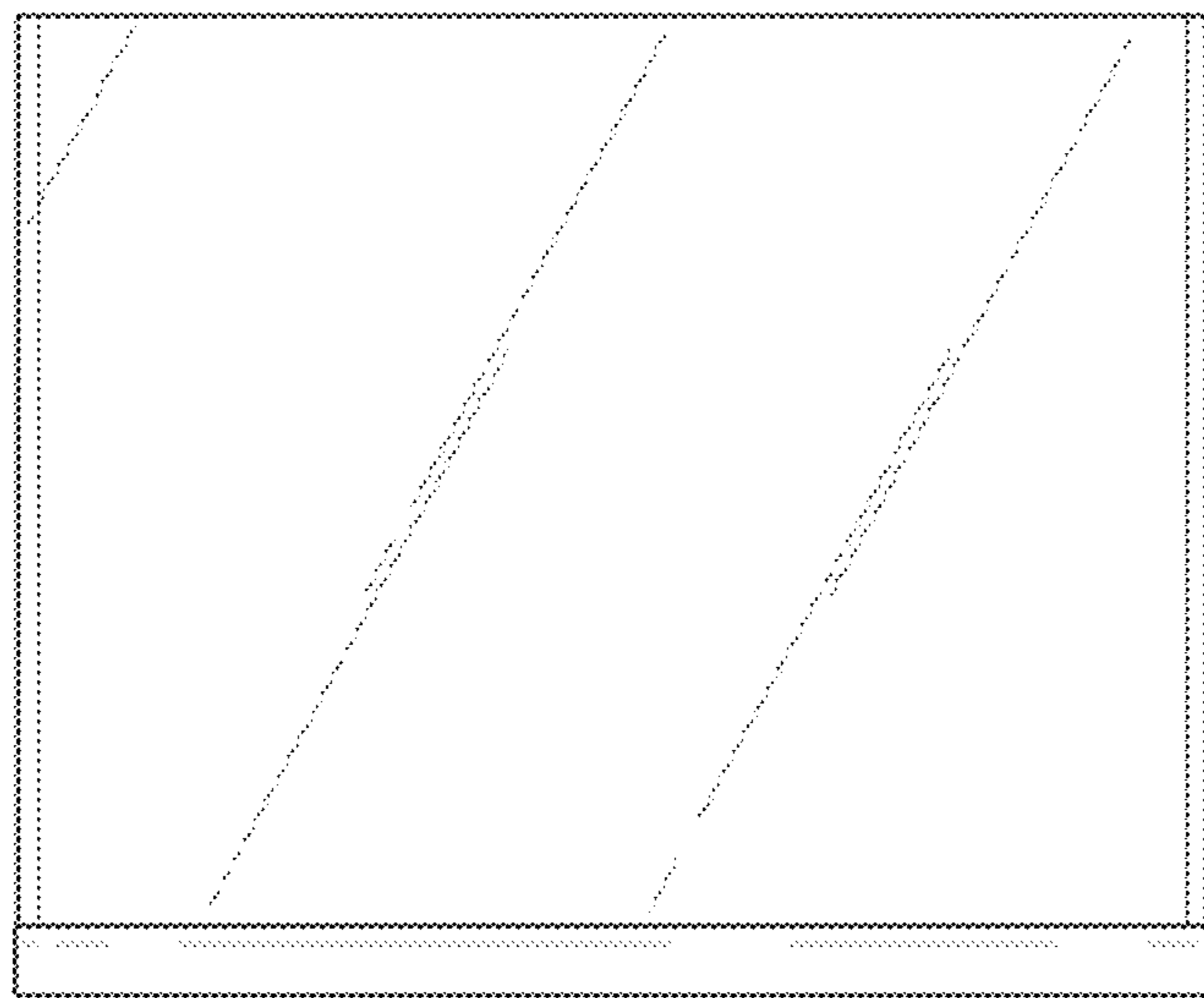


FIG. 3

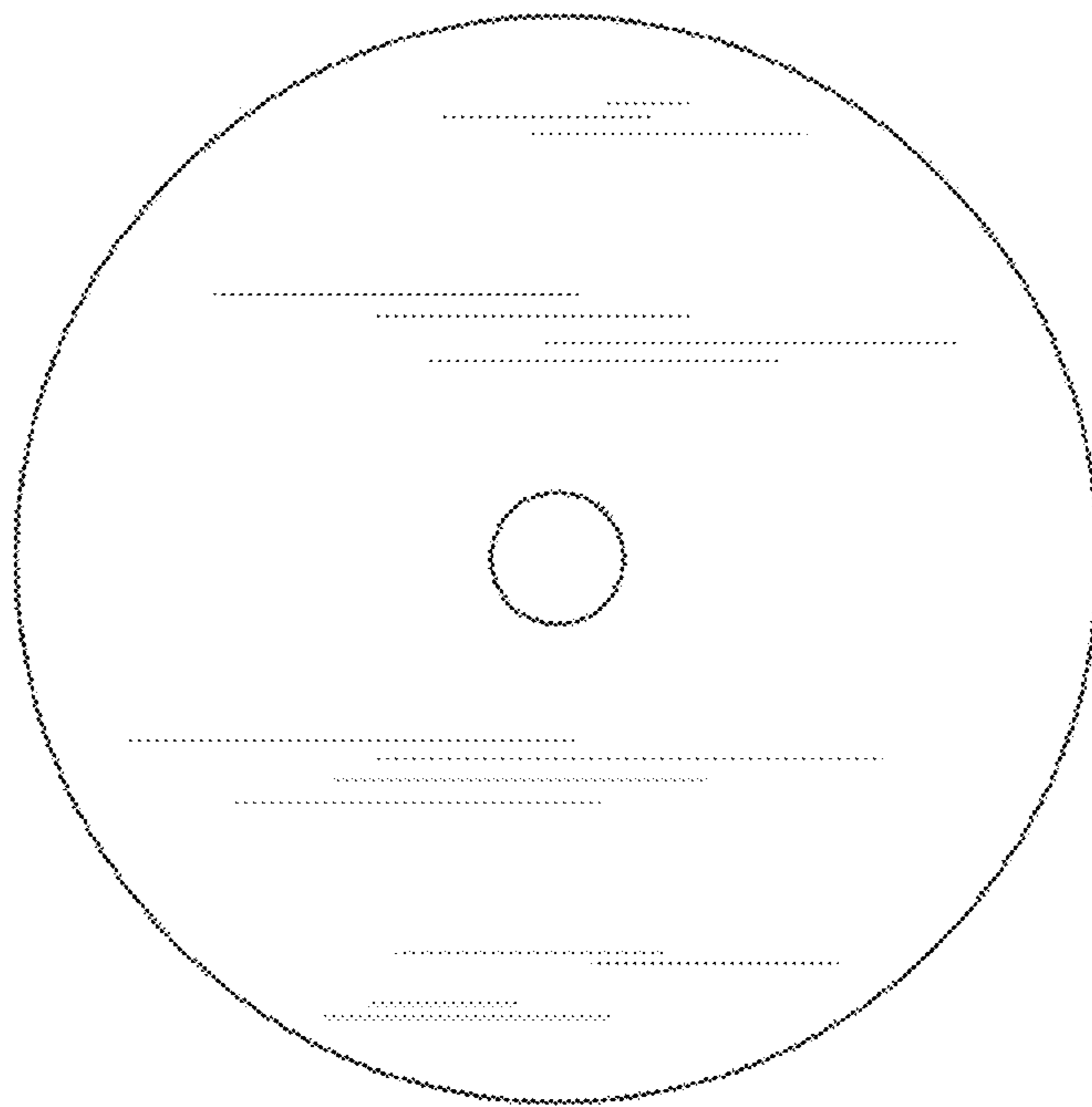


FIG. 4

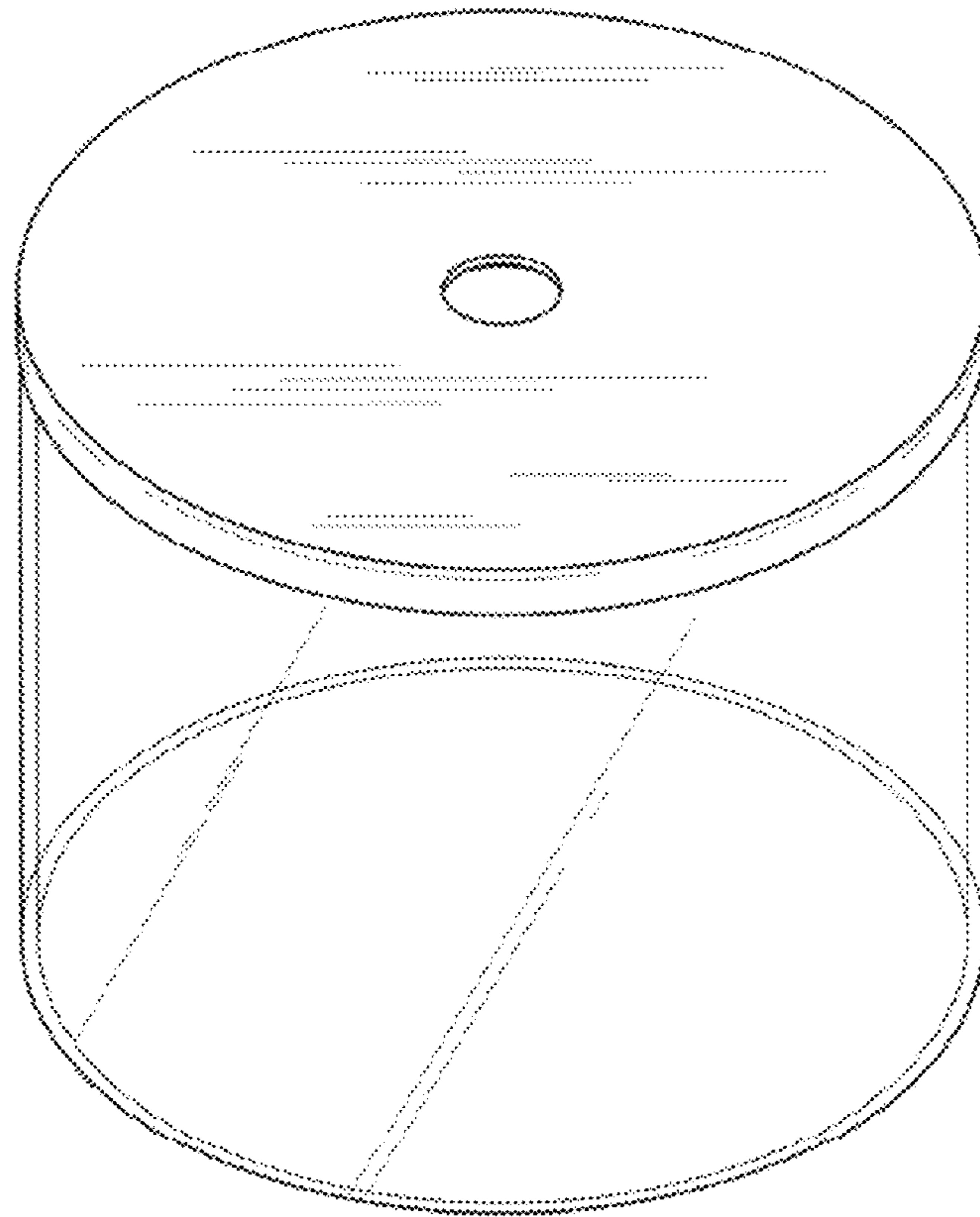


FIG. 5

A-A

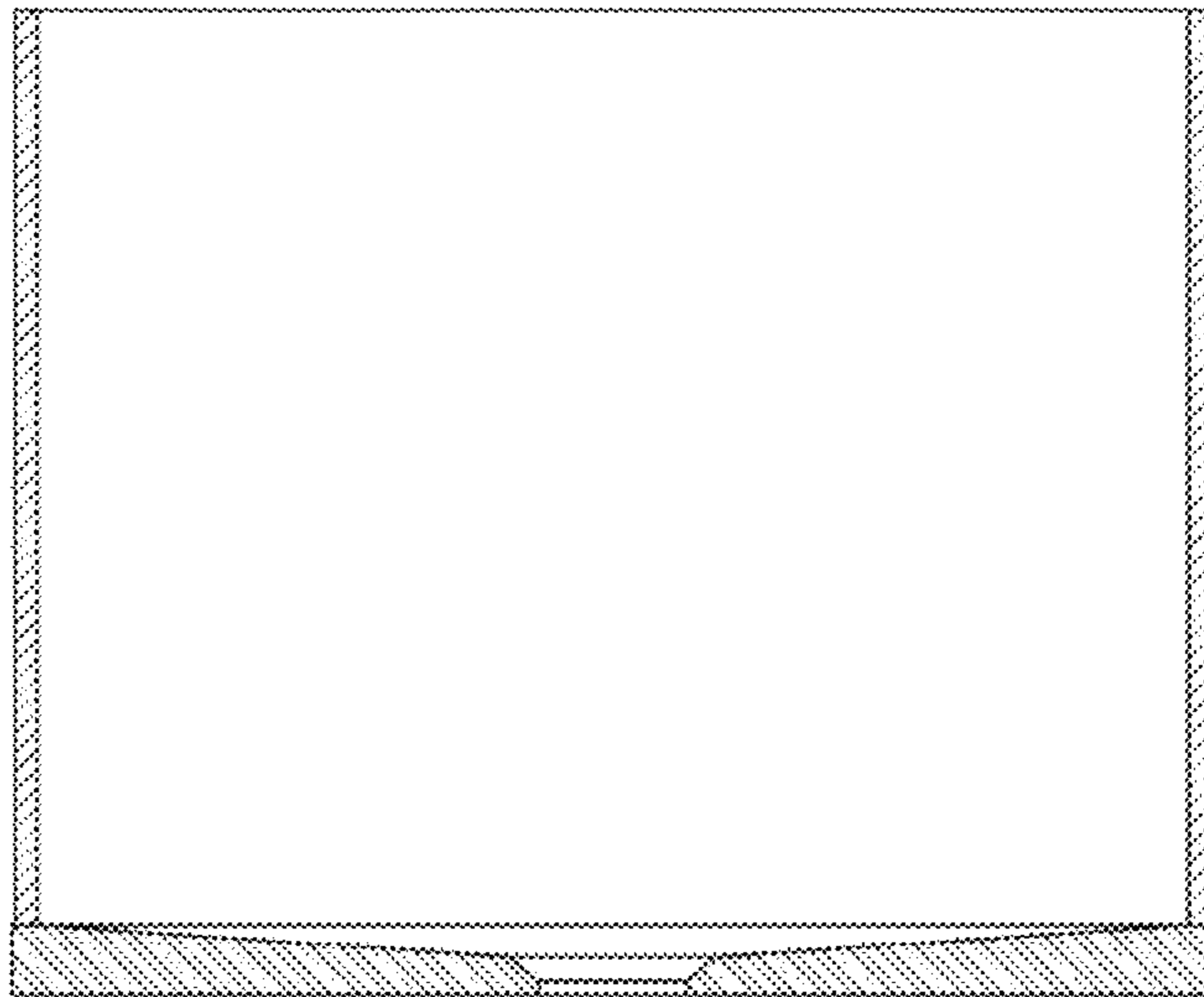


FIG. 6