



US00D890891S

(12) **United States Design Patent**
Vallo et al.

(10) **Patent No.:** **US D890,891 S**
(45) **Date of Patent:** **** Jul. 21, 2020**

- (54) **HOSE COUPLING**
- (71) Applicant: **Fiskars Finland Oy Ab**, Helsinki (FI)
- (72) Inventors: **Nicholas Vallo**, Madison, WI (US);
Steven Farra, Madison, WI (US)
- (73) Assignee: **FISKARS FINLAND OY AB**, Helsinki (FI)
- (**) Term: **15 Years**
- (21) Appl. No.: **29/715,952**
- (22) Filed: **Dec. 5, 2019**

- D254,505 S * 3/1980 Parsons D23/262
- D254,802 S * 4/1980 Hayes D23/262
- 4,236,736 A 12/1980 Anderson
- D267,506 S * 1/1983 Evans D23/262
- 4,541,657 A * 9/1985 Smyth F16L 37/086
285/305
- 4,568,114 A 2/1986 Konrad
- D283,342 S 4/1986 Tisserat
- D296,579 S 7/1988 Hattori
- 5,626,369 A 5/1997 Shifman
- D427,669 S * 7/2000 Ruuska D23/266
- D441,436 S 5/2001 Chao
- 6,241,291 B1 6/2001 Hui-Chen
- D532,947 S 11/2006 Muscarella
- D586,434 S * 2/2009 Brockington D23/259

(Continued)

Related U.S. Application Data

- (62) Division of application No. 29/637,320, filed on Feb. 15, 2018, now Pat. No. Des. 879,257.
- (51) **LOC (12) Cl.** **23-01**
- (52) **U.S. Cl.**
USPC **D23/262**
- (58) **Field of Classification Search**
USPC D23/207–209, 233–237, 249,
D23/259.262–266, 268–269; 285/15–16,
285/31, 33, 45, 53, 86, 104, 148.2,
285/148.19–148.22, 133.21, 245, 257,
285/291.1, 291.2, 335, 423, 355, 390,
285/417, 34, 305, 321, 323;
251/146–152, 215–216, 143, 155, 162,
251/357; 138/99; D24/129; 137/625.4;
236/12.1; D8/397, 399; D13/133, 154;
D32/31–33
CPC F16K 11/07; F16K 31/002; F16L 11/00;
F16L 25/01; F16L 17/10; F16L 59/14
See application file for complete search history.

Primary Examiner — Amy C Wierenga

(74) *Attorney, Agent, or Firm* — Leason Ellis LLP

(57) **CLAIM**

We claim the ornamental design for a hose coupling, as shown and described.

DESCRIPTION

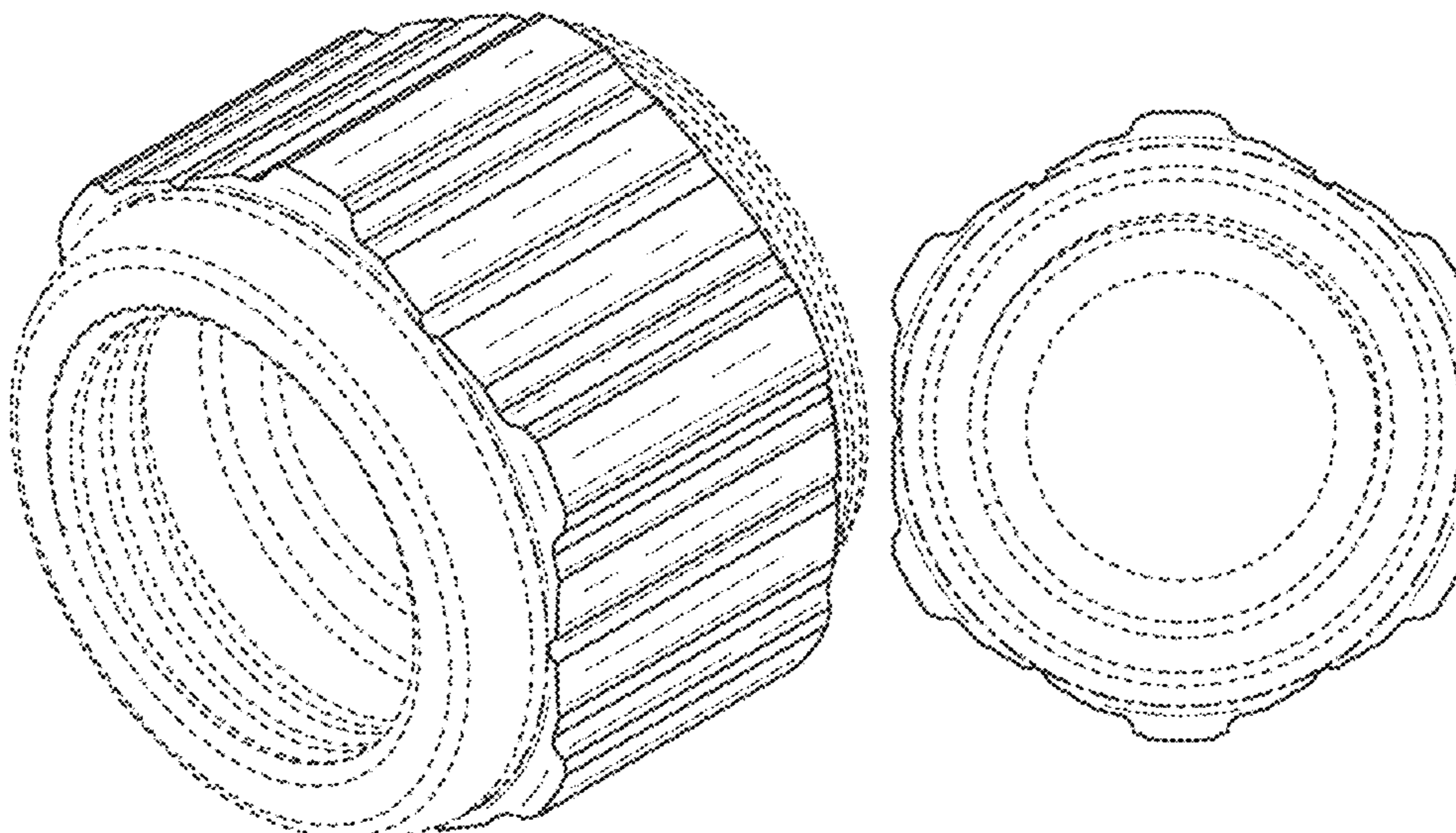
FIG. 1 is a top perspective view of an embodiment of the claimed design;
 FIG. 2 is front view thereof;
 FIG. 3 is a rear view thereof;
 FIG. 4 is a left side view thereof;
 FIG. 5 is a right side view thereof;
 FIG. 6 is a top view thereof;
 FIG. 7 is a bottom view thereof; and,
 FIG. 8 is a bottom perspective view thereof.
 The dash-dot broken lines shown in the drawings depicts the boundaries of the claim and form no part thereof. The evenly dashed broken lines shown in the drawings depict portions of the hose coupling that form no part of the claim.

(56) **References Cited**

U.S. PATENT DOCUMENTS

- D88,666 S 12/1932 Morse
- 2,816,779 A * 12/1957 Jensen F16L 37/252
285/74

1 Claim, 5 Drawing Sheets



(56)

References Cited

U.S. PATENT DOCUMENTS

D613,827	S	*	4/2010	Damaske	D23/259
D691,261	S	*	10/2013	Kawamura	D24/130
D736,357	S		8/2015	Melo	
D736,358	S	*	8/2015	Melo	D23/262
D736,359	S	*	8/2015	Melo	D23/262
D738,471	S		9/2015	Melo	
D753,271	S		4/2016	LaBarbera	
D834,687	S	*	11/2018	Khubani	D23/262
D879,257	S	*	3/2020	Vallo	D23/262
2016/0097474	A1		4/2016	Settu	

* cited by examiner

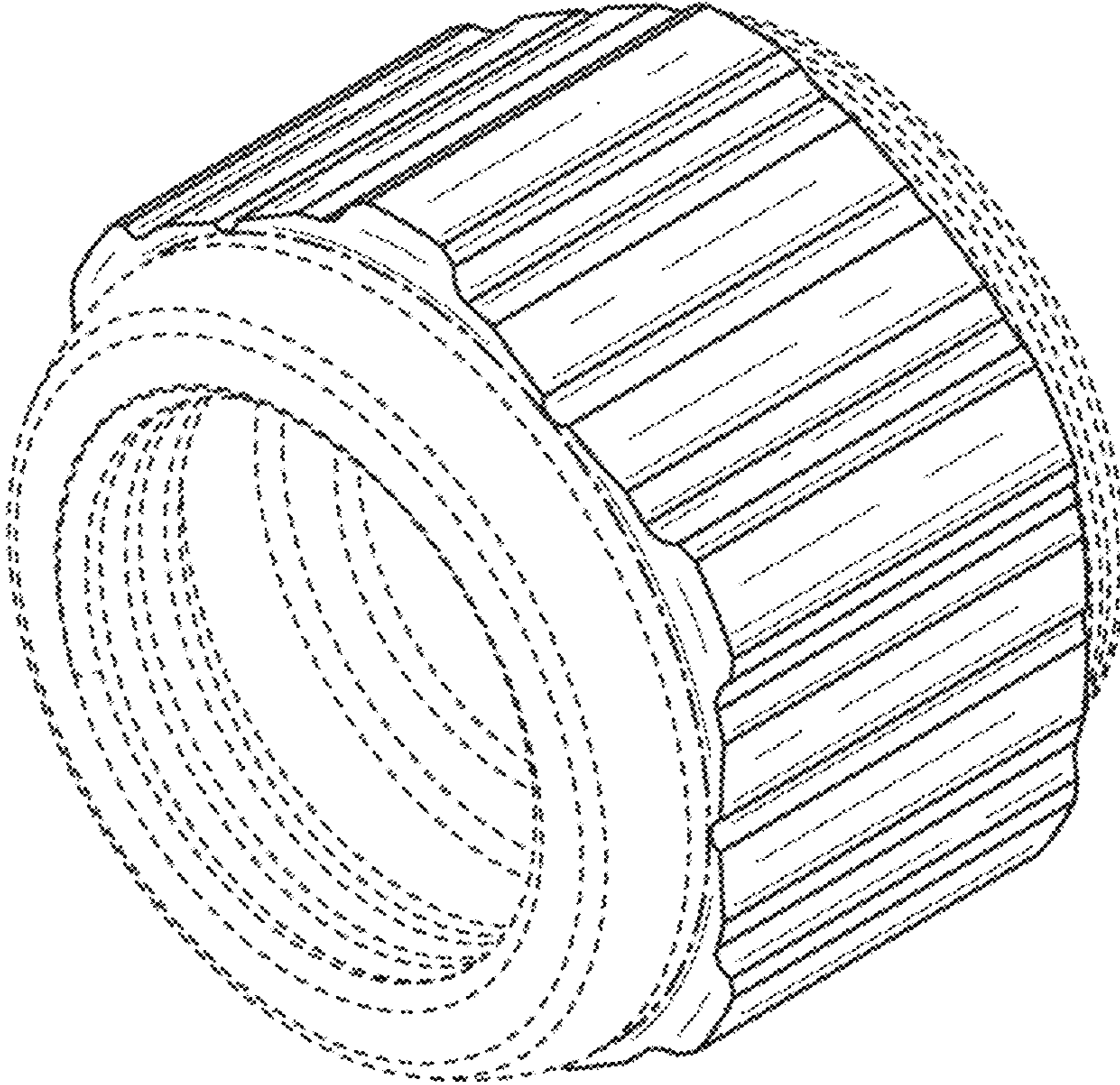


FIG. 1

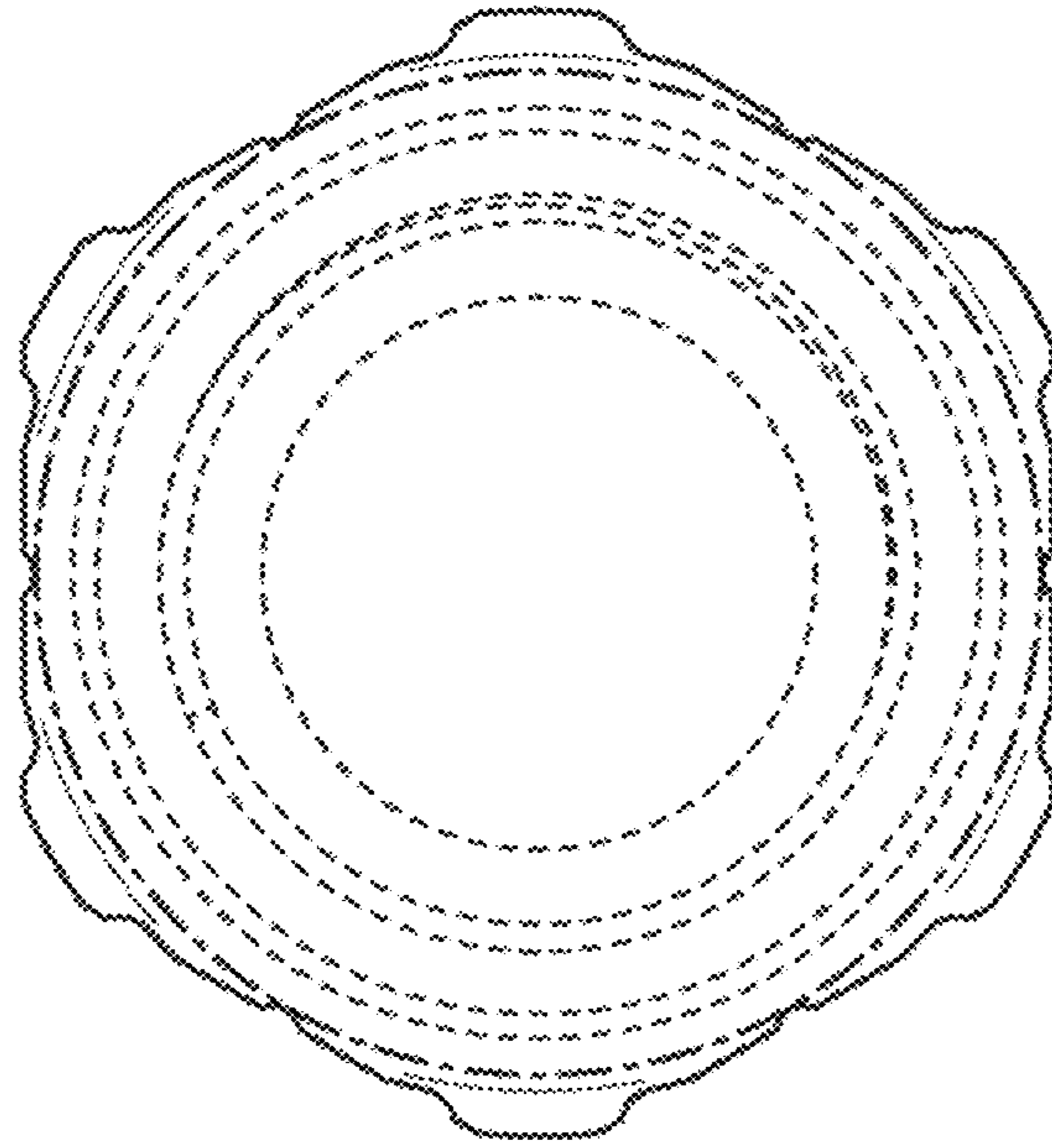


FIG. 2

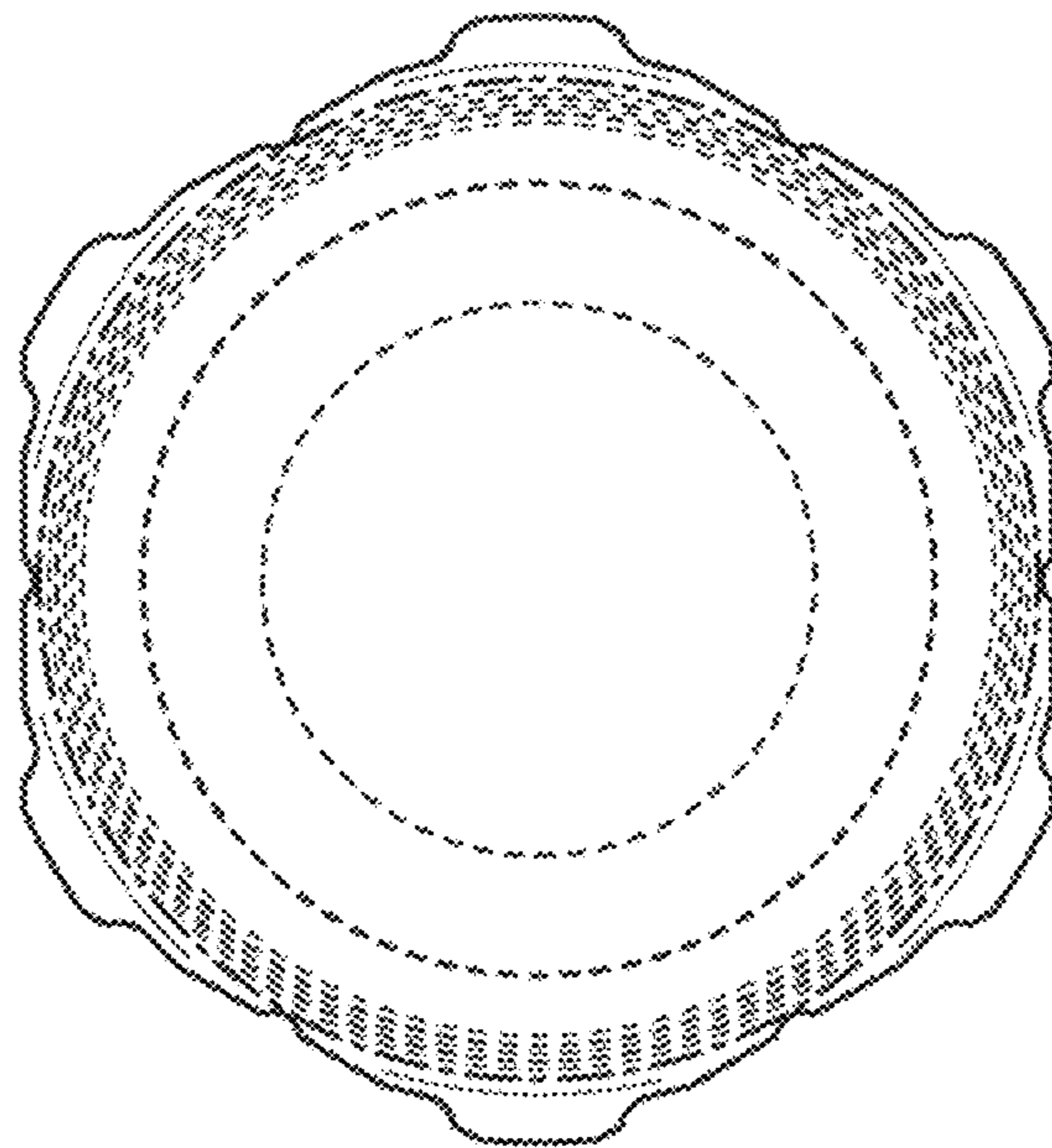


FIG. 3

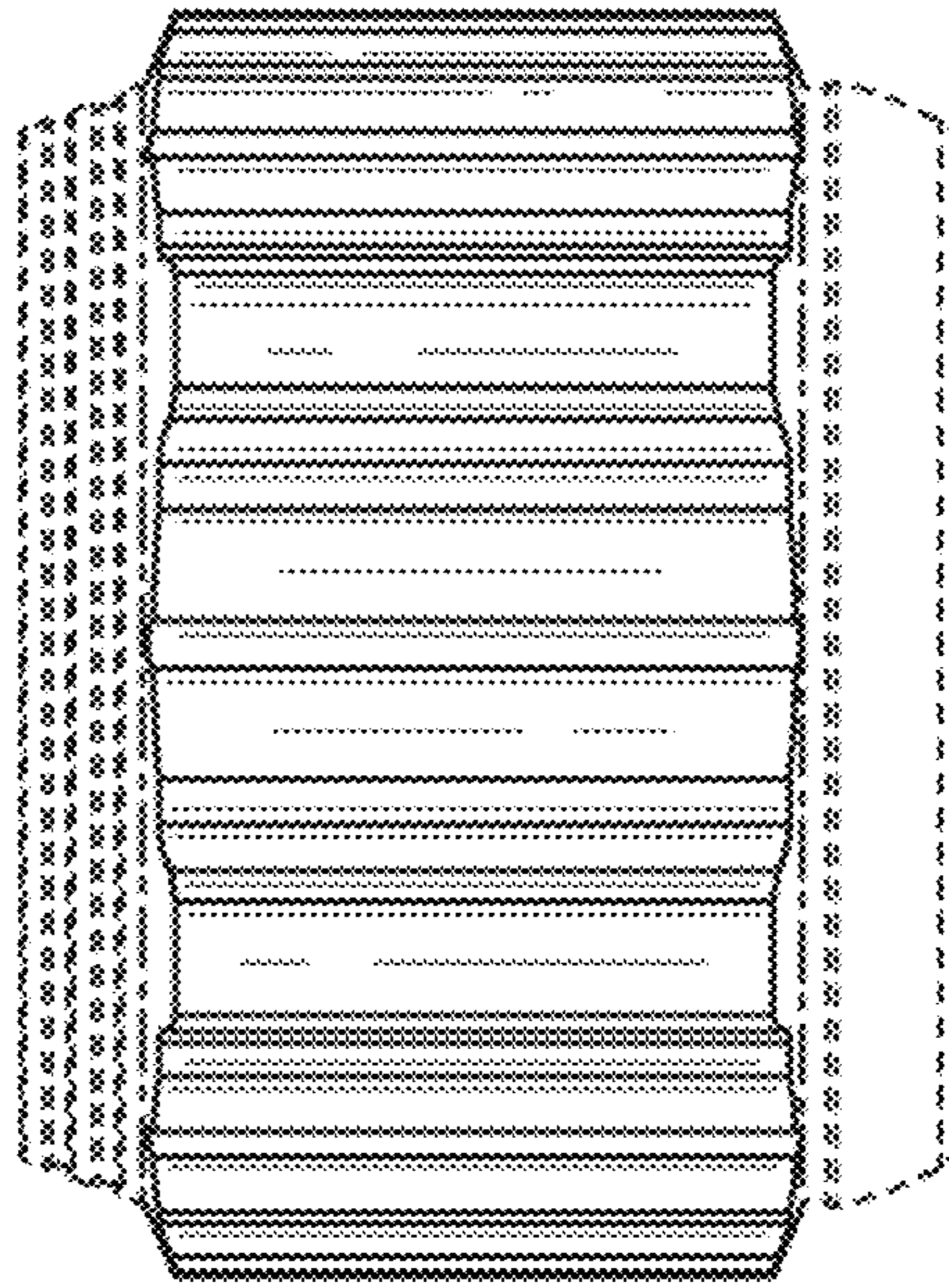


FIG. 4

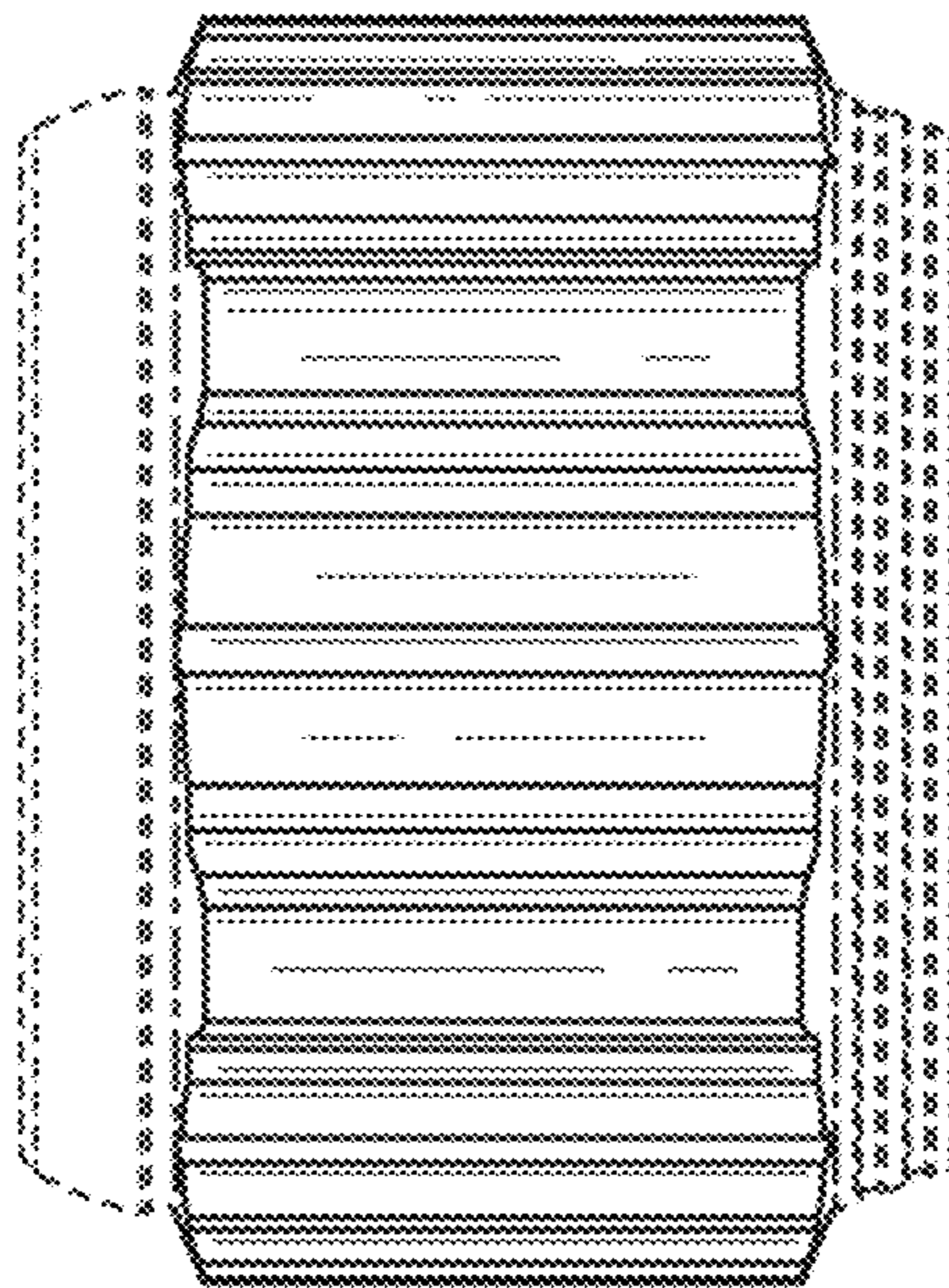


FIG. 5

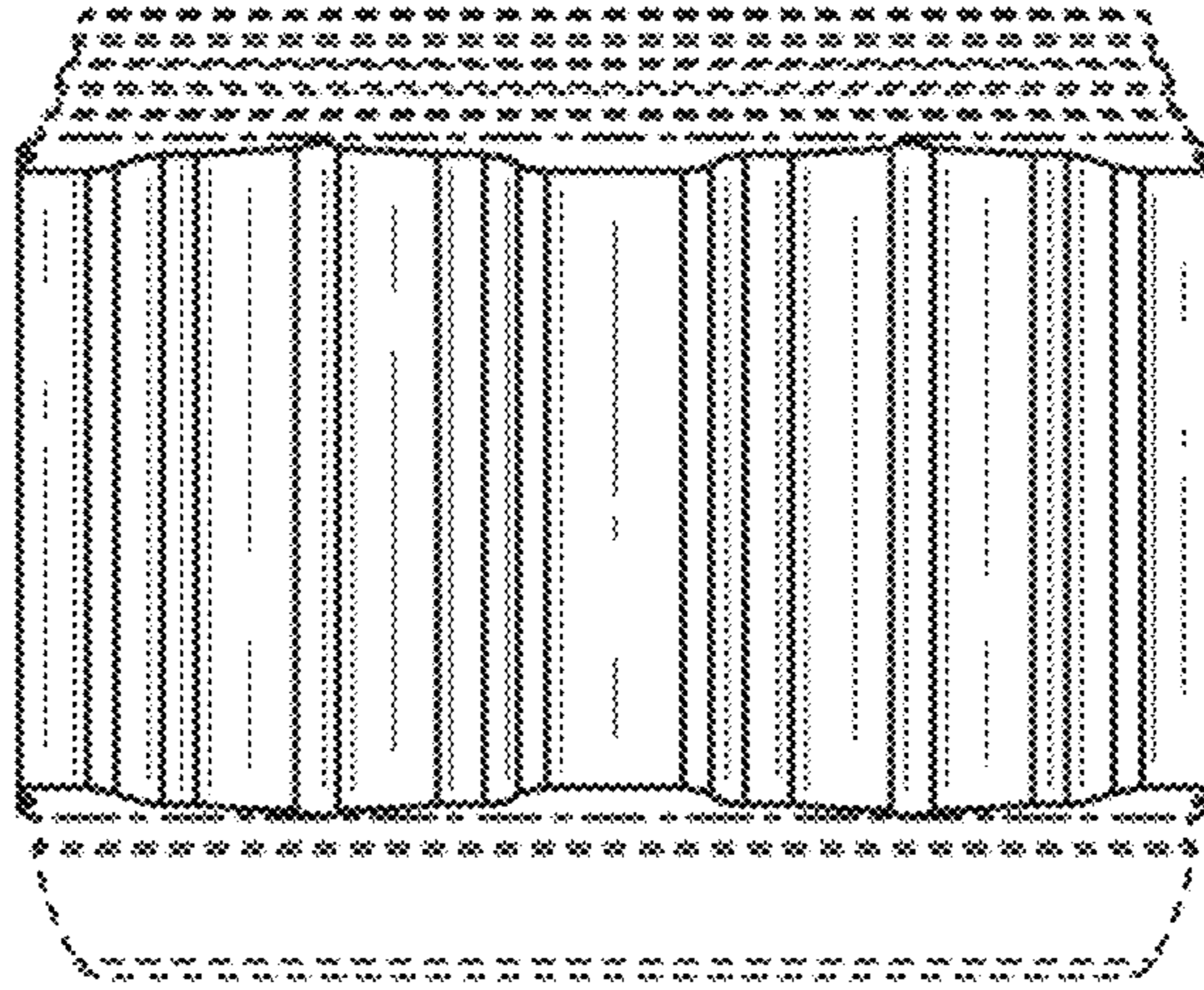


FIG. 6

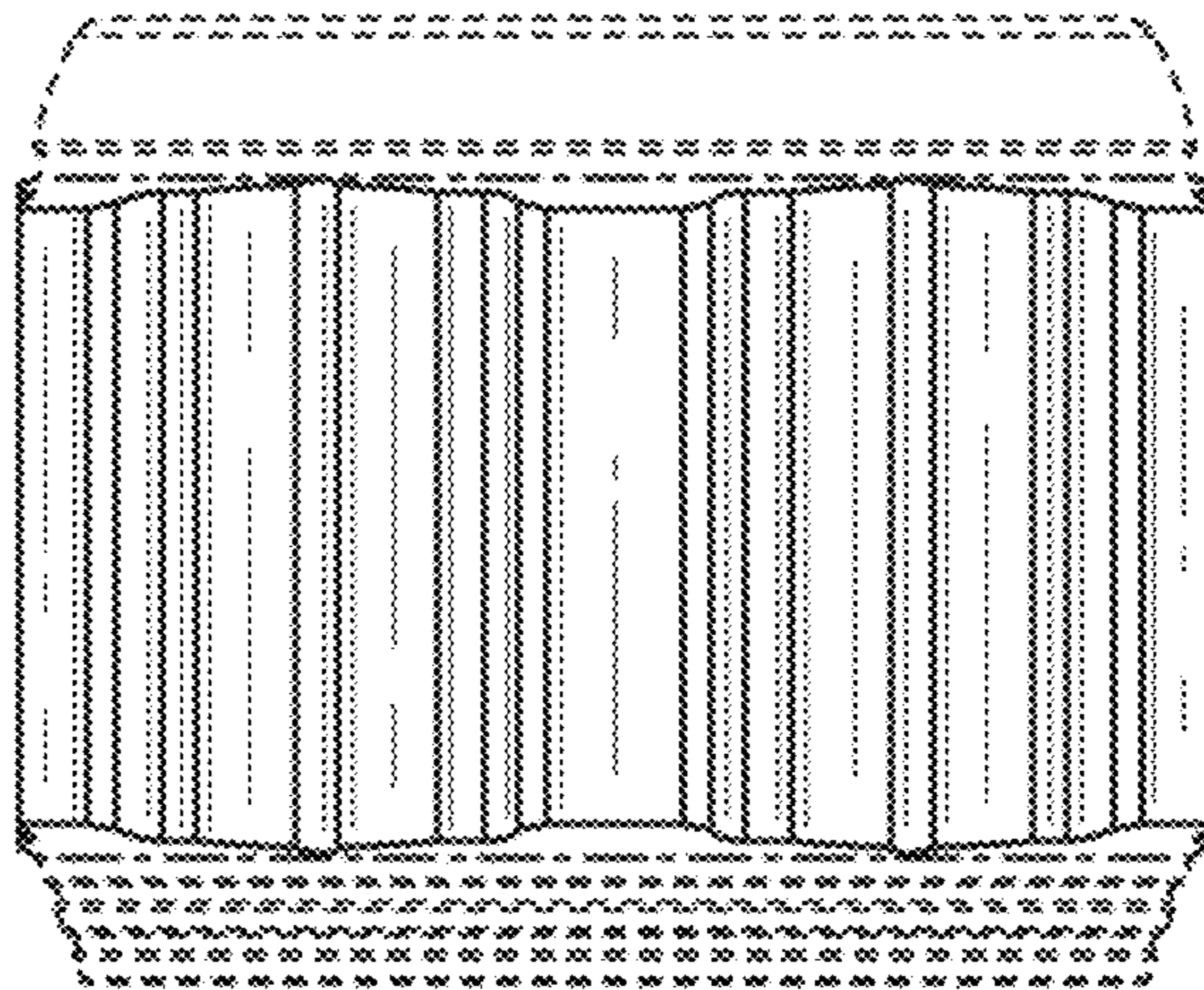


FIG. 7

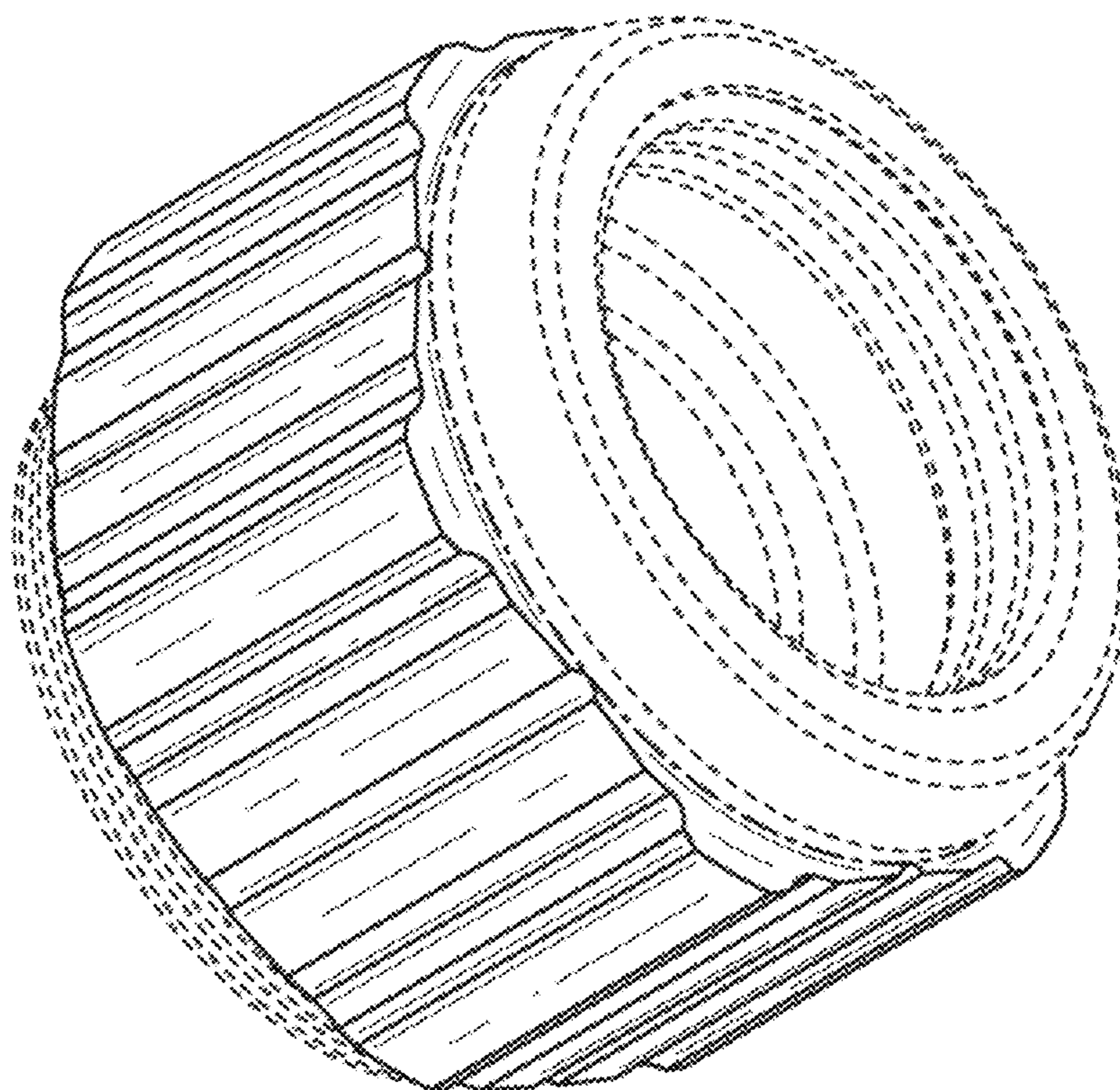


FIG. 8