

US00D890888S

(12) **United States Design Patent**
Wagener

(10) **Patent No.:** **US D890,888 S**
(45) **Date of Patent:** **** Jul. 21, 2020**

(54) **WASTE WATER SOLID WASTE CATCH**
(71) Applicant: **Dallas Michael Wagener**, Nisswa, MN (US)
(72) Inventor: **Dallas Michael Wagener**, Nisswa, MN (US)
(**) Term: **15 Years**
(21) Appl. No.: **29/663,946**
(22) Filed: **Sep. 20, 2018**
(51) **LOC (12) Cl.** **23-01**
(52) **U.S. Cl.**
USPC **D23/261**
(58) **Field of Classification Search**
USPC D23/209, 259-261, 388, 267, 268, 303, D23/397; 4/286-287, 295, 290, 292, 507, 4/510, 650, 652, 679; 138/90; 210/162-164, 132-133; 52/12, 16, 11, 52/169.5, 20, 302.1, 302.7, 311.3; D25/152-153, 155-157
CPC E04D 13/08; E04D 2013/083
See application file for complete search history.

D288,840 S * 3/1987 Williams D23/261
D308,720 S * 6/1990 Yuen D23/261
5,709,051 A 1/1998 Mazziotti
6,263,618 B1 7/2001 Jones
6,497,816 B2 12/2002 Naddy
7,200,969 B2* 4/2007 Rotter E04D 13/076
210/162
7,815,811 B1* 10/2010 Reiss, Jr. B01D 29/445
210/154
8,475,654 B1 7/2013 Smith
8,715,495 B1* 5/2014 Smith E04D 13/0767
210/162
2001/0030149 A1* 10/2001 Naddy E04D 13/0767
210/162
2012/0222998 A1* 9/2012 Pierzchalski C02F 1/001
210/170.03
2020/0078715 A1* 3/2020 Wagener B01D 35/027

* cited by examiner

Primary Examiner — Amy C Wierenga

(57) **CLAIM**

The ornamental design for a waste water solid waste catch, as shown and described.

DESCRIPTION

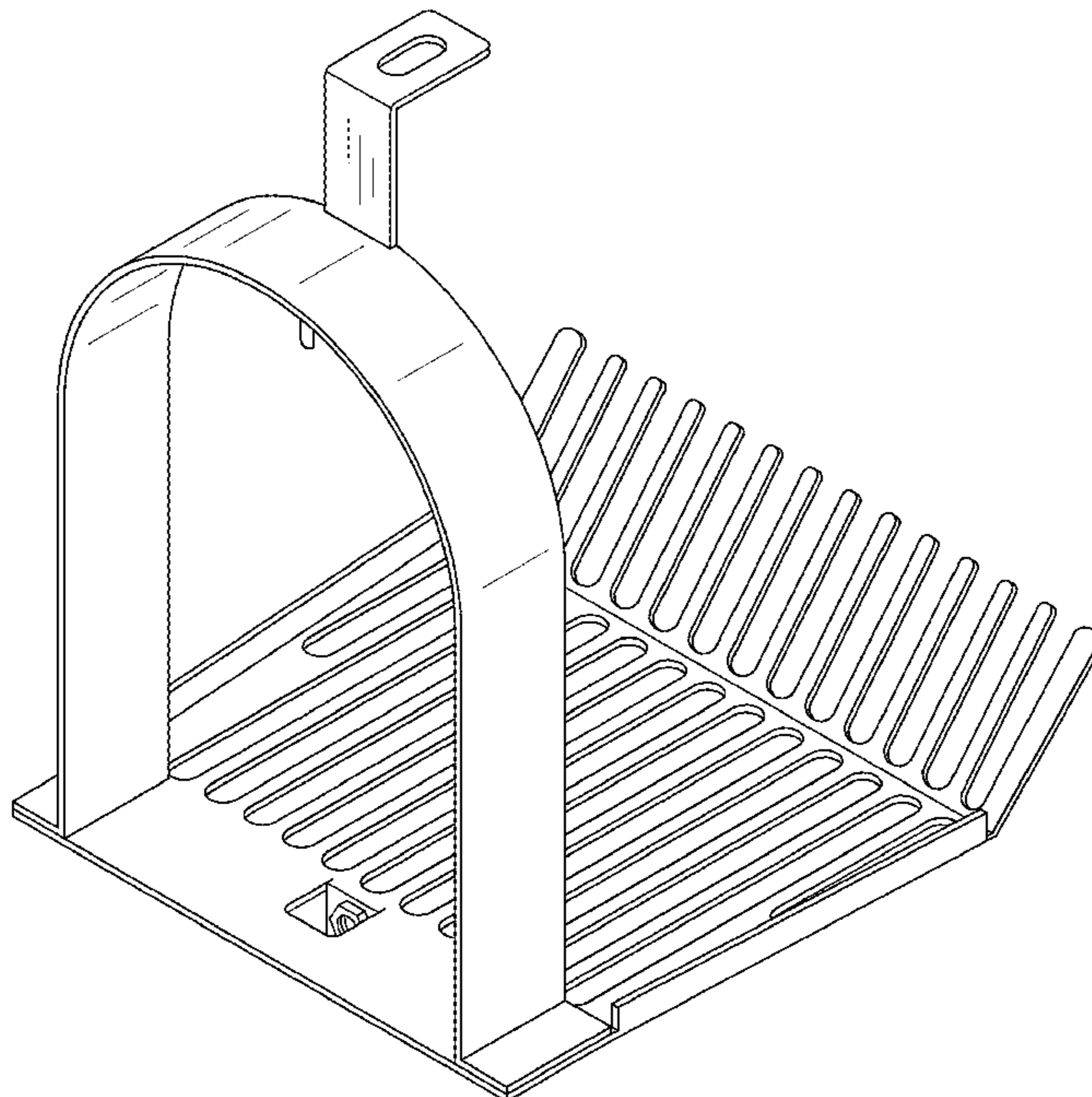
FIG. 1 is a rear and top isometric view of a waste water solid waste catch showing my new design; FIG. 2 is a left side view of the waste water solid waste catch, a right side view being a mirror image thereof; FIG. 3 is a rear view of the waste water solid waste catch; FIG. 4 is a bottom view of the waste water solid waste catch; FIG. 5 is a top view of the waste water solid waste catch; FIG. 6 is a front right isometric view of the waste water solid waste catch, the portions in phantom being for illustration only and forming no portion of the claimed invention; and, FIG. 7 is a front view of the waste water solid waste catch.

1 Claim, 7 Drawing Sheets

(56) **References Cited**

U.S. PATENT DOCUMENTS

D35,535 S * 12/1901 Kurz D23/261
1,231,356 A 6/1917 Houge
1,254,125 A * 1/1918 Dash B01D 35/02
210/433.1
2,377,373 A * 6/1945 Robertson E04D 13/04
210/463
D187,205 S * 2/1960 Laughlin D23/261
4,356,087 A * 10/1982 Miles E03F 7/06
210/131
4,472,274 A 9/1984 Williams



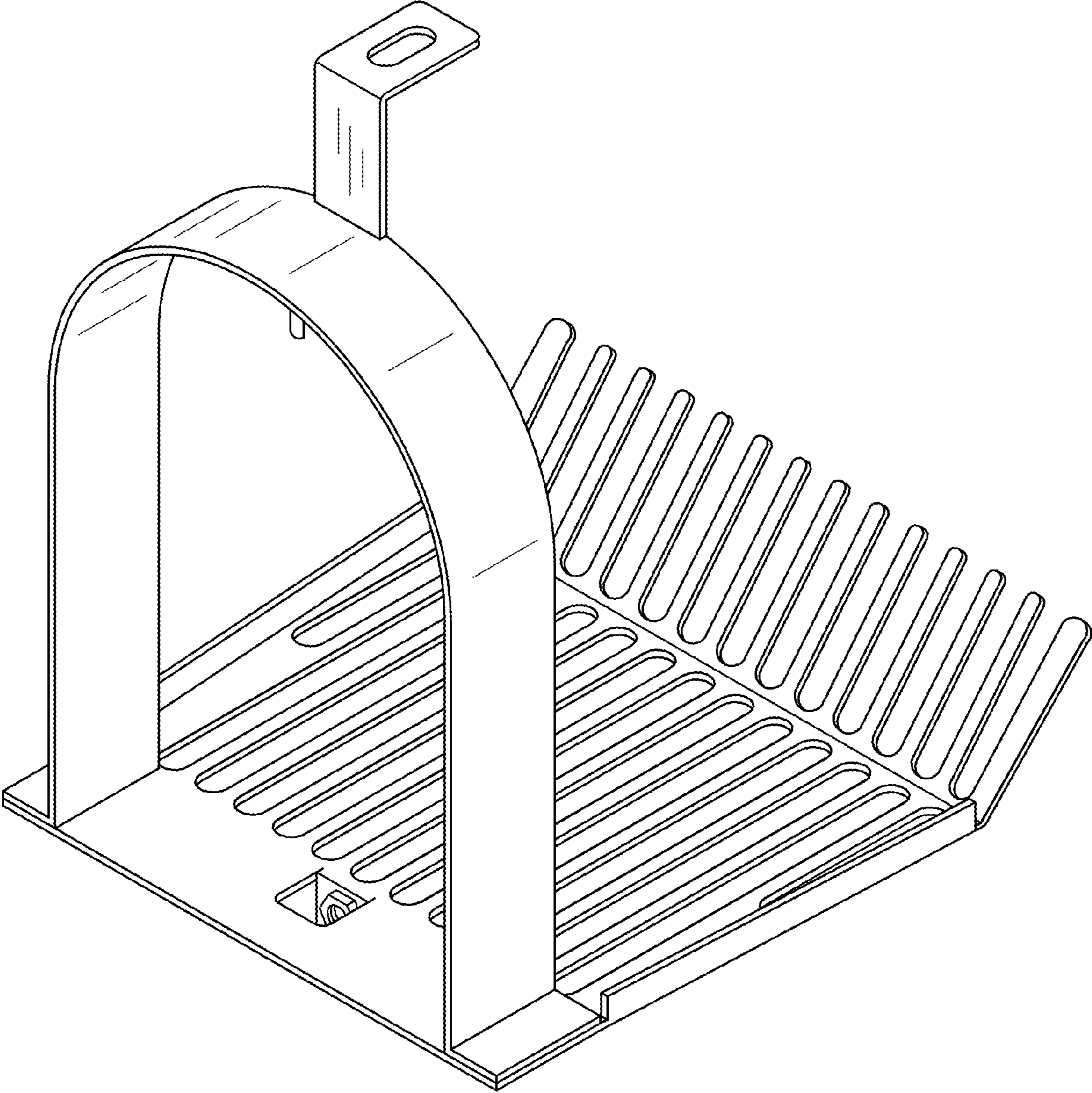


FIG. 1

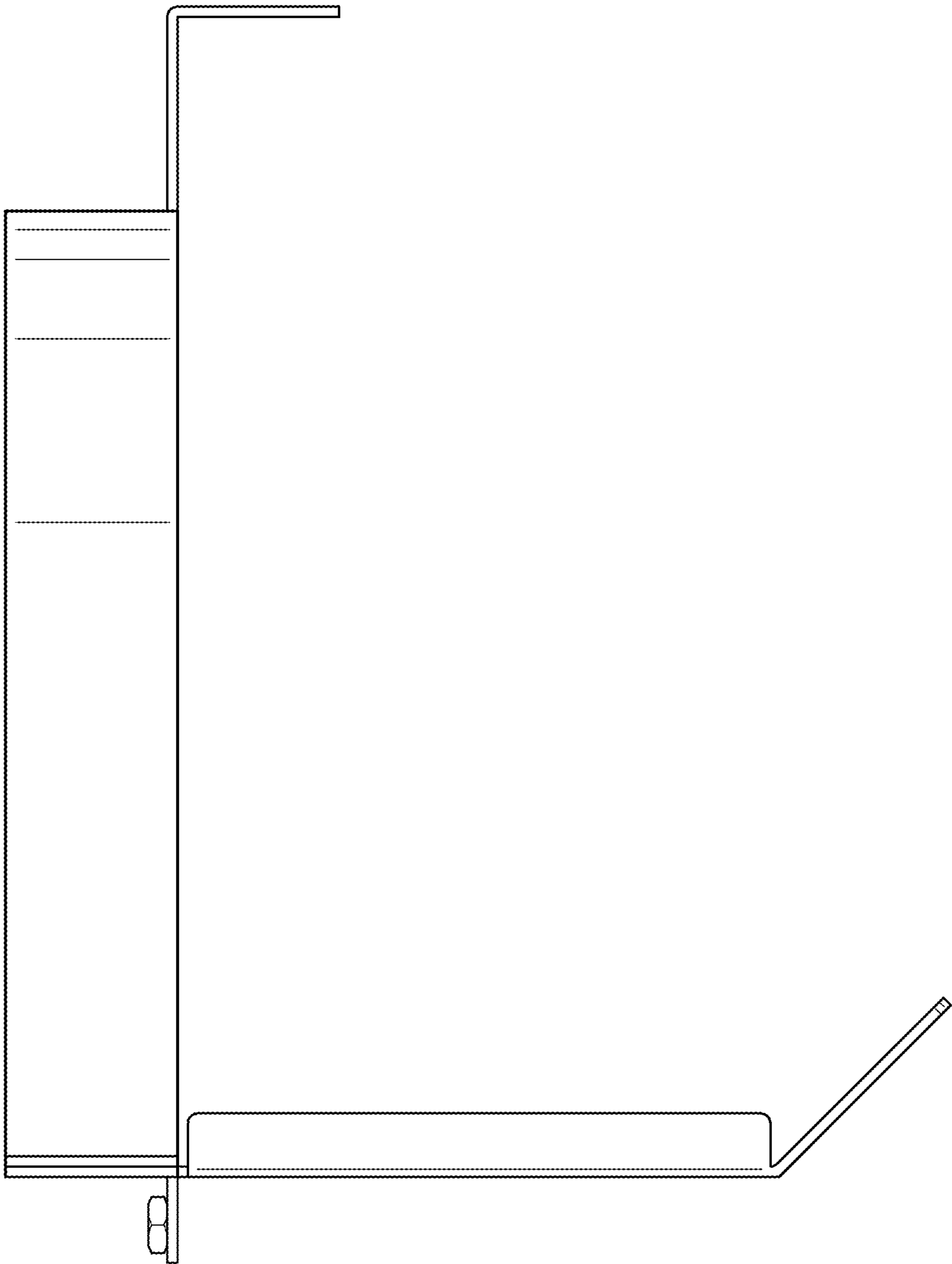


FIG. 2

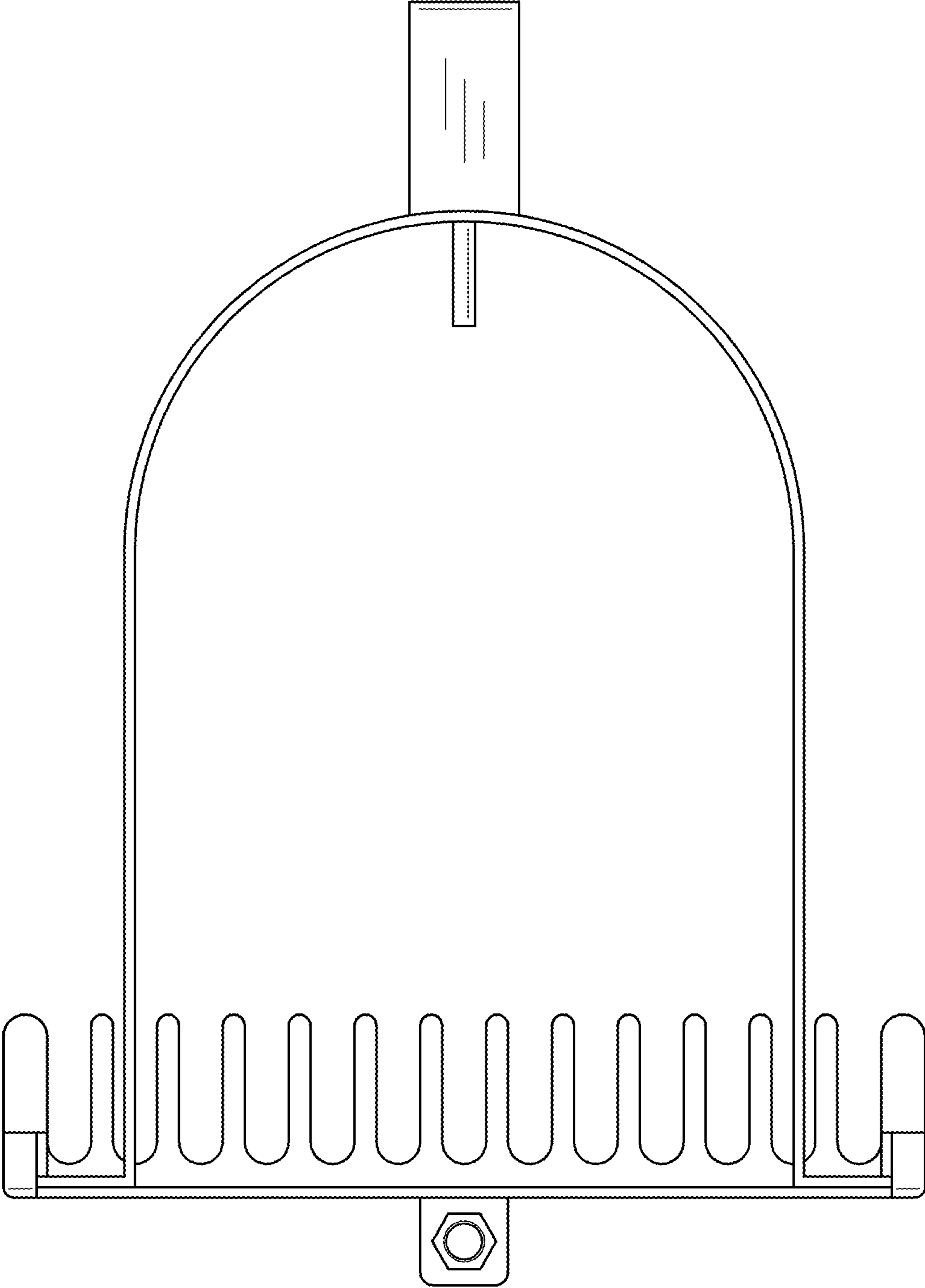


FIG. 3

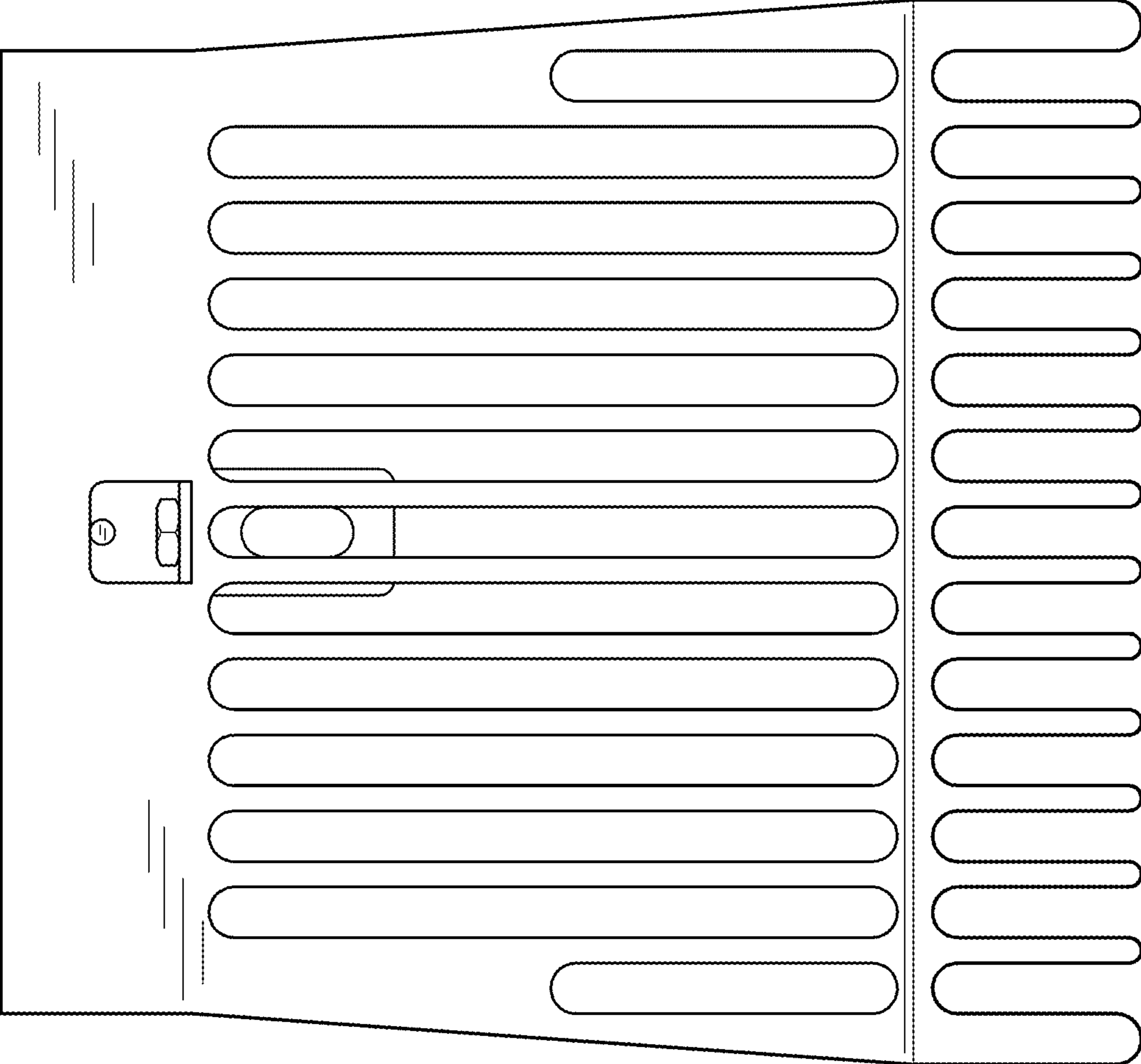


FIG. 4

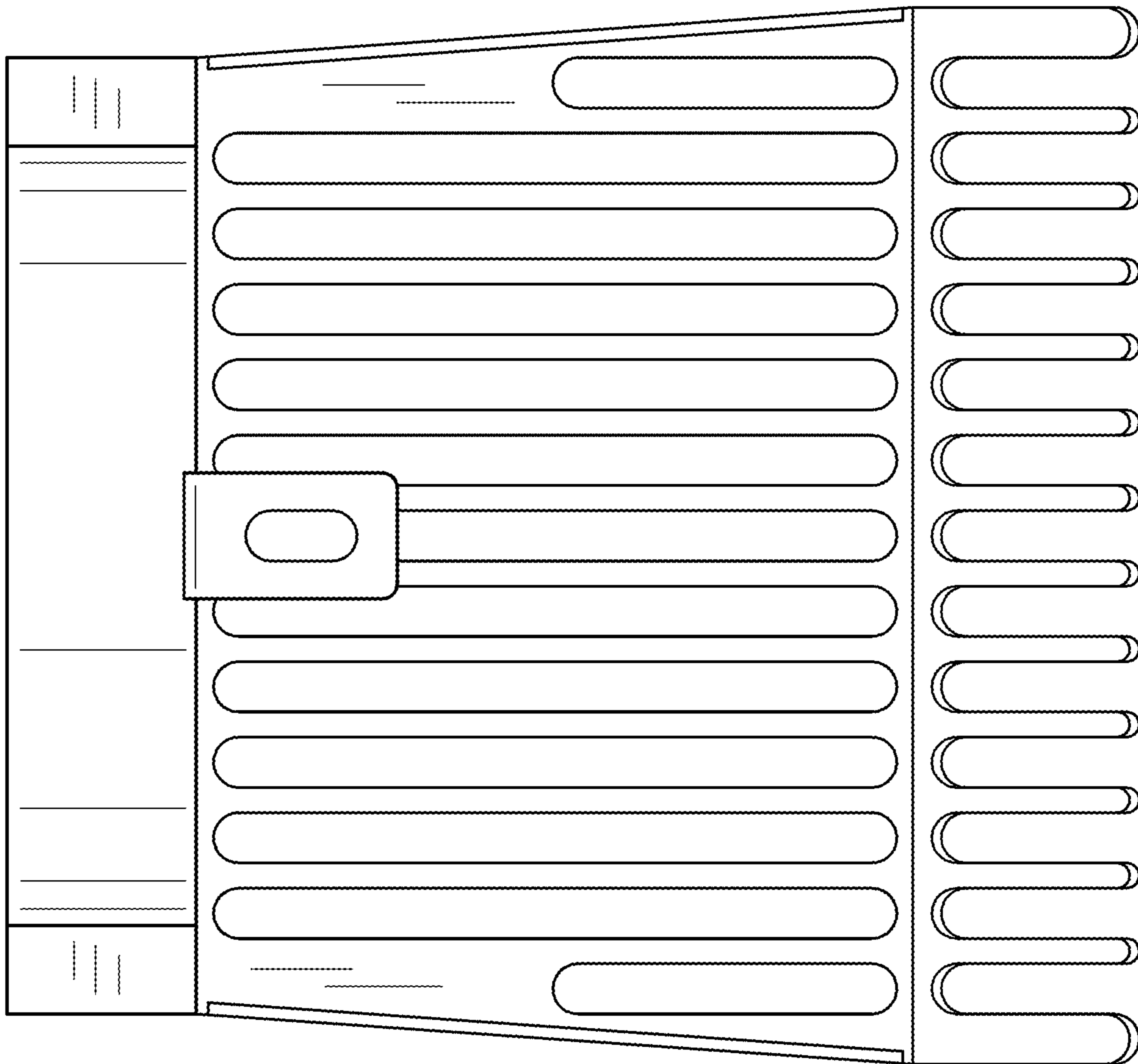


FIG. 5

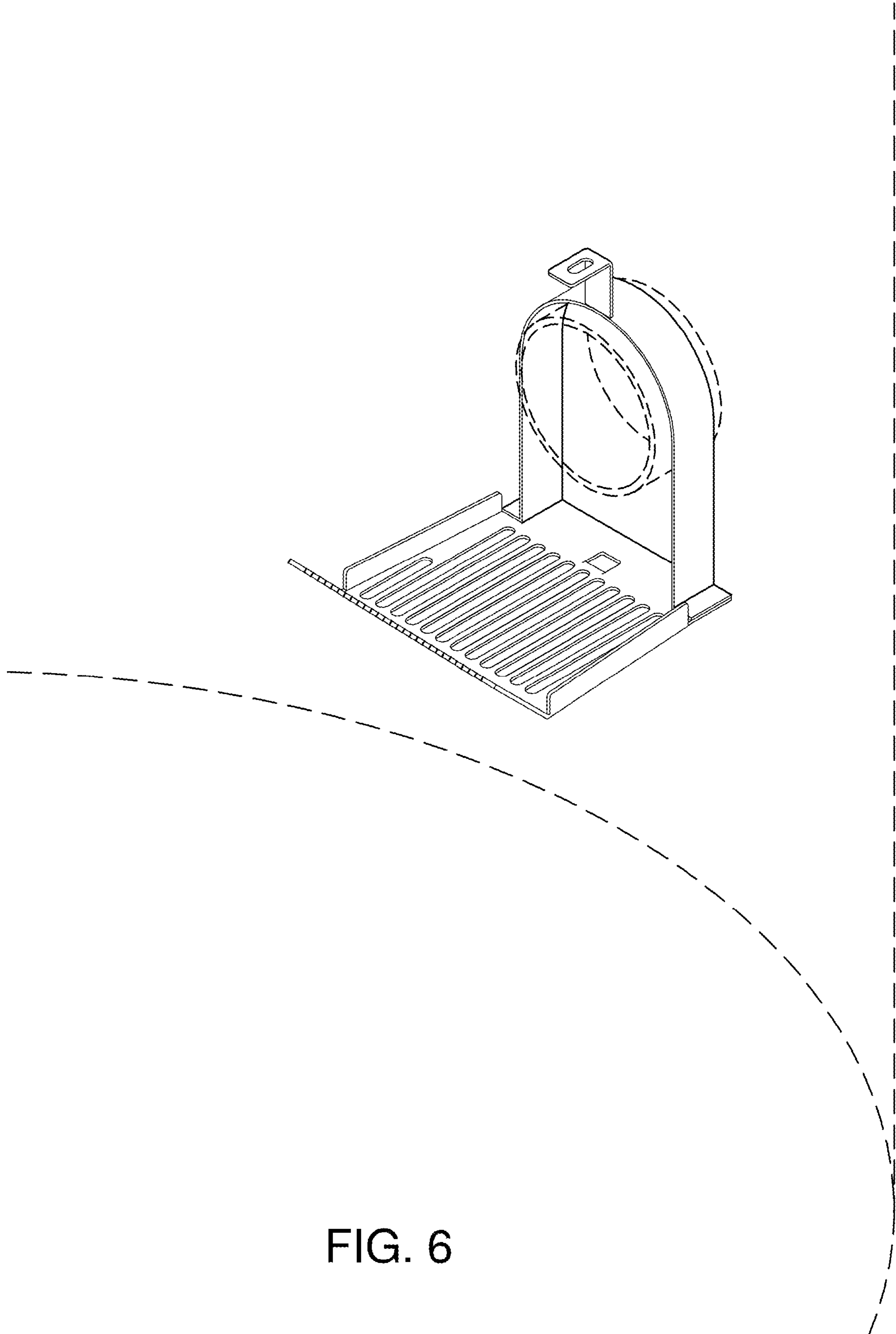


FIG. 6

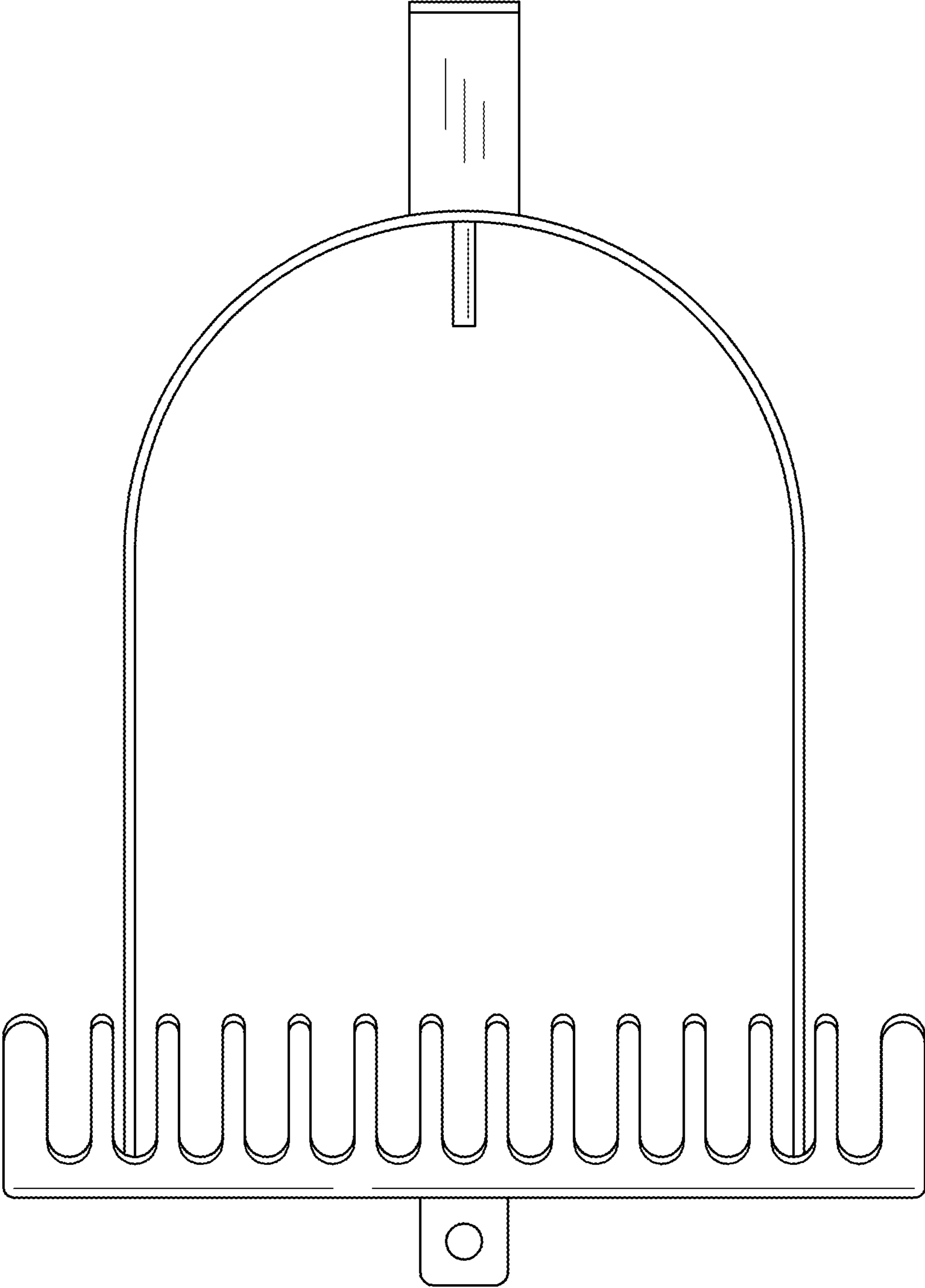


FIG. 7