



US00D890887S

(12) **United States Design Patent** (10) **Patent No.:** **US D890,887 S**  
**Levi** (45) **Date of Patent:** **\*\* Jul. 21, 2020**

(54) **FAUCET**

(71) Applicant: **ICG Licensing LLC**, Port Washington, NY (US)

(72) Inventor: **Russell Levi**, Port Washington, NY (US)

(73) Assignee: **ICG Licensing LLC**, Port Washington, NY (US)

(\*\*) Term: **15 Years**

(21) Appl. No.: **29/692,173**

(22) Filed: **May 23, 2019**

**Related U.S. Application Data**

(63) Continuation of application No. 29/635,946, filed on Feb. 5, 2018, now Pat. No. Des. 857,844.

(51) **LOC (12) Cl.** ..... **23-01**

(52) **U.S. Cl.**  
USPC ..... **D23/255**

(58) **Field of Classification Search**  
USPC ..... D23/238-243, 249, 255, 257, 250, 252, D23/254, 213, 223, 226; D8/307-308  
CPC ..... E03C 1/0412  
See application file for complete search history.

(56) **References Cited**

**U.S. PATENT DOCUMENTS**

D479,309 S	9/2003	Haug et al.
D520,114 S	5/2006	Starck
D576,255 S	9/2008	Nobili
D605,260 S	12/2009	Allard
8,413,686 B2	4/2013	Ko
D735,298 S	7/2015	Eads

*Primary Examiner* — Robert A Delehanty

(74) *Attorney, Agent, or Firm* — Carter, Deluca & Farrell LLP

(57) **CLAIM**

The ornamental design for a faucet, as shown and described.

**DESCRIPTION**

FIG. 1 is a front perspective view of a faucet in accordance with the present design;

FIG. 2 is a front elevational view thereof;

FIG. 3 is a rear elevational view thereof;

FIG. 4 is a right side elevational view thereof;

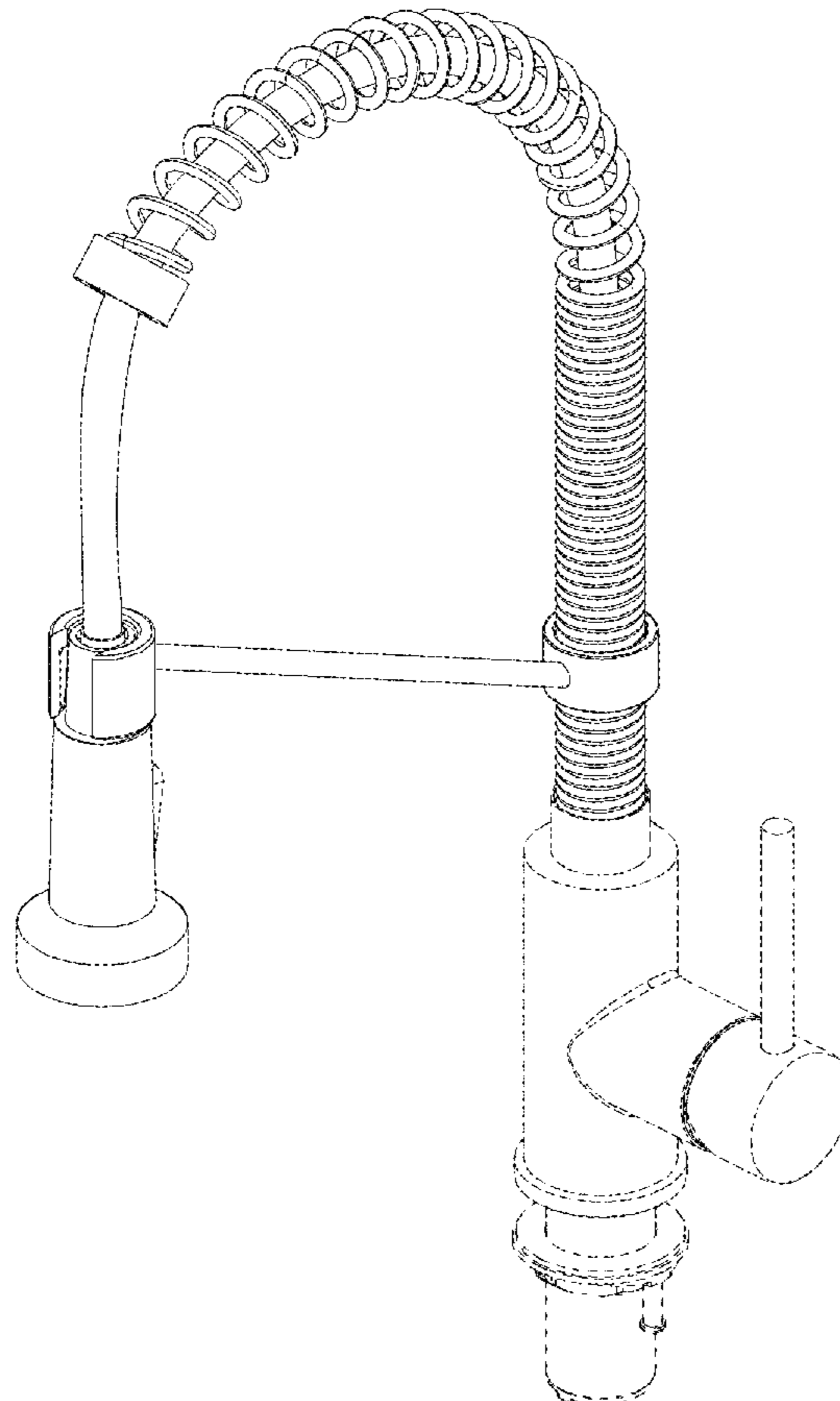
FIG. 5 is a left side elevational thereof;

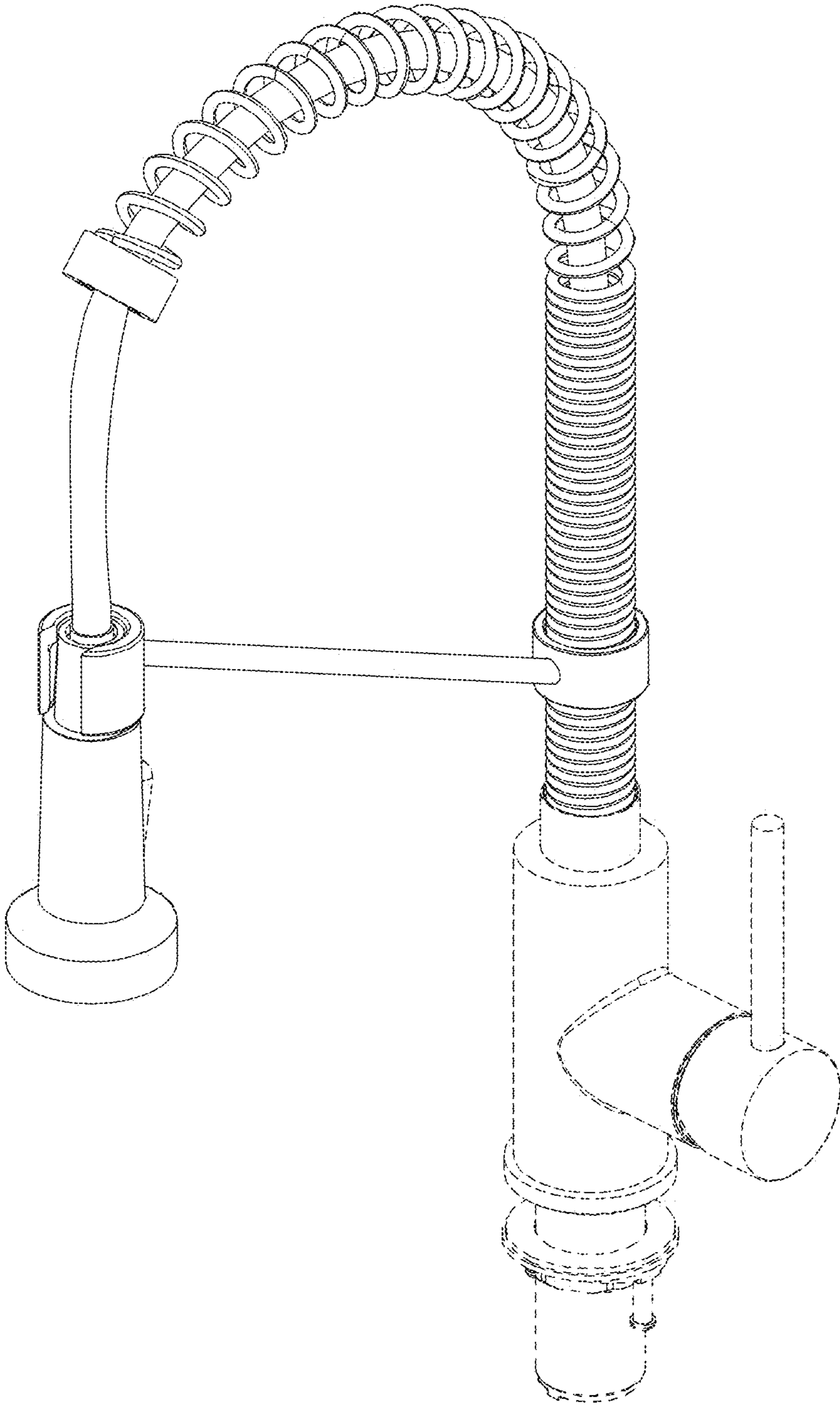
FIG. 6 is a top plan view thereof; and,

FIG. 7 is a bottom plan view thereof.

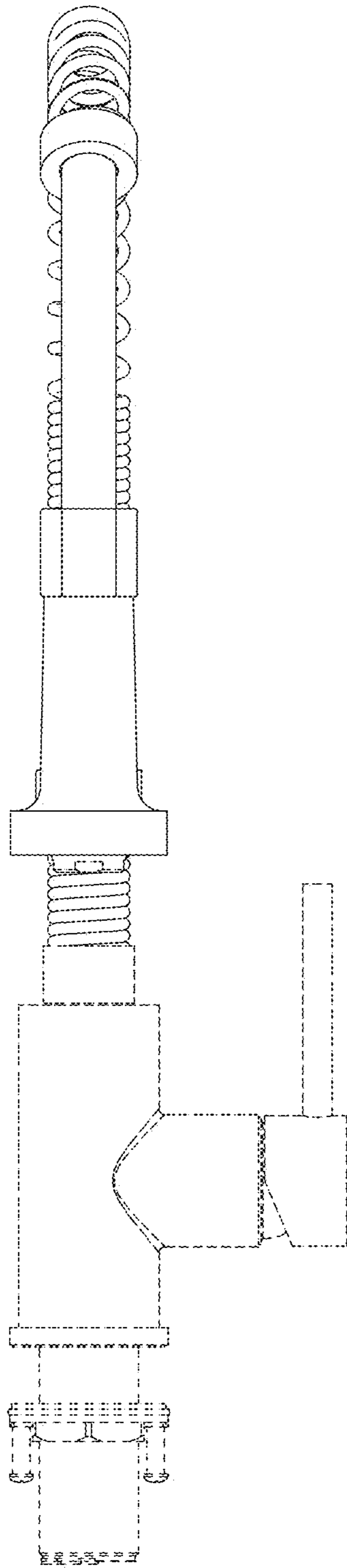
The broken lines shown are included for the purpose of illustrating a portion of the faucet that form no part of the claimed design.

**1 Claim, 7 Drawing Sheets**

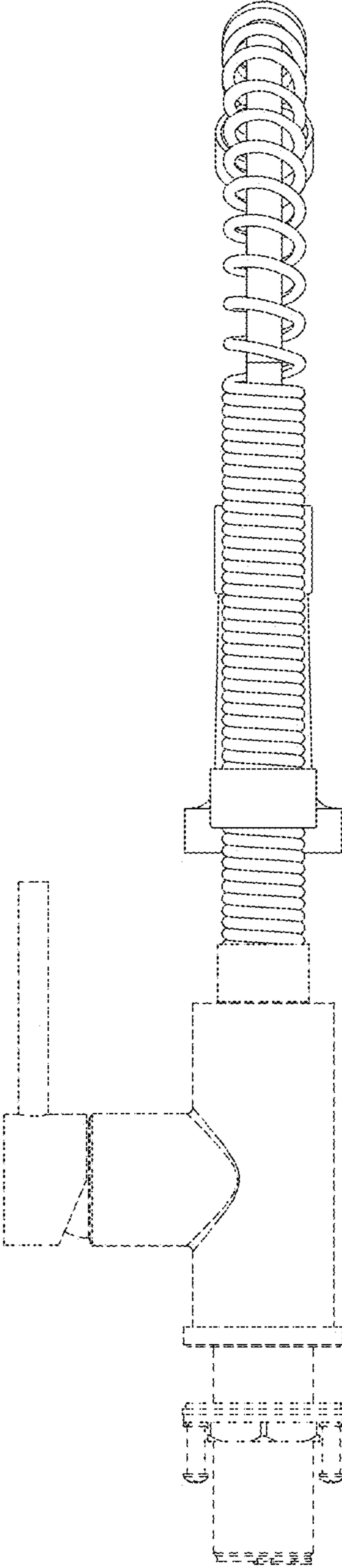




**FIG. 1**



**FIG. 2**



**FIG. 3**

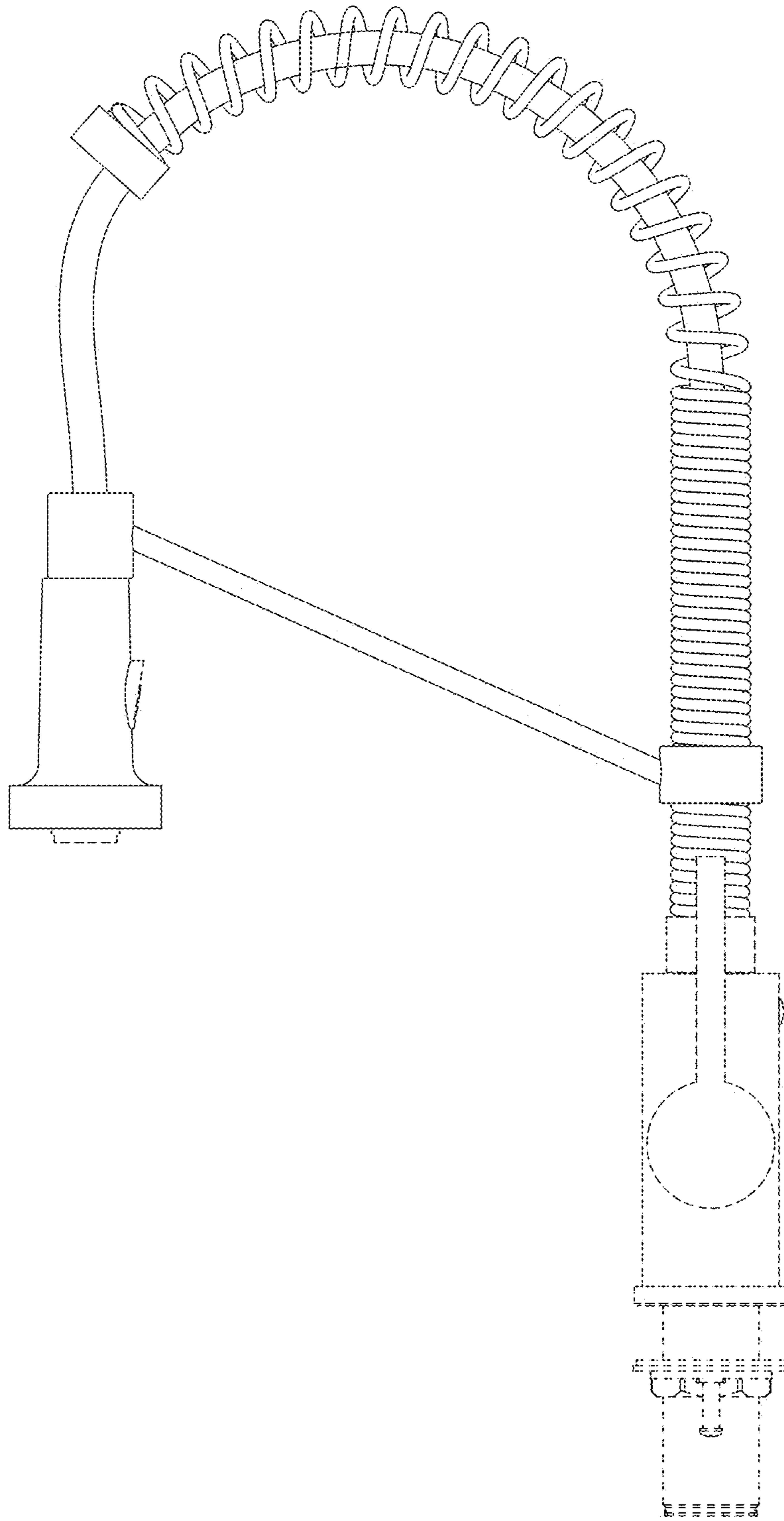
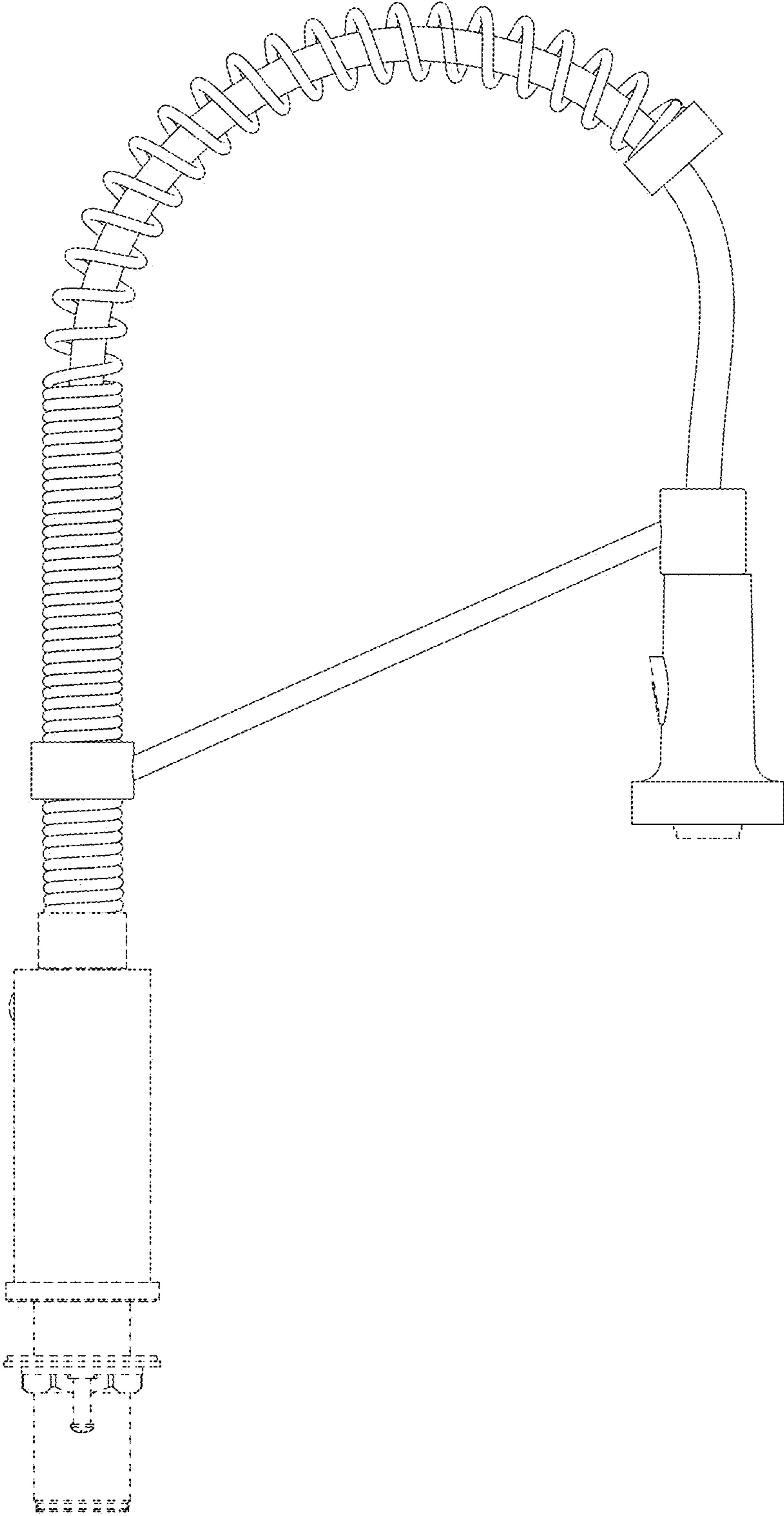
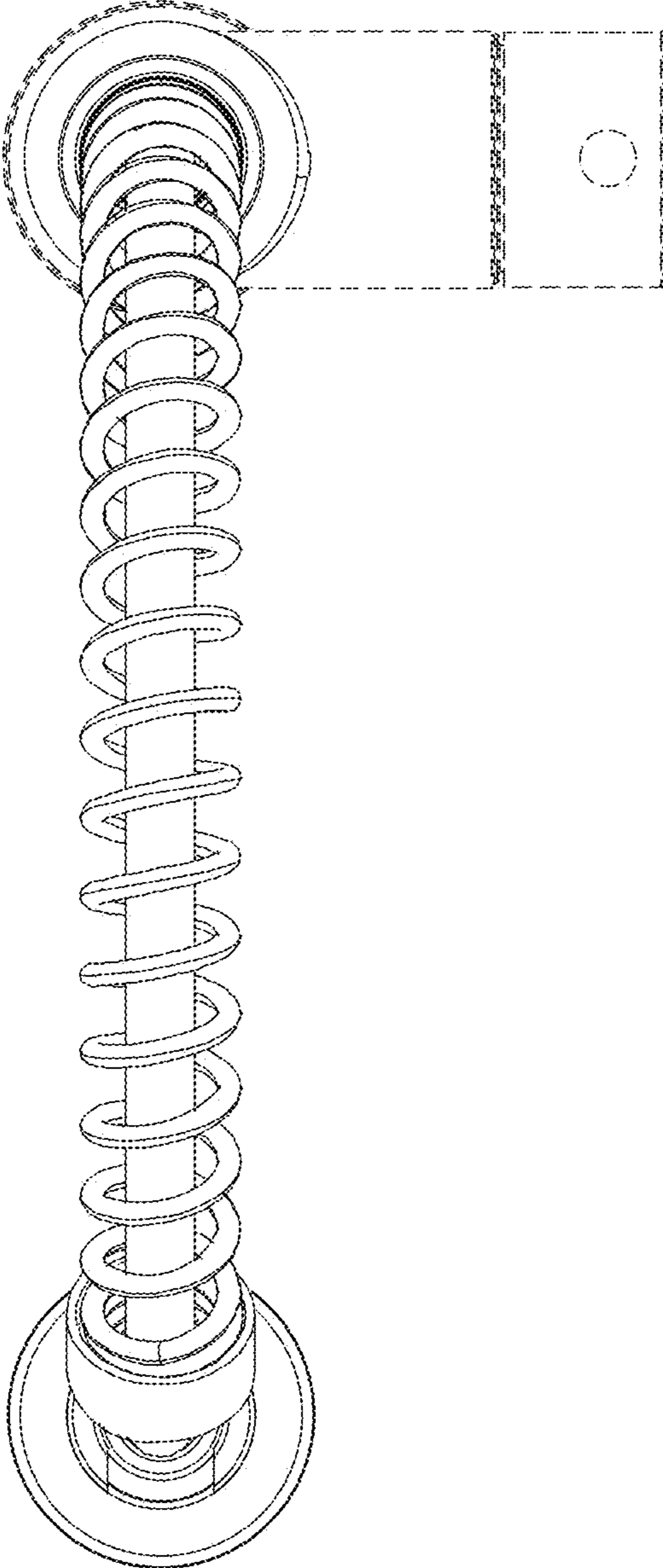


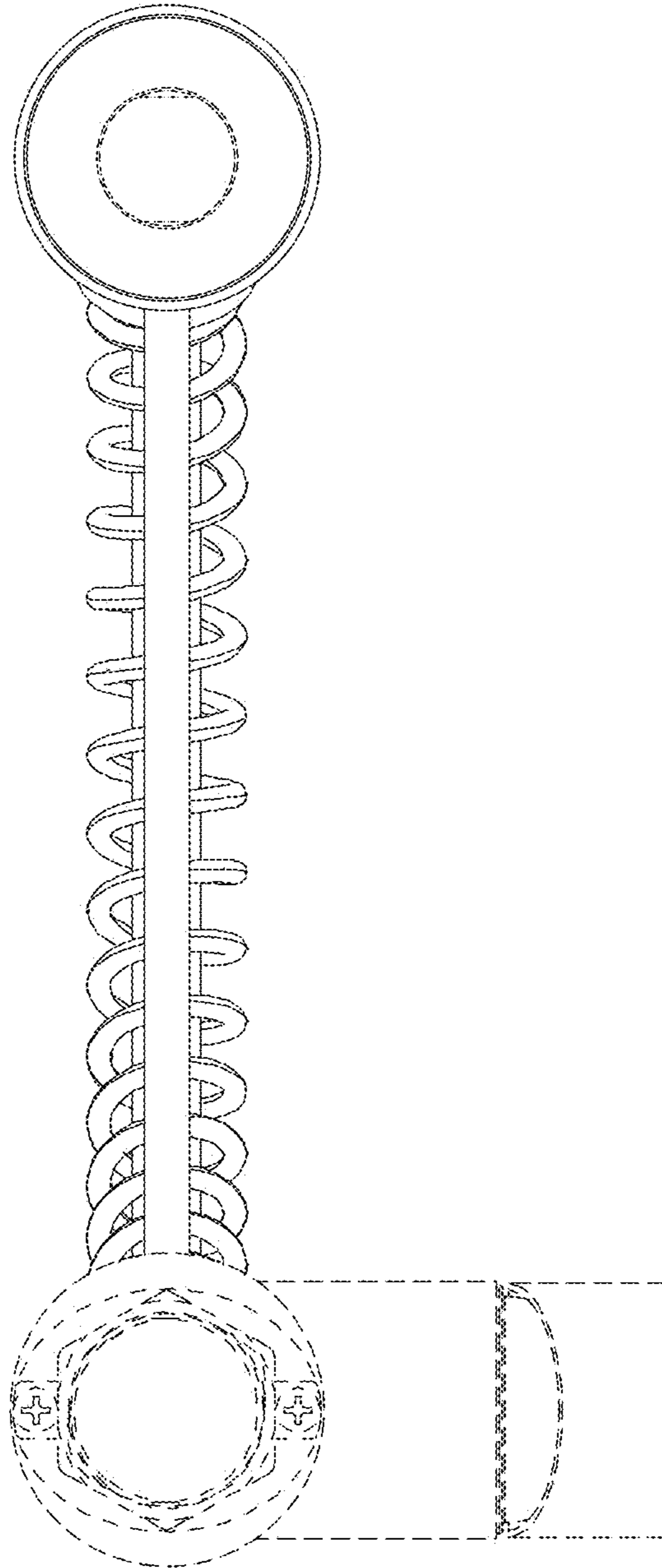
FIG. 4



**FIG. 5**



**FIG. 6**



**FIG. 7**