



US00D890885S

(12) **United States Design Patent**  
**Tsai**

(10) **Patent No.:** **US D890,885 S**

(45) **Date of Patent:** **\*\* Jul. 21, 2020**

(54) **FAUCET HANDLE**

(71) Applicant: **GLOBE UNION INDUSTRIAL CORP.**, Taichung (TW)

(72) Inventor: **Tun-Yao Tsai**, Taichung (TW)

(73) Assignee: **GLOBE UNION INDUSTRIAL CORP.**, Taichung (TW)

(\*\*) Term: **15 Years**

(21) Appl. No.: **29/673,978**

(22) Filed: **Dec. 19, 2018**

(51) **LOC (12) Cl.** ..... **23-01**

(52) **U.S. Cl.**  
USPC ..... **D23/252**

(58) **Field of Classification Search**  
USPC ..... D23/238, 241–243, 249–150, 252, 254;  
D8/307–308  
CPC ..... Y10T 137/9464; Y10T 137/6014; Y10T  
137/6017  
See application file for complete search history.

(56) **References Cited**

**U.S. PATENT DOCUMENTS**

D476,398 S \* 6/2003 Ouyoung ..... D23/252  
D513,527 S \* 1/2006 Ouyoung ..... D23/252

D519,613 S \* 4/2006 Spangler ..... D23/241  
D522,100 S \* 5/2006 Fritz ..... D23/252  
D588,236 S \* 3/2009 Schoenherr ..... D23/252  
D644,303 S \* 8/2011 Slothower ..... D23/252  
D703,793 S \* 4/2014 Georgeson ..... D23/252  
D767,729 S \* 9/2016 Hong ..... D23/252  
D796,641 S \* 9/2017 Liao ..... D23/252  
D820,410 S \* 6/2018 Zeng ..... D23/242

\* cited by examiner

*Primary Examiner* — Robert A Delehanty

(74) *Attorney, Agent, or Firm* — Leong C. Lei

(57) **CLAIM**

The ornamental design for a faucet handle, as shown and described.

**DESCRIPTION**

FIG. 1 is a perspective view of a faucet handle showing my new design;

FIG. 2 is a front elevational view thereof;

FIG. 3 is a rear elevational view thereof;

FIG. 4 is a left side elevational view thereof;

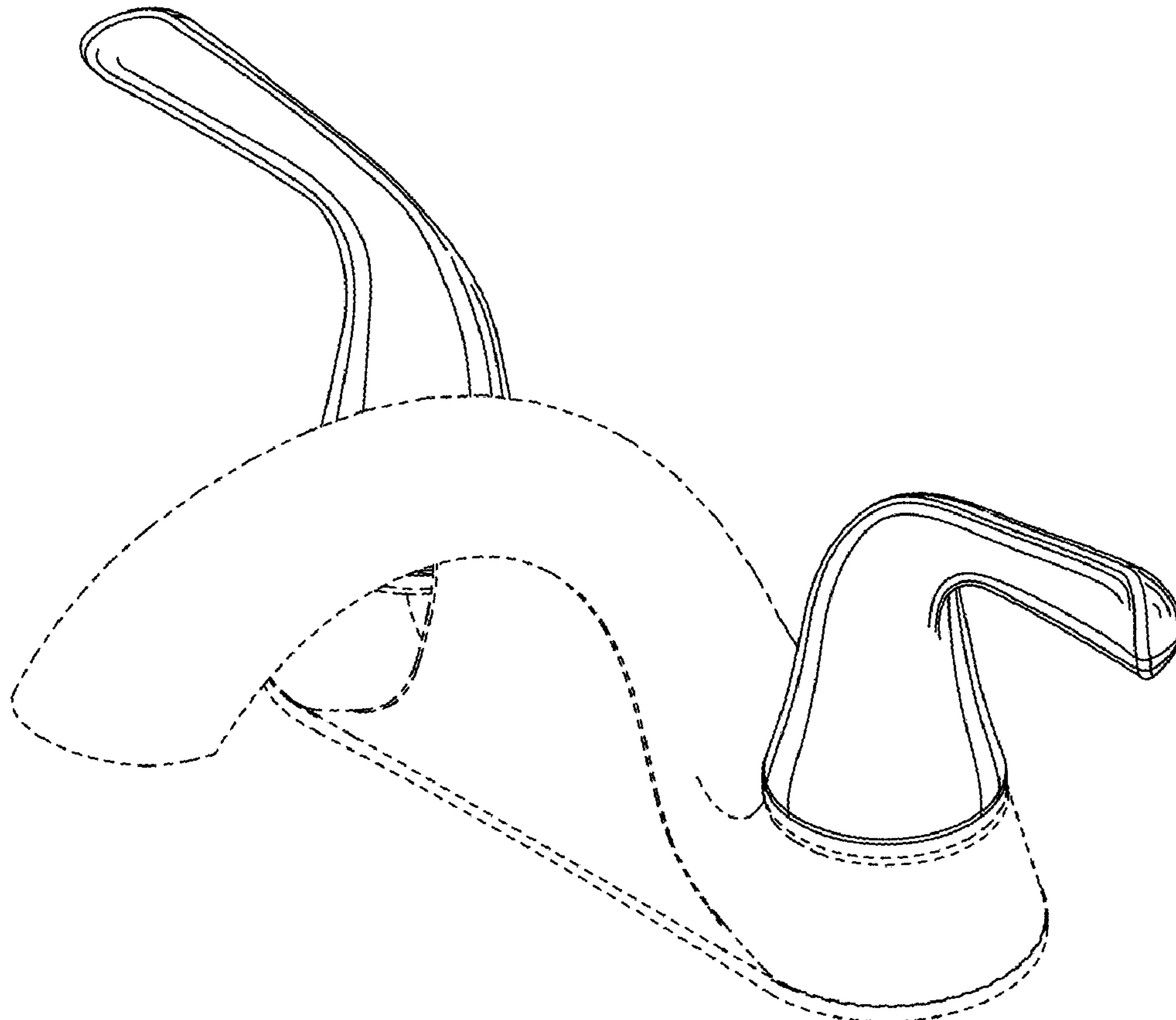
FIG. 5 is a right side elevational view thereof;

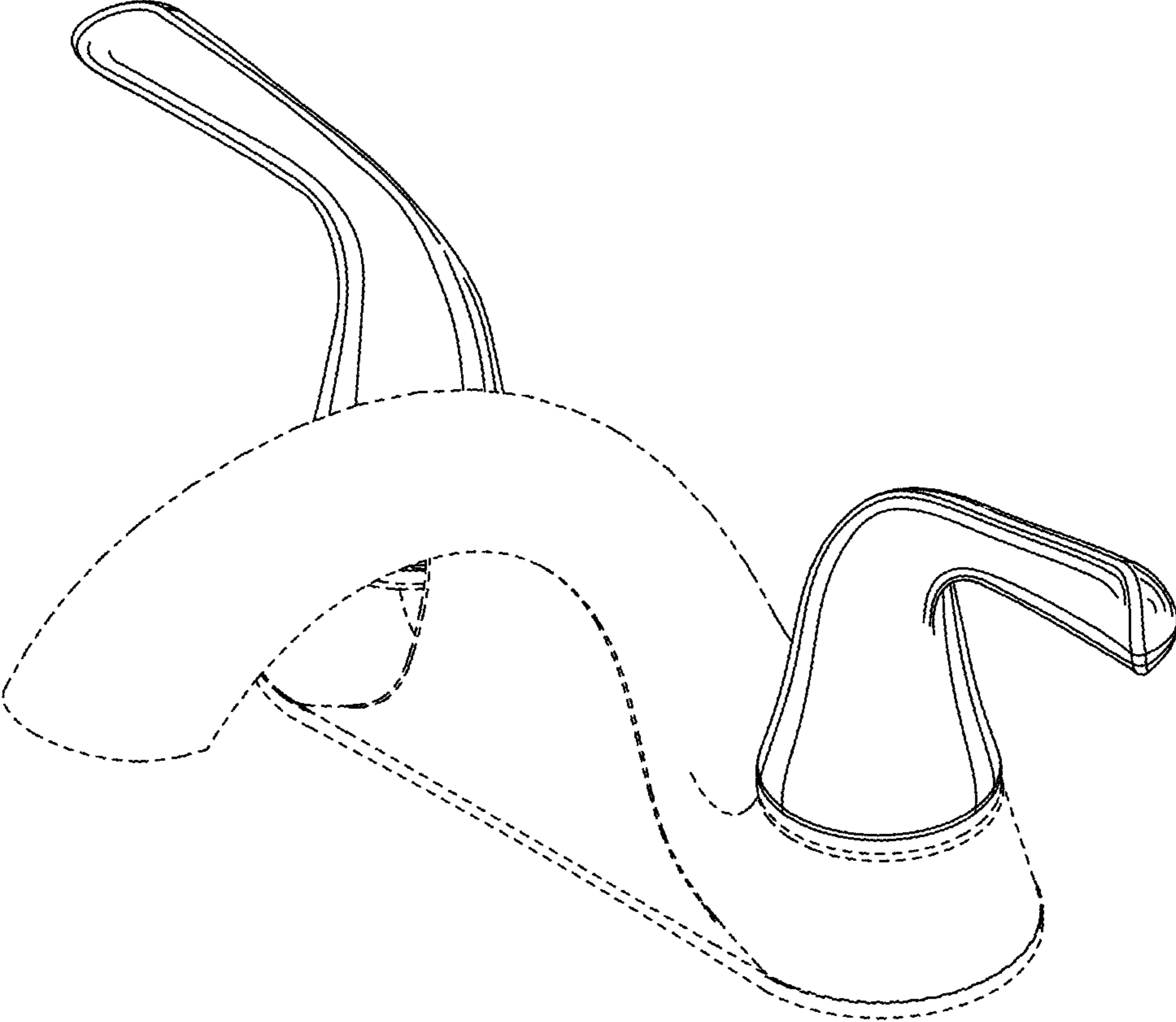
FIG. 6 is a top plan view thereof; and,

FIG. 7 is a bottom plan view thereof.

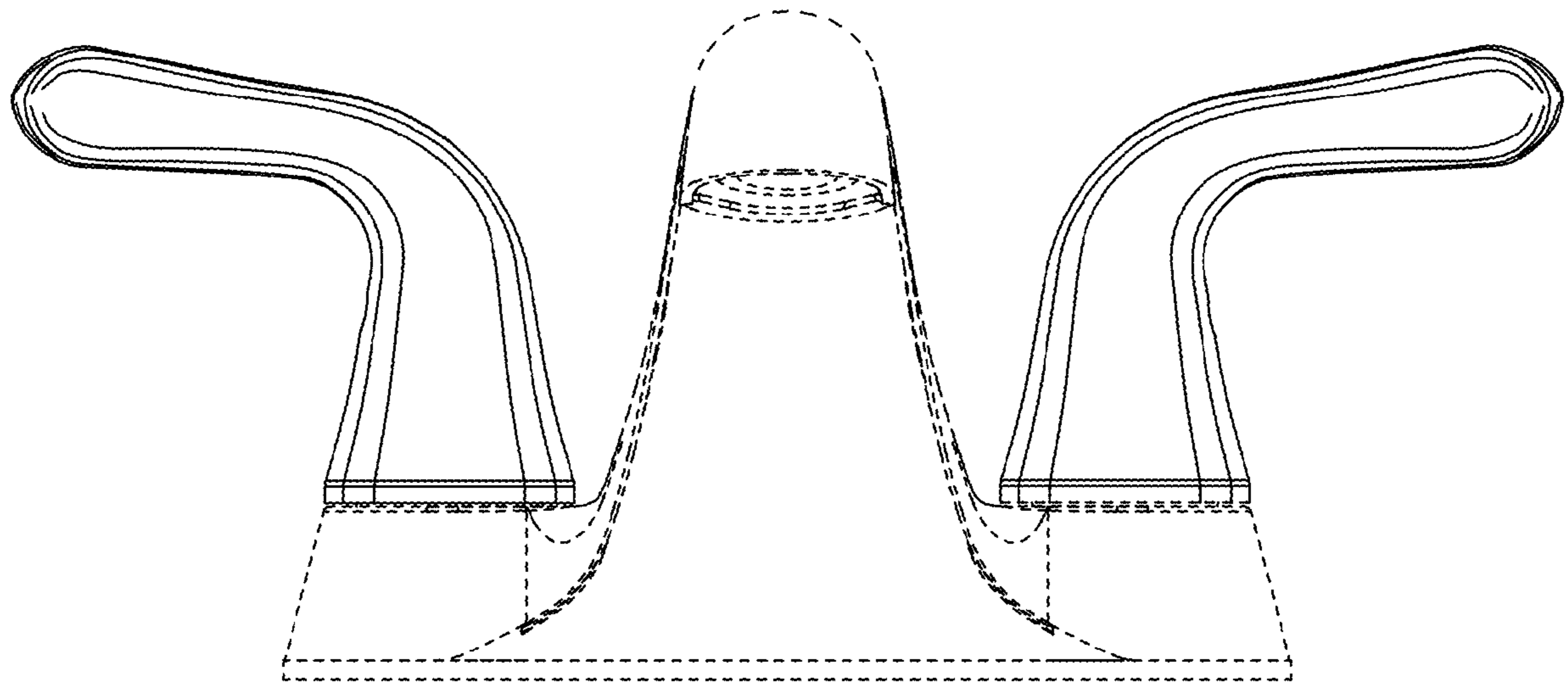
The portions shown in broken lines form no part of the claimed design.

**1 Claim, 6 Drawing Sheets**

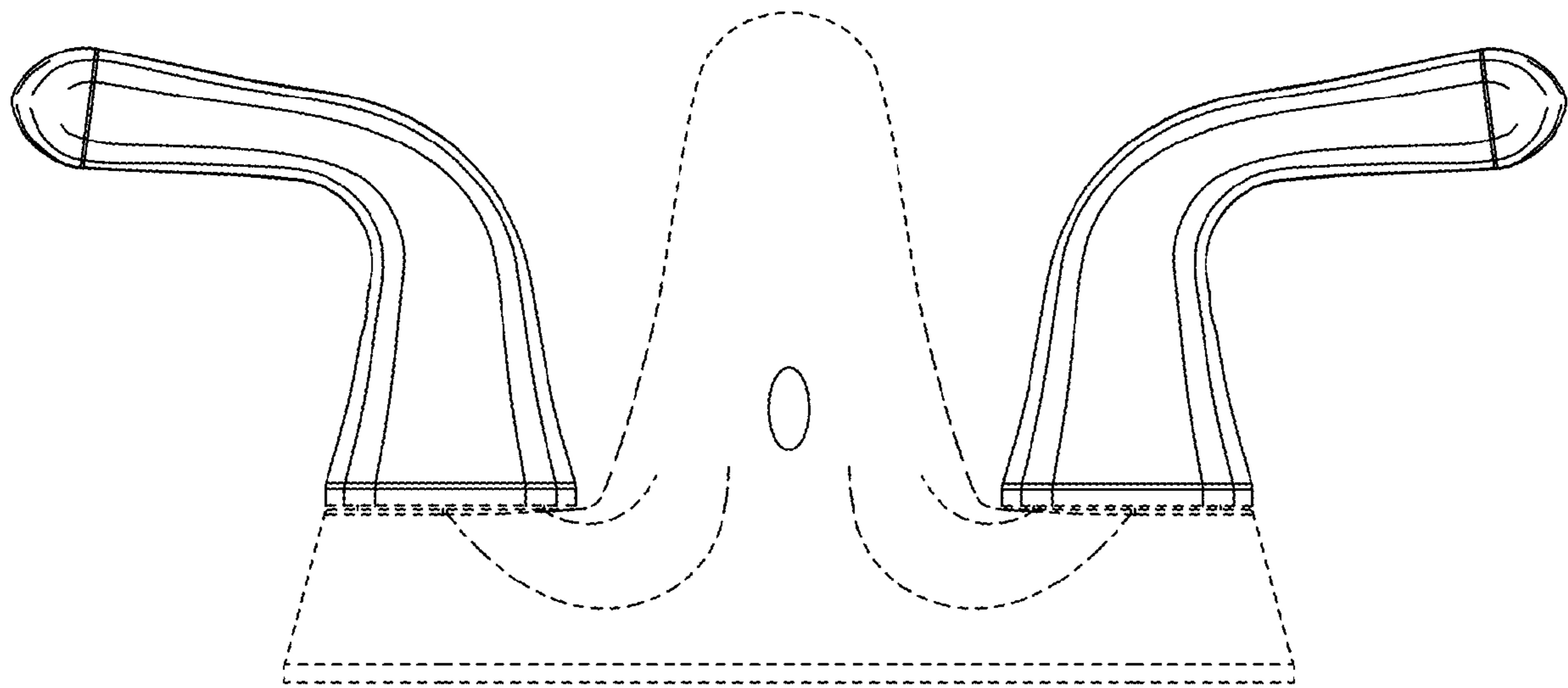




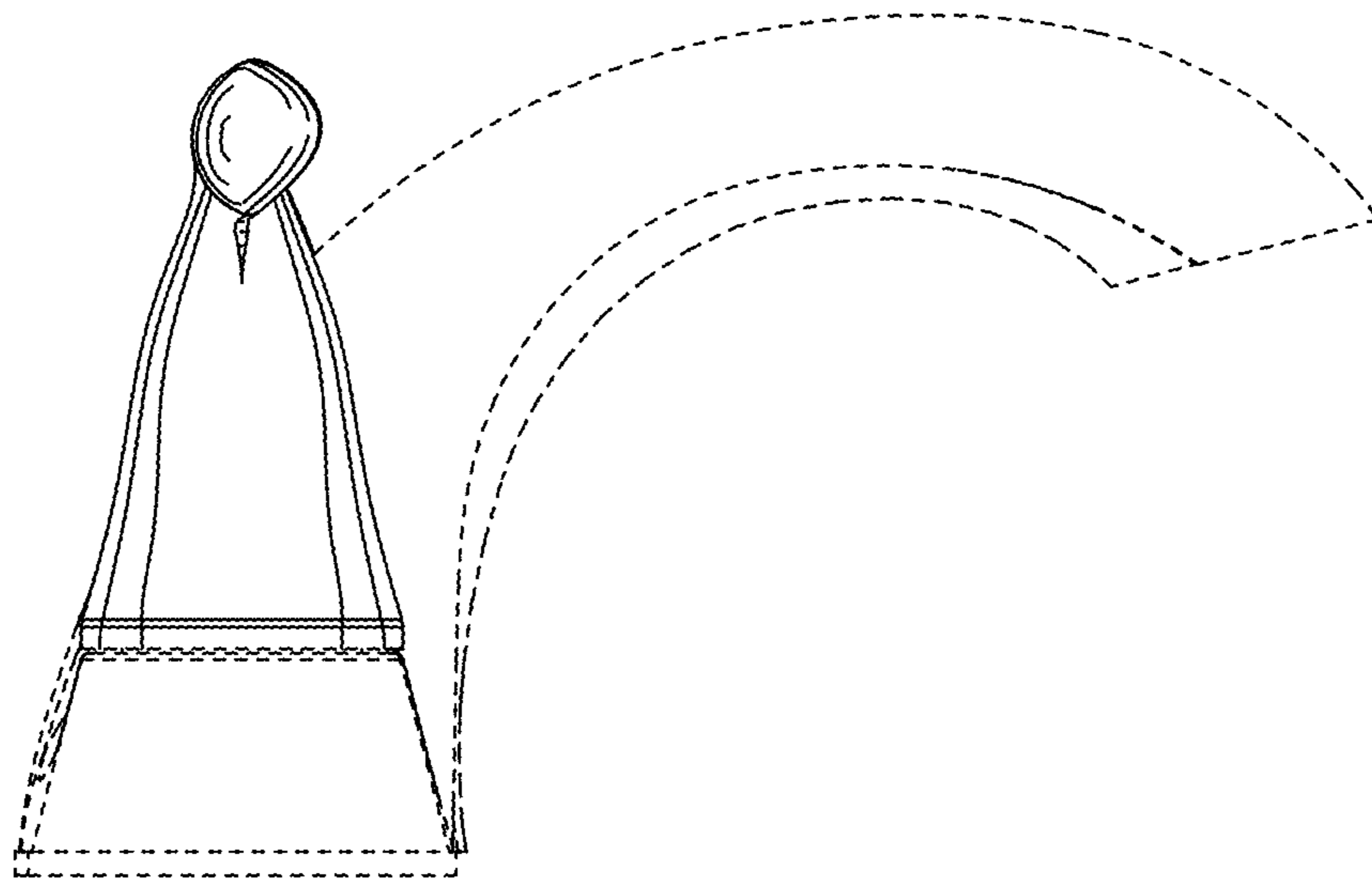
**F I G. 1**



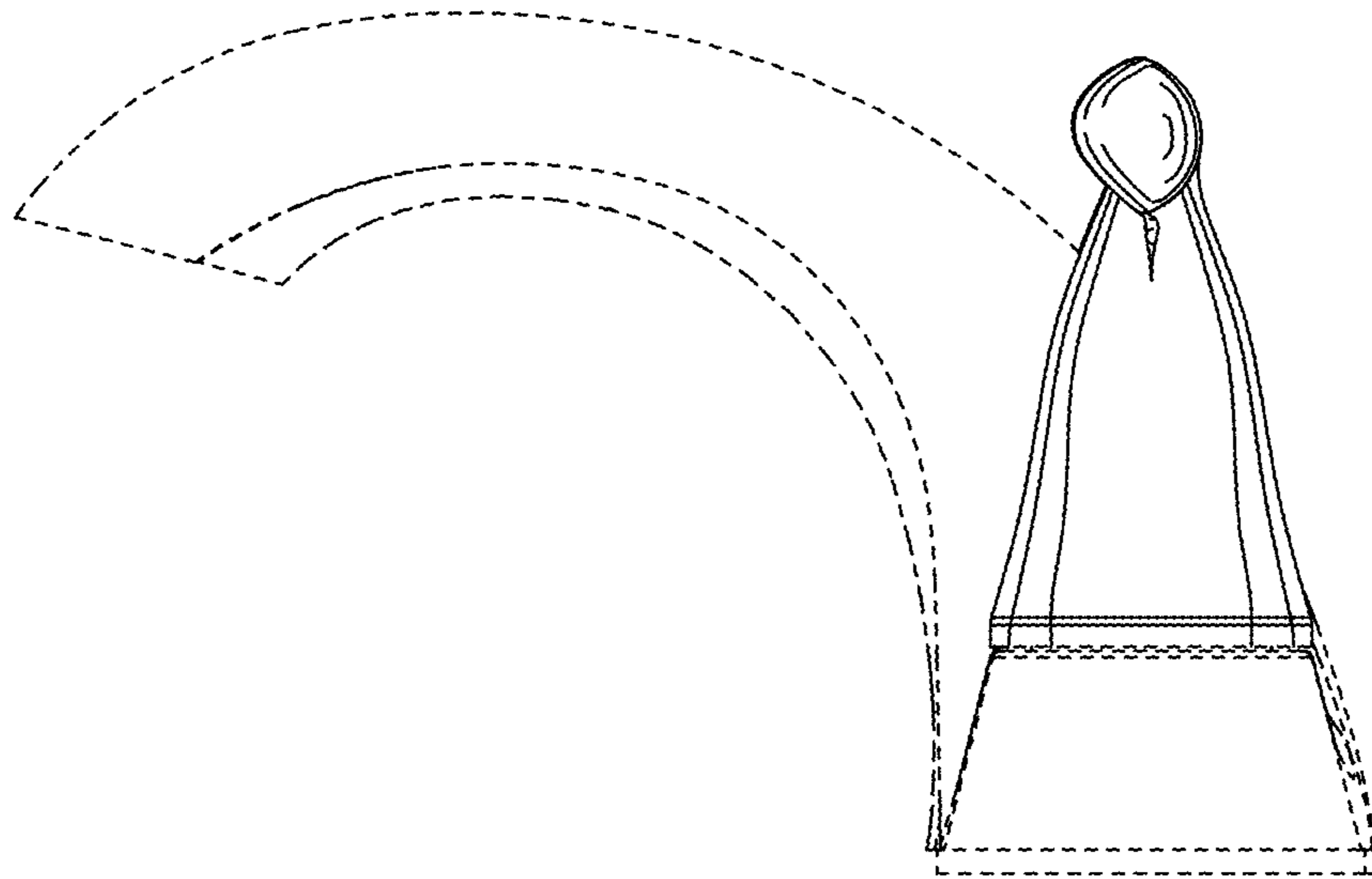
**FIG. 2**



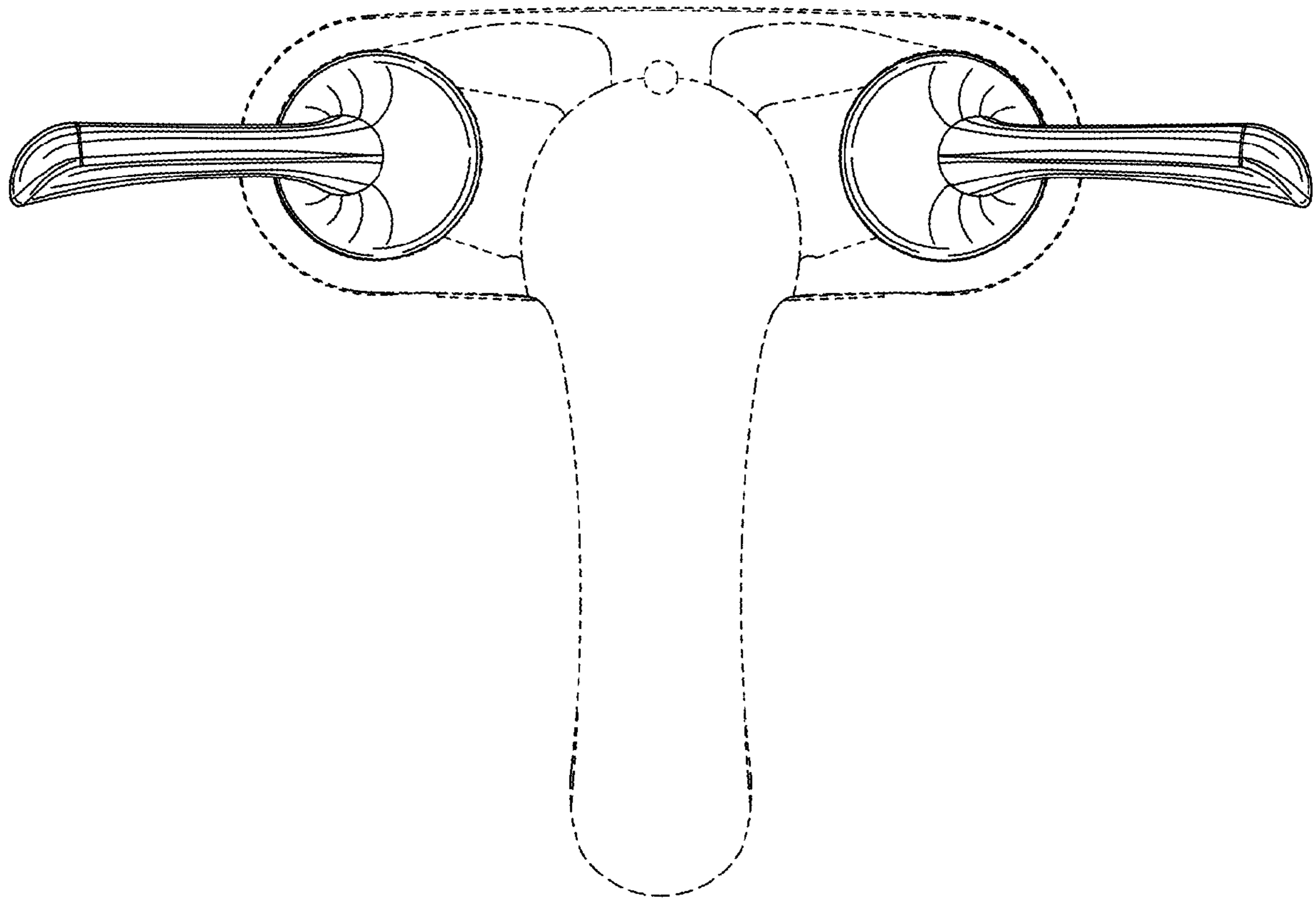
**F I G. 3**



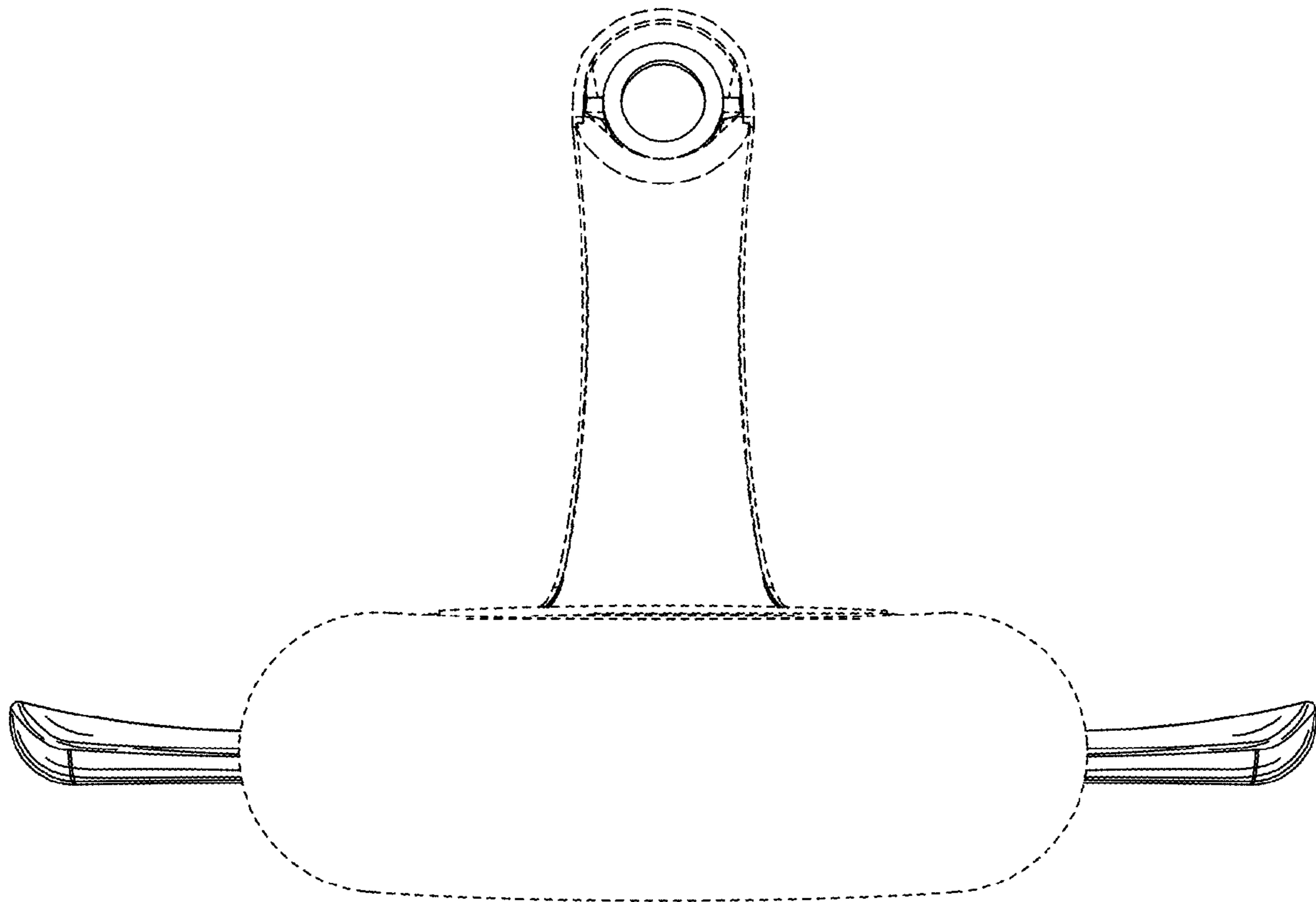
**F I G . 4**



**F I G . 5**



**F I G. 6**



**F I G . 7**