



US00D890884S

(12) **United States Design Patent** (10) **Patent No.:** **US D890,884 S**  
**Downey** (45) **Date of Patent:** **\*\* Jul. 21, 2020**

(54) **SHOWER COLUMN**  
(71) Applicant: **Spectrum Brands, Inc.**, Middleton, WI (US)  
(72) Inventor: **David Downey**, Mission Viejo, CA (US)  
(73) Assignee: **Spectrum Brands, Inc.**, Middleton, WI (US)  
(\*\*) Term: **15 Years**  
(21) Appl. No.: **29/675,158**  
(22) Filed: **Dec. 28, 2018**  
(51) **LOC (12) Cl.** ..... **23-01**  
(52) **U.S. Cl.**  
USPC ..... **D23/239**  
(58) **Field of Classification Search**  
USPC ..... D23/238, 241-243, 249-250, 252, D23/254-255, 257, 239, 226; D8/307-308  
CPC ..... Y10T 137/9464; Y10T 137/6014; Y10T 137/6017  
See application file for complete search history.

6,024,331 A 2/2000 Bischoff et al.  
6,032,877 A 3/2000 Kagan  
6,038,715 A 3/2000 Flieger et al.  
6,079,061 A 6/2000 Fan  
6,082,624 A 7/2000 Heinzelmann et al.  
6,123,308 A 9/2000 Faisst

(Continued)

*Primary Examiner* — Robert A Delehanty  
(74) *Attorney, Agent, or Firm* — Banner & Witcoff, Ltd.

(57) **CLAIM**

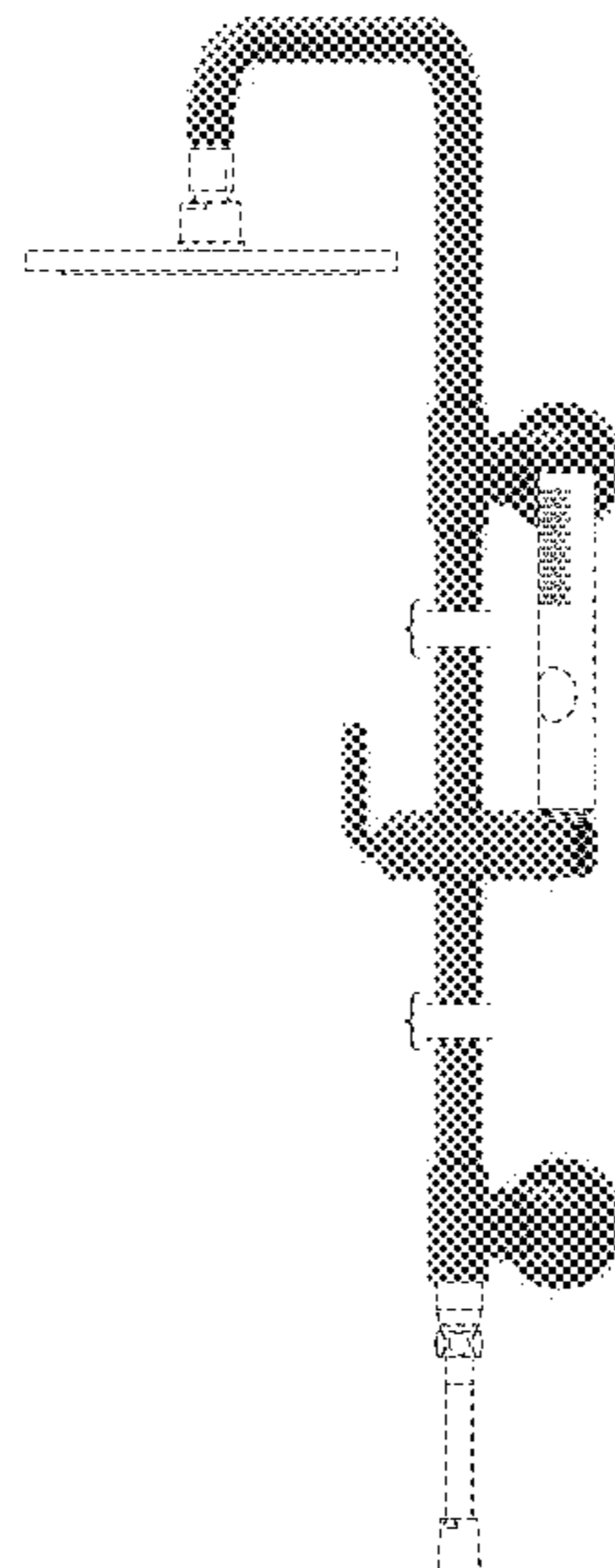
The ornamental design for a shower column, as shown and described.

**DESCRIPTION**

FIG. 1 is a front perspective view of a shower column showing my new design;  
FIG. 2 is a right side view thereof;  
FIG. 3 is a left side view thereof;  
FIG. 4 is a front view thereof;  
FIG. 5 is a rear view thereof;  
FIG. 6 is a top view thereof;  
FIG. 7 is a bottom view thereof;  
FIG. 8 is a front perspective view of a second embodiment of a shower column showing my new design;  
FIG. 9 is a right side view thereof;  
FIG. 10 is a left side view thereof;  
FIG. 11 is a front view thereof;  
FIG. 12 is a rear view thereof;  
FIG. 13 is a top view thereof; and,  
FIG. 14 is a bottom view thereof.  
The shower column is shown with symbolic breaks in its height. The appearance of any portion of the shower column between the break lines forms no part of the claimed design. The broken lines immediately adjacent to the photographic area define the bounds of the claimed design and form no part thereof. The broken lines depicting the remainder of the shower column show features that form no part of the claimed design.

(56) **References Cited**  
U.S. PATENT DOCUMENTS  
5,813,431 A 9/1998 Cool et al.  
5,823,441 A 10/1998 Nicholson  
5,829,469 A 11/1998 Sileno, Jr. et al.  
5,833,192 A 11/1998 Buhrman  
5,845,670 A 12/1998 Life  
5,845,674 A 12/1998 Clare  
5,855,348 A 1/1999 Fornara  
5,857,225 A 1/1999 Bischoff et al.  
5,857,227 A 1/1999 Trusty et al.  
5,870,781 A 2/1999 Williams  
5,896,599 A 4/1999 Bosio  
5,924,449 A 7/1999 Enoki et al.  
5,974,604 A 11/1999 Barnea

**1 Claim, 14 Drawing Sheets**



(56)

References Cited

U.S. PATENT DOCUMENTS

6,131,887	A	10/2000	Kuhne	7,987,533	B2	8/2011	Phipps et al.
6,233,757	B1	5/2001	Graham et al.	8,020,787	B2	9/2011	Leber et al.
6,256,808	B1	7/2001	Graham et al.	8,024,822	B2	9/2011	Macan et al.
6,276,003	B1	8/2001	Knapp	D648,825	S *	11/2011	Ando ..... D23/228
6,361,005	B1	3/2002	Faisst et al.	8,132,745	B2	3/2012	Leber et al.
6,363,961	B1	4/2002	Wang	8,156,579	B2	4/2012	Renfrew
6,427,713	B1	8/2002	Dempsey et al.	8,176,580	B2	5/2012	Kajuch et al.
6,438,767	B1	8/2002	Warshawsky	8,191,185	B2	6/2012	Tsai
6,449,784	B1	9/2002	Pelletz	8,205,846	B2	6/2012	Glunk
6,453,486	B1	9/2002	Chen	8,210,203	B2	7/2012	DeVries et al.
6,473,916	B2	11/2002	Schiødt	8,220,480	B2	7/2012	Assenmacher et al.
6,550,079	B2	4/2003	Gransow et al.	8,225,434	B2	7/2012	Grohe
6,644,333	B2	11/2003	Glodt	D665,873	S	8/2012	Wilson
6,802,089	B2	10/2004	Cropelli	D666,277	S *	8/2012	Schaefer ..... D23/252
6,802,424	B2	10/2004	Ouyoung	8,251,090	B2	8/2012	Lin
6,817,381	B2	11/2004	Otsuki et al.	8,268,168	B2	9/2012	Mang
6,877,523	B2	4/2005	Dempsey et al.	8,382,011	B1	2/2013	Baldacchino
6,880,565	B2	4/2005	Ouyoung	8,448,270	B2	5/2013	Yang
6,926,035	B2	8/2005	Ozagir	D685,453	S	7/2013	Wilson
6,997,200	B2	2/2006	King	D687,924	S	8/2013	Newson
7,000,265	B2	2/2006	Faisst	8,566,975	B1	10/2013	Lin
7,000,854	B2	2/2006	Malek et al.	8,572,771	B1	11/2013	Zhadanov et al.
D522,102	S *	5/2006	Fritz ..... D23/252	8,602,059	B2	12/2013	Miller et al.
7,043,776	B1	5/2006	Wu	8,621,681	B2	1/2014	Macan et al.
D522,630	S *	6/2006	Fritz ..... D23/252	D702,817	S	4/2014	Ryu
7,059,349	B2	6/2006	Breda	8,683,624	B1	4/2014	Zhadanov et al.
7,082,626	B2	8/2006	Williams et al.	8,800,069	B2	8/2014	Culwell
7,100,636	B2	9/2006	King	8,800,893	B2	8/2014	Malek et al.
7,104,473	B2	9/2006	Bosio	8,919,709	B2	12/2014	Zhou et al.
D531,267	S *	10/2006	Hundley ..... D23/238	8,978,175	B2	3/2015	Bronstein
7,121,303	B1	10/2006	Hwang	8,985,147	B2	3/2015	Chang
7,143,961	B1	12/2006	Wu et al.	8,985,148	B2	3/2015	Chang
7,165,570	B1	1/2007	Lordahl et al.	9,149,826	B2	10/2015	Vartanian et al.
7,191,476	B1	3/2007	Ko	9,255,388	B2	2/2016	Huang
7,197,776	B2	4/2007	Tsai	9,273,452	B2	3/2016	Wilson
7,219,376	B1	5/2007	Zhou	9,382,699	B2	7/2016	Andersen et al.
7,258,322	B1	8/2007	Yang	9,399,860	B2	7/2016	Lev
7,293,302	B2	11/2007	Mesa	9,410,309	B2	8/2016	Sharratt et al.
7,296,593	B2	11/2007	Matsui et al.	9,476,523	B2	10/2016	Ho
7,360,723	B2	4/2008	Lev	9,506,228	B2	11/2016	Zhou et al.
7,404,418	B1	7/2008	Olatunbosun	9,512,601	B2	12/2016	Bronstein
7,407,140	B2	8/2008	Sen	9,587,385	B2	3/2017	Andersen et al.
7,409,968	B2	8/2008	Yang	9,611,944	B2	4/2017	Chen et al.
7,520,298	B2	4/2009	George et al.	9,677,256	B2	6/2017	Wilson
7,575,019	B2	8/2009	Oh	9,677,257	B2	6/2017	Andersen et al.
7,640,605	B2	1/2010	Kollmann et al.	9,702,127	B2	7/2017	Lev
7,665,676	B2	2/2010	Lev	9,707,572	B2	7/2017	Erickson et al.
7,748,649	B2	7/2010	Fujii et al.	9,707,574	B2	7/2017	Soetaert et al.
7,766,291	B2	8/2010	Eilmus et al.	9,757,740	B2	9/2017	Erickson et al.
7,814,585	B1	10/2010	Reich	9,822,512	B2	11/2017	Chan
7,828,016	B2	11/2010	Otsuki et al.	9,822,924	B2	11/2017	Wu et al.
7,854,401	B2	12/2010	Malek	9,896,825	B2	2/2018	DiDea et al.
7,866,576	B1	1/2011	Farley	9,903,103	B2	2/2018	Ho
7,900,295	B2	3/2011	Lev	9,920,508	B2	3/2018	Chen
D639,385	S	6/2011	Flowers et al.	10,024,038	B2	7/2018	Wilson
7,967,027	B2	6/2011	Breda	10,245,610	B2 *	4/2019	Johnson ..... E03C 1/0409
				D867,533	S *	11/2019	Garland ..... D23/238
				2017/0233988	A1	8/2017	Wilson

\* cited by examiner

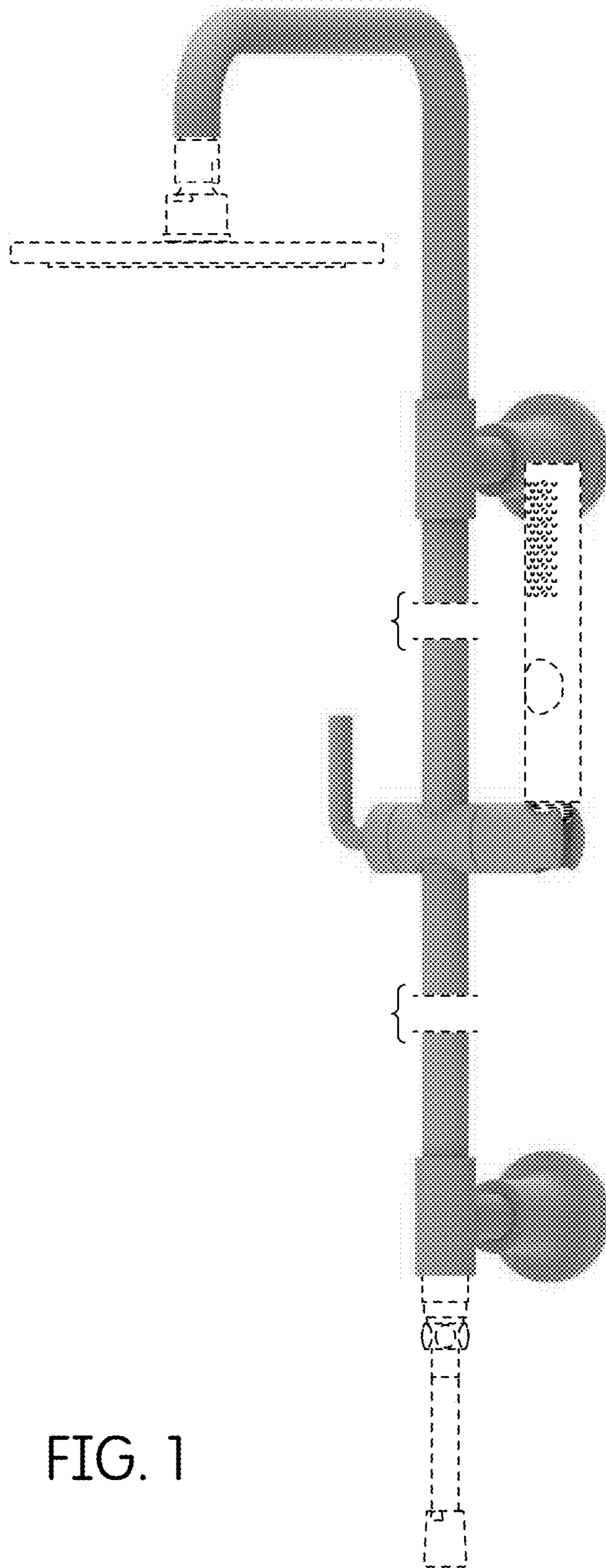


FIG. 1

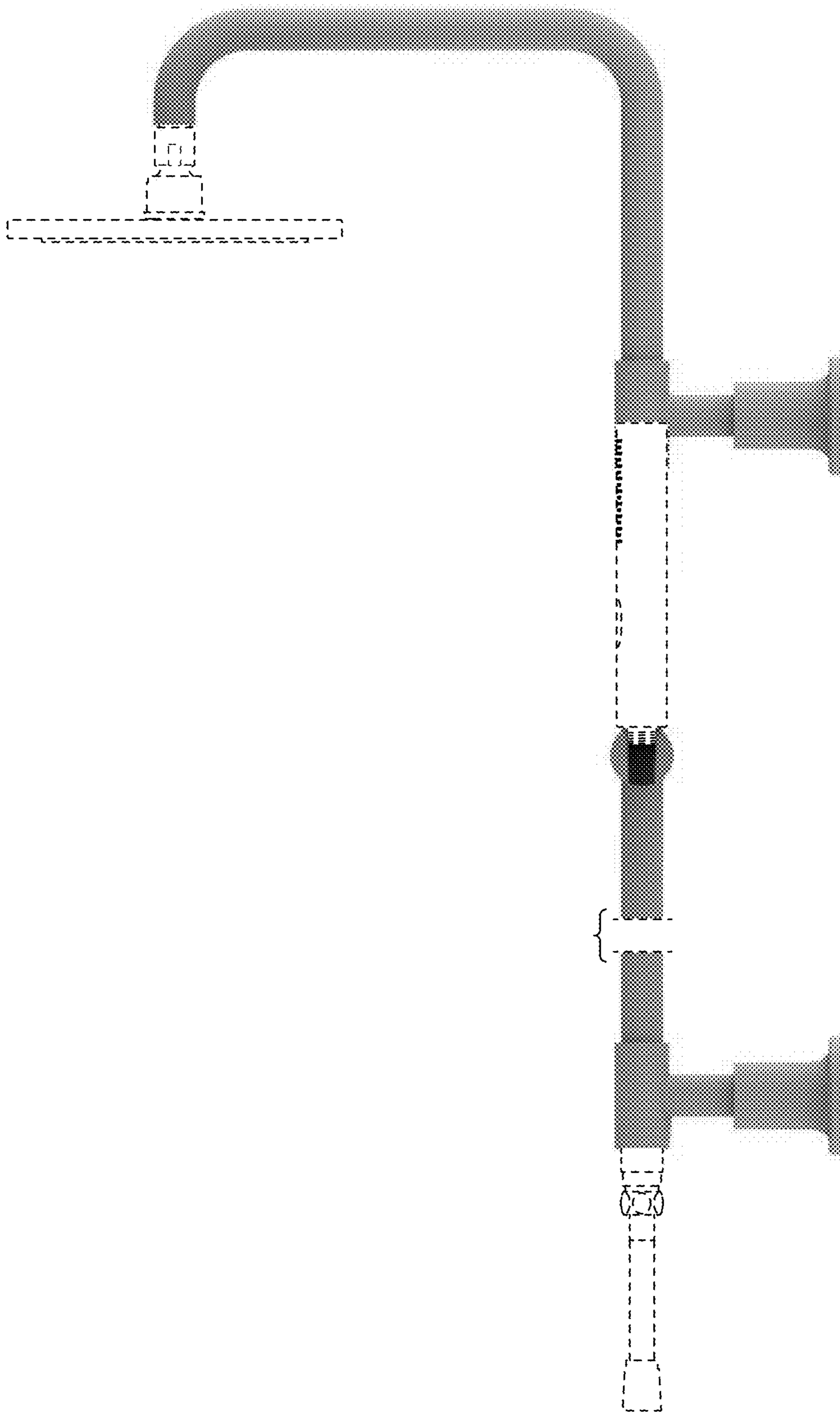


FIG. 2

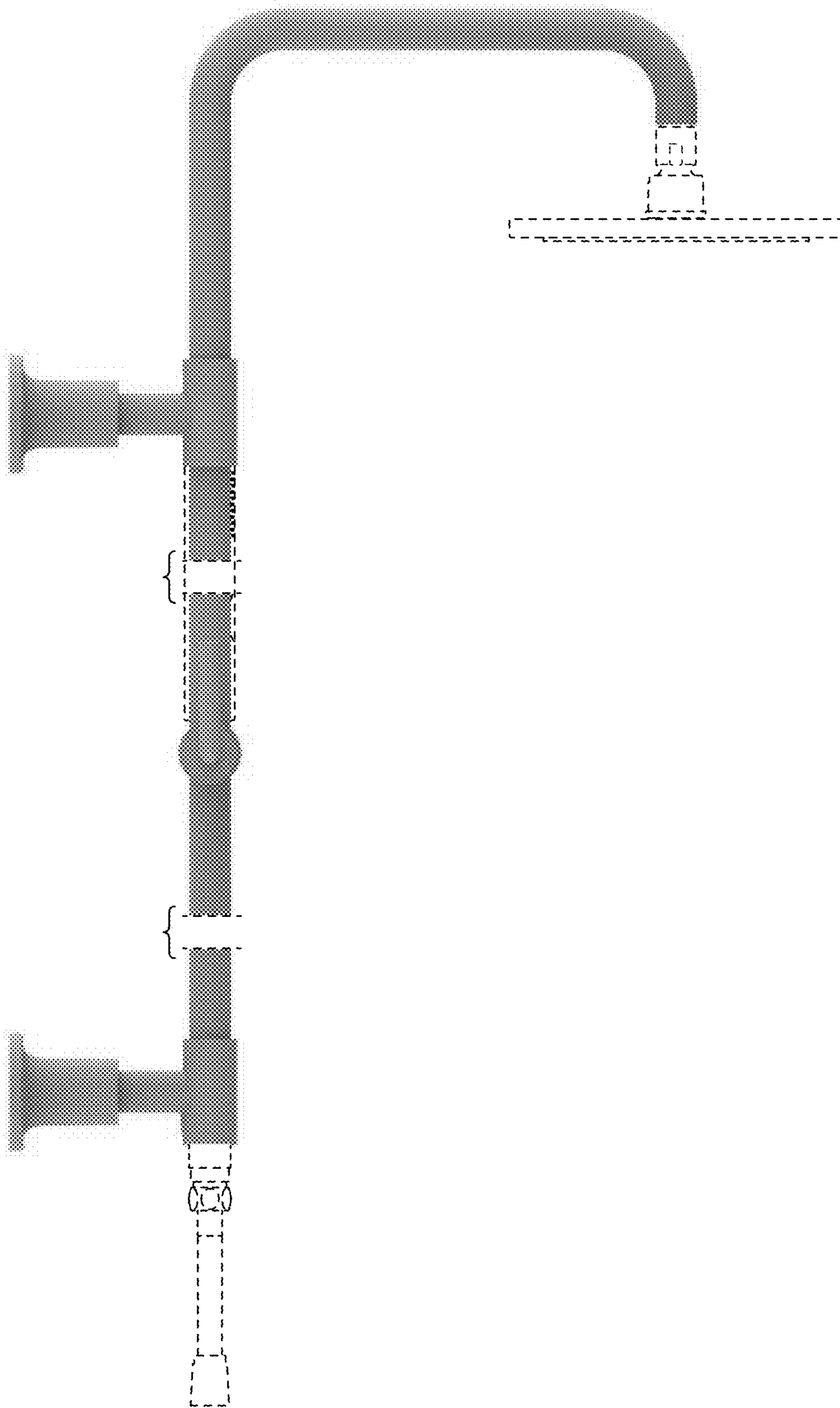


FIG. 3

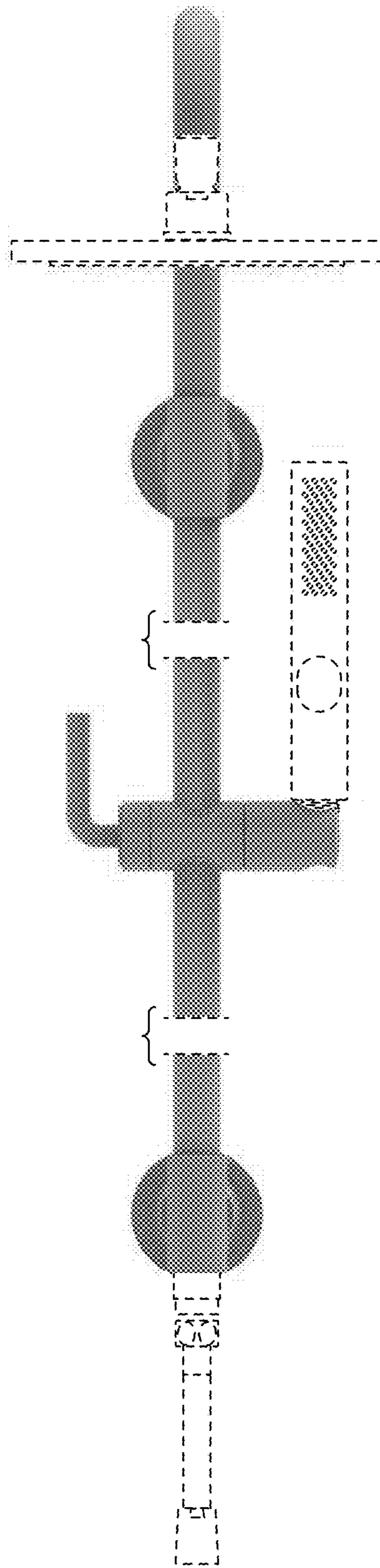


FIG. 4

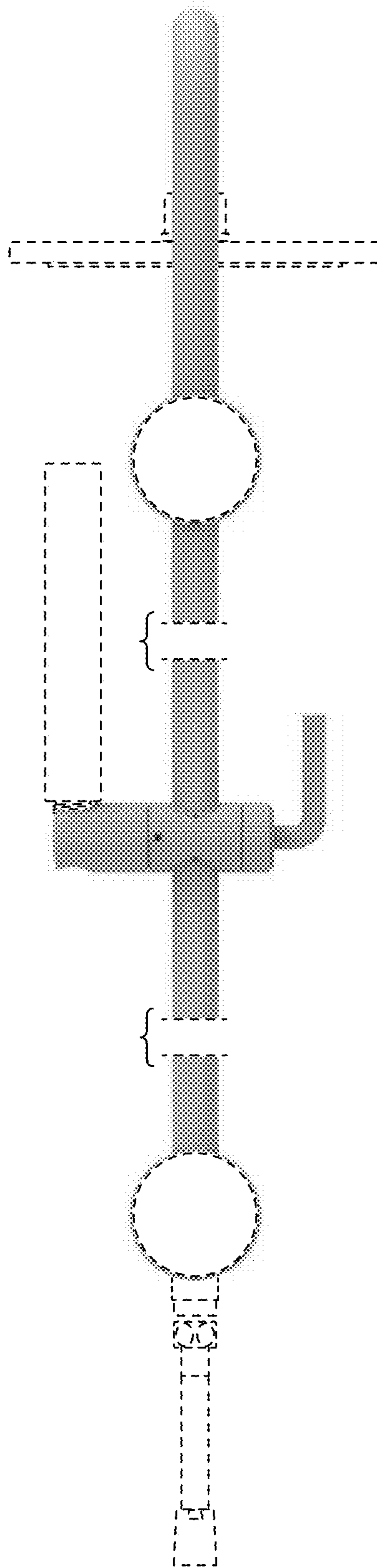


FIG. 5

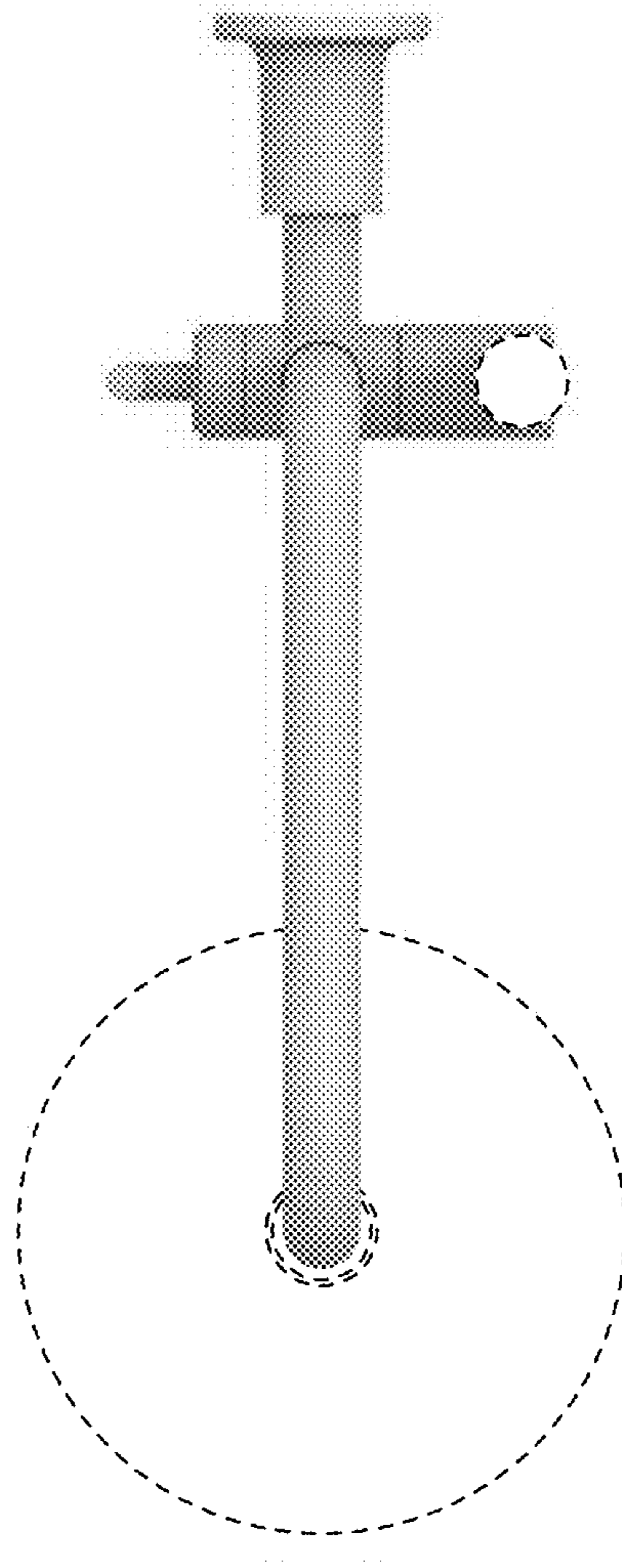


FIG. 6



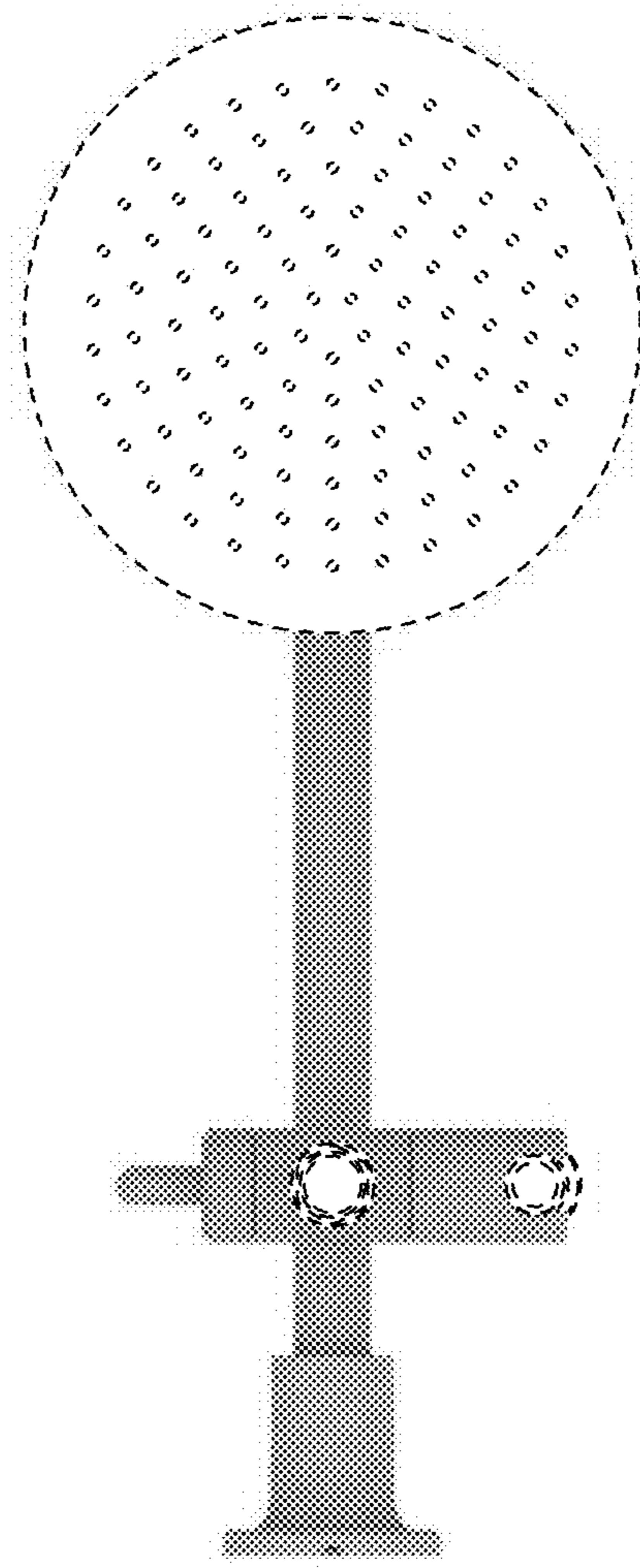


FIG. 7

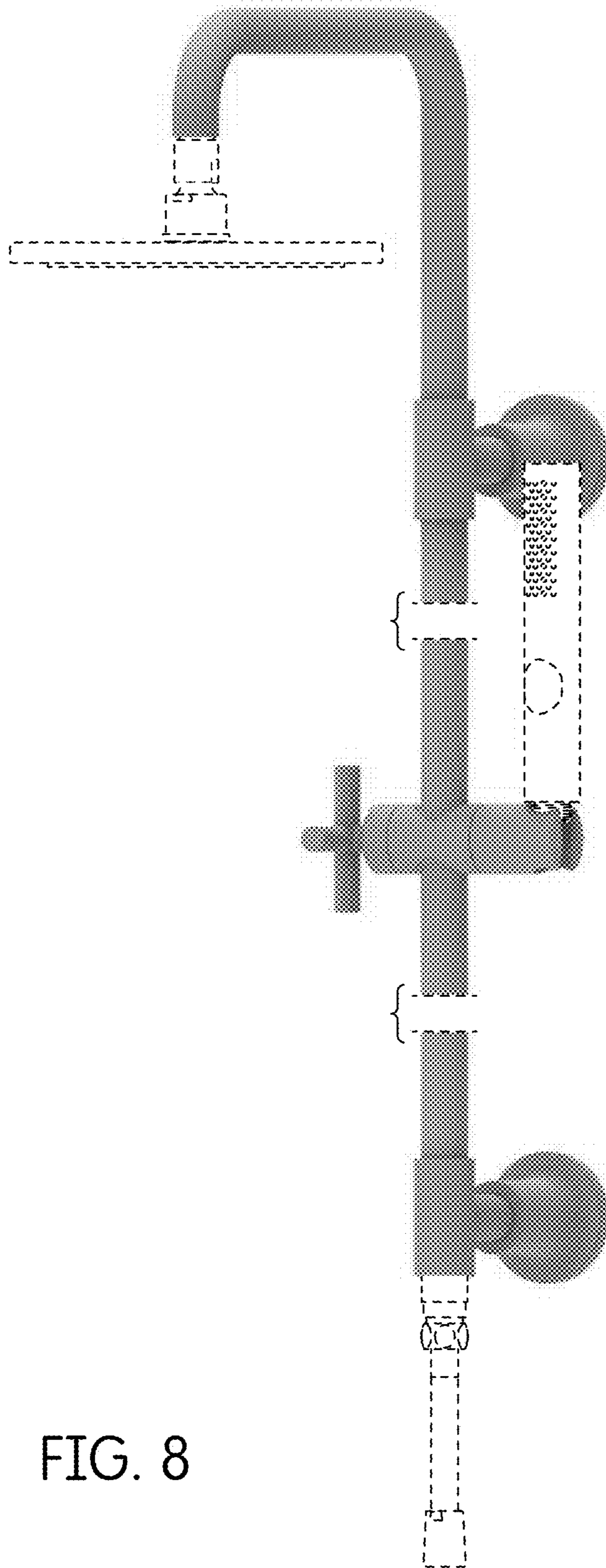


FIG. 8

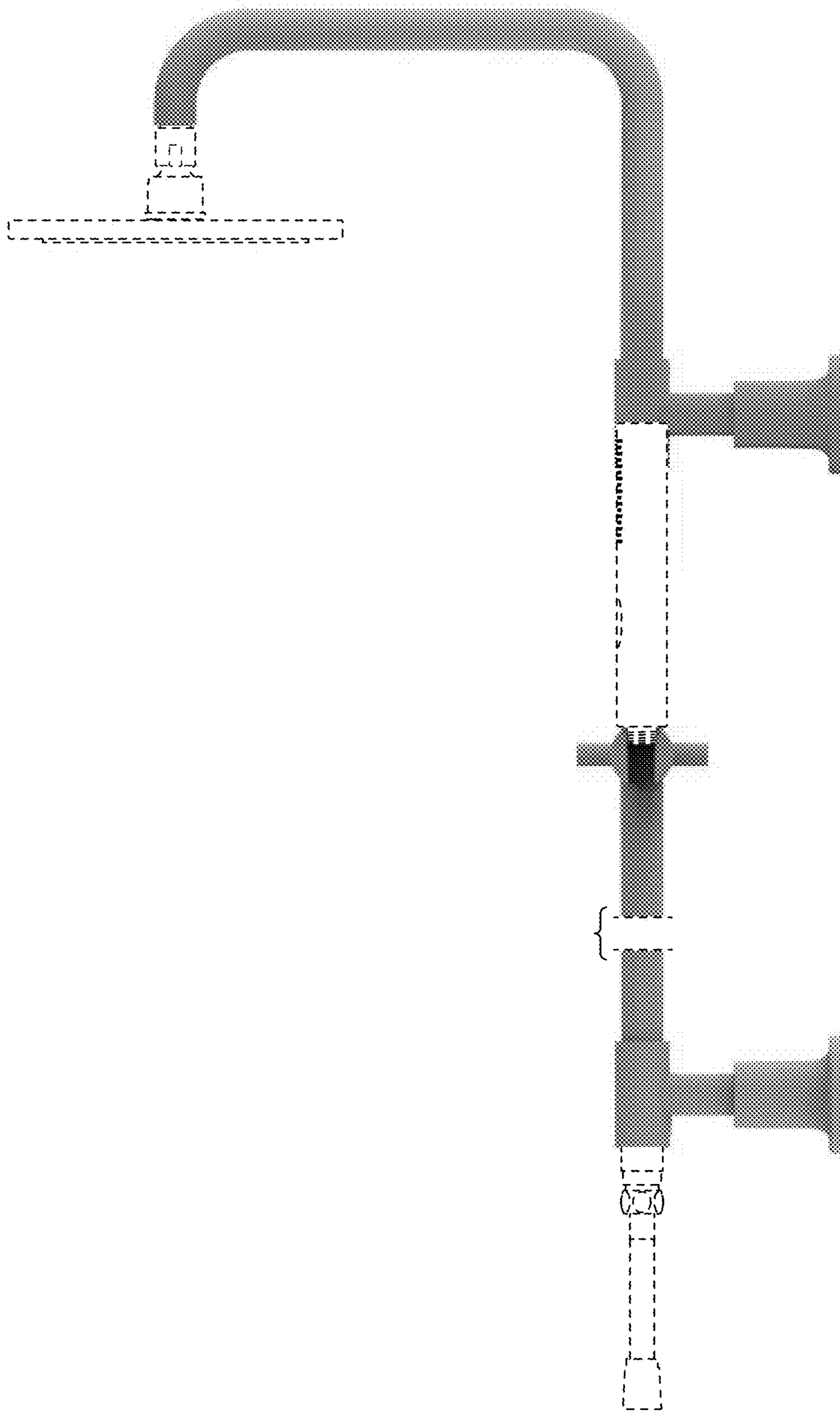


FIG. 9

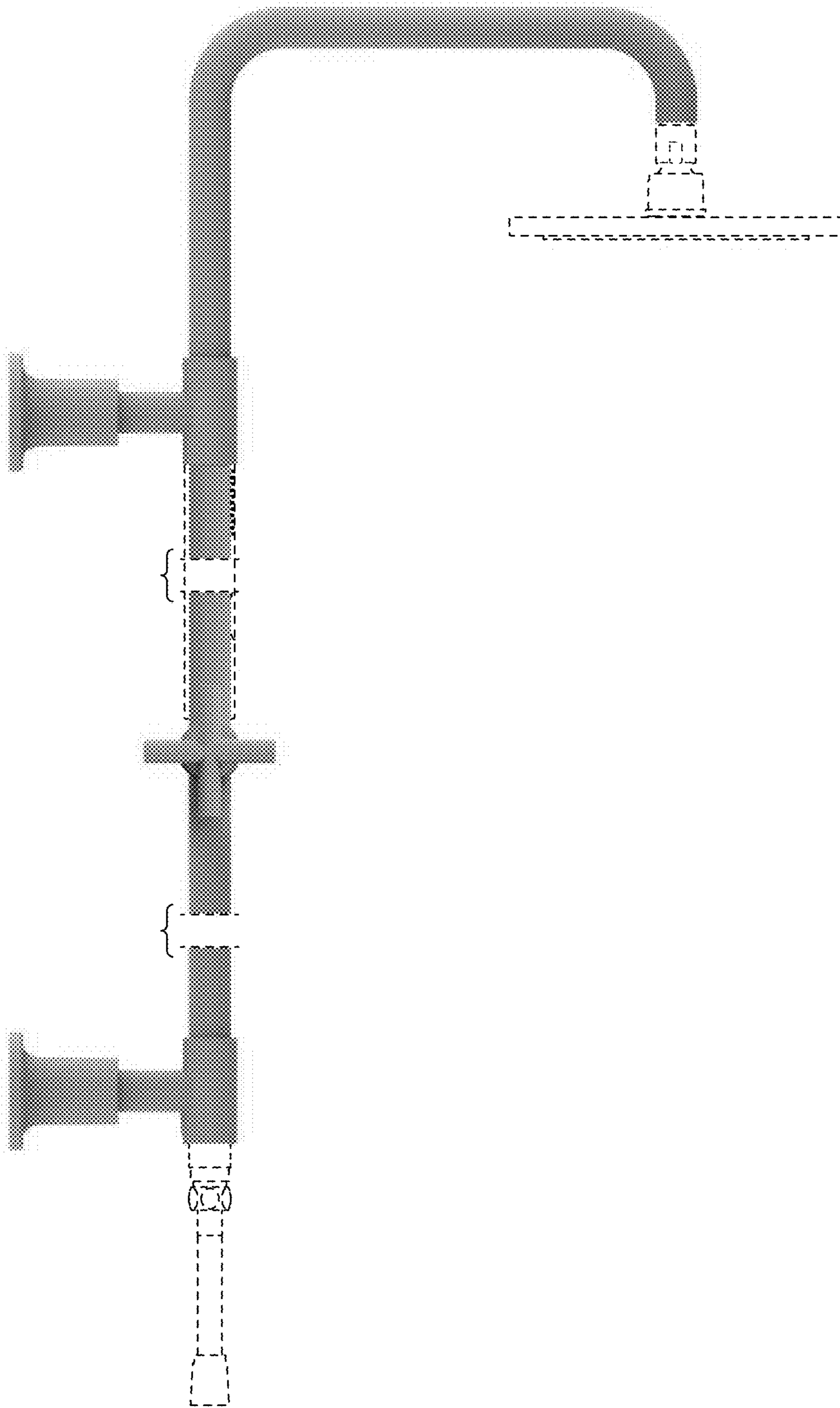


FIG. 10

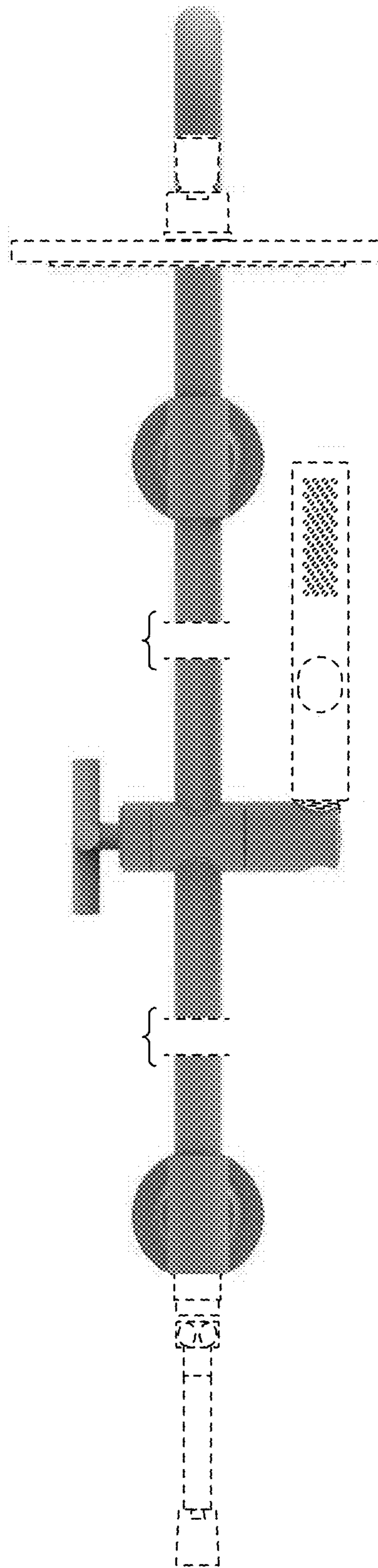


FIG. 11

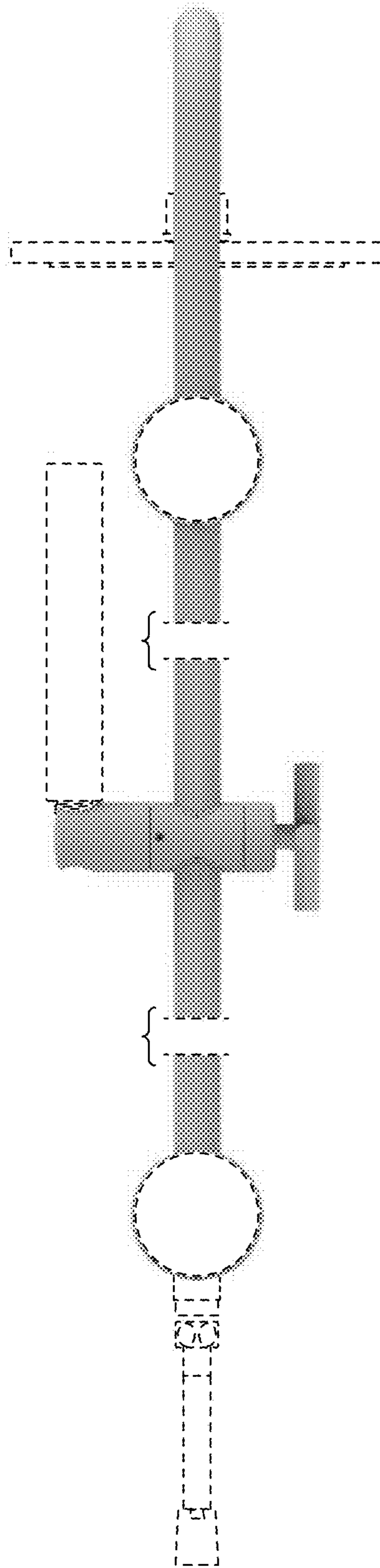


FIG. 12

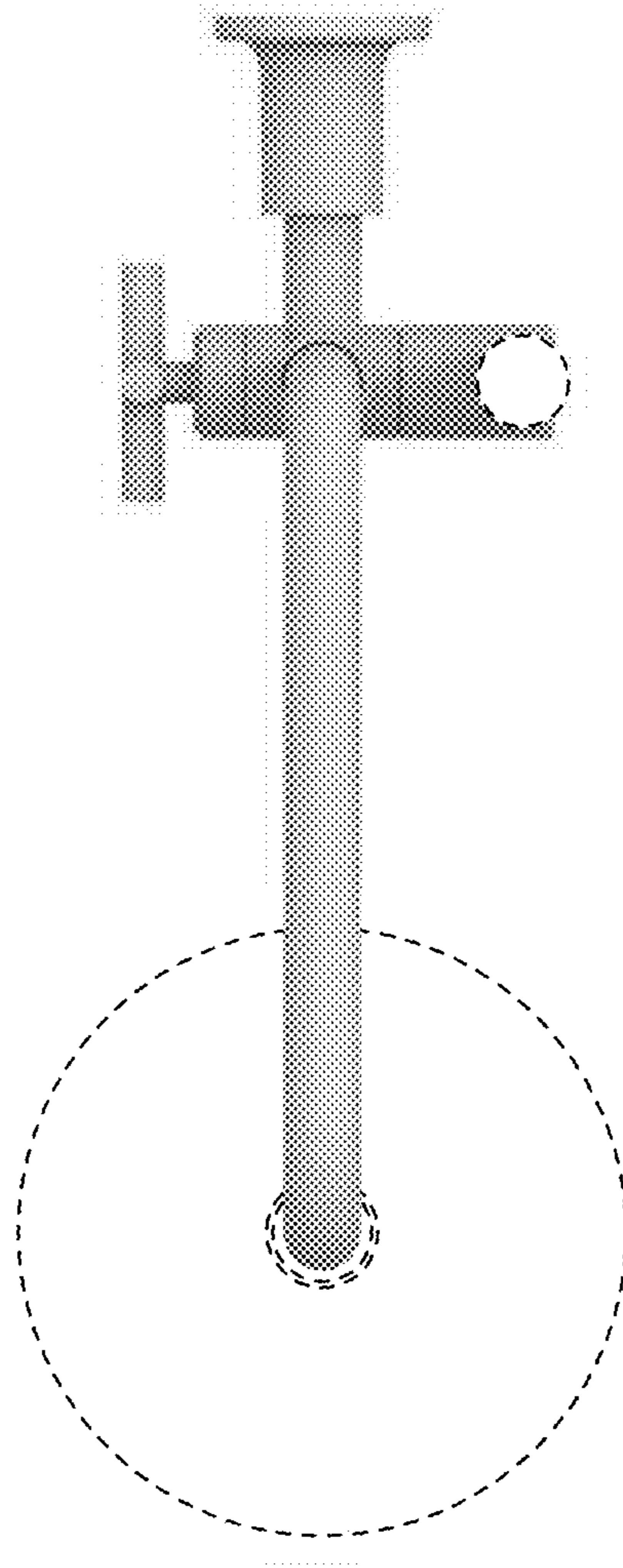


FIG. 13

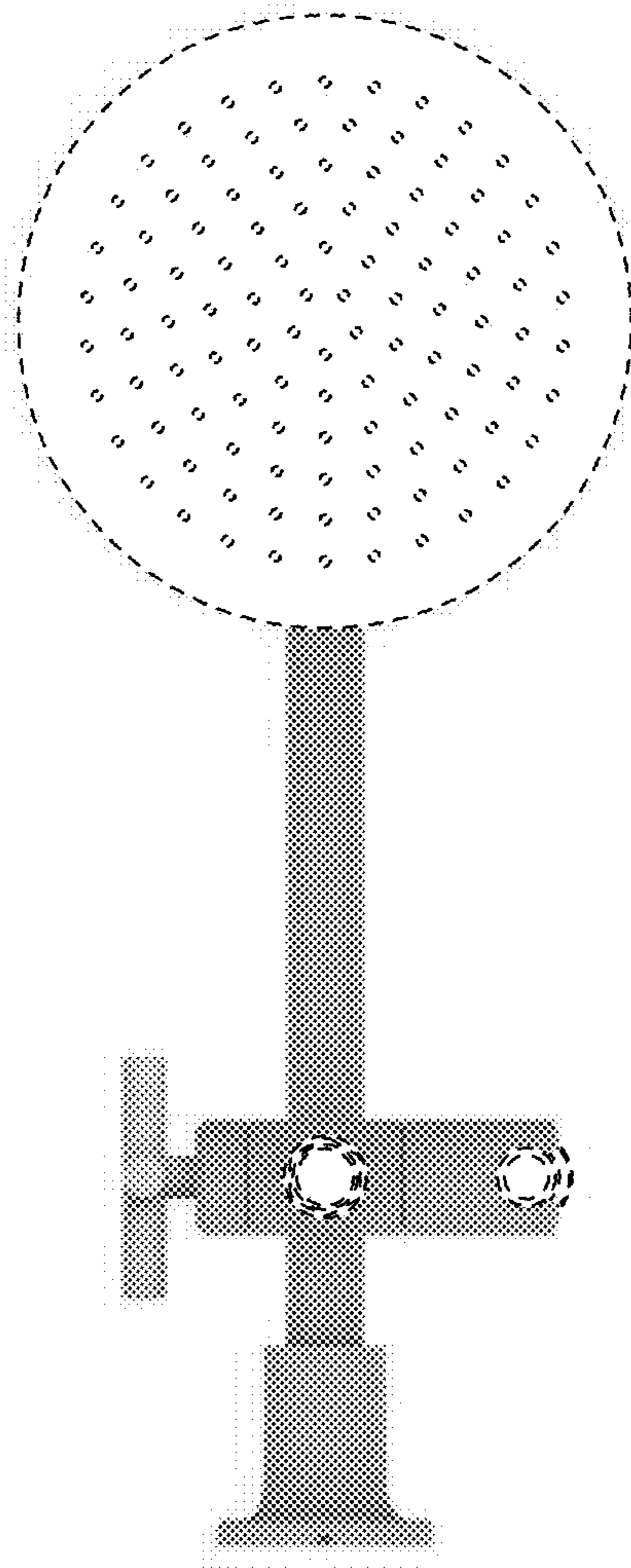


FIG. 14