



US00D890883S

(12) **United States Design Patent** (10) **Patent No.:** **US D890,883 S**
Caleffi (45) **Date of Patent:** **** Jul. 21, 2020**

(54) **FLUID DISTRIBUTION EQUIPMENT**

(56) **References Cited**

(71) Applicant: **CALEFFI S.P.A.**, Fontaneto d'Agogna (IT)
(72) Inventor: **Marco Caleffi**, Fontaneto d'Agogna (IT)
(73) Assignee: **Caleffi S.p.A.** (IT)
(**) Term: **15 Years**
(21) Appl. No.: **29/693,218**
(22) Filed: **May 31, 2019**

U.S. PATENT DOCUMENTS

D677,754 S *	3/2013	Pierog	D23/233
D722,362 S *	2/2015	Kluss	D23/235
D732,641 S *	6/2015	Hermann	D23/233
D745,640 S *	12/2015	Russell	D23/245
D820,392 S *	6/2018	Caleffi	D23/233
D821,302 S *	6/2018	Fletcher	D13/101
D835,754 S *	12/2018	Caleffi	D23/233
2003/0020037 A1 *	1/2003	Pierog	G05D 16/2022 251/129.01
2012/0222749 A1 *	9/2012	Hurst	G05D 7/03 137/12

* cited by examiner

Primary Examiner — Gino Colan

(74) *Attorney, Agent, or Firm* — Laubscher & Laubscher, P.C.

Related U.S. Application Data

(62) Division of application No. 29/610,838, filed on Jul. 17, 2017.

Foreign Application Priority Data

Jan. 16, 2017	(EM)	003642123-0001
Jan. 16, 2017	(EM)	003642123-0002
Jan. 16, 2017	(EM)	003642123-0003
Jan. 16, 2017	(EM)	003642123-0004
Jan. 16, 2017	(EM)	003642123-0005
Jan. 16, 2017	(EM)	003642123-0006

(51) **LOC (12) Cl.** **23-01**
(52) **U.S. Cl.**
USPC **D23/233**

(58) **Field of Classification Search**
USPC D23/233-237, 241-249; 137/487.5,
137/625.64, 12, 505, 613, 614, 15.18;
251/129.01, 129.15
CPC F16K 31/0675; F16K 27/048
See application file for complete search history.

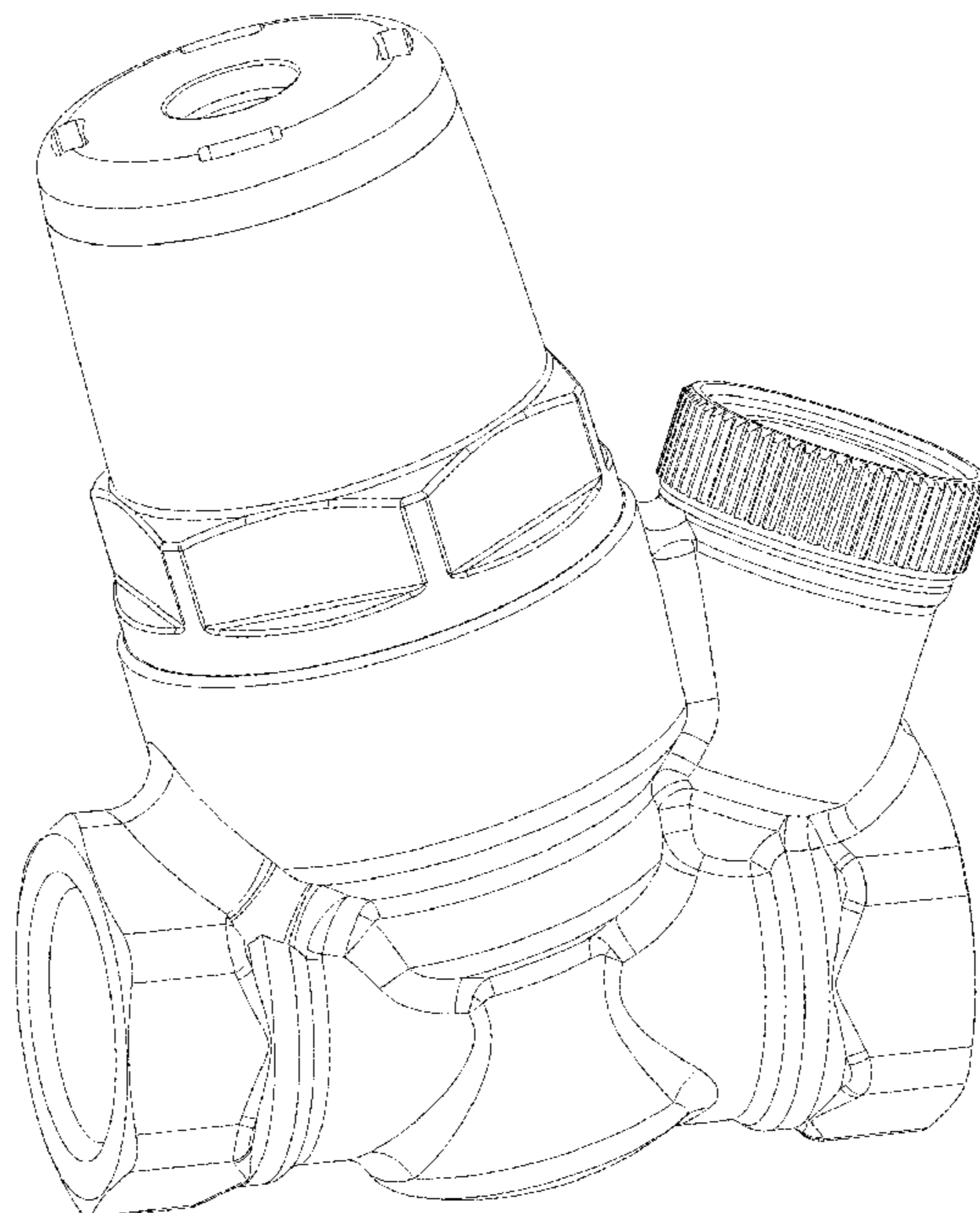
(57) **CLAIM**

The ornamental design for fluid distribution equipment, as shown.

DESCRIPTION

FIG. 1 is a front perspective view of a fluid distribution equipment showing my new design;
FIG. 2 is a front elevation view thereof;
FIG. 3 is a rear elevation view thereof;
FIG. 4 is a right side elevation view thereof;
FIG. 5 is a left side elevation view thereof;
FIG. 6 is a top view thereof; and,
FIG. 7 is a bottom view thereof.
The broken lines shown in the figures are for the purpose of illustration portions of the fluid distribution equipment and form no part of the claimed design.

1 Claim, 7 Drawing Sheets



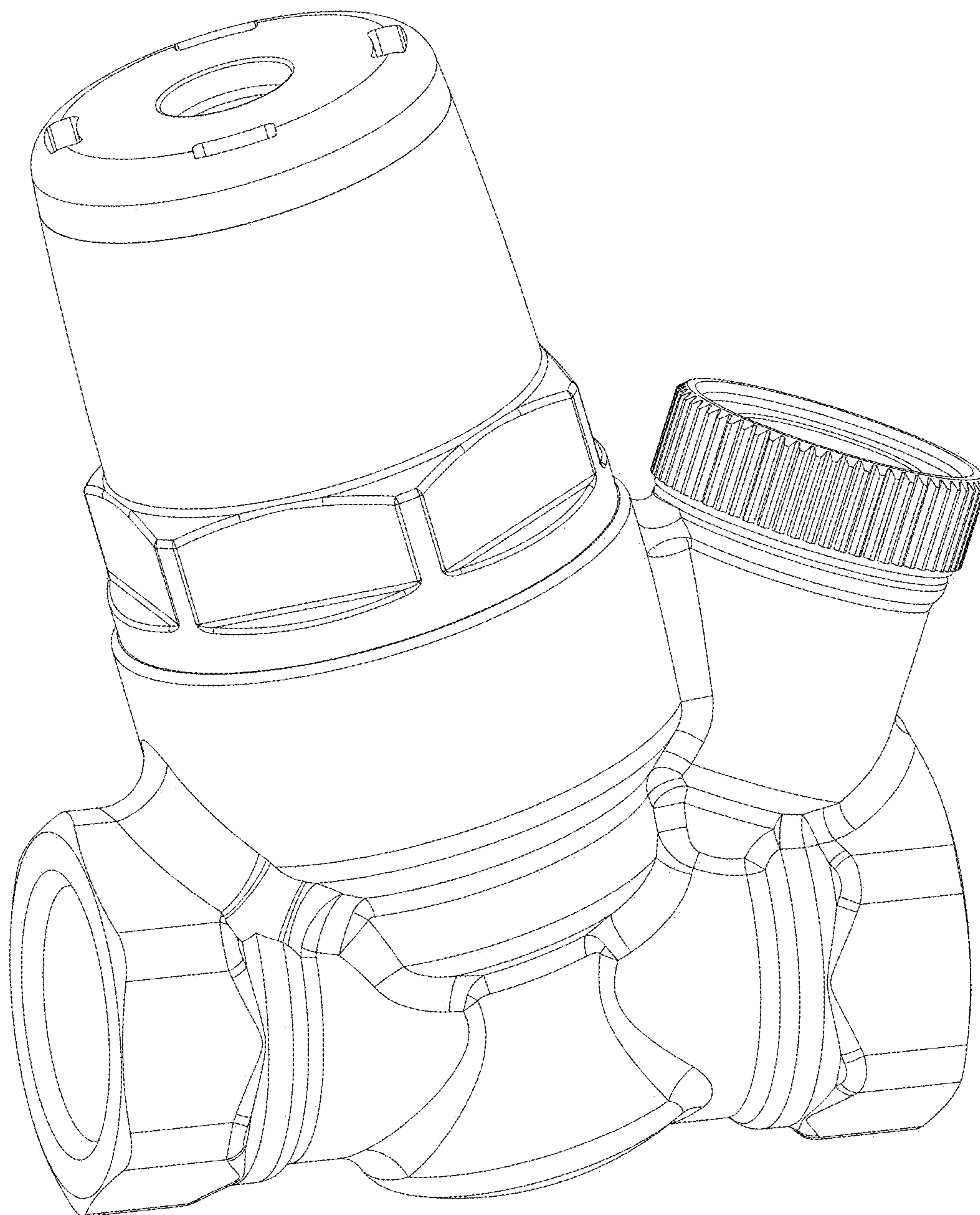


FIG. 1

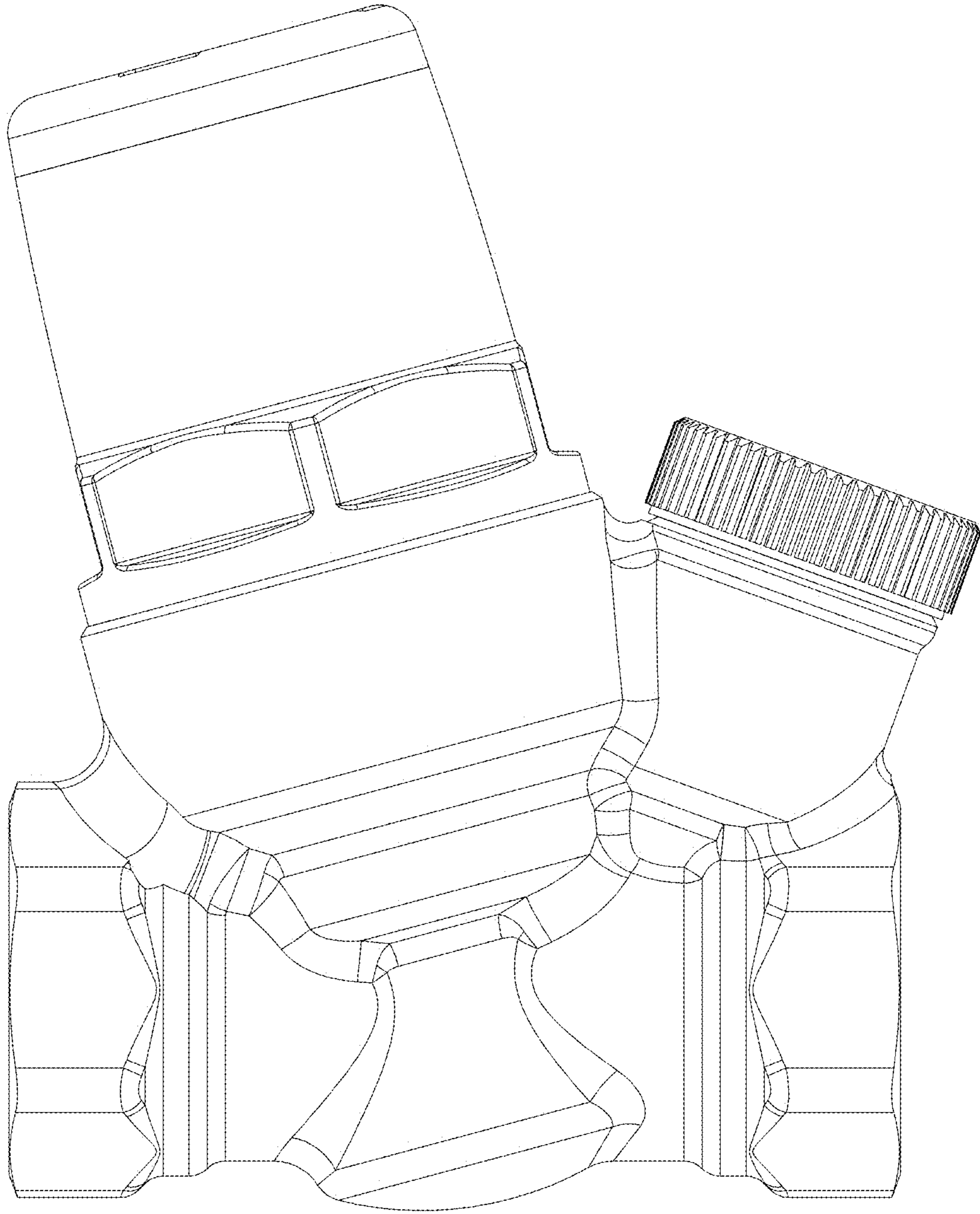


FIG. 2

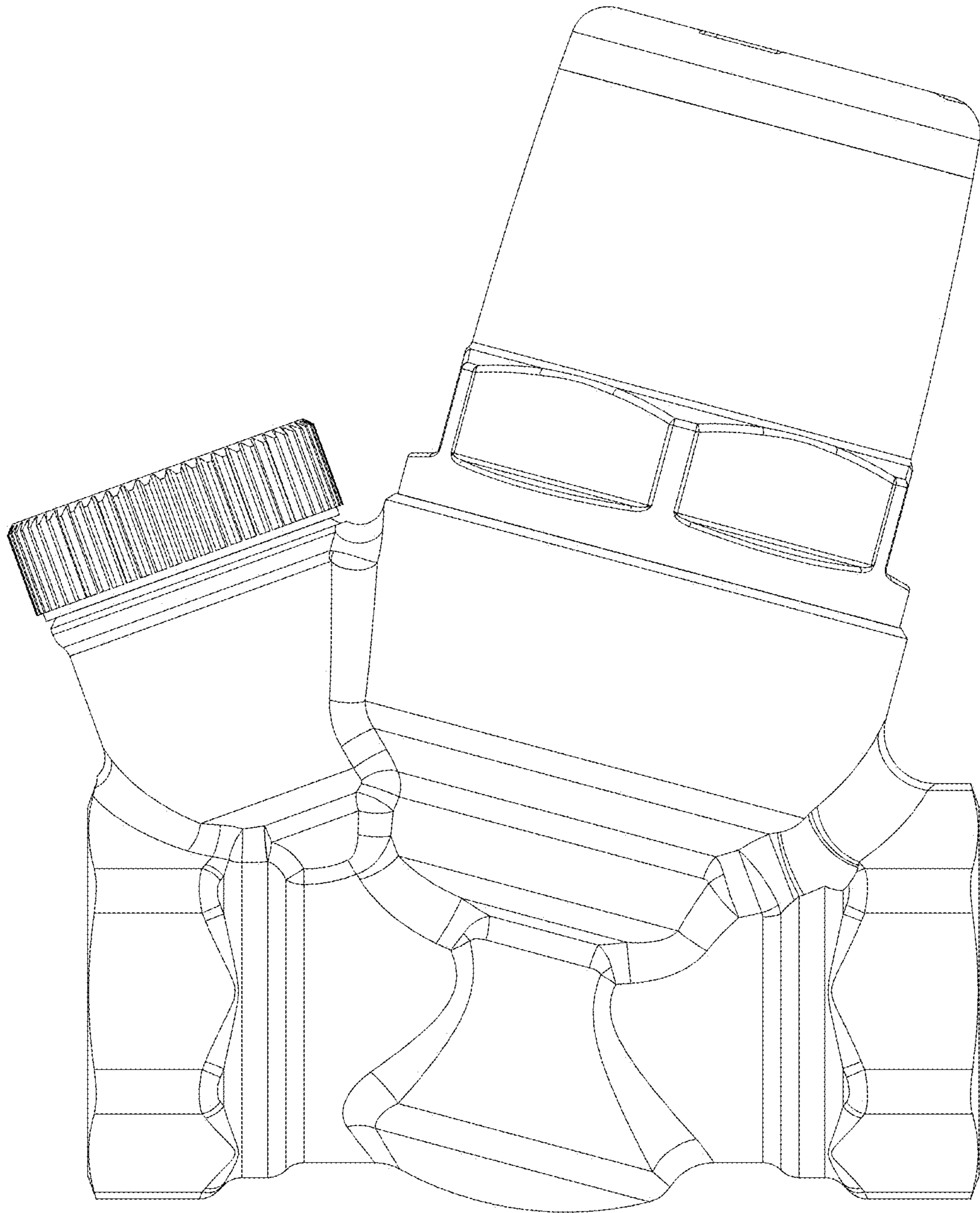


FIG. 3

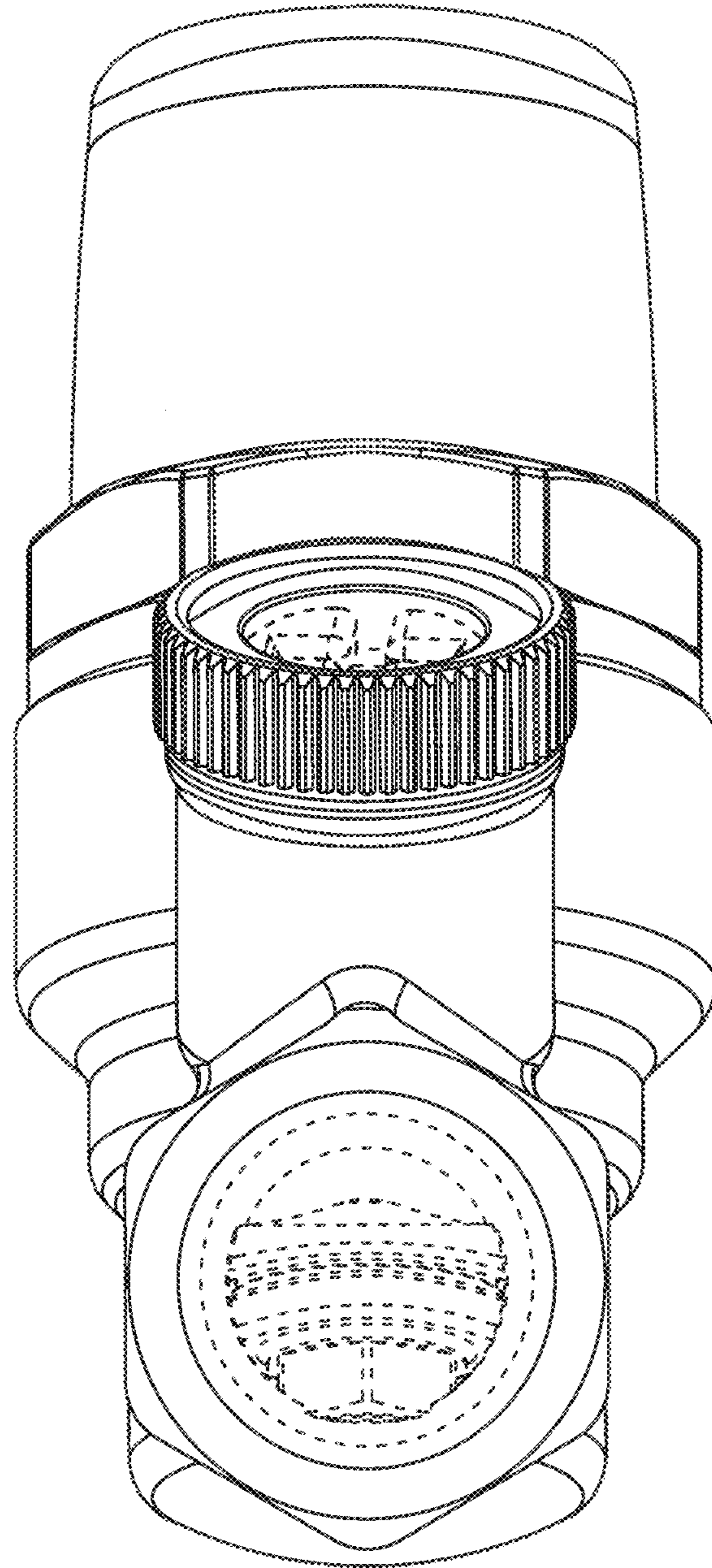


FIG. 4

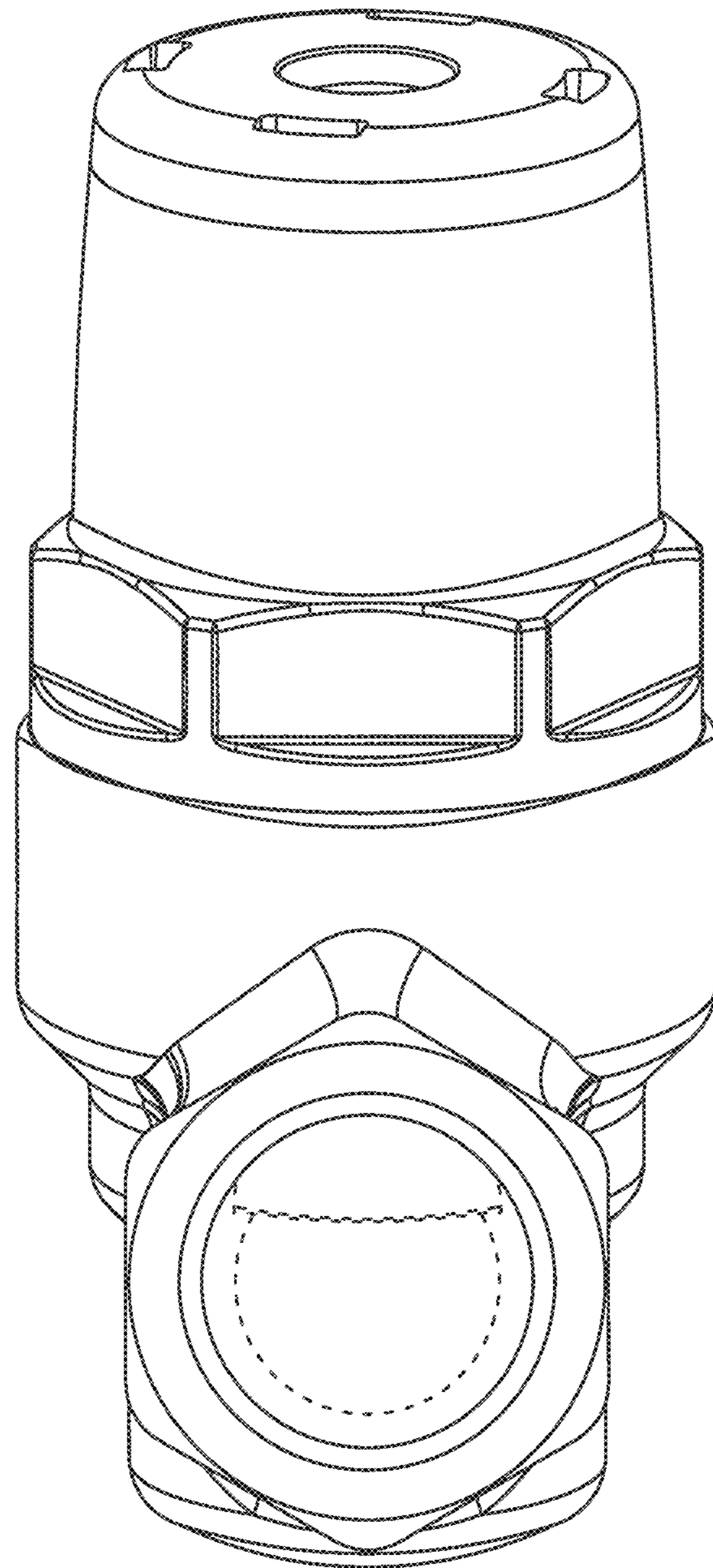


FIG. 5

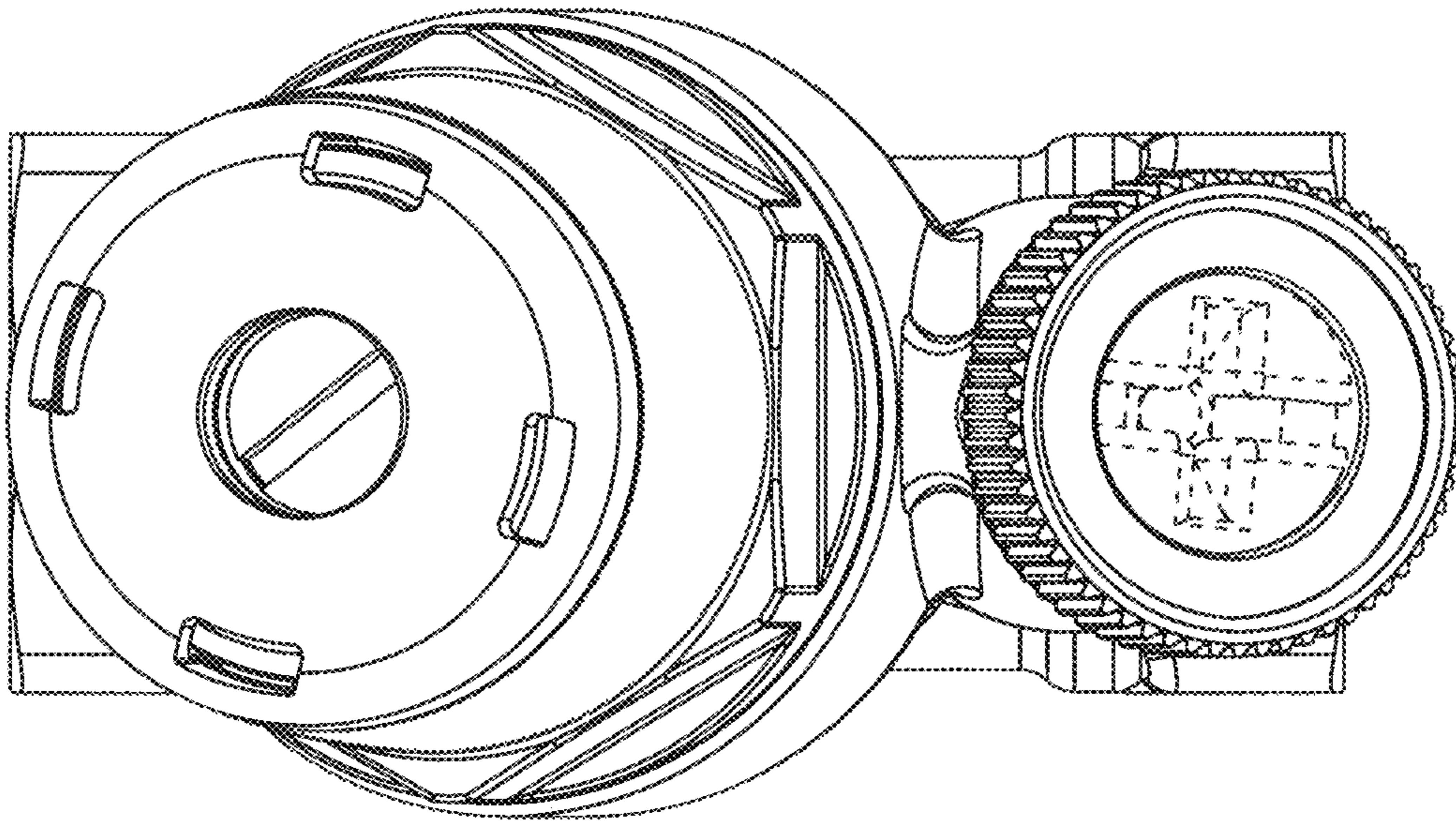


FIG. 6

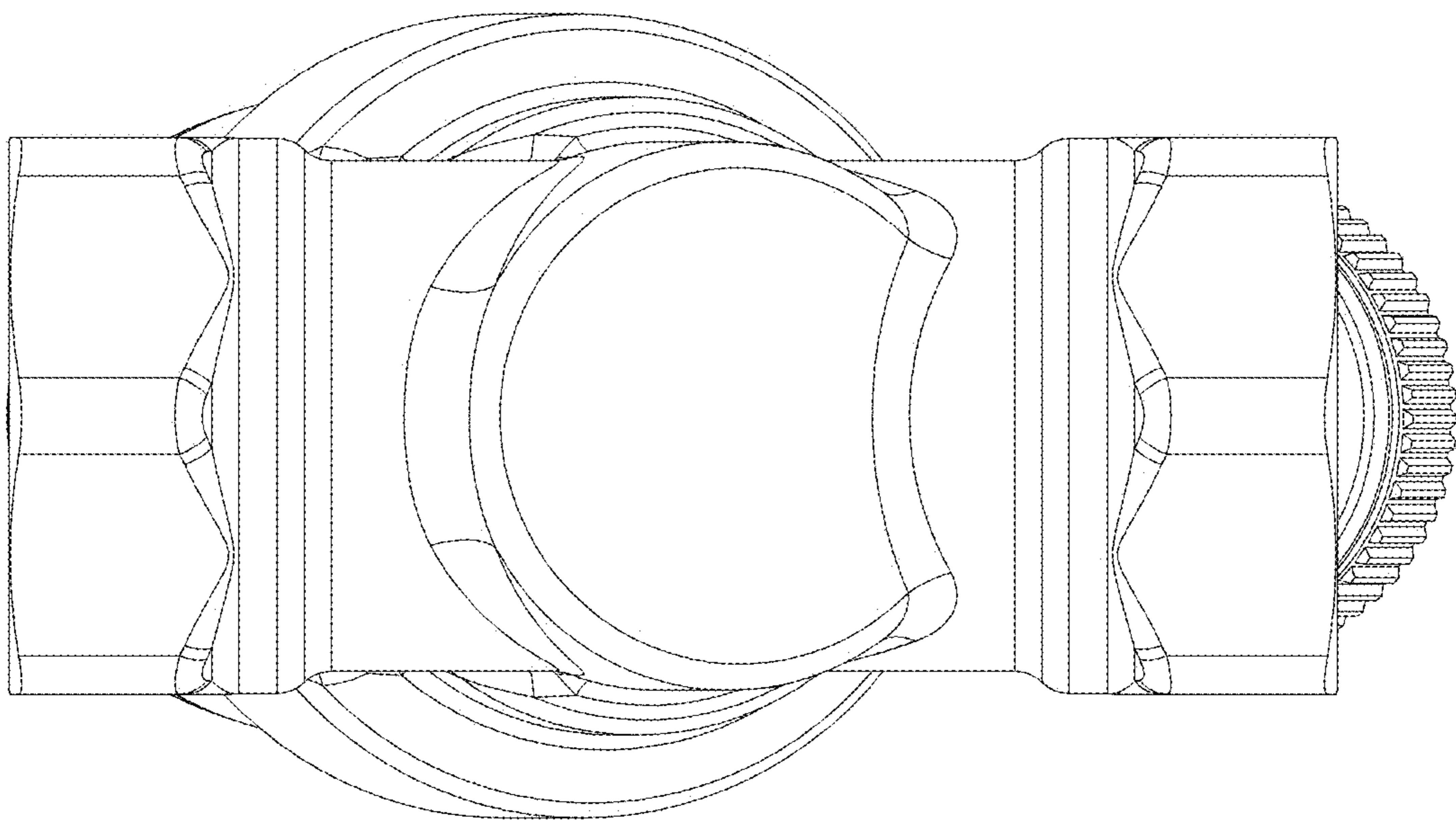


FIG. 7