



US00D890881S

(12) **United States Design Patent**  
**Aoki**

(10) **Patent No.:** **US D890,881 S**

(45) **Date of Patent:** **\*\* Jul. 21, 2020**

(54) **FISHING REEL**

(71) Applicant: **Shimano Inc.**, Sakai, Osaka (JP)

(72) Inventor: **Shingo Aoki**, Osaka (JP)

(73) Assignee: **Shimano Inc.**, Osaka (JP)

(\*\*) Term: **15 Years**

(21) Appl. No.: **29/694,698**

(22) Filed: **Jun. 12, 2019**

(30) **Foreign Application Priority Data**

Feb. 12, 2019 (JP) ..... 2019-002790

(51) **LOC (12) Cl.** ..... **22-05**

(52) **U.S. Cl.**  
USPC ..... **D22/140**

(58) **Field of Classification Search**  
USPC ..... D22/137-142; 43/19-22; 242/223-224,  
242/234-240, 310-312, 314-315, 318,  
242/322, 370

CPC ..... A01K 89/00; A01K 89/01; A01K 89/02;  
A01K 89/09; A01K 89/004; A01K  
89/006; A01K 89/015; A01K 89/0192

See application file for complete search history.

(56) **References Cited**

**U.S. PATENT DOCUMENTS**

5,183,221 A \* 2/1993 Kawai ..... A01K 89/0192  
242/310

D578,178 S \* 10/2008 Sekimoto ..... D22/140

D595,806 S 7/2009 Nago  
D709,985 S 7/2014 Deguchi  
D718,409 S 11/2014 Asaba  
D724,173 S \* 3/2015 Asaba ..... D22/140  
D731,613 S \* 6/2015 Kano ..... D22/140  
D767,083 S 9/2016 Niitsuma  
D846,061 S \* 4/2019 Niitsuma ..... D22/140  
2014/0332616 A1\* 11/2014 Niitsuma ..... A01K 89/0155  
242/289  
2014/0374524 A1\* 12/2014 Takechi ..... A01K 89/033  
242/289

\* cited by examiner

*Primary Examiner* — Catherine R Oliver-Garcia

(74) *Attorney, Agent, or Firm* — Global IP Counselors,  
LLP

(57) **CLAIM**

An ornamental design for a fishing reel, as shown and described.

**DESCRIPTION**

FIG. 1 is a top, front and side perspective view of the fishing reel in accordance with my new design;

FIG. 2 is a bottom, rear and opposite side perspective view thereof;

FIG. 3 is a side elevation view thereof;

FIG. 4 is an opposite side elevation view thereof;

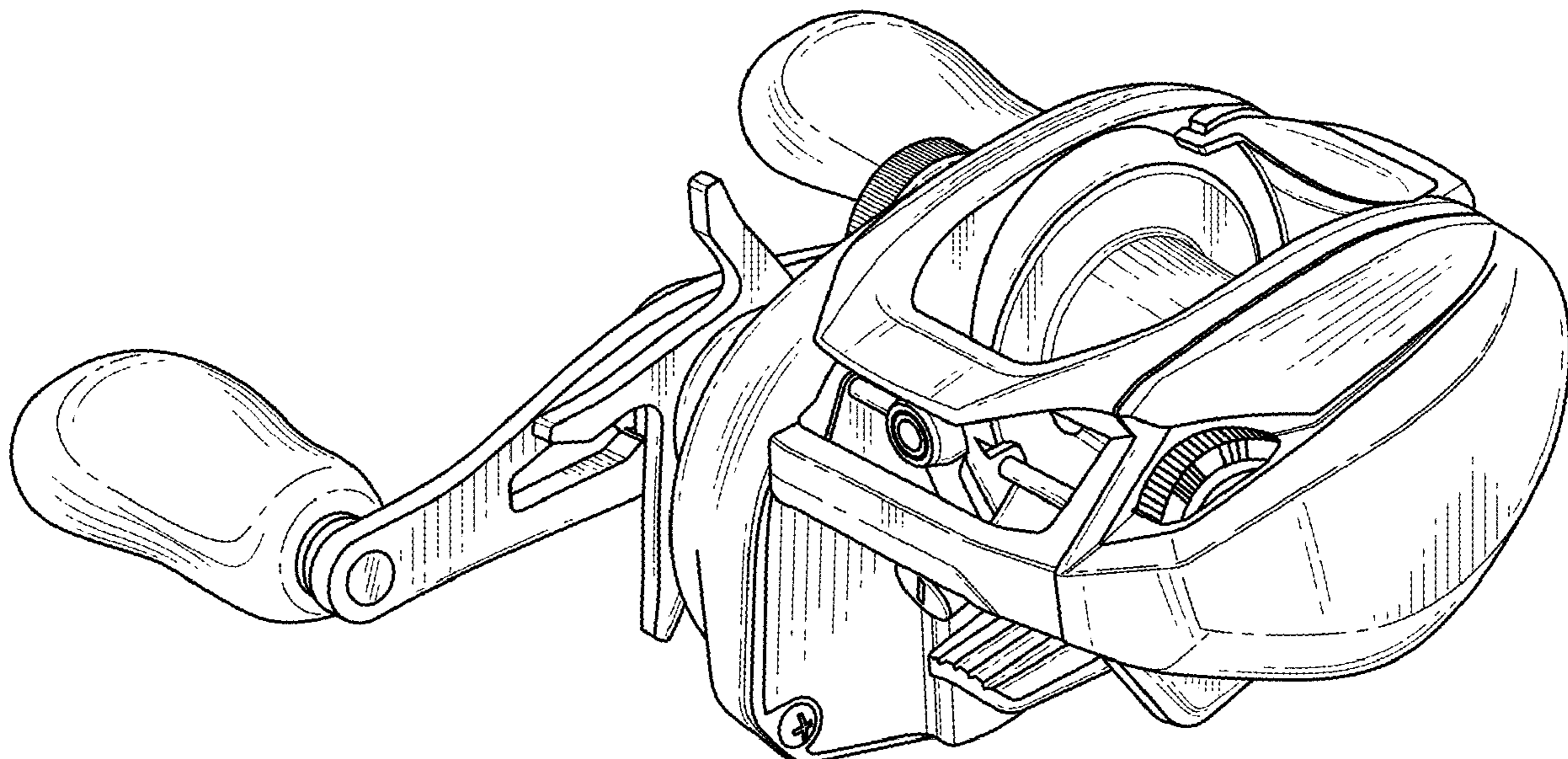
FIG. 5 is a top plan view thereof;

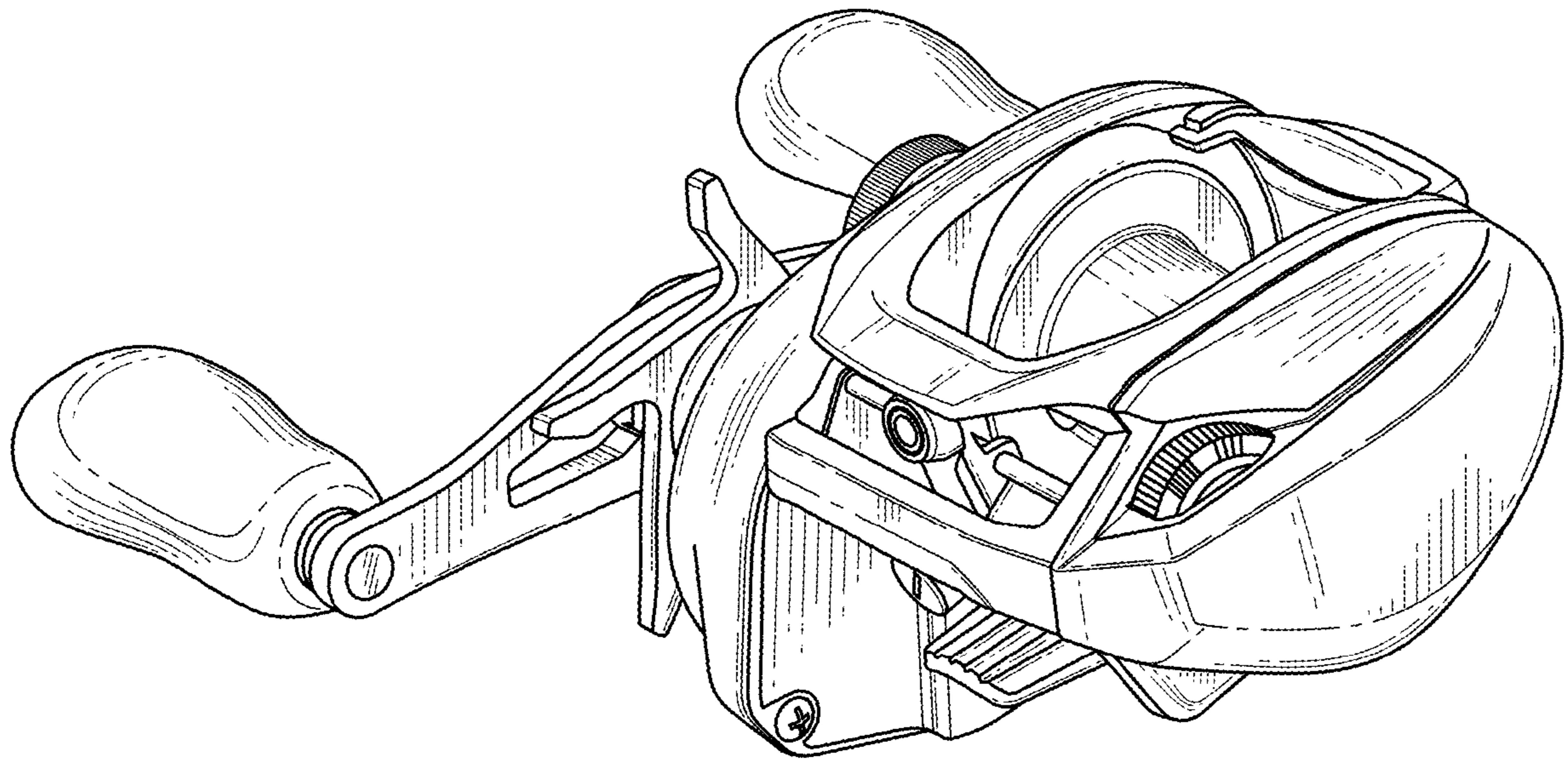
FIG. 6 is a bottom plan view thereof;

FIG. 7 is a rear elevation view thereof; and,

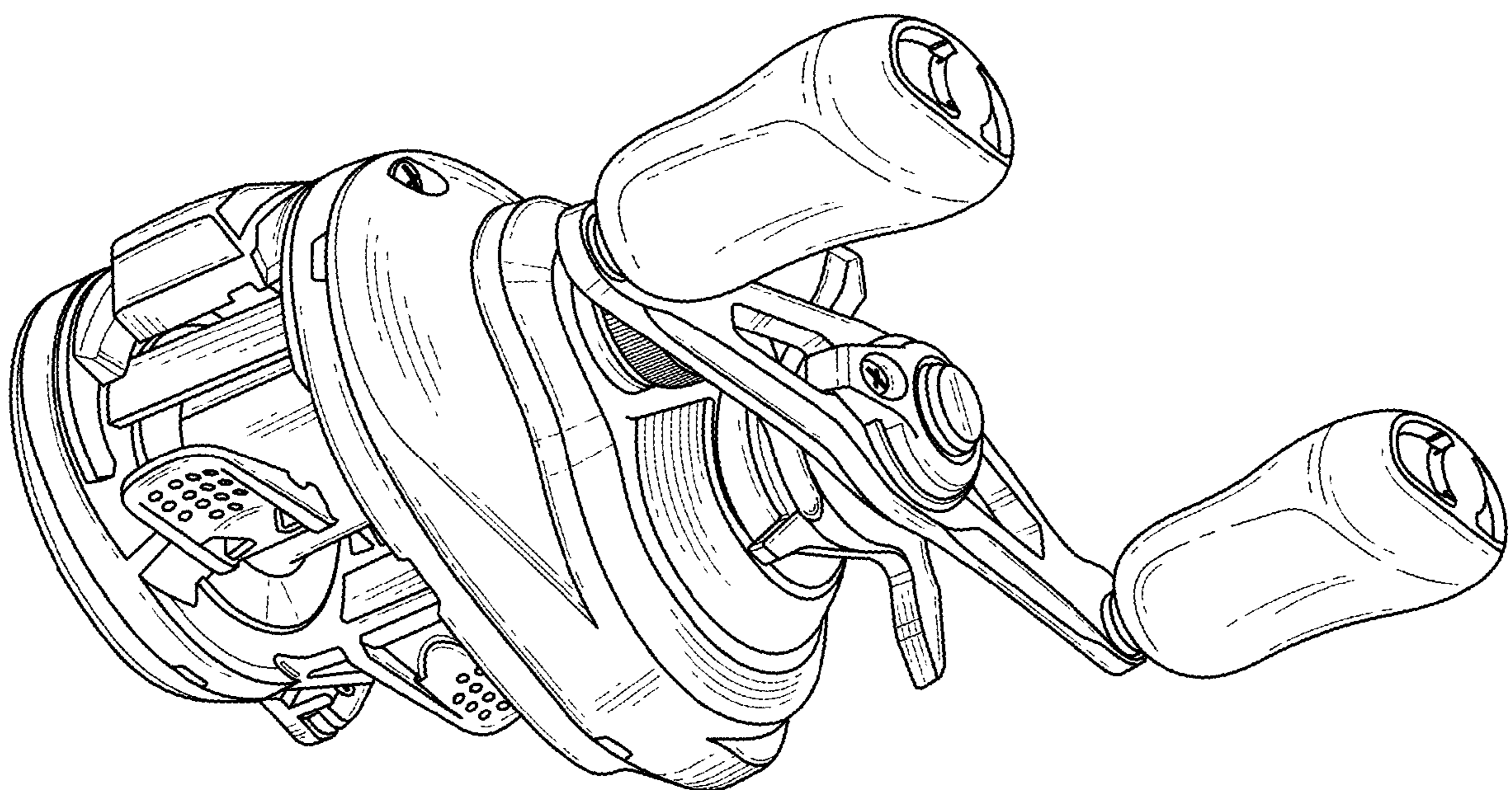
FIG. 8 is a front elevation view thereof.

**1 Claim, 5 Drawing Sheets**

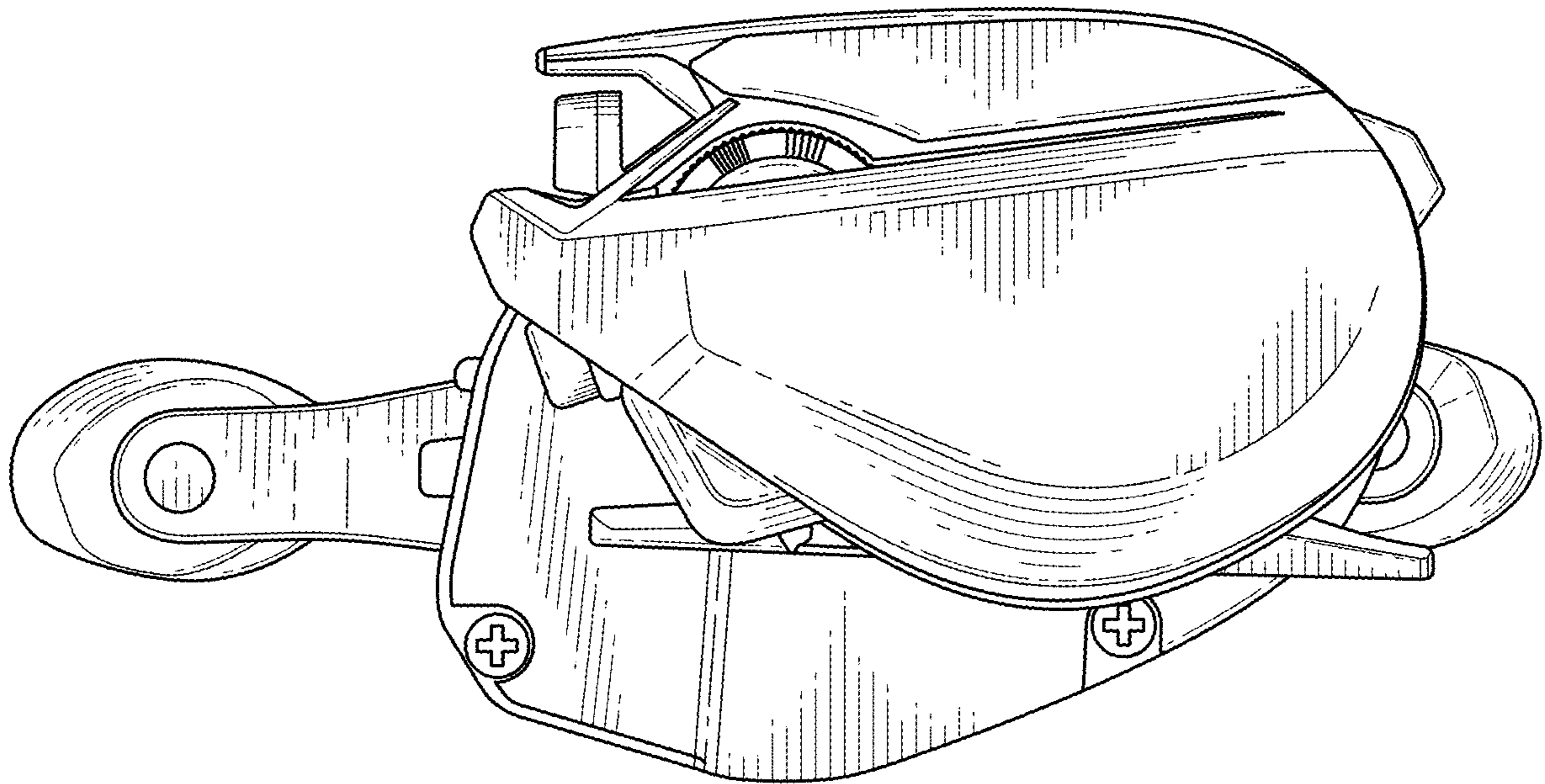




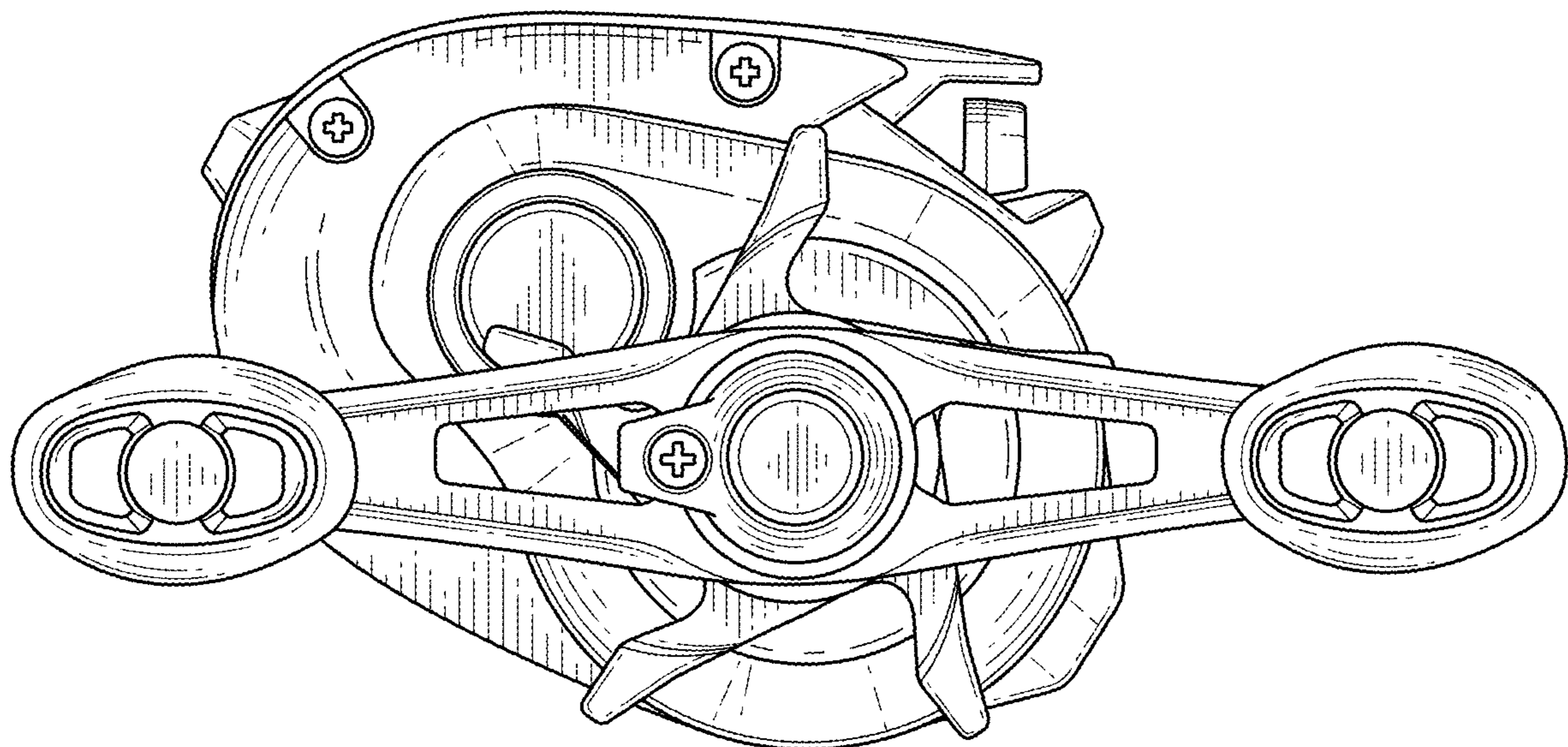
**FIG. 1**



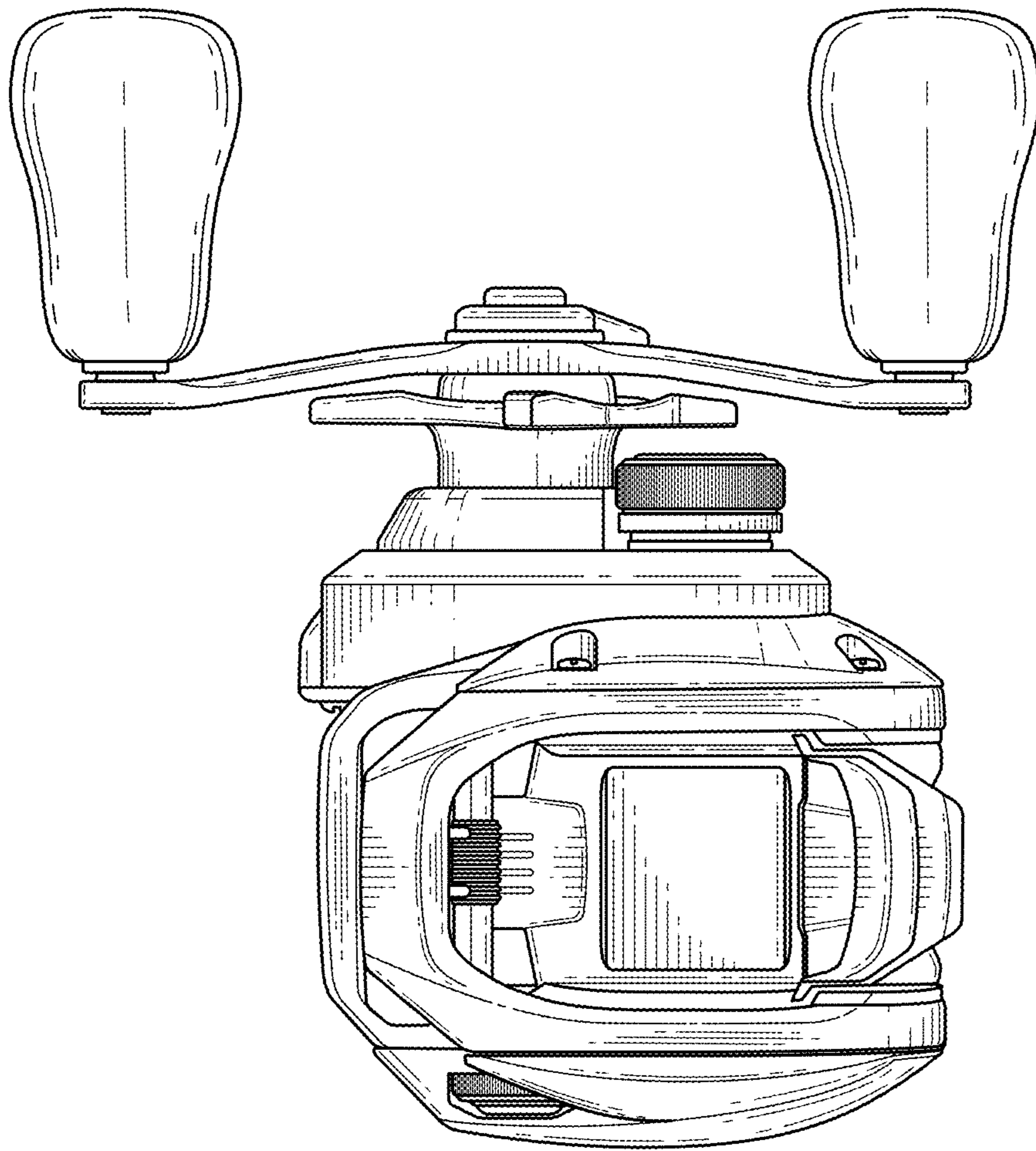
**FIG. 2**



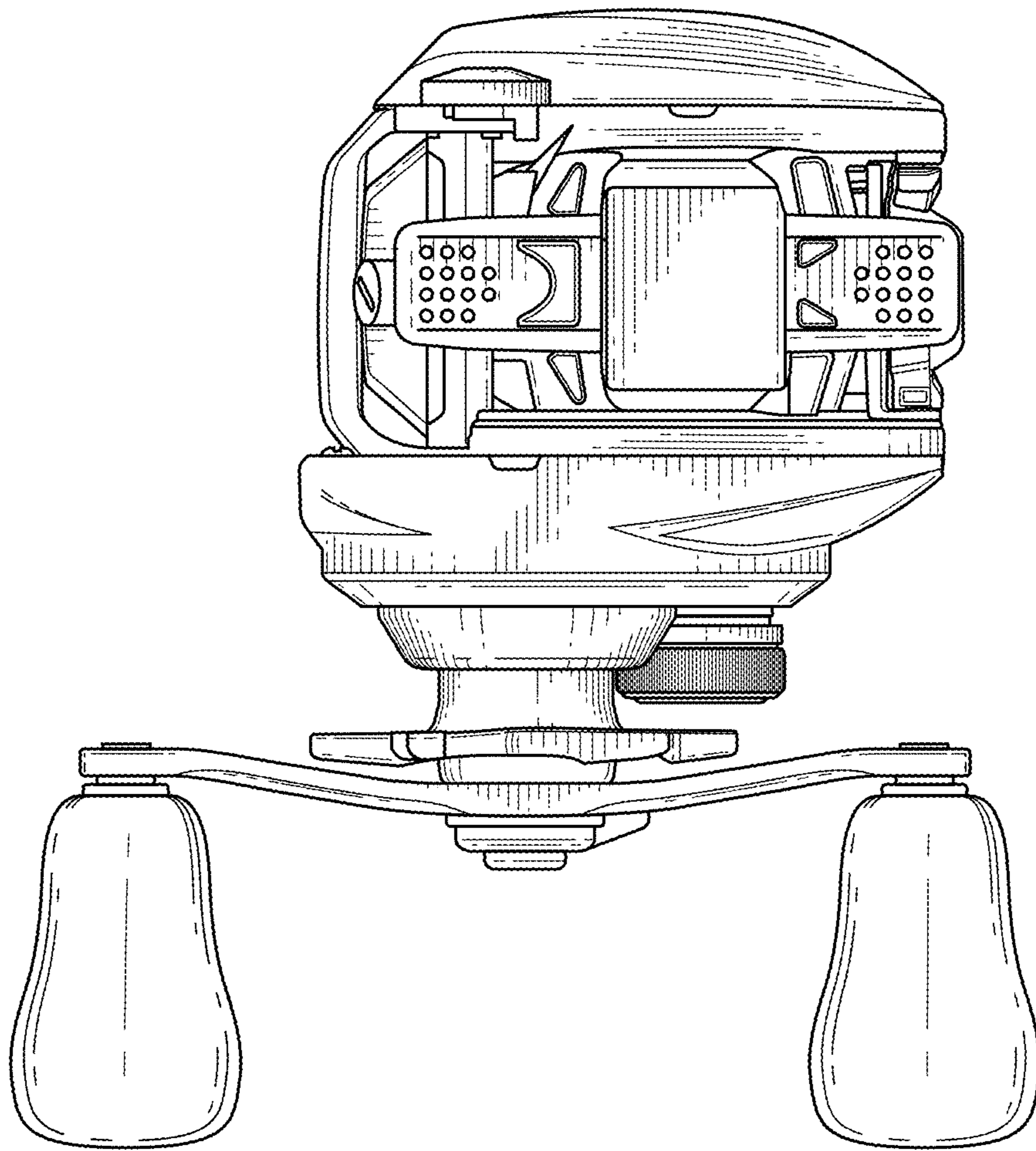
**FIG. 3**



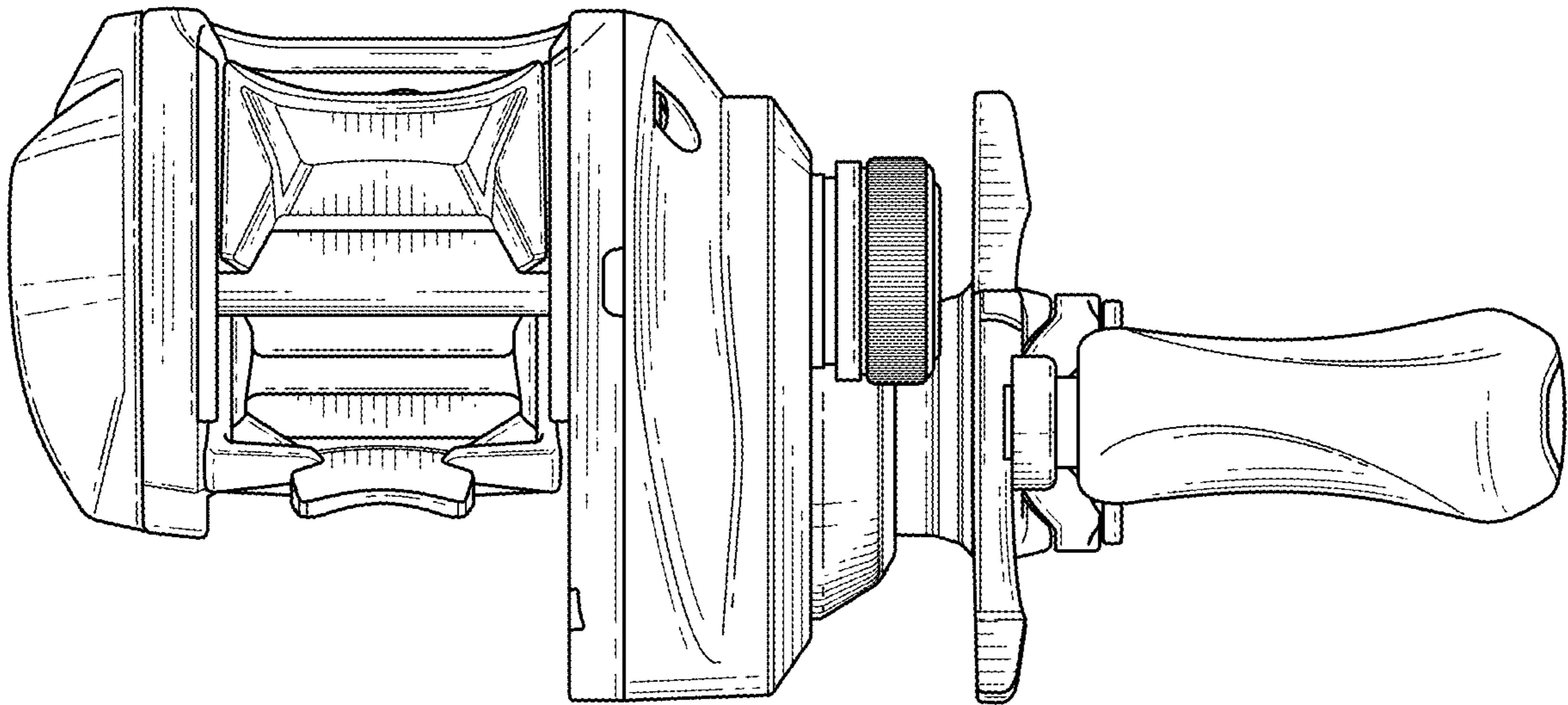
**FIG. 4**



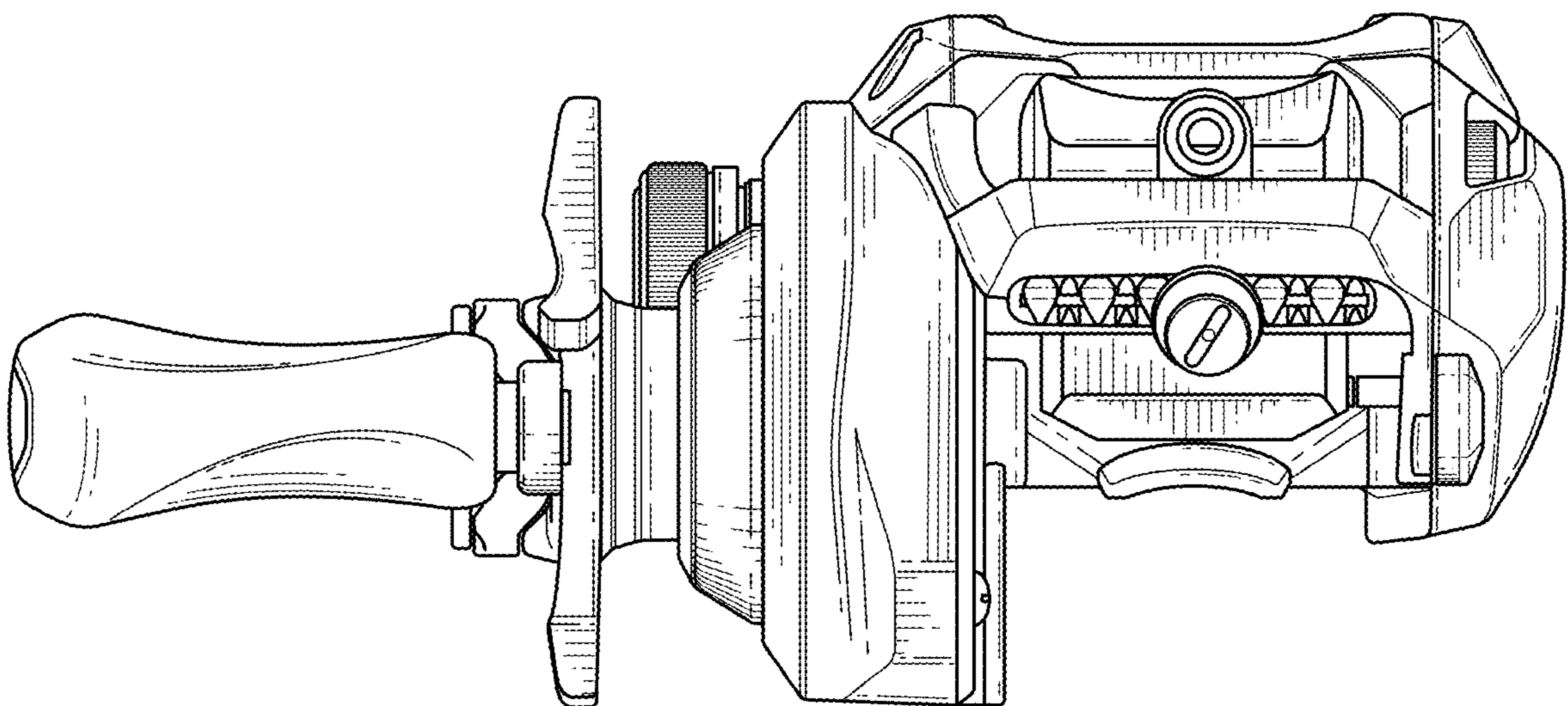
**FIG. 5**



**FIG. 6**



**FIG. 7**



**FIG. 8**