

US00D890880S

(12) **United States Design Patent**
Niitsuma

(10) **Patent No.:** **US D890,880 S**

(45) **Date of Patent:** **** Jul. 21, 2020**

(54) **FISHING REEL**

(71) Applicant: **Shimano Inc.**, Sakai, Osaka (JP)

(72) Inventor: **Motohiro Niitsuma**, Osaka (JP)

(73) Assignee: **Shimano Inc.**, Osaka (JP)

(**) Term: **15 Years**

(21) Appl. No.: **29/694,130**

(22) Filed: **Jun. 7, 2019**

(30) **Foreign Application Priority Data**

Dec. 20, 2018 (JP) 2018-027990

(51) **LOC (12) Cl.** **22-05**

(52) **U.S. Cl.**
USPC **D22/140**

(58) **Field of Classification Search**
USPC D22/137-142; 43/19-22; 242/223-224,
242/234-240, 310-312, 314-315, 318,
242/322, 370

CPC A01K 89/00; A01K 89/01; A01K 89/02;
A01K 89/09; A01K 89/004; A01K
89/006; A01K 89/015; A01K 89/0192

See application file for complete search history.

(56) **References Cited**

U.S. PATENT DOCUMENTS

D674,868 S 1/2013 Deguchi et al.
D674,869 S * 1/2013 Deguchi D22/140

D709,985 S 7/2014 Deguchi
D724,173 S * 3/2015 Asaba D22/140
D767,083 S 9/2016 Niitsuma
D869,602 S * 12/2019 Hyun D22/140
D873,951 S * 1/2020 Cui D22/140
2019/0014763 A1* 1/2019 Hyun A01K 89/0192

* cited by examiner

Primary Examiner — Catherine R Oliver-Garcia
(74) *Attorney, Agent, or Firm* — Global IP Counselors,
LLP

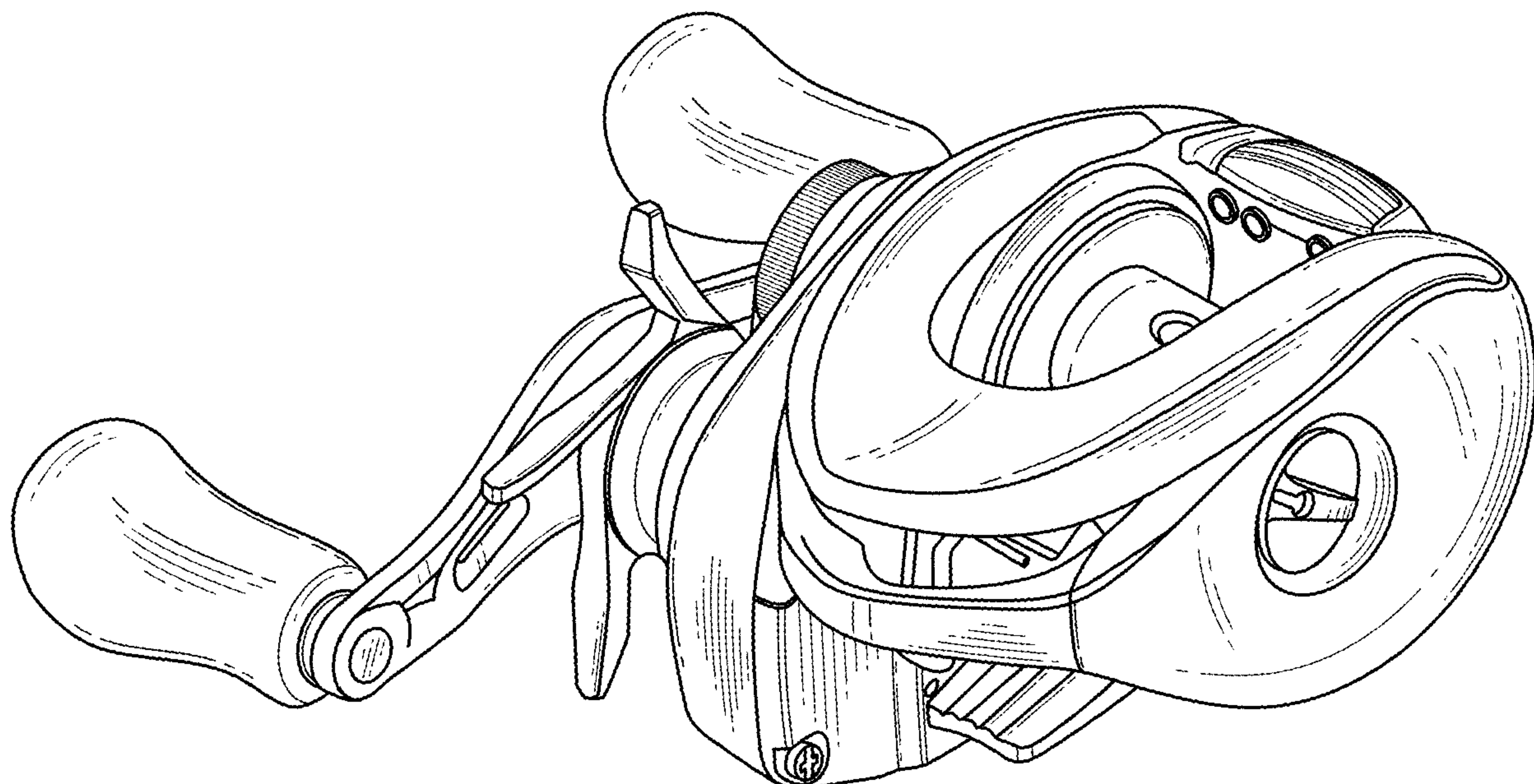
(57) **CLAIM**

An ornamental design for a fishing reel, as shown and described.

DESCRIPTION

FIG. 1 is a top, front and side perspective view of a fishing reel in accordance with the new design;
FIG. 2 is a top, front and opposite side perspective view thereof;
FIG. 3 is a bottom, rear and opposite side perspective view thereof;
FIG. 4 is a front elevation view thereof;
FIG. 5 is a rear elevation view thereof;
FIG. 6 is a top plan view thereof;
FIG. 7 is a bottom plan view thereof;
FIG. 8 is a side elevation view thereof; and,
FIG. 9 is an opposite elevation view thereof.

1 Claim, 5 Drawing Sheets



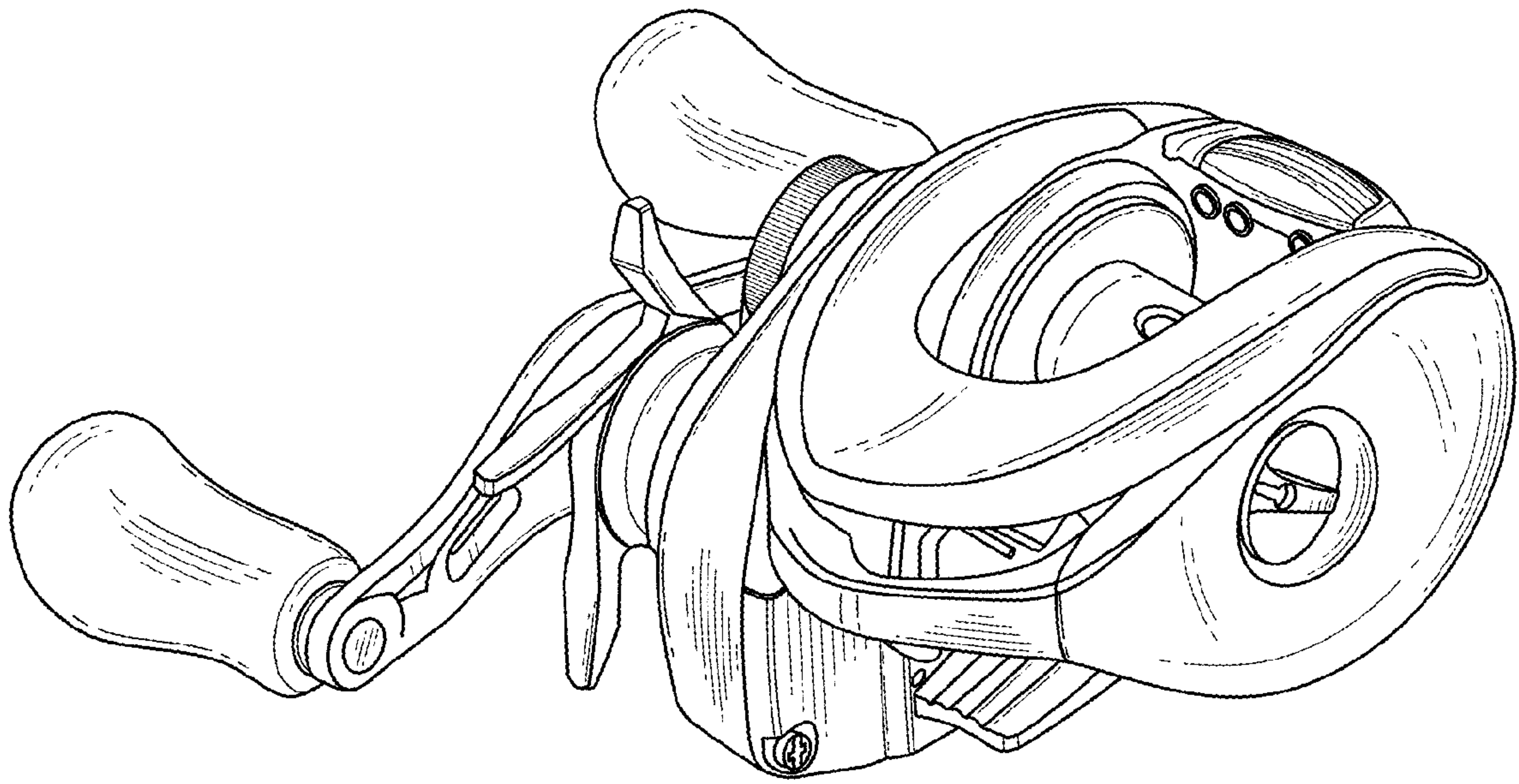


FIG. 1

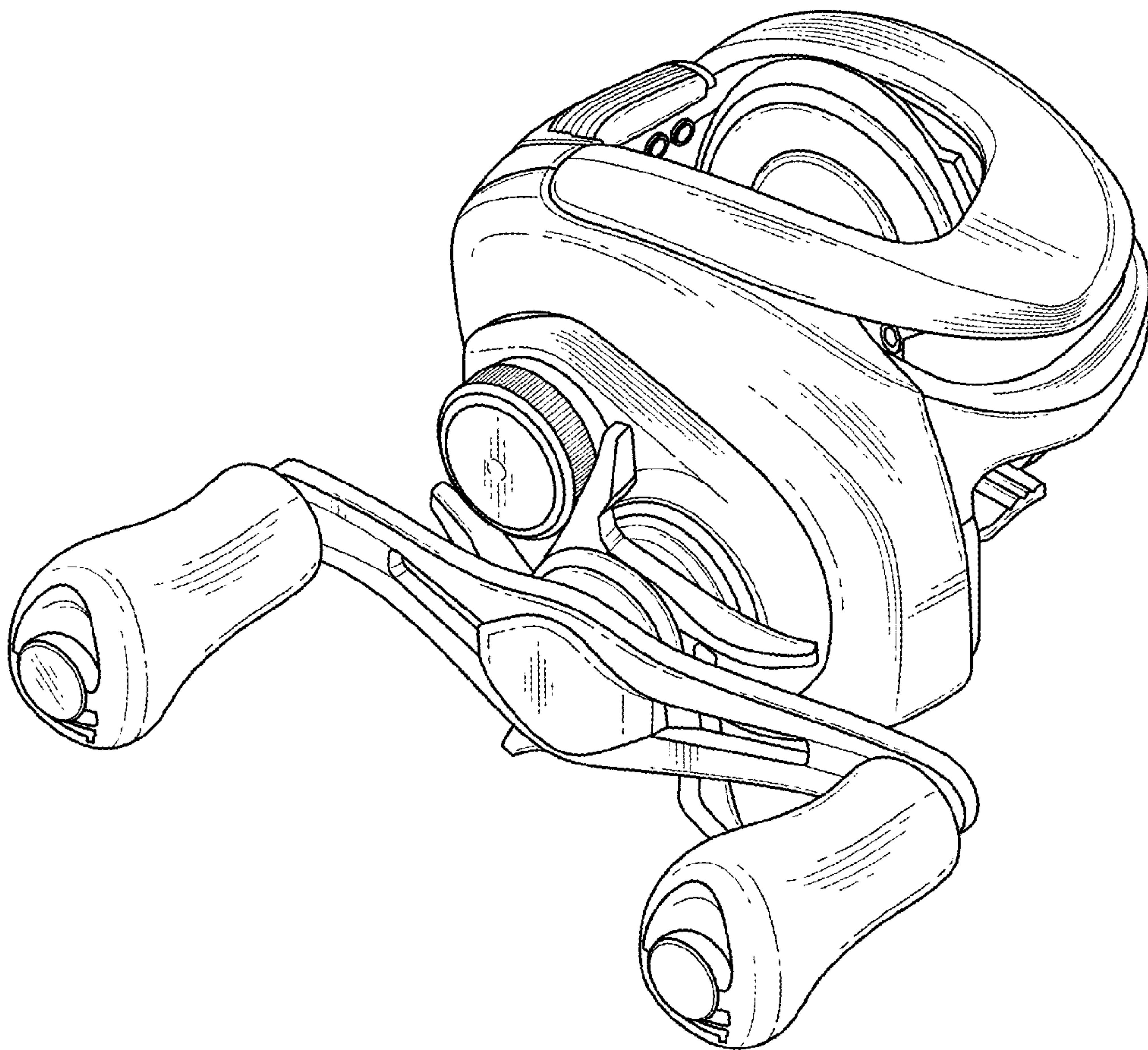


FIG. 2

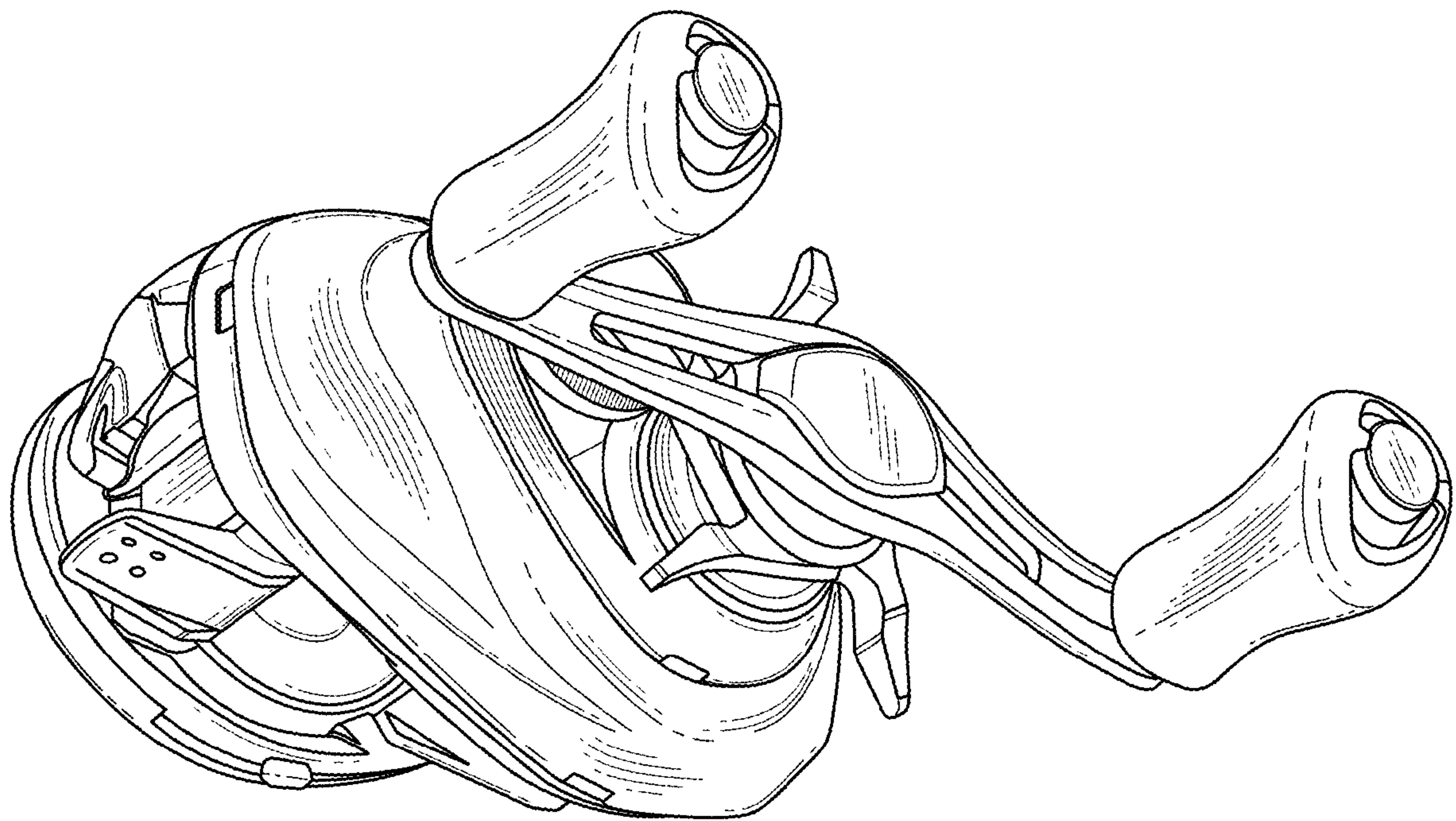


FIG. 3

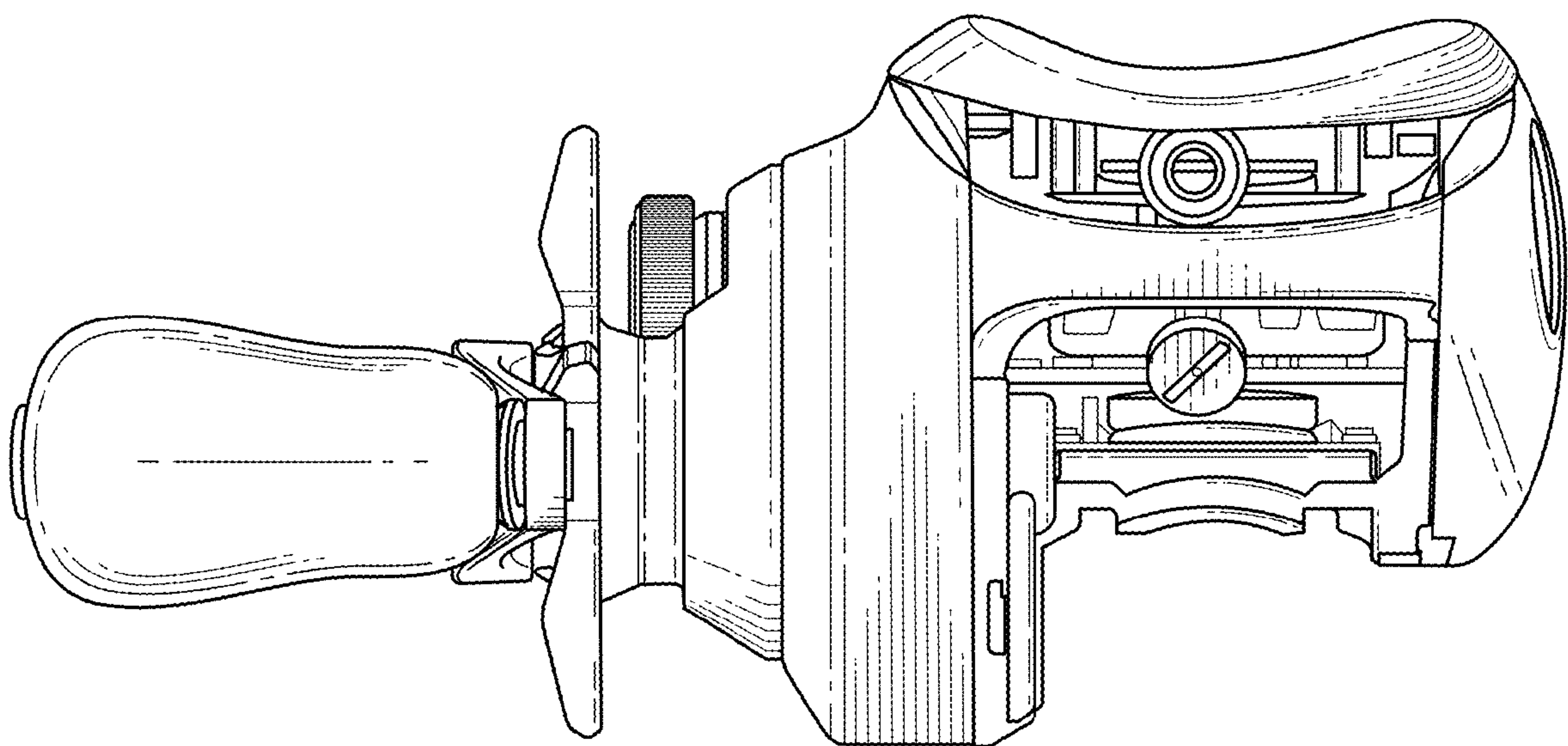


FIG. 4

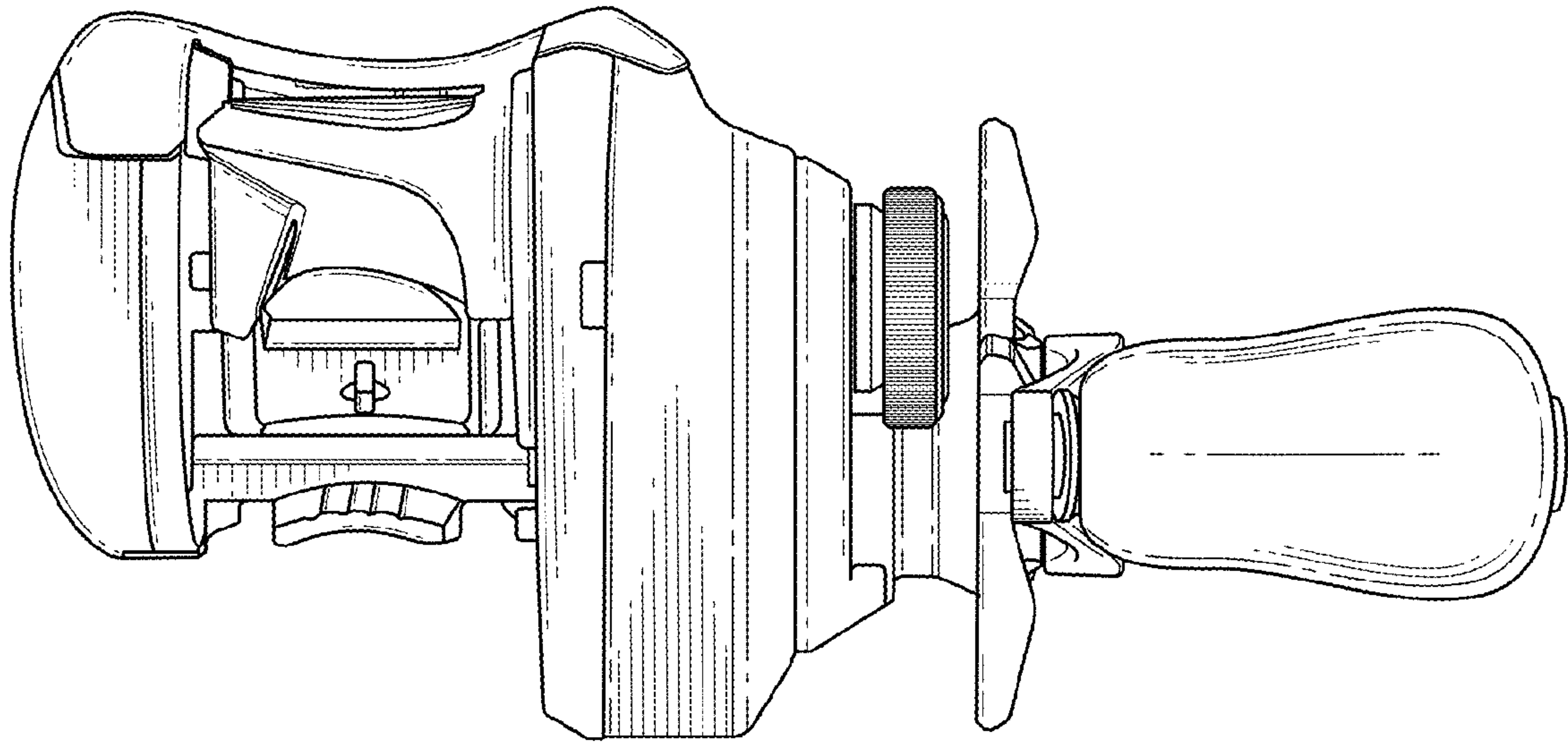


FIG. 5

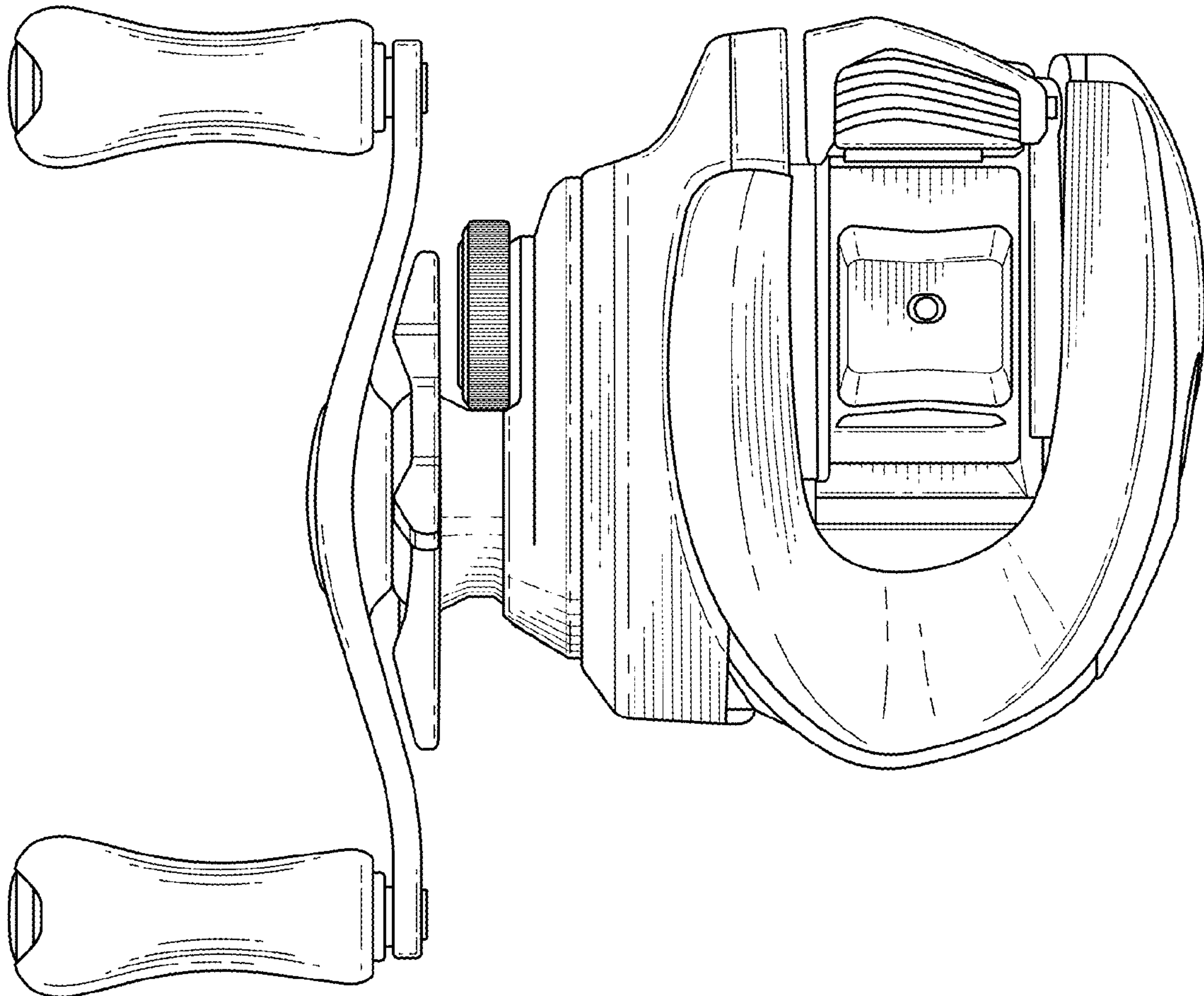


FIG. 6

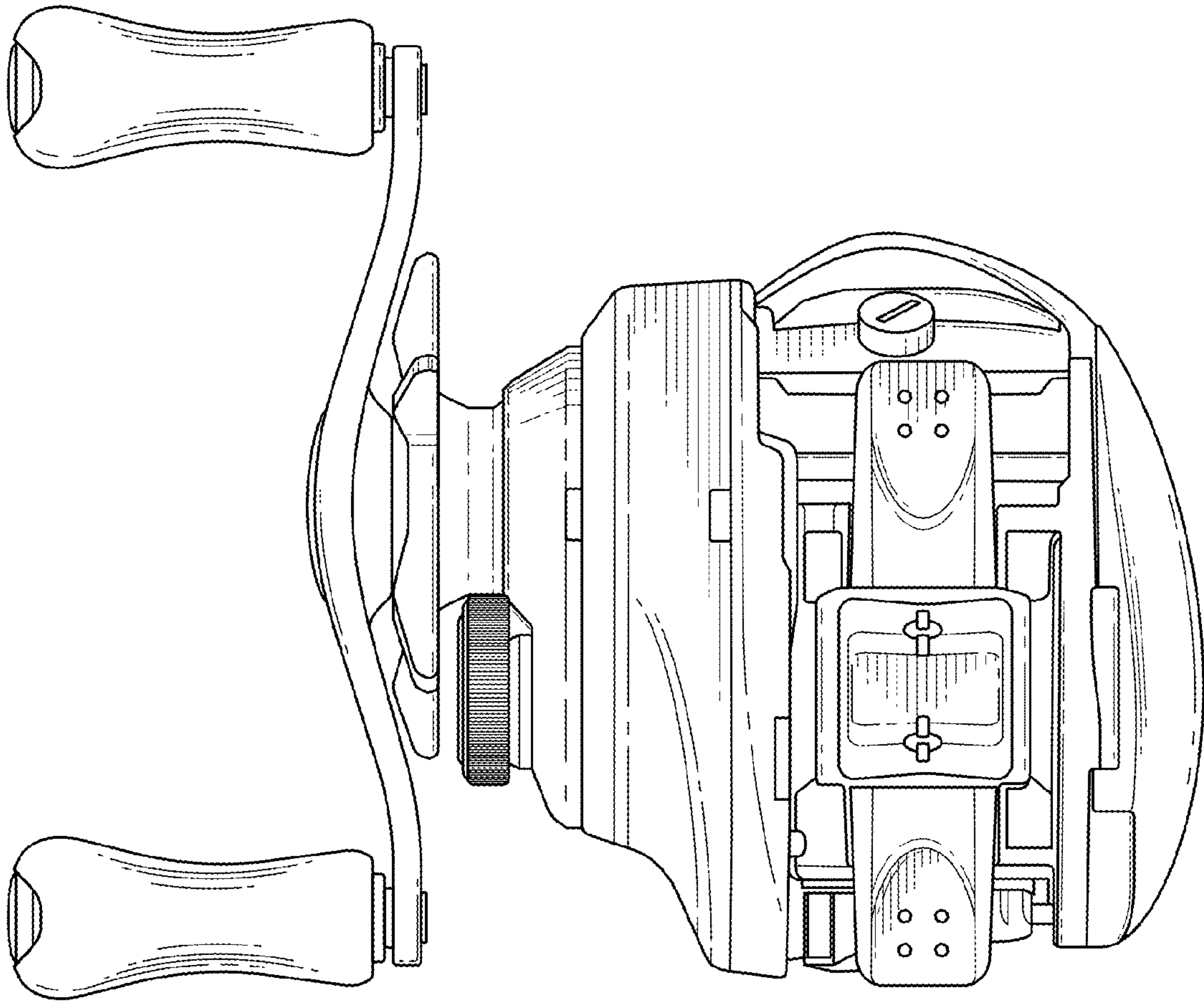


FIG. 7

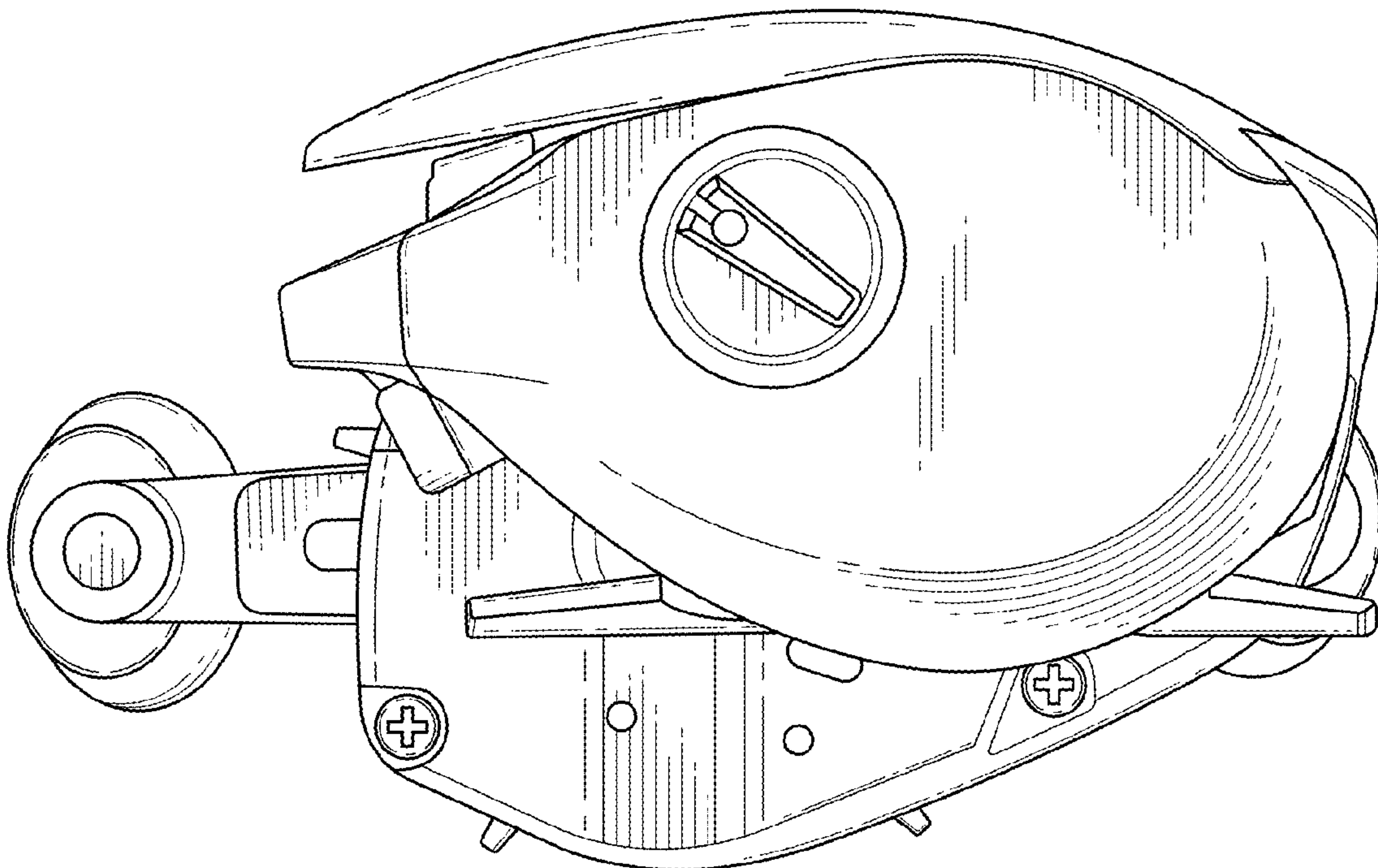


FIG. 8

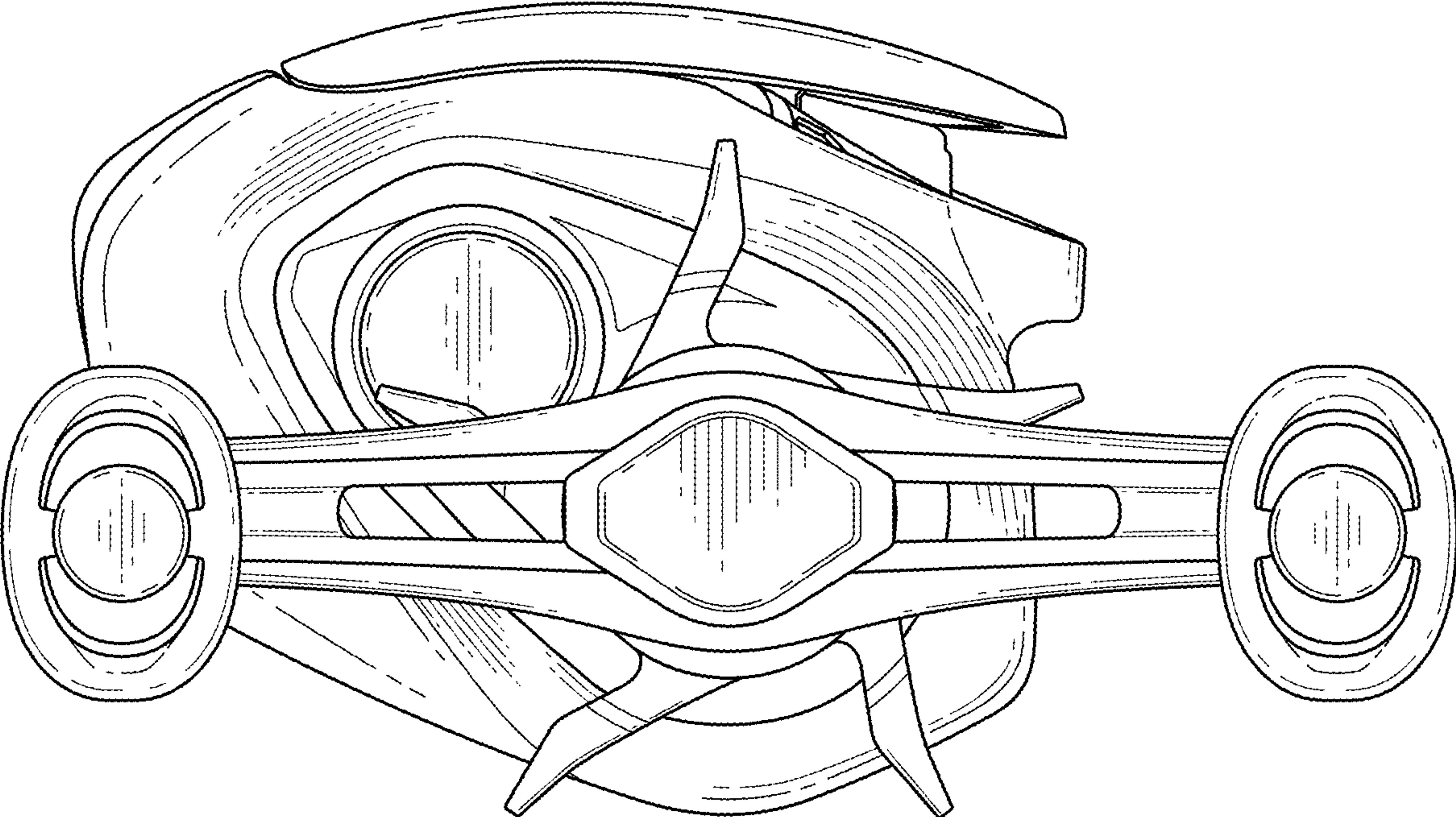


FIG. 9