



US00D890879S

(12) **United States Design Patent** (10) **Patent No.:** **US D890,879 S**
Brown (45) **Date of Patent:** **** Jul. 21, 2020**

(54) **FISHING ROD VIBRATION TRANSFER RING**

D672,429 S * 12/2012 Lin D22/142
D767,087 S * 9/2016 Lin D22/142
D767,088 S * 9/2016 Lin D22/142

(71) Applicant: **Do Outdoors LLC**, Springfield, MO (US)

* cited by examiner

(72) Inventor: **Robert F. Brown**, Strafford, MO (US)

Primary Examiner — Catherine R Oliver-Garcia

(73) Assignee: **DO OUTDOORS, LLC**, Springfield, MO (US)

(74) *Attorney, Agent, or Firm* — K&L Gates LLP

(**) Term: **15 Years**

(57) **CLAIM**

(21) Appl. No.: **29/718,023**

The ornamental design for a fishing rod vibration transfer ring, as shown and described.

(22) Filed: **Dec. 20, 2019**

Related U.S. Application Data

(62) Division of application No. 29/650,756, filed on Jun. 8, 2018, now Pat. No. Des. 874,609.

DESCRIPTION

(51) **LOC (12) Cl.** **22-05**

(52) **U.S. Cl.**
USPC **D22/134**

(58) **Field of Classification Search**
USPC D22/142, 137-138, 134; 43/21.2, 25.2, 43/22-23

CPC A01K 77/00; A01K 87/08; A01K 87/06; A01K 97/06

See application file for complete search history.

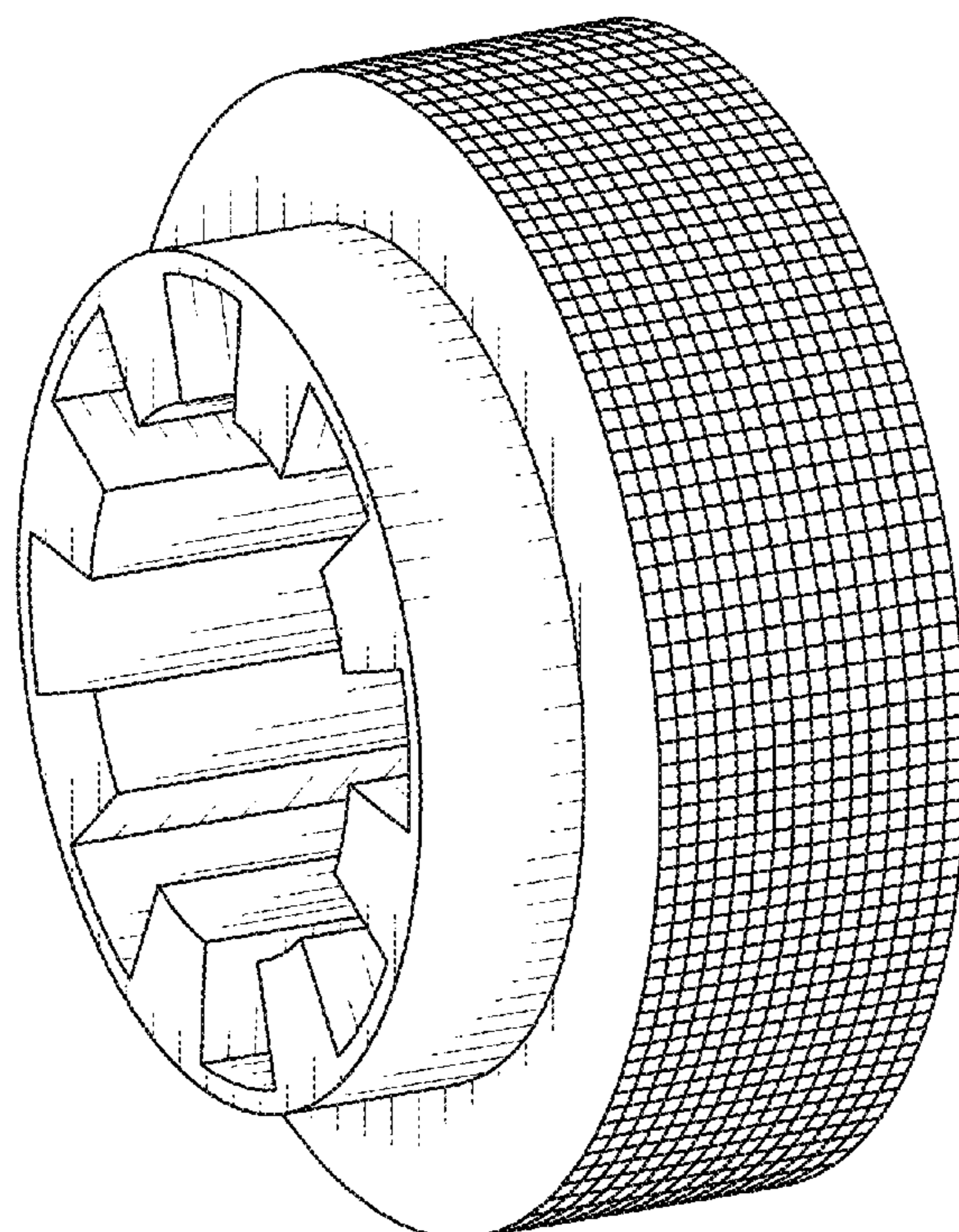
FIG. 1 is a top front perspective view of a vibration transfer ring in accordance with the new design;
FIG. 2 is a top rear perspective view thereof;
FIG. 3 is a top view thereof;
FIG. 4 is a front view thereof;
FIG. 5 is a rear view thereof;
FIG. 6 is a perspective view of FIG. 1 as it would appear prior to being secured to a fishing rod handle; and,
FIG. 7 is a perspective view of FIG. 1 as it would appear prior to being secured to a spinning fishing rod handle.
The broken lines shown in the drawings are only provided to illustrate the environment of the design and form no part of the claimed design.

(56) **References Cited**

U.S. PATENT DOCUMENTS

2,293,559 A * 8/1942 Patterson A01K 87/00
43/23
D613,366 S * 4/2010 Lin D22/142

1 Claim, 7 Drawing Sheets



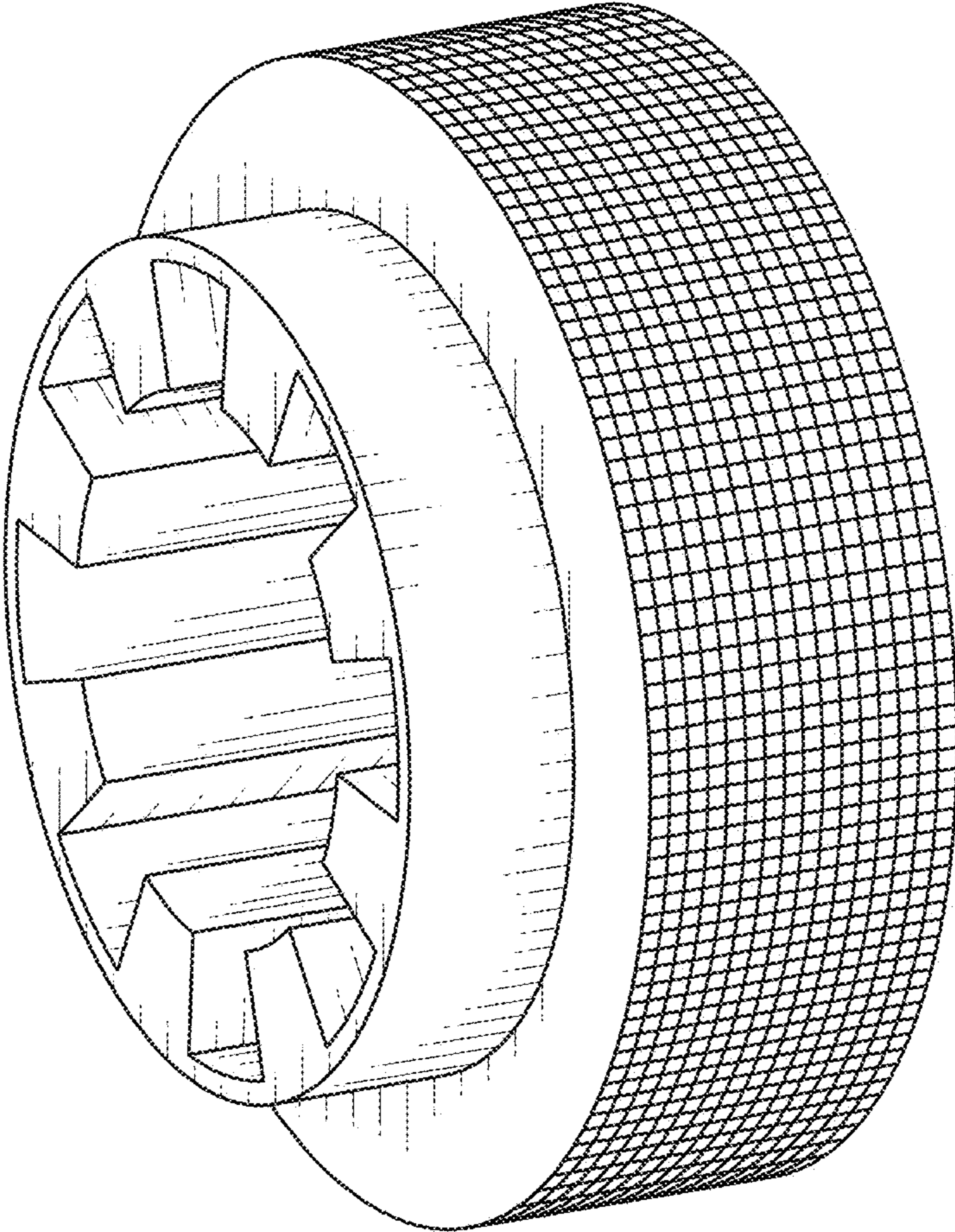


FIG. 1

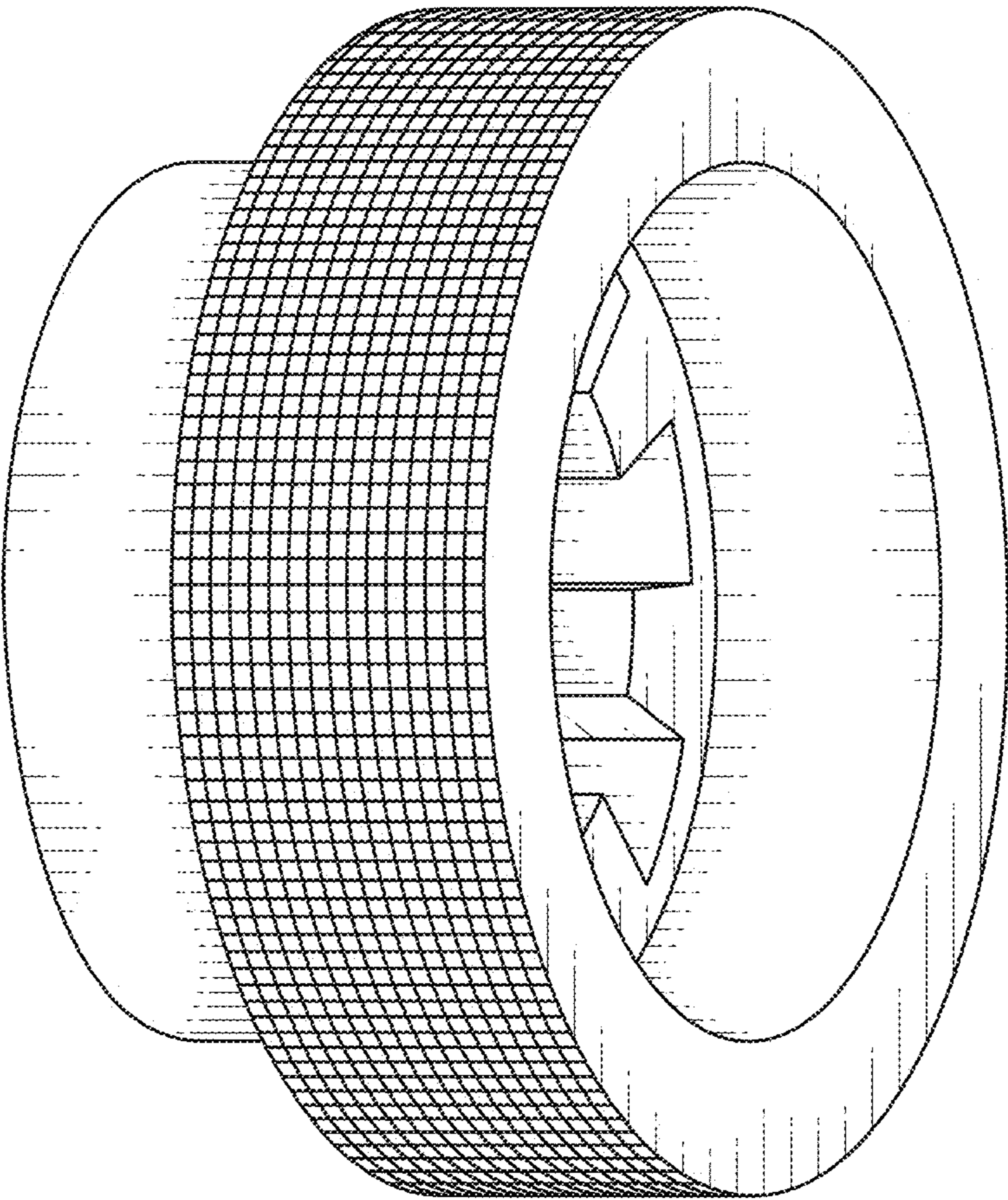


FIG. 2

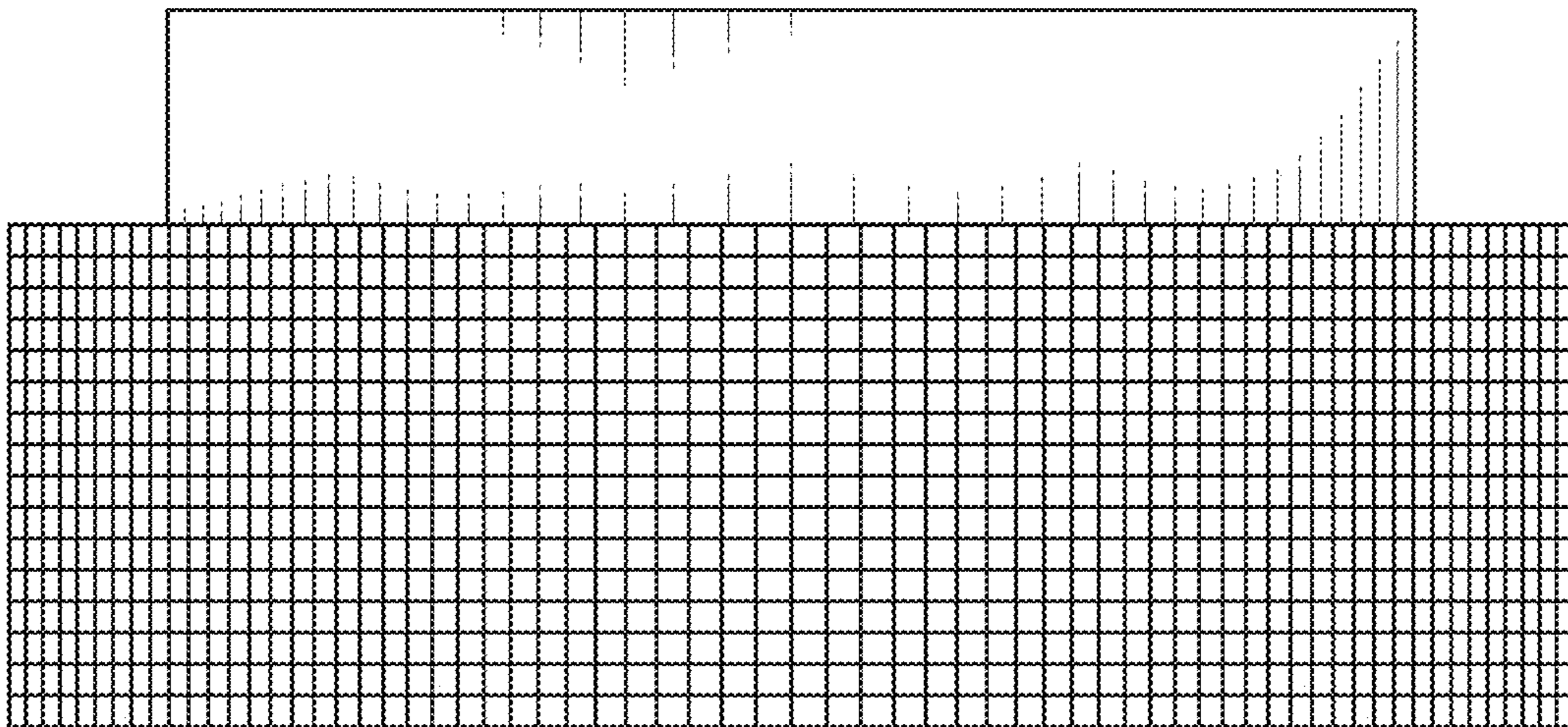


FIG. 3

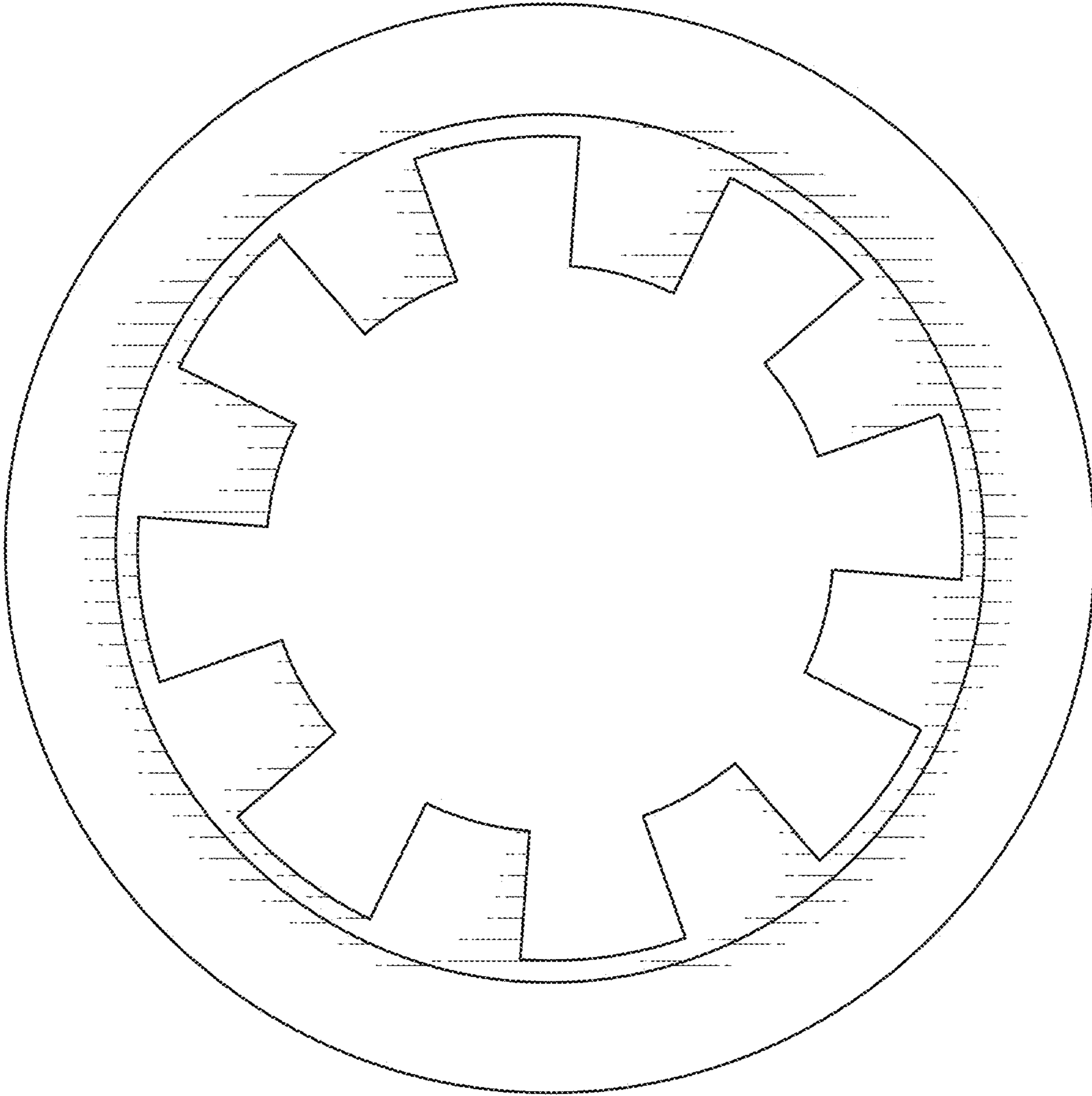


FIG. 4

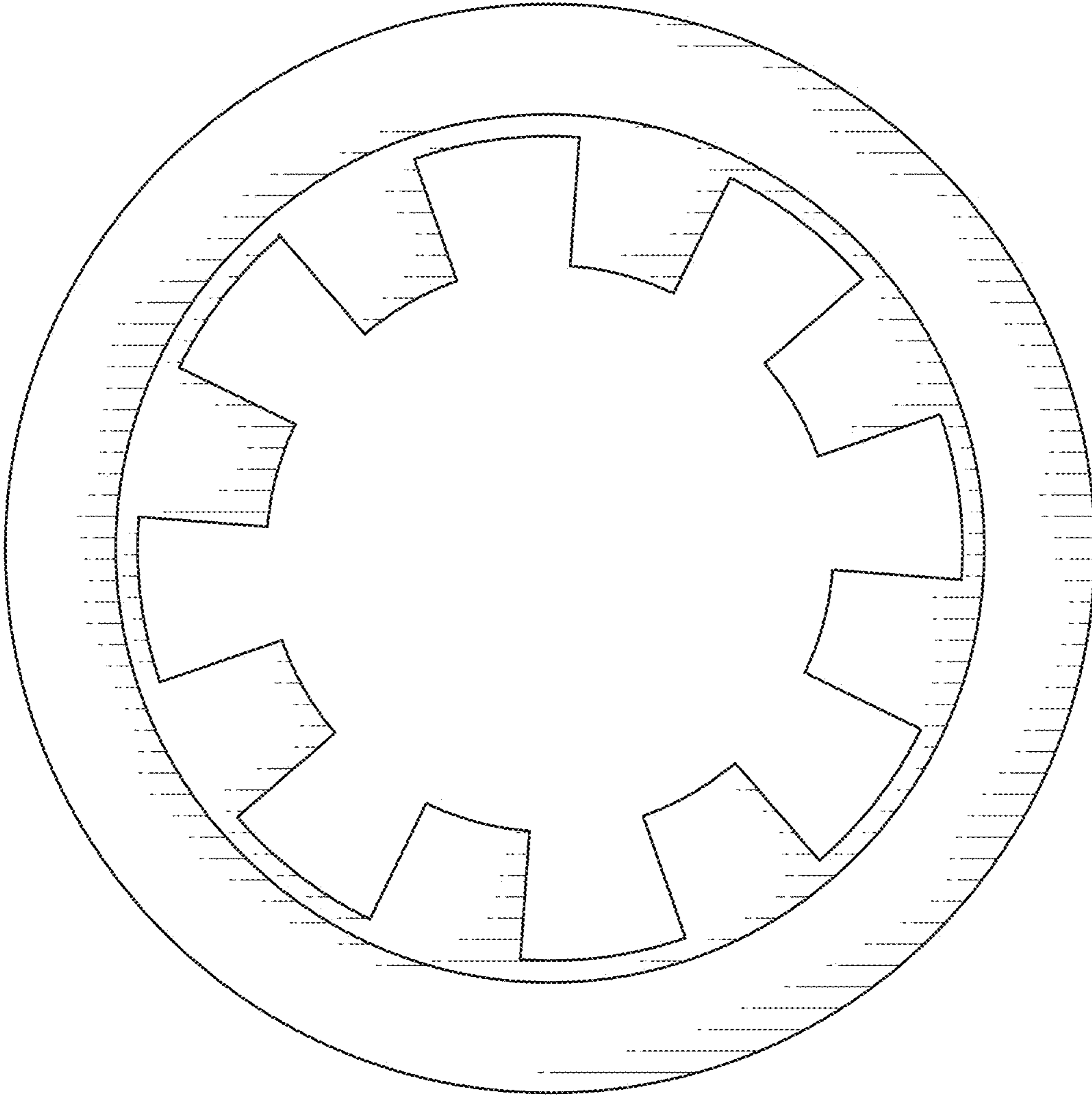


FIG. 5

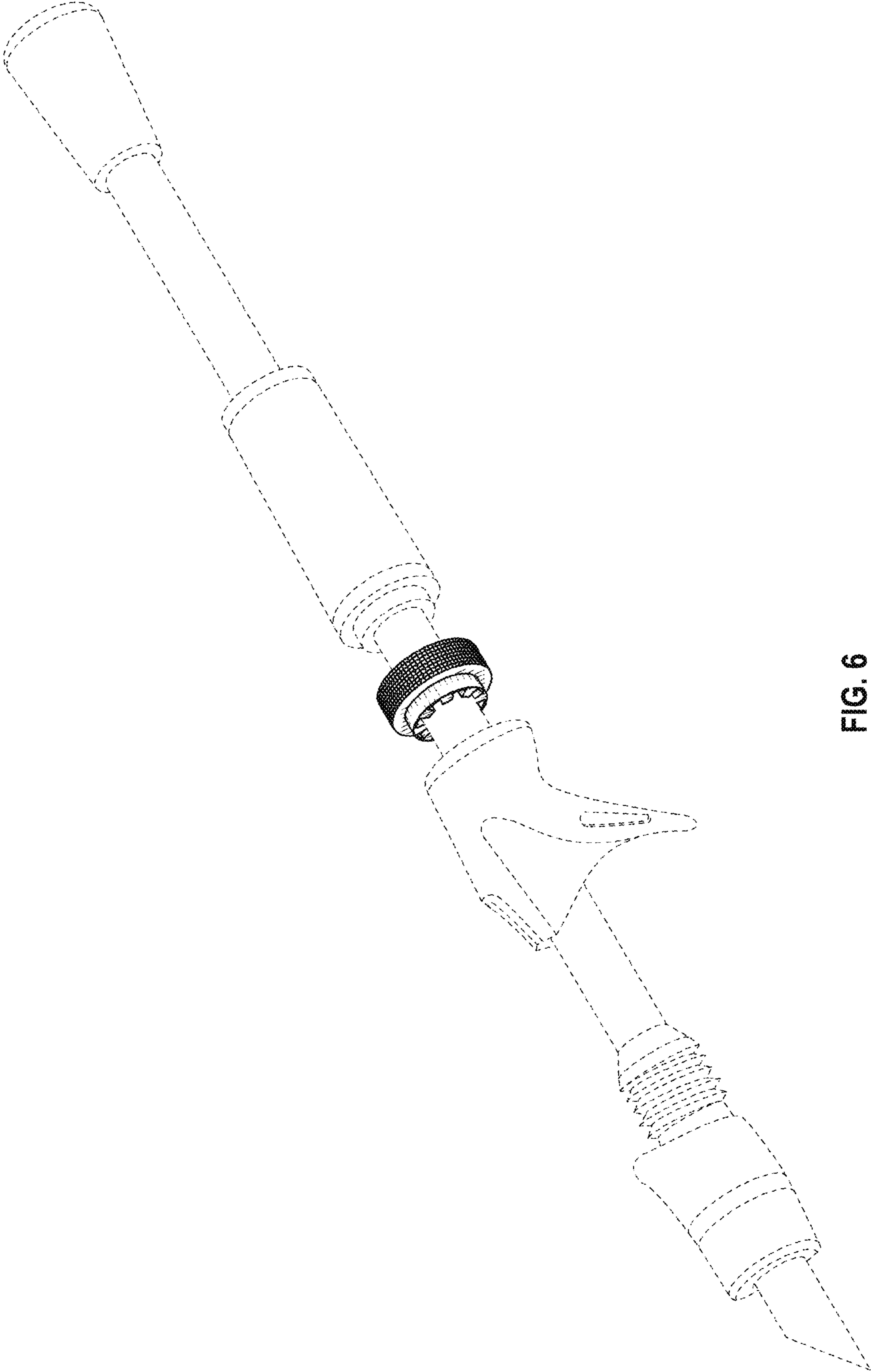


FIG. 6

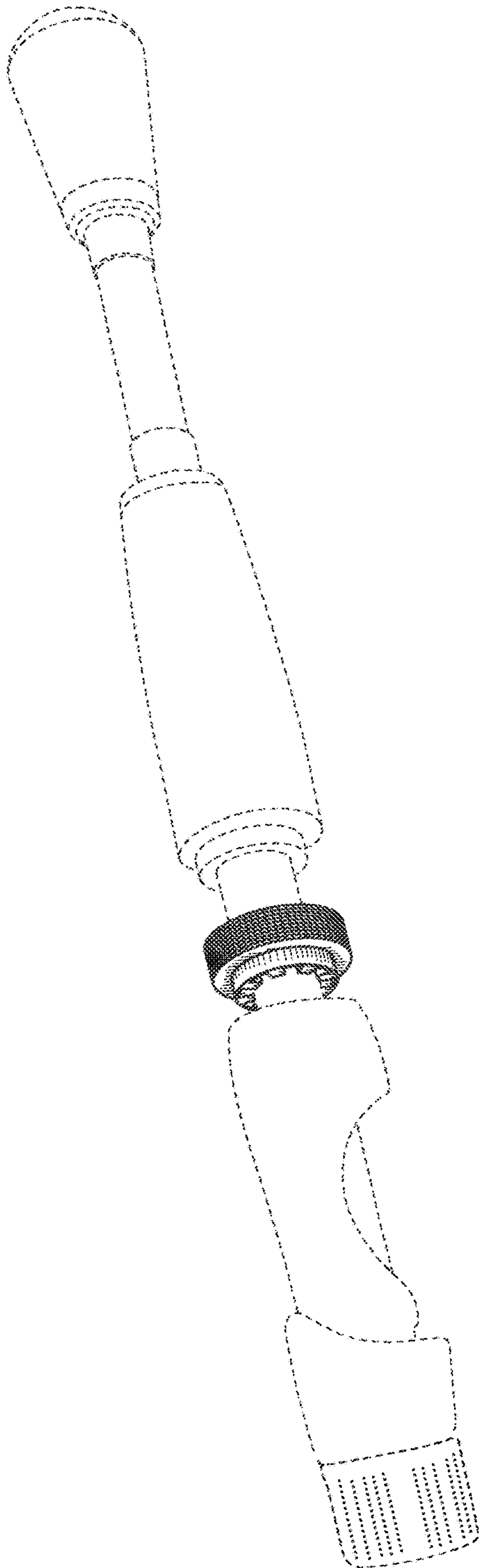


FIG. 7