

US00D890877S

(12) **United States Design Patent**
Moretti

(10) **Patent No.:** **US D890,877 S**

(45) **Date of Patent:** **** Jul. 21, 2020**

(54) **SHOTGUN RECEIVER**

(71) Applicant: **BENELLI ARMI S.P.A.**, Urbino
(Pesaro Urbino) (IT)

(72) Inventor: **Luigi Moretti**, Collebeato (IT)

(73) Assignee: **BENELLI ARMI S.P.A.**, Pesaro
Urbino (IT)

(**) Term: **15 Years**

(21) Appl. No.: **29/683,624**

(22) Filed: **Mar. 14, 2019**

(30) **Foreign Application Priority Data**

Mar. 6, 2019 (EM) 006287082

(51) **LOC (12) Cl.** **22-01**

(52) **U.S. Cl.**
USPC **D22/108**

(58) **Field of Classification Search**
USPC D22/104, 108; D21/572-575
CPC F41A 3/66
See application file for complete search history.

(56) **References Cited**

U.S. PATENT DOCUMENTS

D717,386 S * 11/2014 Moretti D22/103
2003/0140546 A1* 7/2003 Kay F41G 1/033
42/133

2011/0225864 A1* 9/2011 Pullicar F41A 9/72
42/71.01
2017/0227318 A1* 8/2017 Yaka F41A 3/66
2018/0172376 A1* 6/2018 Alexander F41A 9/72

* cited by examiner

Primary Examiner — Michael A. Pratt

(74) *Attorney, Agent, or Firm* — R. Neil Sudol; Henry D. Coleman

(57) **CLAIM**

The ornamental design for shotgun receiver, as shown and described.

DESCRIPTION

FIG. 1 is a rear and right side perspective view of shotgun receiver, showing my new design;

FIG. 2 is a rear and right side perspective view thereof, on a larger scale;

FIG. 3 is a front and left side perspective view thereof;

FIG. 4 is a bottom plan view thereof;

FIG. 5 is a right side elevational view thereof;

FIG. 6 is top plan view thereof;

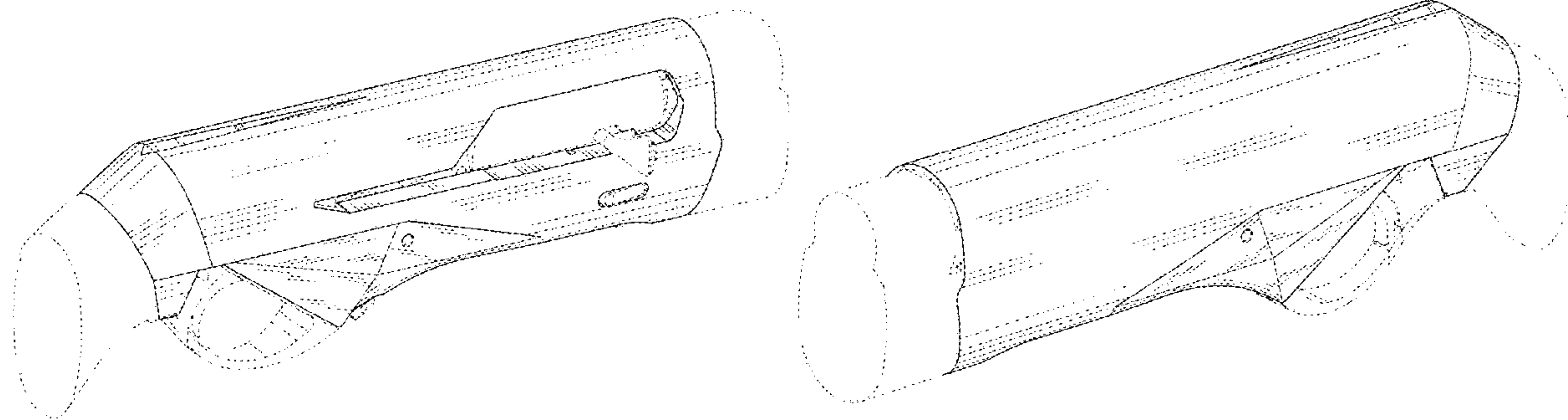
FIG. 7 is a left side elevational view thereof;

FIG. 8 is a front elevational view thereof; and,

FIG. 9 is a rear elevational view thereof.

The broken lines in the drawing figures designate surrounding or environmental structure of a shotgun that forms no part of the design to be patented.

1 Claim, 6 Drawing Sheets



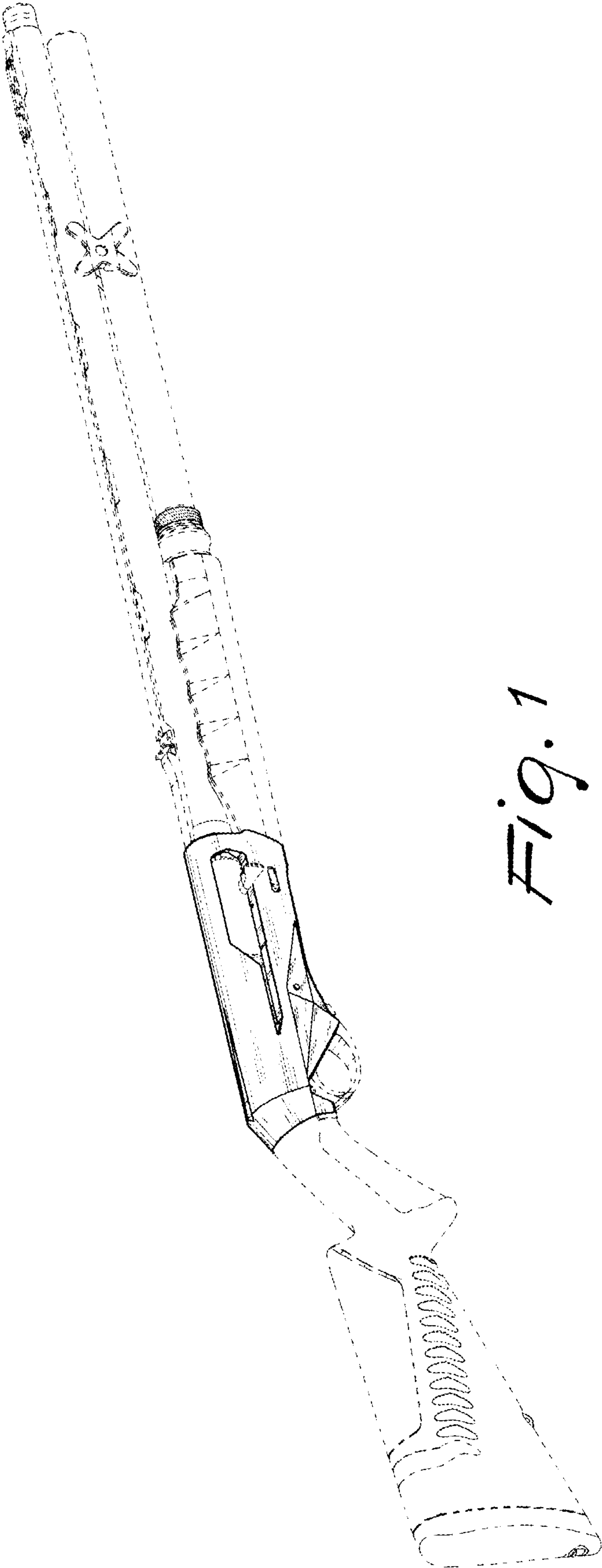


Fig. 1

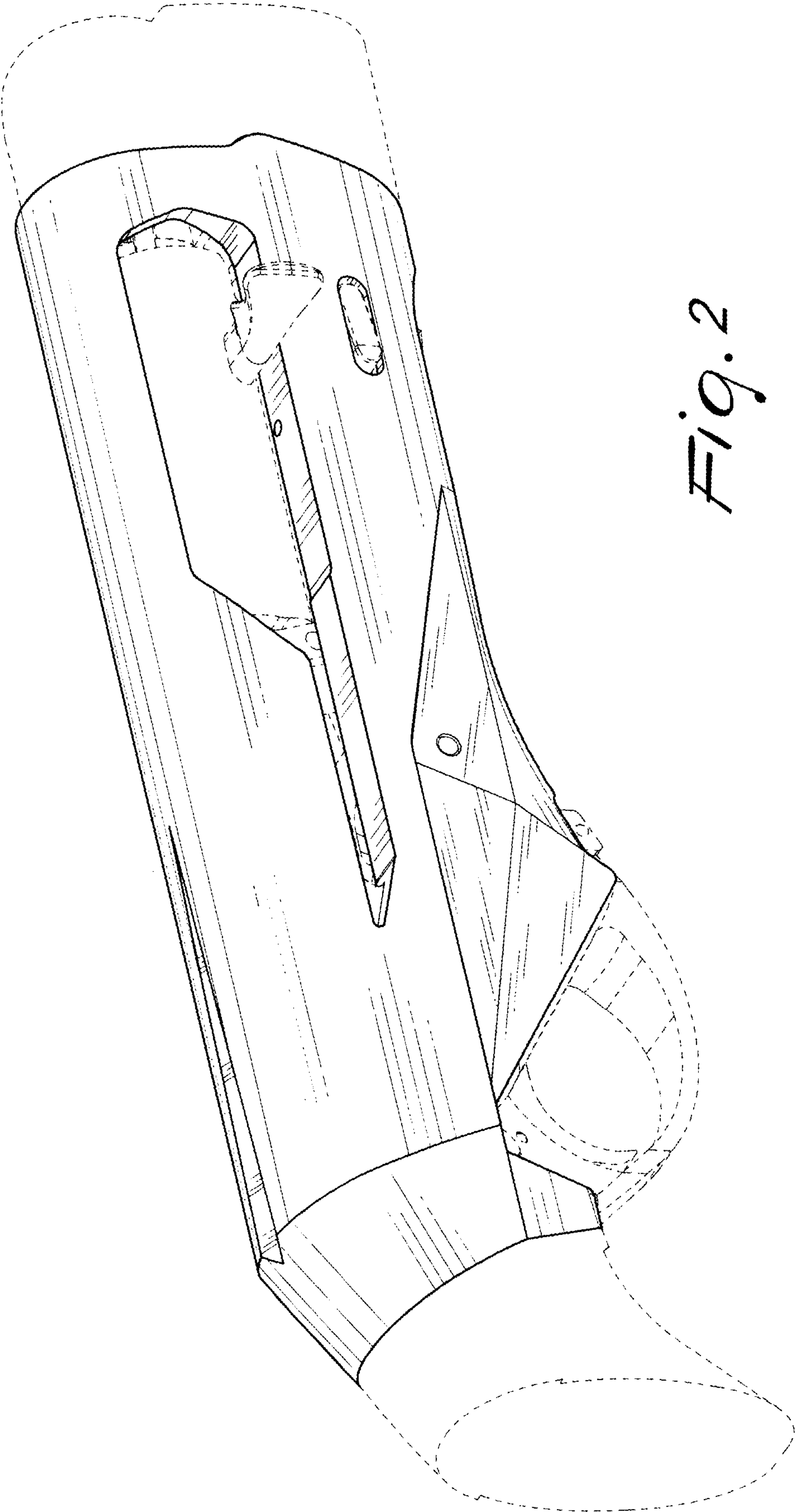


Fig. 2

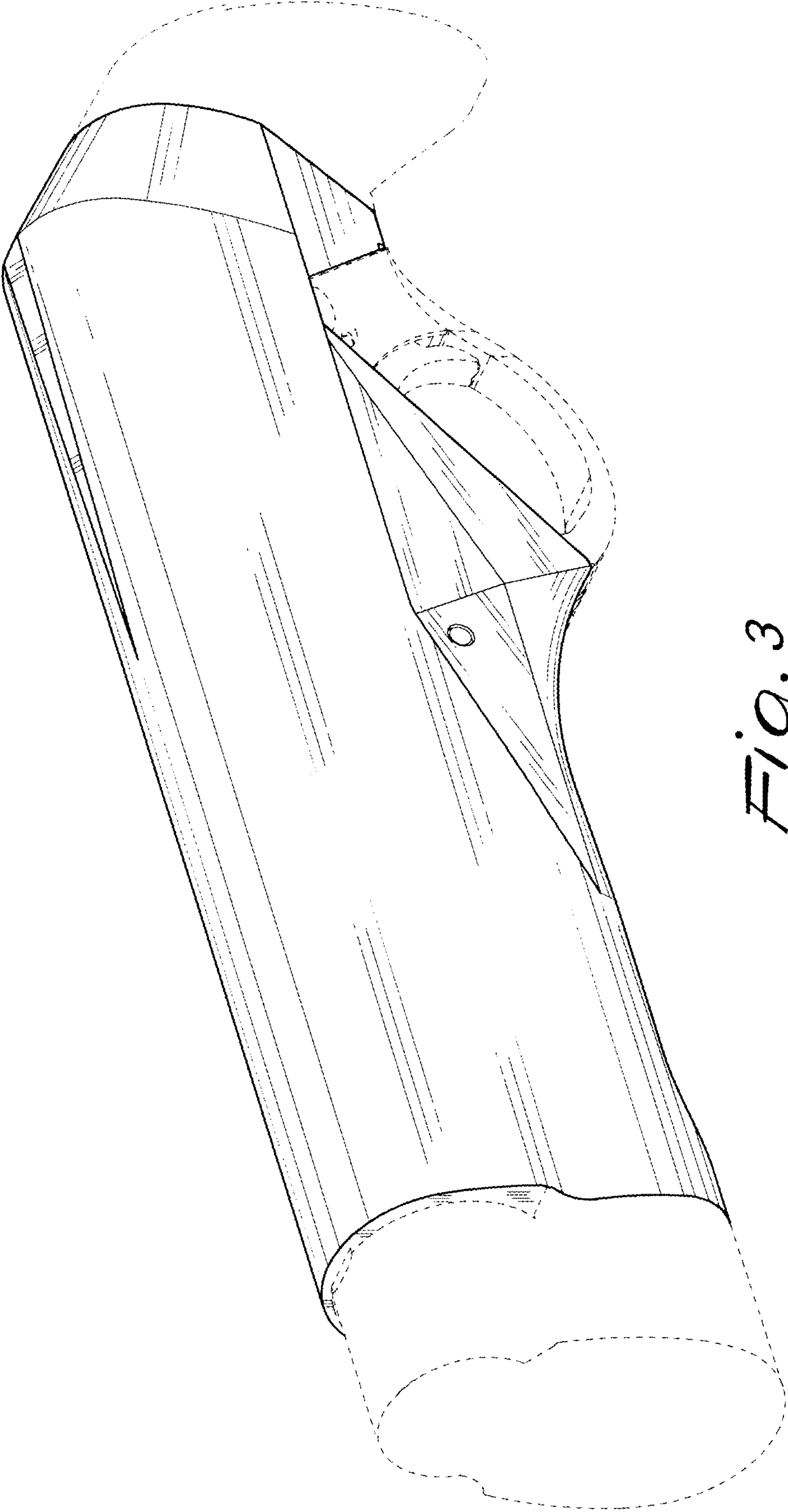


Fig. 3

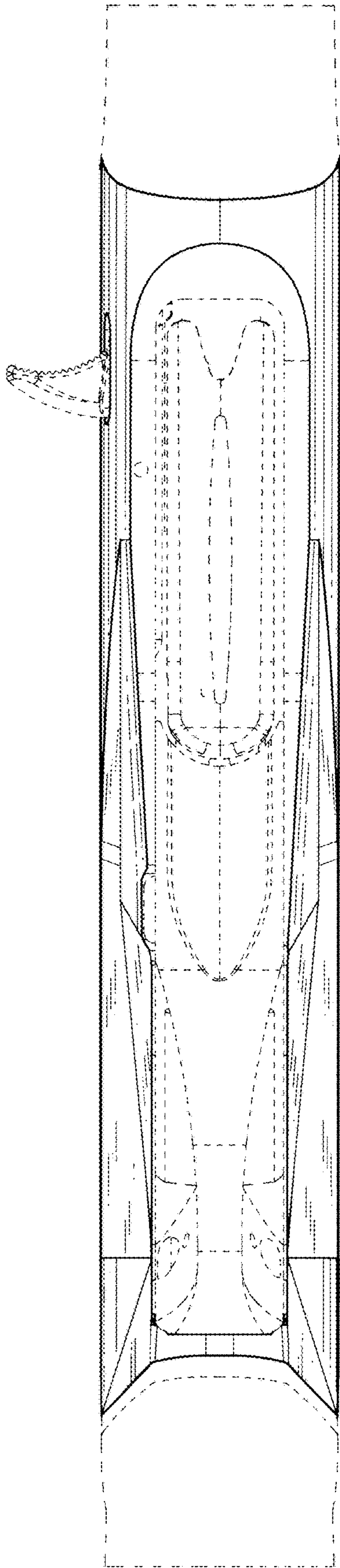


Fig. 4

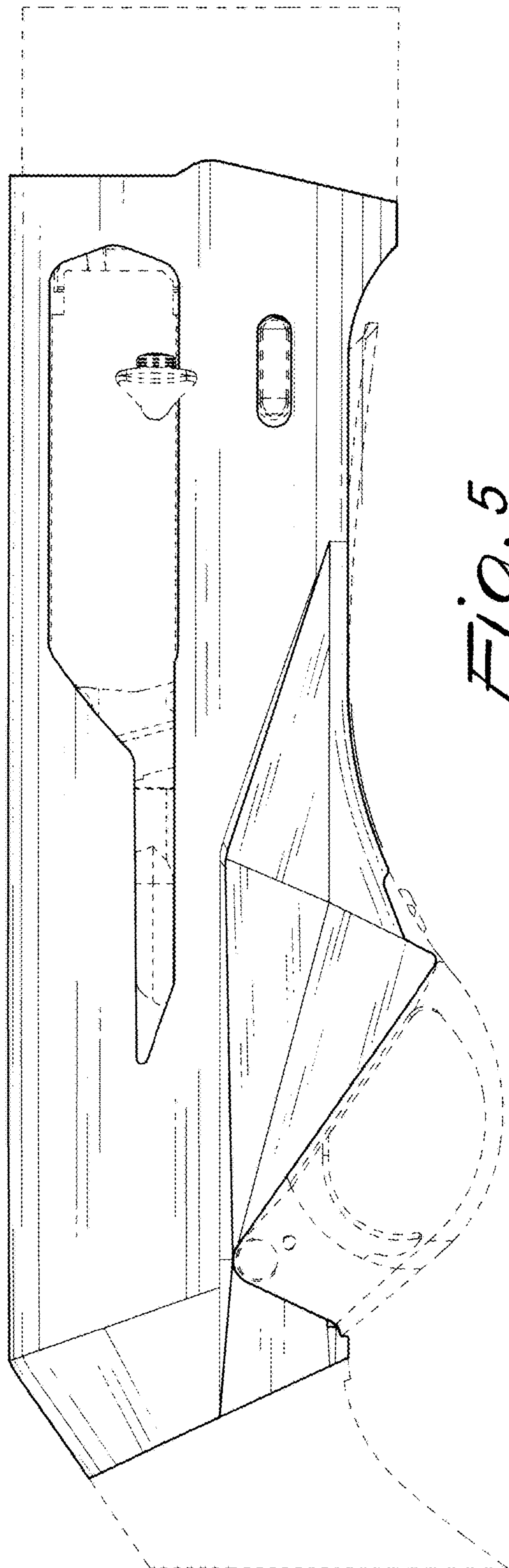


Fig. 5



Fig. 6

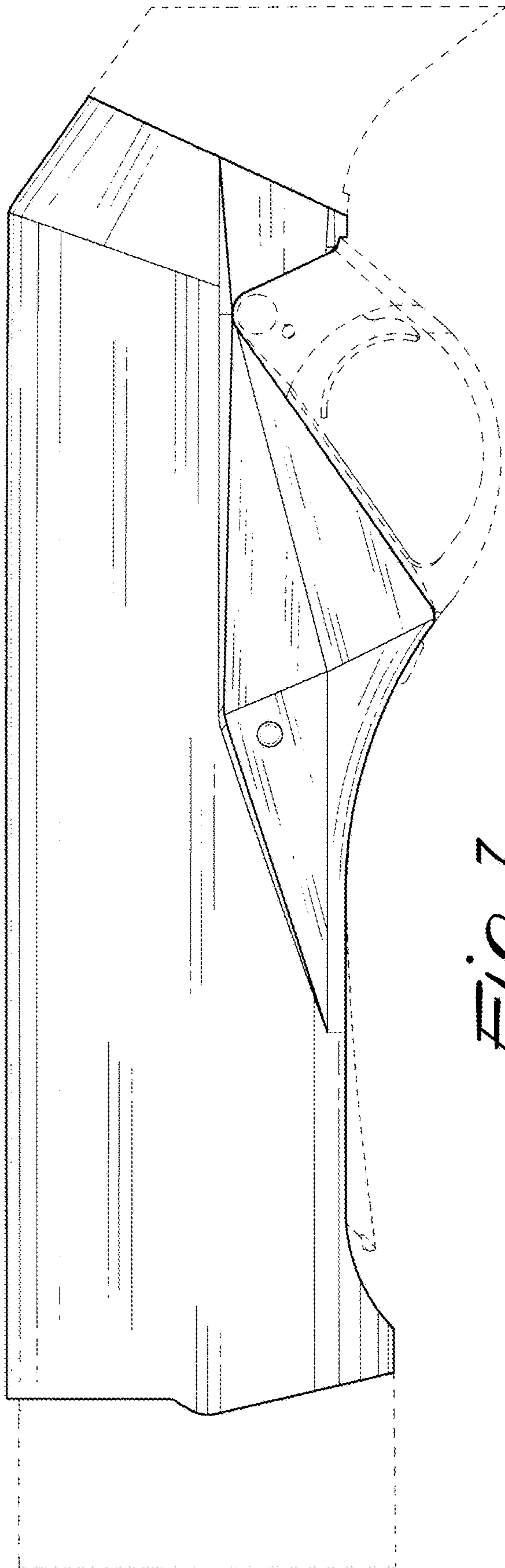


Fig. 7

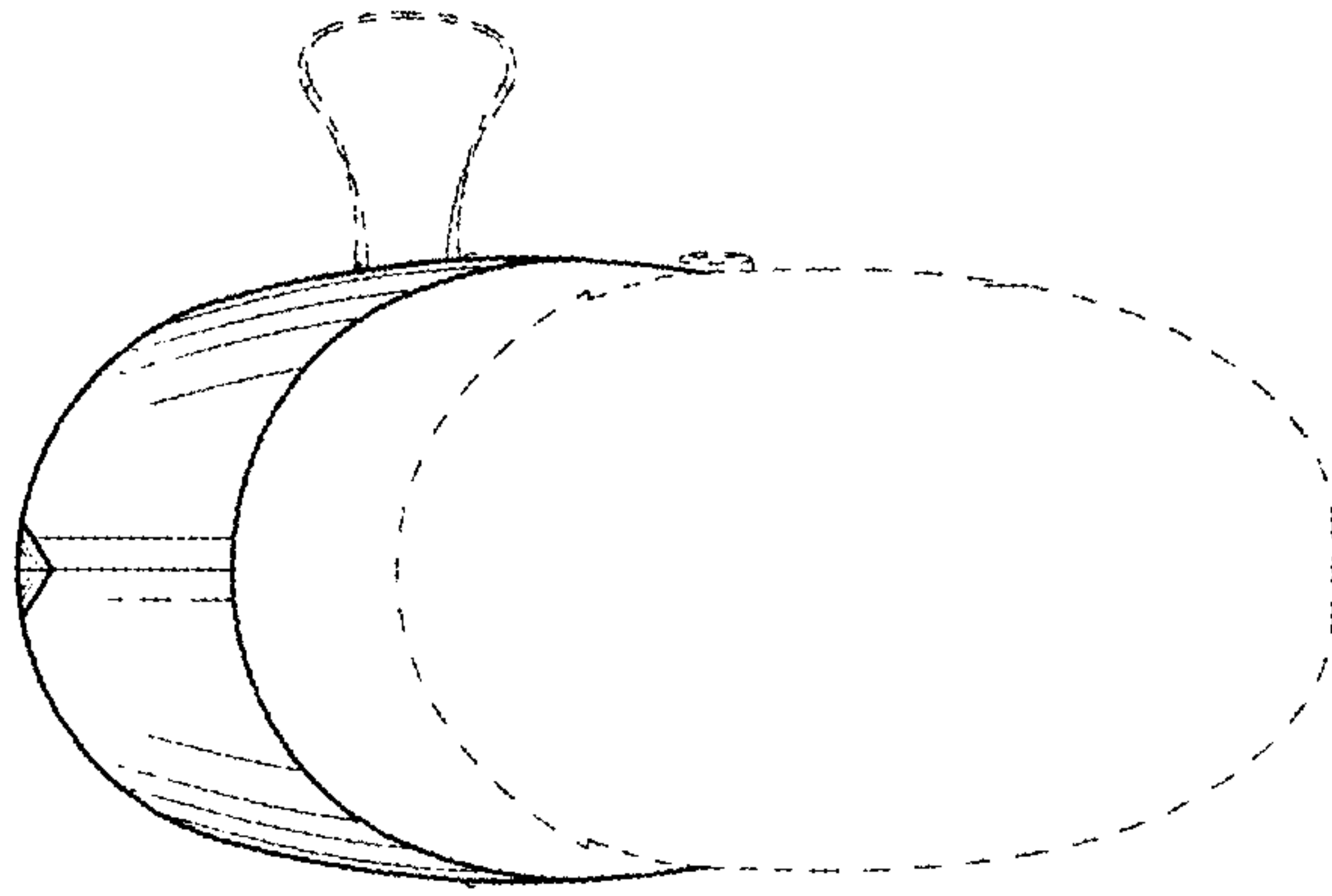


Fig. 9

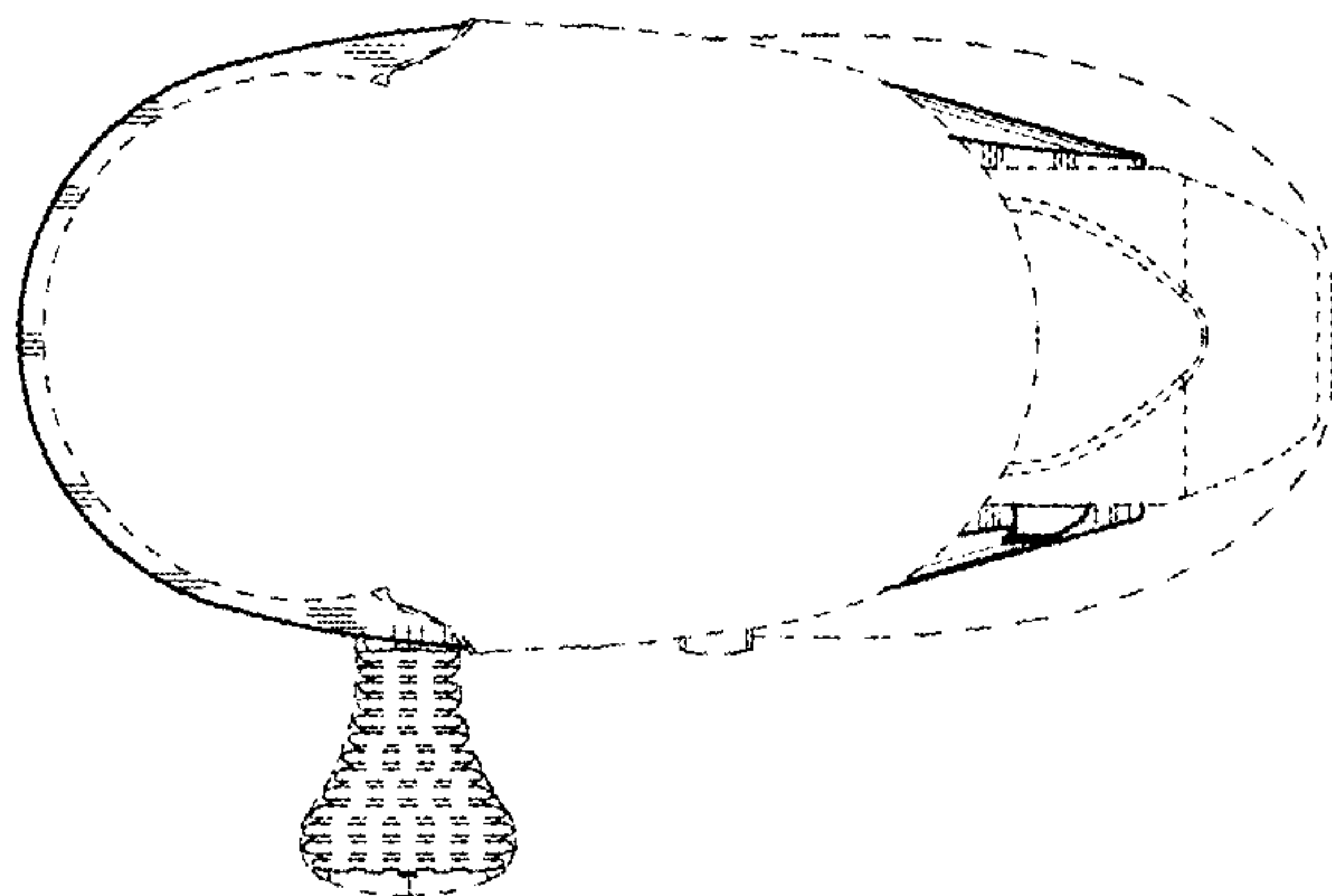


Fig. 8