



US00D890876S

(12) **United States Design Patent**
McLeroy et al.

(10) **Patent No.:** **US D890,876 S**

(45) **Date of Patent:** **** Jul. 21, 2020**

(54) **BARREL NUT**

(71) Applicant: **Daniel Defense, Inc.**, Black Creek, GA (US)

(72) Inventors: **Daniel McLeroy**, Savannah, GA (US);
Marvin C. Daniel, Pooler, GA (US)

(73) Assignee: **DANIEL DEFENSE, INC.**, Black Creek, GA (US)

(**) Term: **15 Years**

(21) Appl. No.: **29/677,437**

(22) Filed: **Jan. 21, 2019**

(51) **LOC (12) Cl.** **22-01**

(52) **U.S. Cl.**
USPC **D22/108**

(58) **Field of Classification Search**
USPC D22/100, 103, 108, 109, 113, 115, 116,
D22/199; D21/302, 567, 573
CPC F41C 7/00; F41C 23/16; F41G 1/02; F41G
1/027; F41G 1/14; F41J 1/10; F42B 6/10;
F42B 7/00; F42B 7/02; F41A 17/38
See application file for complete search history.

(56) **References Cited**

U.S. PATENT DOCUMENTS

7,367,519	B2 *	5/2008	de Groote	A47J 19/04 241/169.1
D723,130	S *	2/2015	Barrett	D22/108
D734,828	S *	7/2015	Geissele	D22/108
9,389,043	B1 *	7/2016	Zhang	F41C 23/16
9,448,027	B1 *	9/2016	Zinsner	F41A 21/482
D778,391	S *	2/2017	Burrow	D22/115
D789,480	S *	6/2017	Olsen	D22/108
9,841,248	B2 *	12/2017	Bybee	F41A 13/10
10,030,930	B2 *	7/2018	Hill	F41A 21/485

D847,934	S *	5/2019	Hiler, Jr.	D22/108
D849,870	S *	5/2019	Cluff	D22/108
2002/0089767	A1 *	7/2002	Bell	G02B 23/14 359/823
2018/0202757	A1 *	7/2018	Samson	F41C 23/16

OTHER PUBLICATIONS

“Delta 5—Daniel Defense’s New Precision Bolt Action Rifle” [online]. Tom Beckstrand. [Published Jan. 20, 2019]. Retrieved from the Internet: <<https://www.gunsandammo.com/editorial/delta-5-daniel-defenses-new-precision-bolt-action-rifle/331104>>.*

“Gun Review: Proof Research Switch-Barrel” [online]. Richard A. Mann. [Published Dec. 5, 2018]. Retrieved from the Internet: <<https://gundigest.com/rifles/proof-research-switch-barrel>>.*

“LaRue Barrel Nut for 5.56 Ultimate Upper Kits and PredatOBR Rifles” [online]. larue.com. [Retrieved Jan. 27, 2020]. Retrieved from the Internet: <<https://www.larue.com/products/larue-barrel-nut-for-5-56-ultimate-upper-kits-and-predatobr-rifles/>>.*

* cited by examiner

Primary Examiner — Khawaja Anwar

Assistant Examiner — Mojtaba Tehrani

(74) *Attorney, Agent, or Firm* — Eversheds Sutherland (US) LLP

(57) **CLAIM**

We claim the ornamental design for a barrel nut, as shown and described.

DESCRIPTION

FIG. 1 is a perspective view of a barrel nut according to the disclosure;

FIG. 2 is a perspective view thereof;

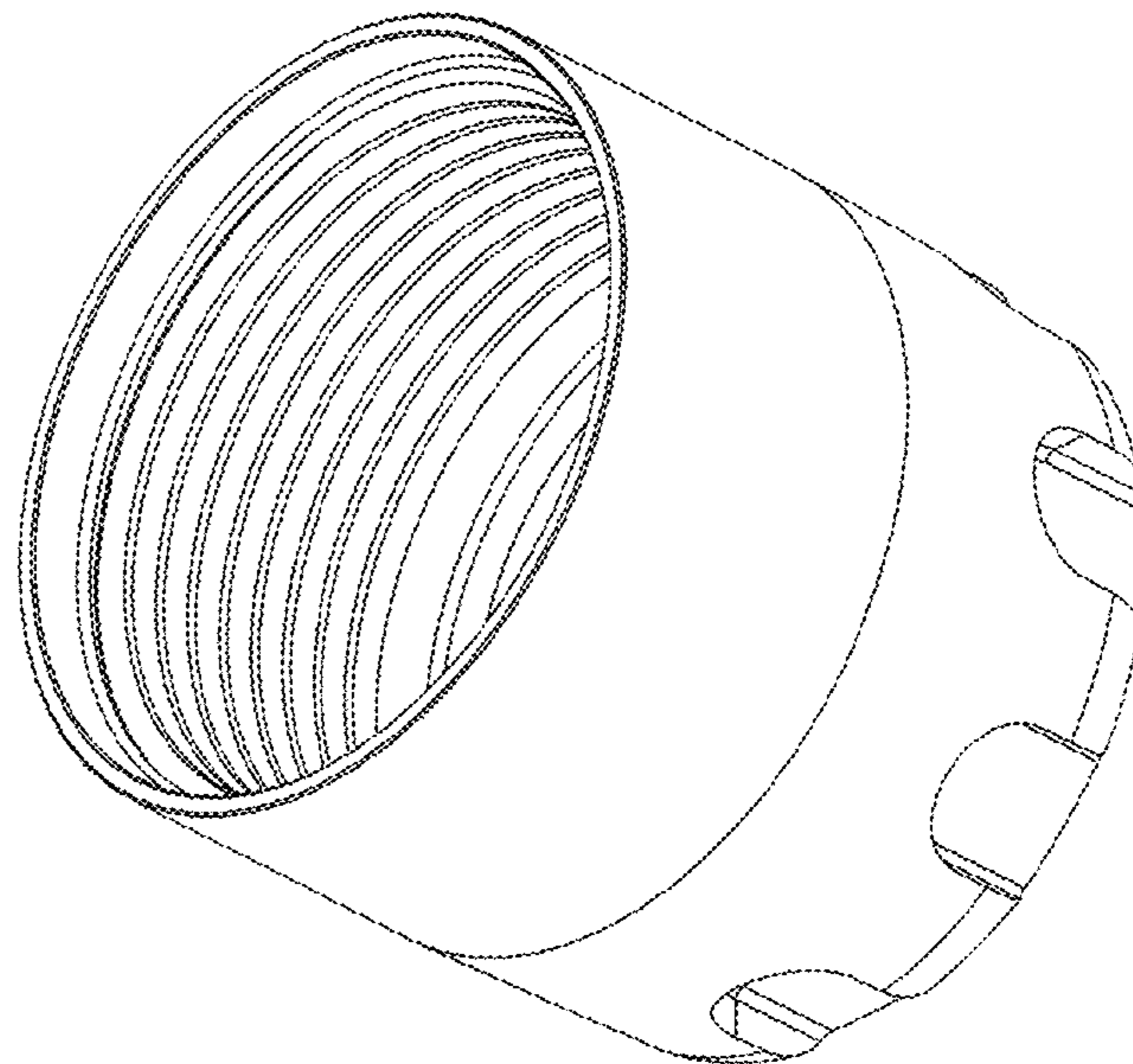
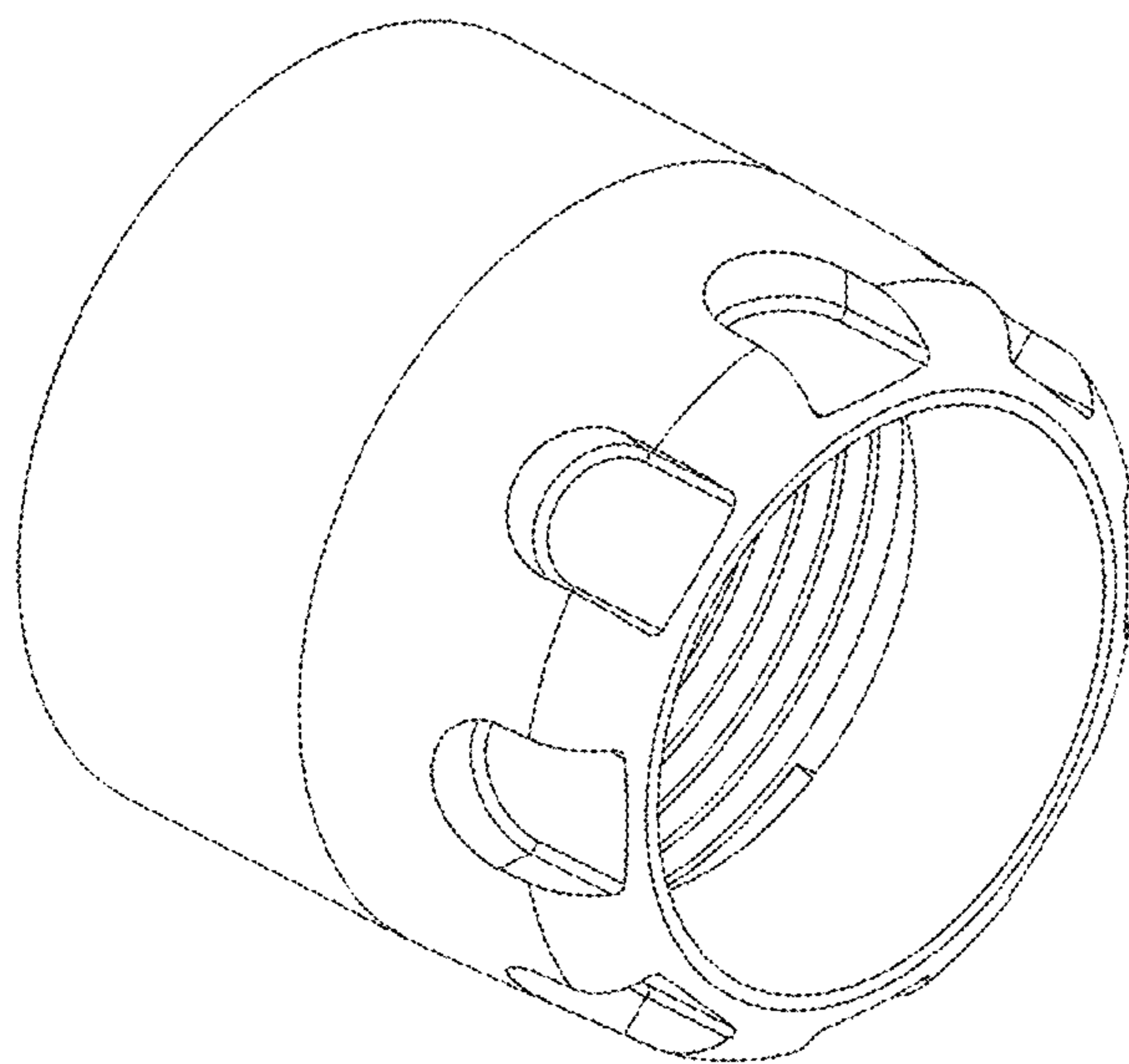
FIG. 3 is a side view thereof;

FIG. 4 is a cross-sectional view thereof;

FIG. 5 is a front view thereof; and,

FIG. 6 is a rear view thereof.

1 Claim, 6 Drawing Sheets



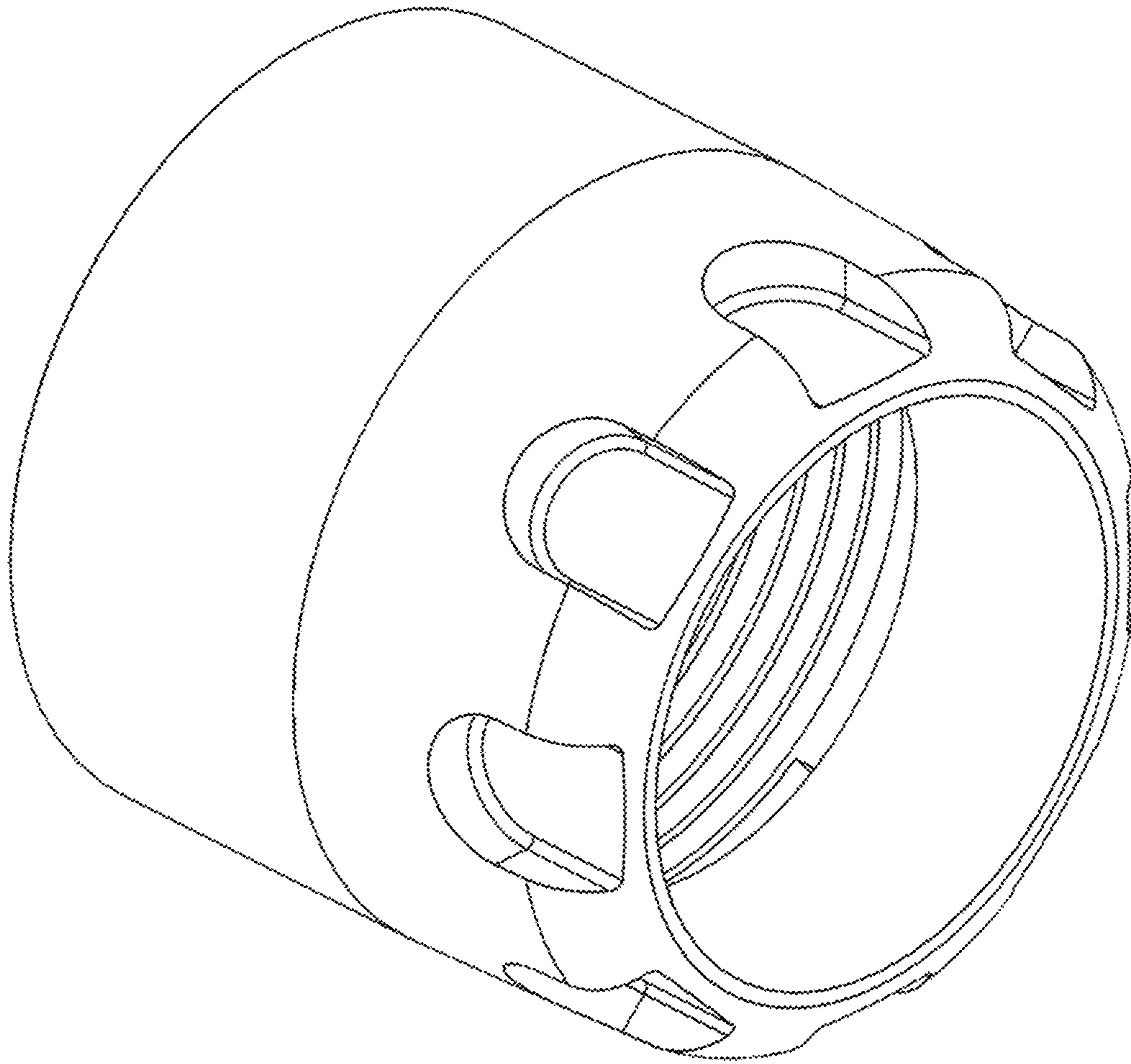


FIG. 1

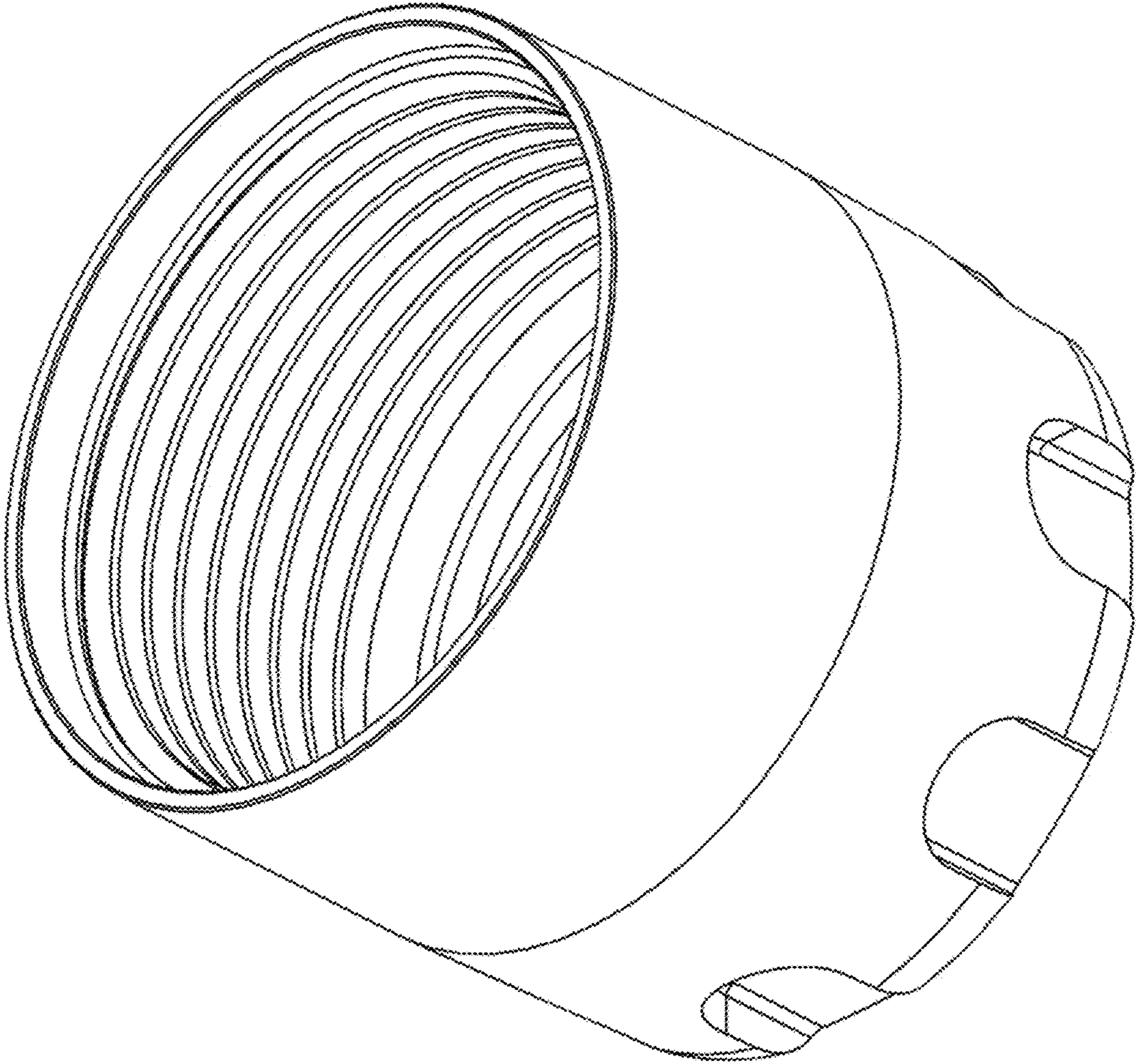


FIG. 2

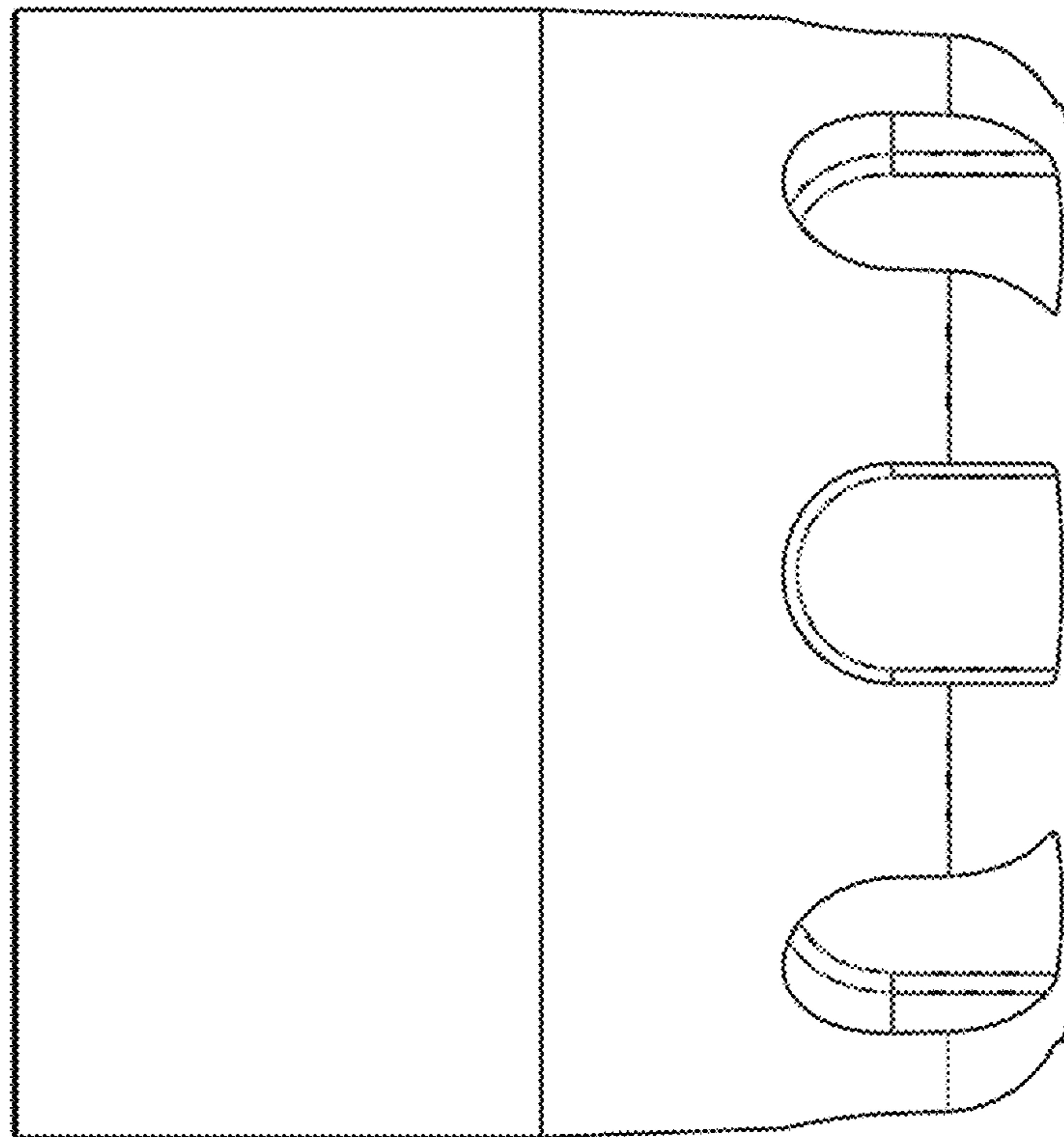


FIG. 3

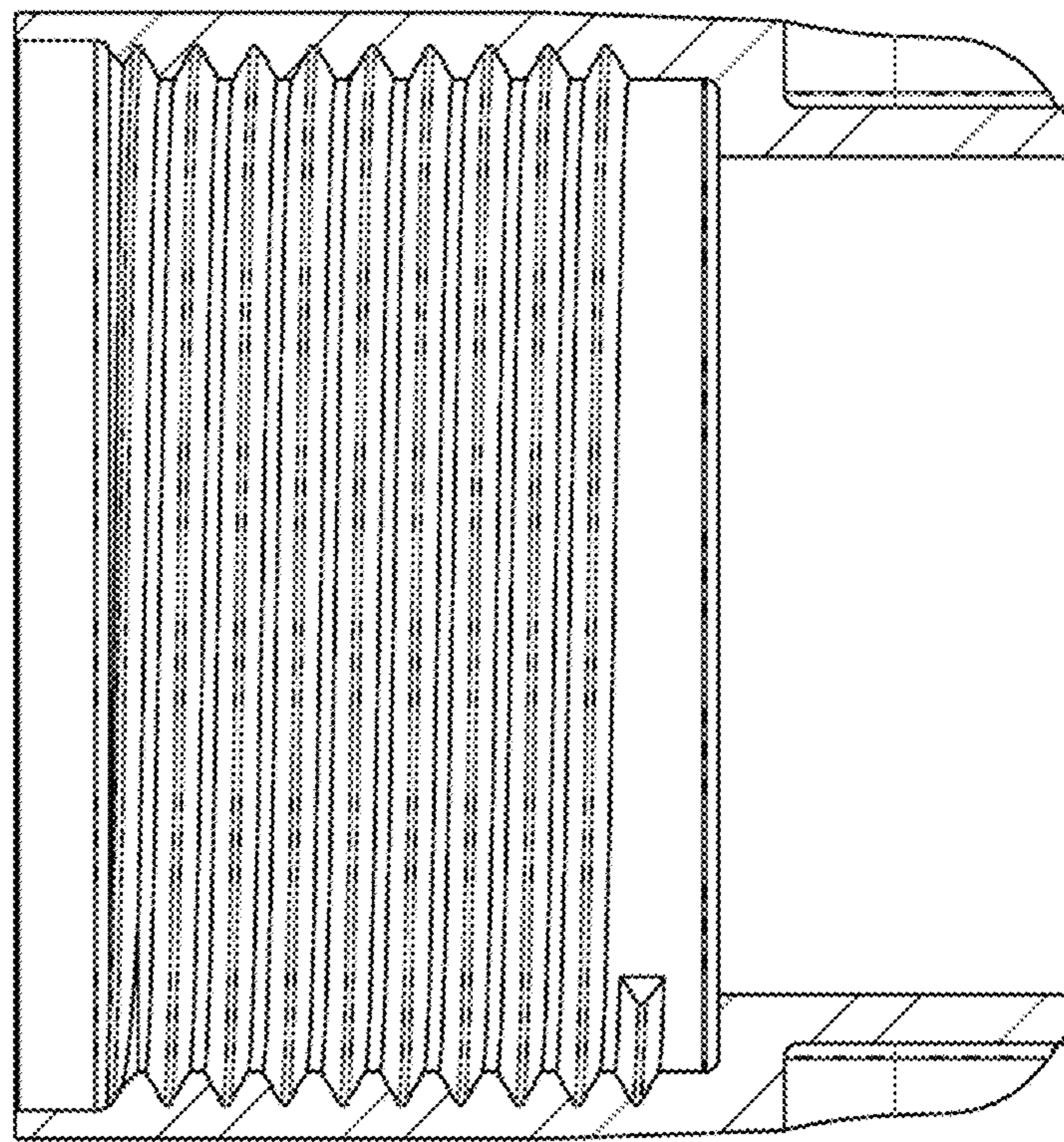


FIG. 4

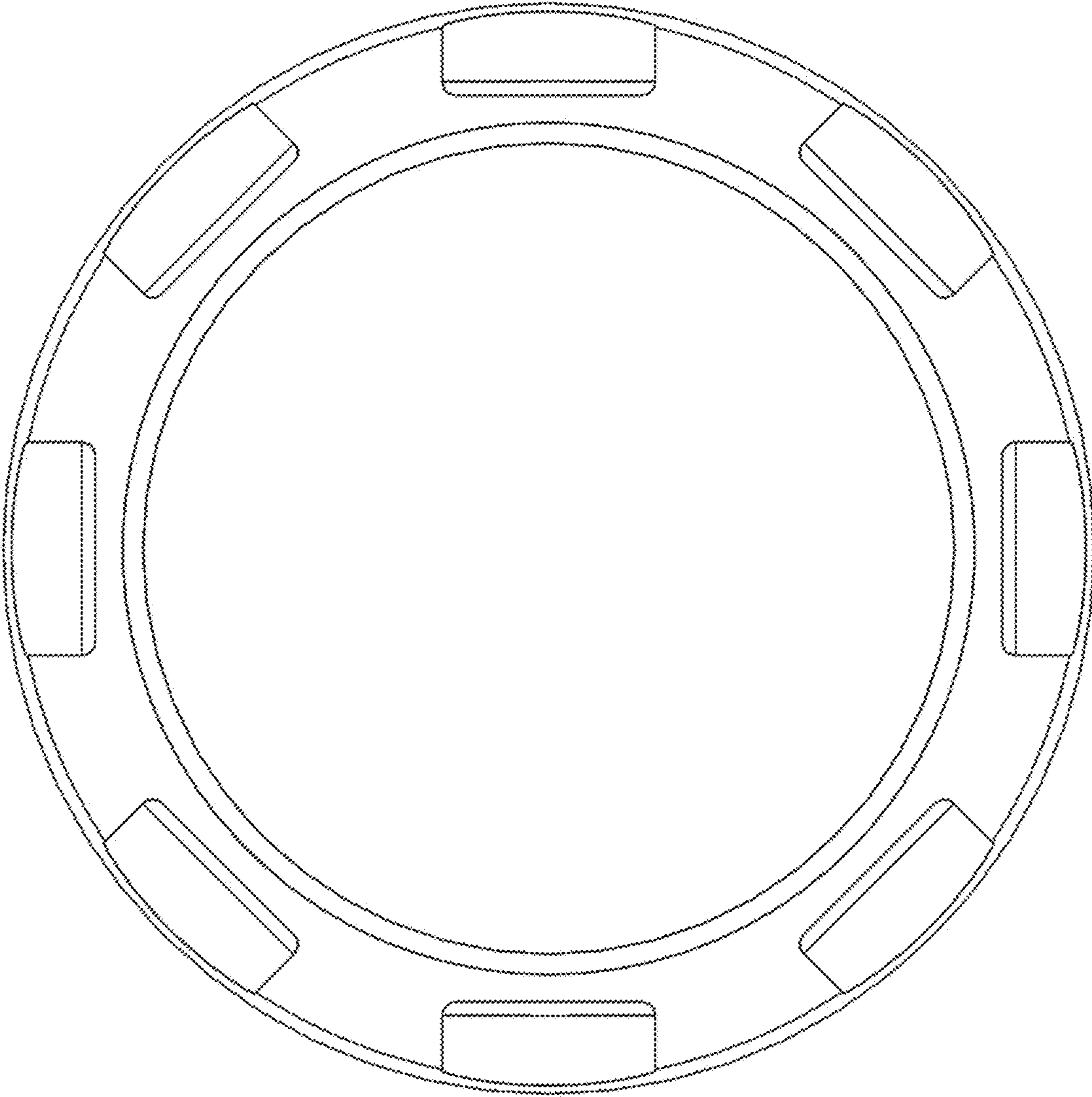


FIG. 5

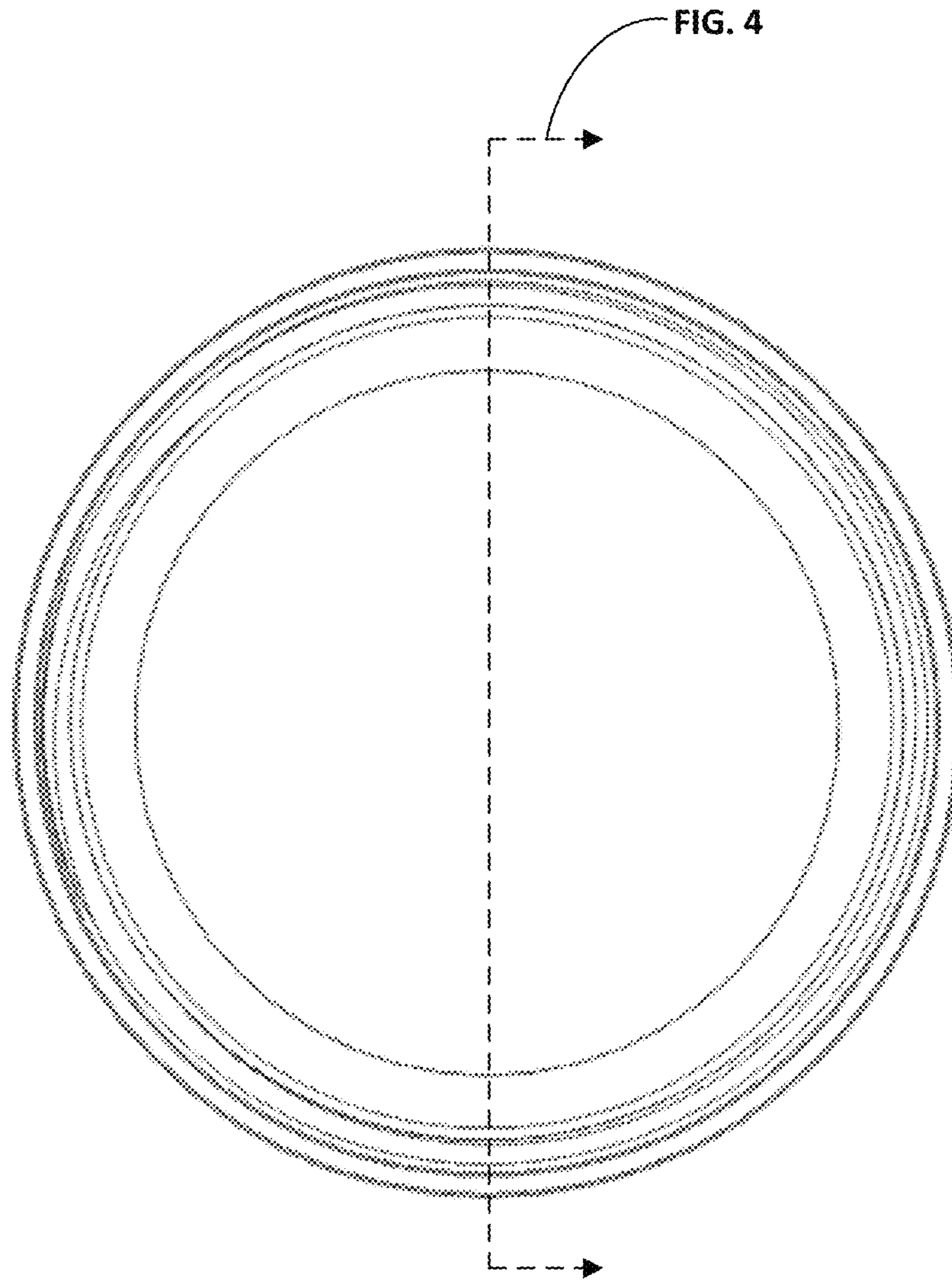


FIG. 6