



US00D890875S

(12) **United States Design Patent**  
**Cornelius et al.**

(10) **Patent No.:** **US D890,875 S**  
(45) **Date of Patent:** **\*\* Jul. 21, 2020**

(54) **PERCUSSION CAP**

(71) Applicant: **RUAG Ammotec GmbH**, Fürth (DE)

(72) Inventors: **Heinz-Peter Cornelius**, Wilhermsdorf (DE); **Tayfun Ertugrul**, Nürnberg (DE)

(73) Assignee: **RUAG Ammotec GmbH**, Furth (DE)

(\*\*) Term: **15 Years**

(21) Appl. No.: **29/654,018**

(22) Filed: **Jun. 20, 2018**

(51) **LOC (12) Cl.** ..... **22-03**

(52) **U.S. Cl.**  
USPC ..... **D22/108**

(58) **Field of Classification Search**  
USPC ..... D22/108, 199; 42/90  
CPC ..... F41C 9/085  
See application file for complete search history.

(56) **References Cited**

**U.S. PATENT DOCUMENTS**

4,186,506	A *	2/1980	Pawlak	.....	F41C 9/08 42/83
4,601,125	A *	7/1986	Curtis	.....	F41C 9/085 42/90
5,806,227	A *	9/1998	Yoder	.....	F41C 9/085 42/90
6,085,454	A *	7/2000	Caudle	.....	F41C 9/085 42/51
9,038,305	B2 *	5/2015	Volfson	.....	F16M 13/02 42/90
2004/0182274	A1 *	9/2004	Bond	.....	F41C 9/085 102/520

**FOREIGN PATENT DOCUMENTS**

EP	1829849	A1 *	9/2007
FR	2682471	A1 *	4/1993

\* cited by examiner

*Primary Examiner* — R. Johnson

(74) *Attorney, Agent, or Firm* — Eversheds Sutherland (US) LLP

(57) **CLAIM**

The ornamental design for a percussion cap, as shown and described.

**DESCRIPTION**

The patent or application file contains at least one drawing executed in color. Copies of this patent or patent application with color drawing(s) will be provided by the U.S. Patent and Trademark Office upon request and payment of the necessary fee.

FIG. 1 is a top perspective view of a percussion cap according to a first embodiment;

FIG. 2 is a front elevation view thereof, the undisclosed rear elevation view, the left-side elevation view, and the right-side elevation view being identical to FIG. 2;

FIG. 3 is a top plan view thereof;

FIG. 4 is a bottom plan view thereof; and

FIG. 5 is a bottom perspective view thereof.

FIG. 6 is a top perspective view of a percussion cap according to a second embodiment;

FIG. 7 is a front elevation view thereof, the undisclosed rear elevation view, the left-side elevation view, and the right-side elevation view being identical to FIG. 7;

FIG. 8 is a top plan view thereof;

FIG. 9 is a bottom plan view thereof; and

FIG. 10 is a bottom perspective view thereof.

FIG. 11 is a top perspective view of a percussion cap according to a third embodiment;

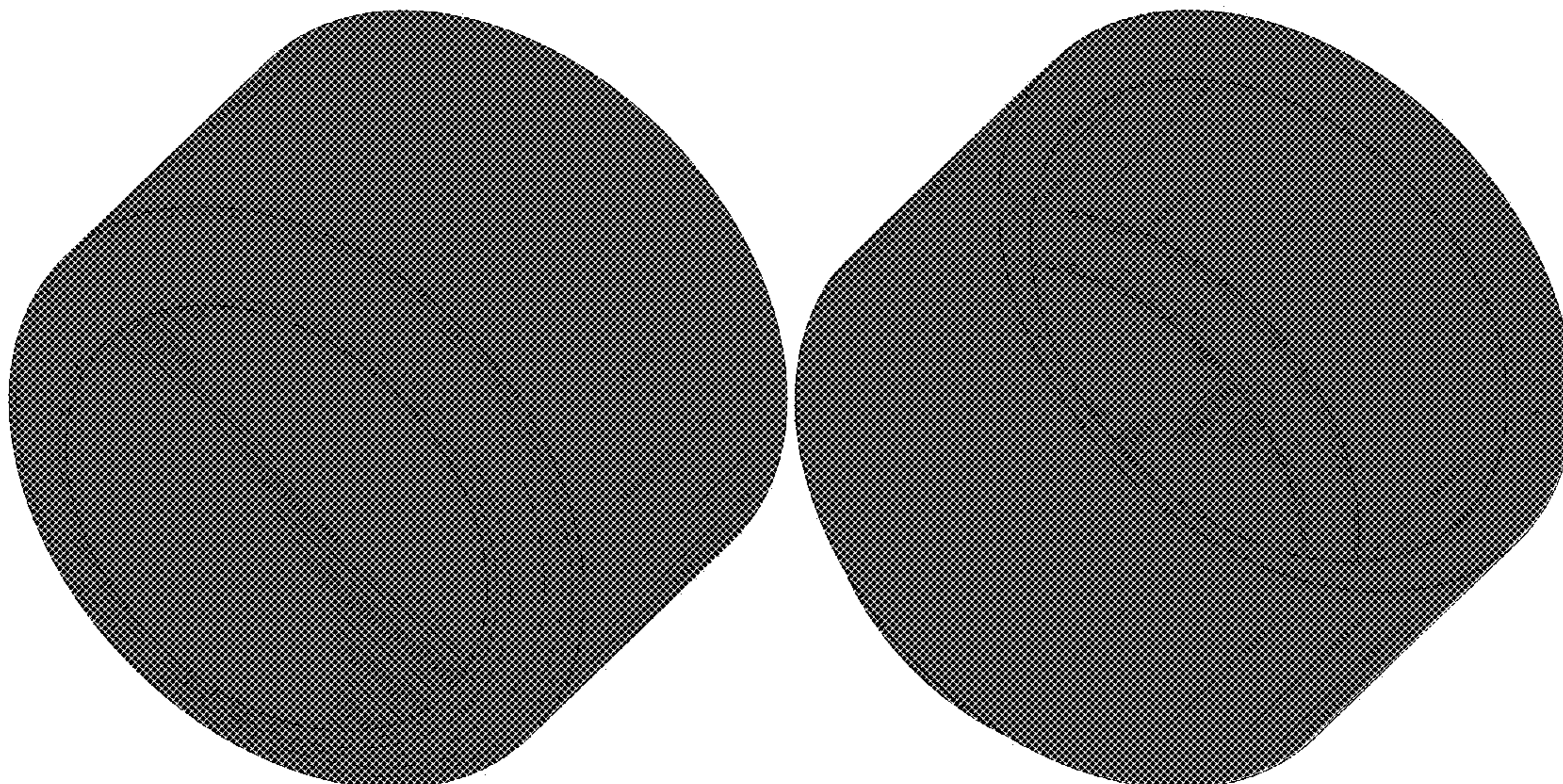
FIG. 12 is a front elevation view thereof, the undisclosed rear elevation view, the left-side elevation view, and the right-side elevation view being identical to FIG. 12;

FIG. 13 is a top plan view thereof;

FIG. 14 is a bottom plan view thereof; and,

FIG. 15 is a bottom perspective view thereof.

**1 Claim, 15 Drawing Sheets**  
**(15 of 15 Drawing Sheet(s) Filed in Color)**



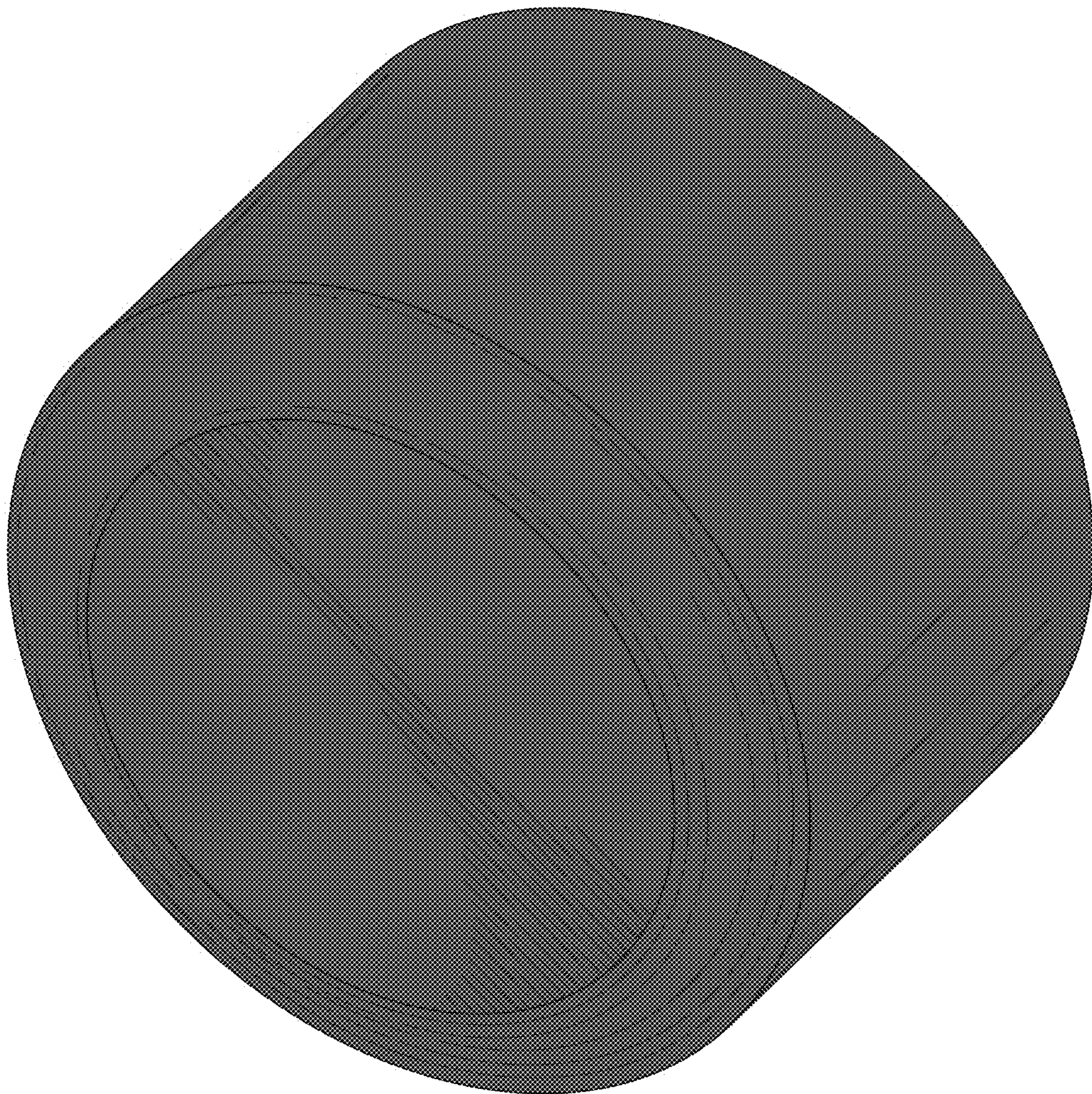


FIG. 1



*FIG. 2*

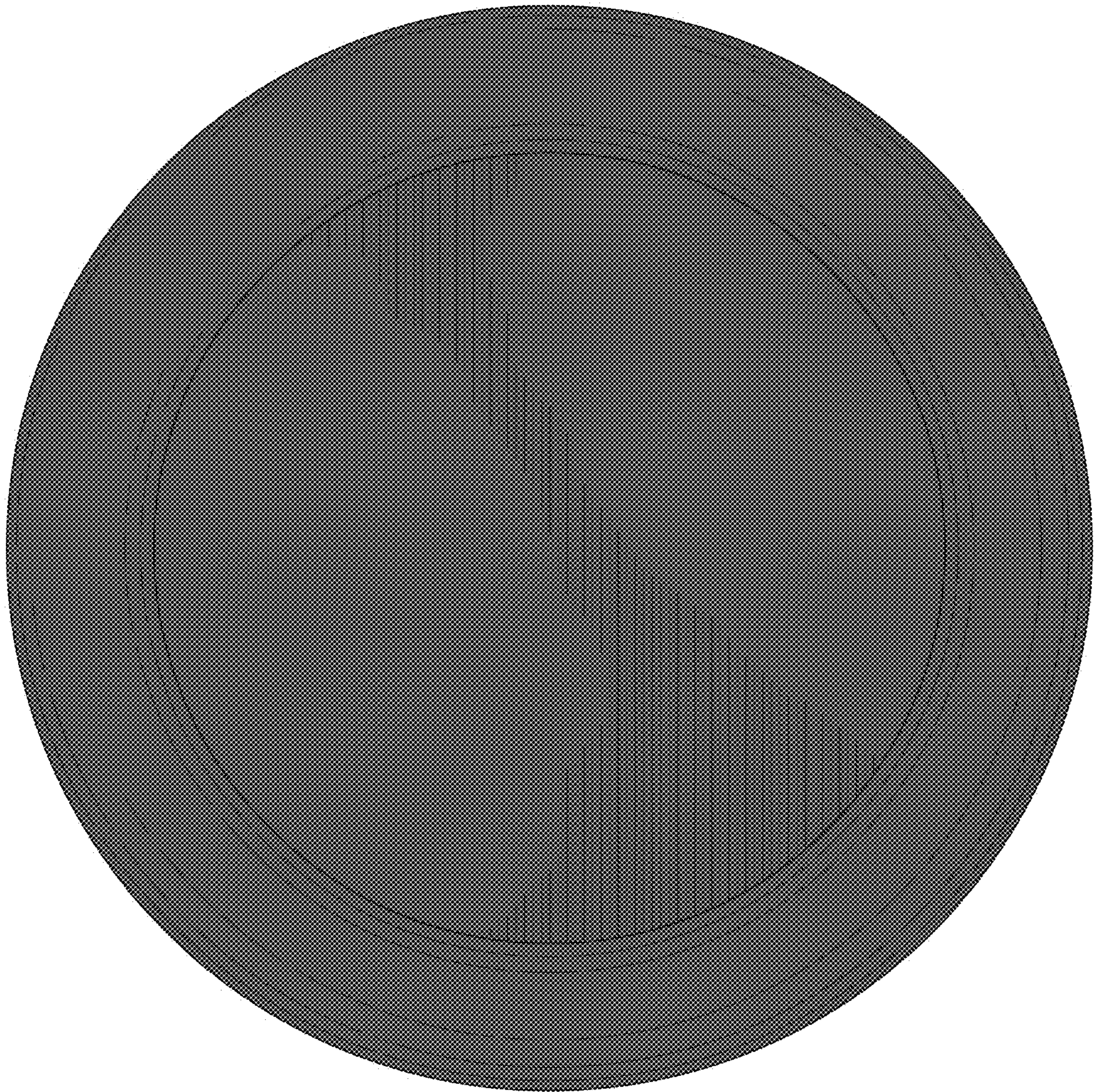


FIG. 3

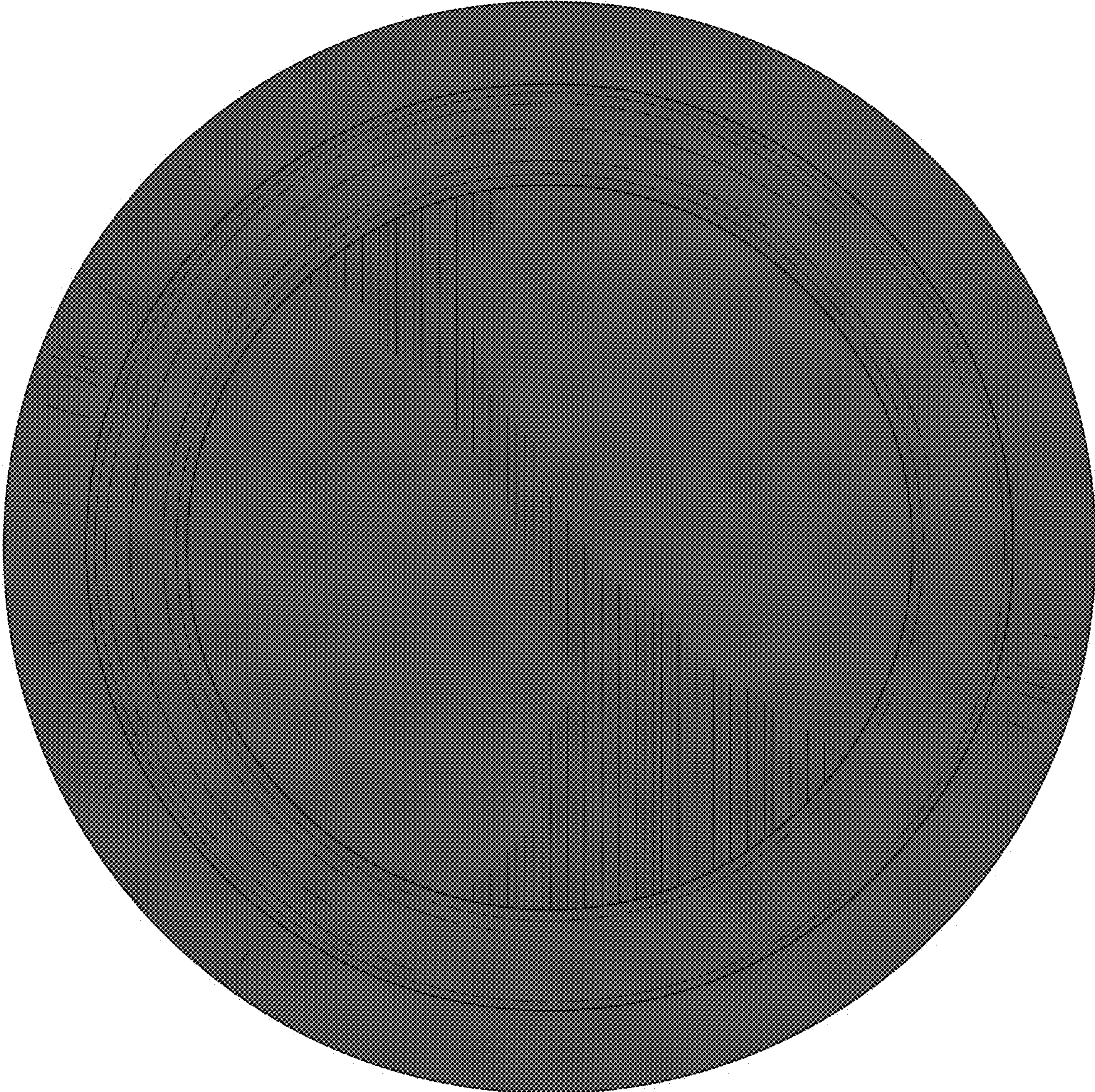


FIG. 4

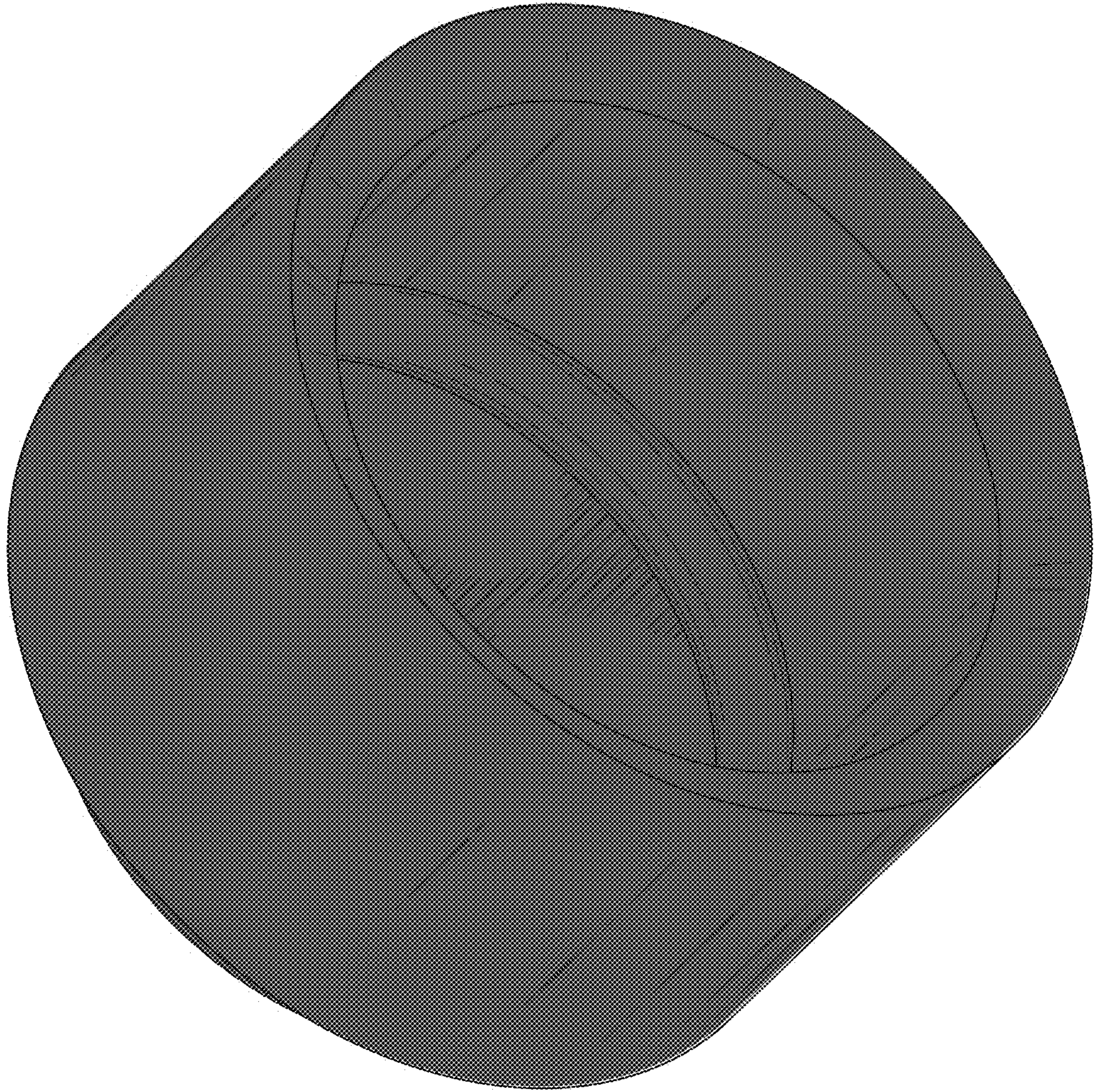


FIG. 5

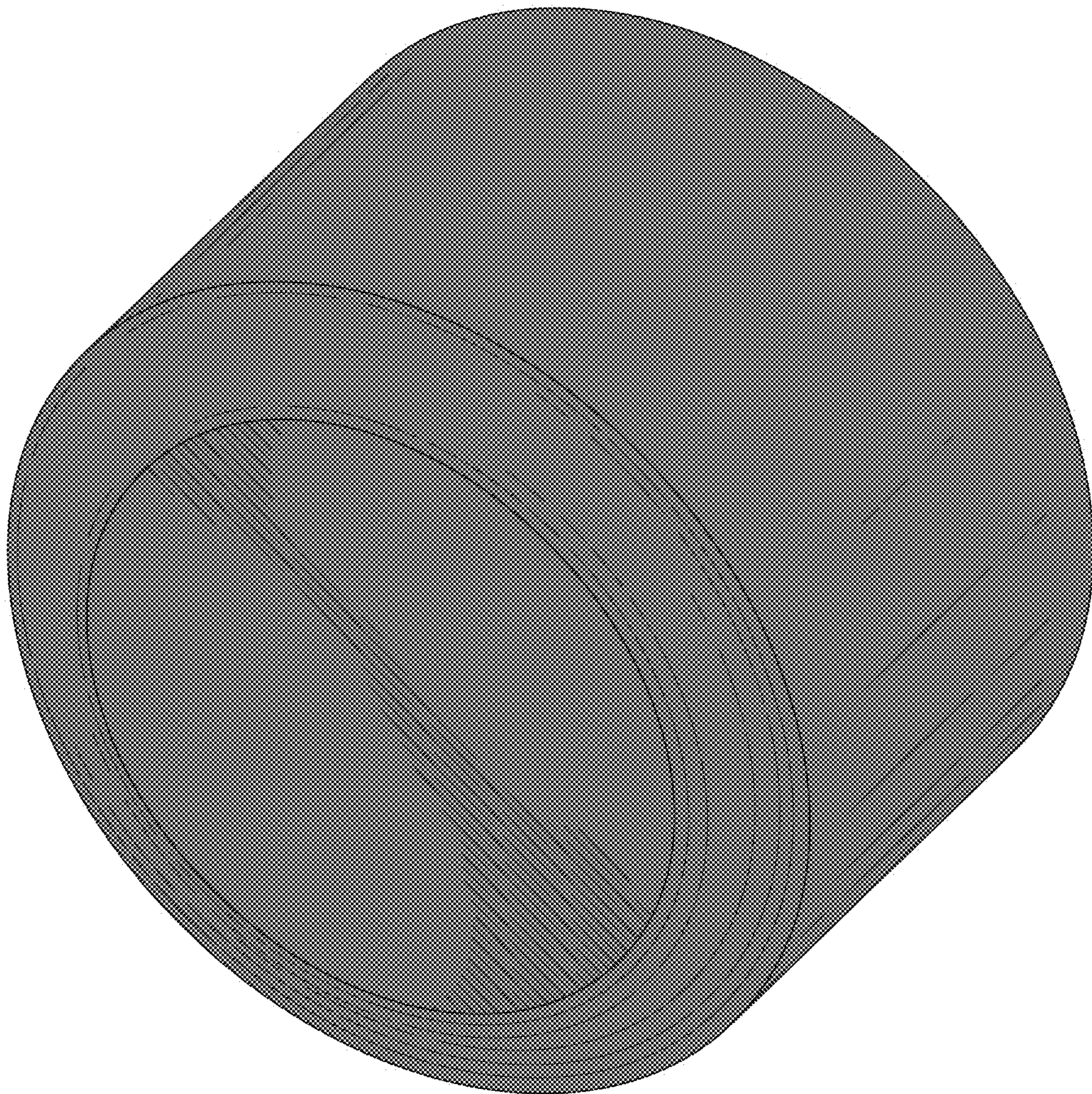
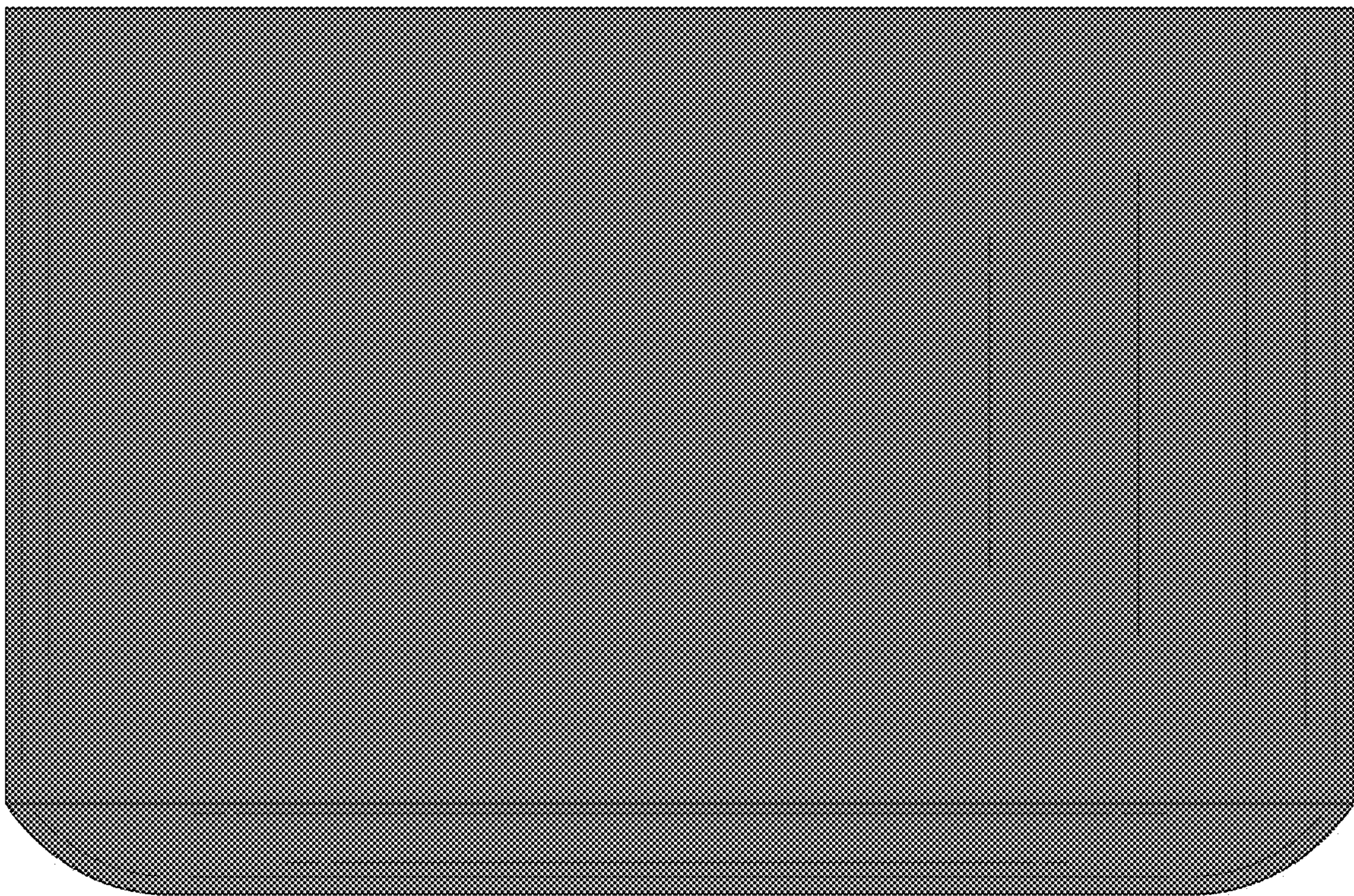


FIG. 6



*FIG. 7*



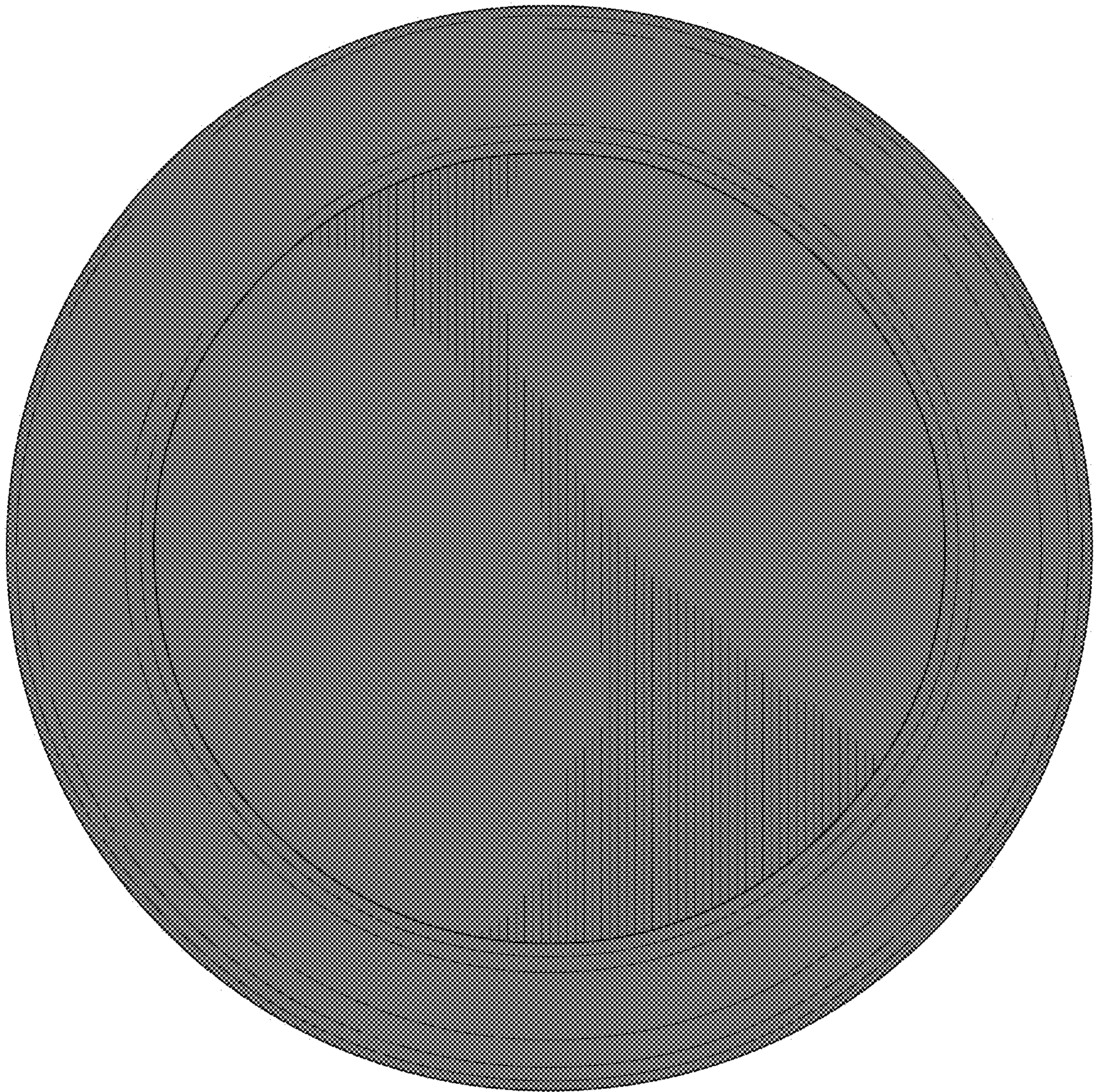


FIG. 8

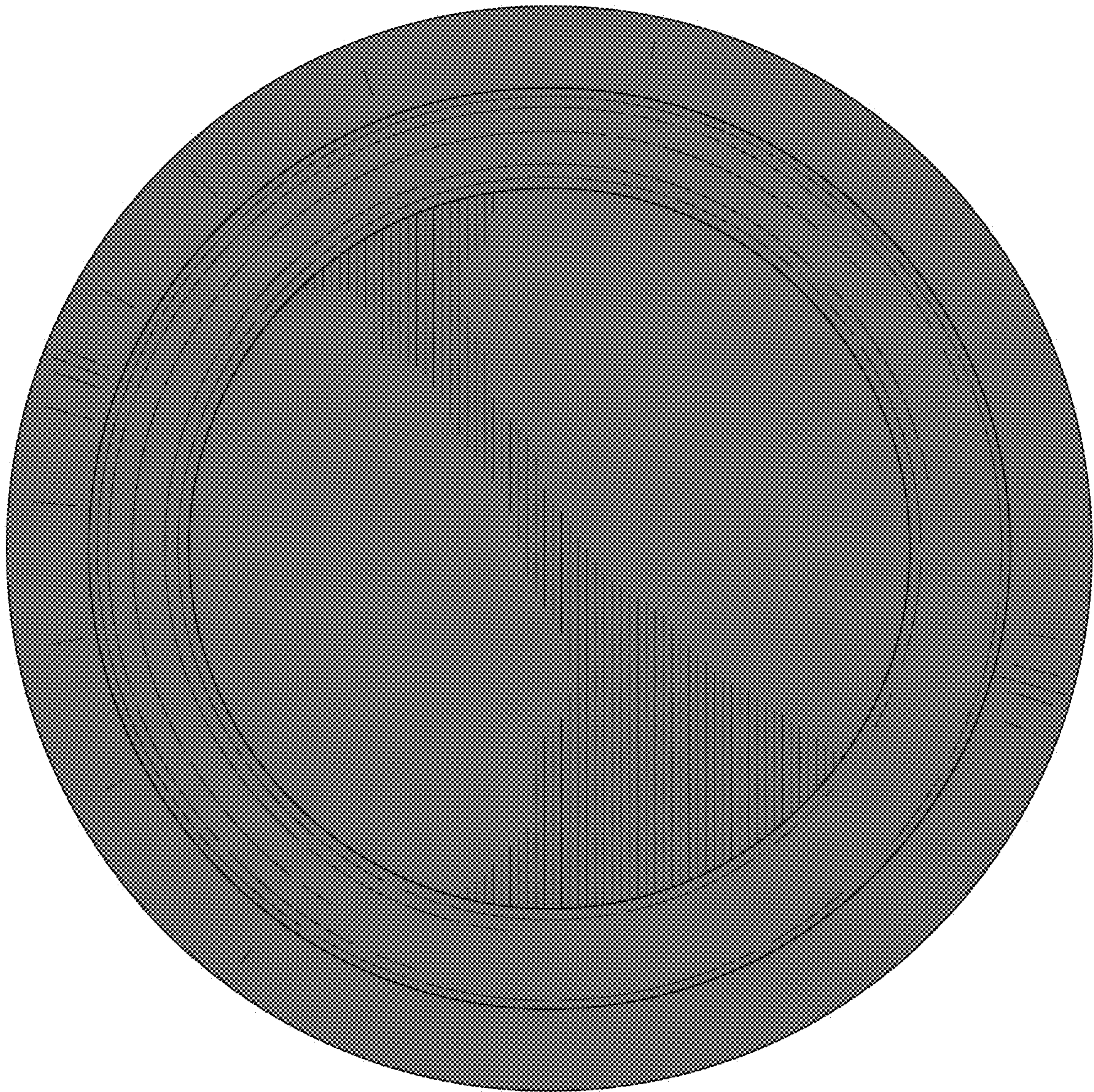


FIG. 9

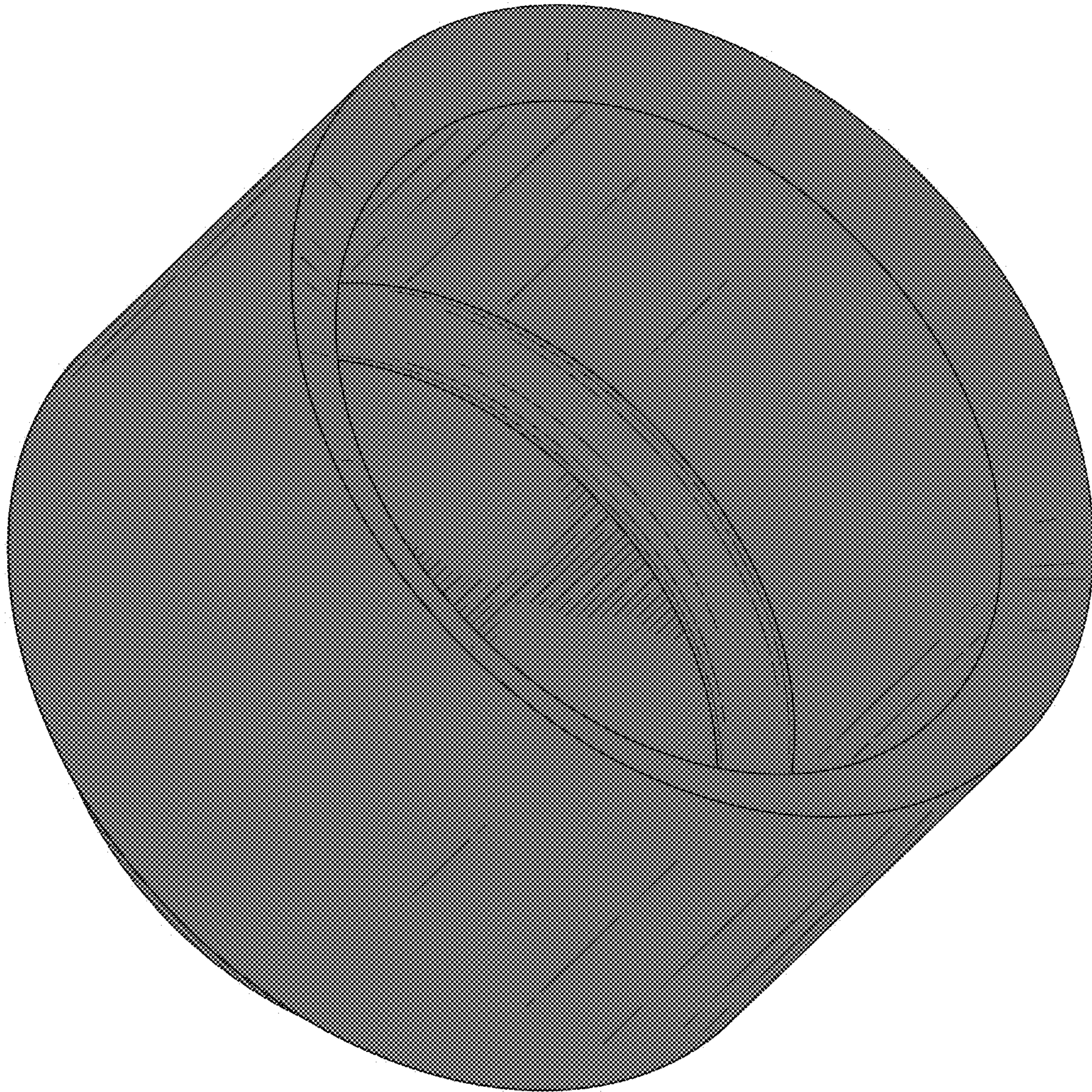
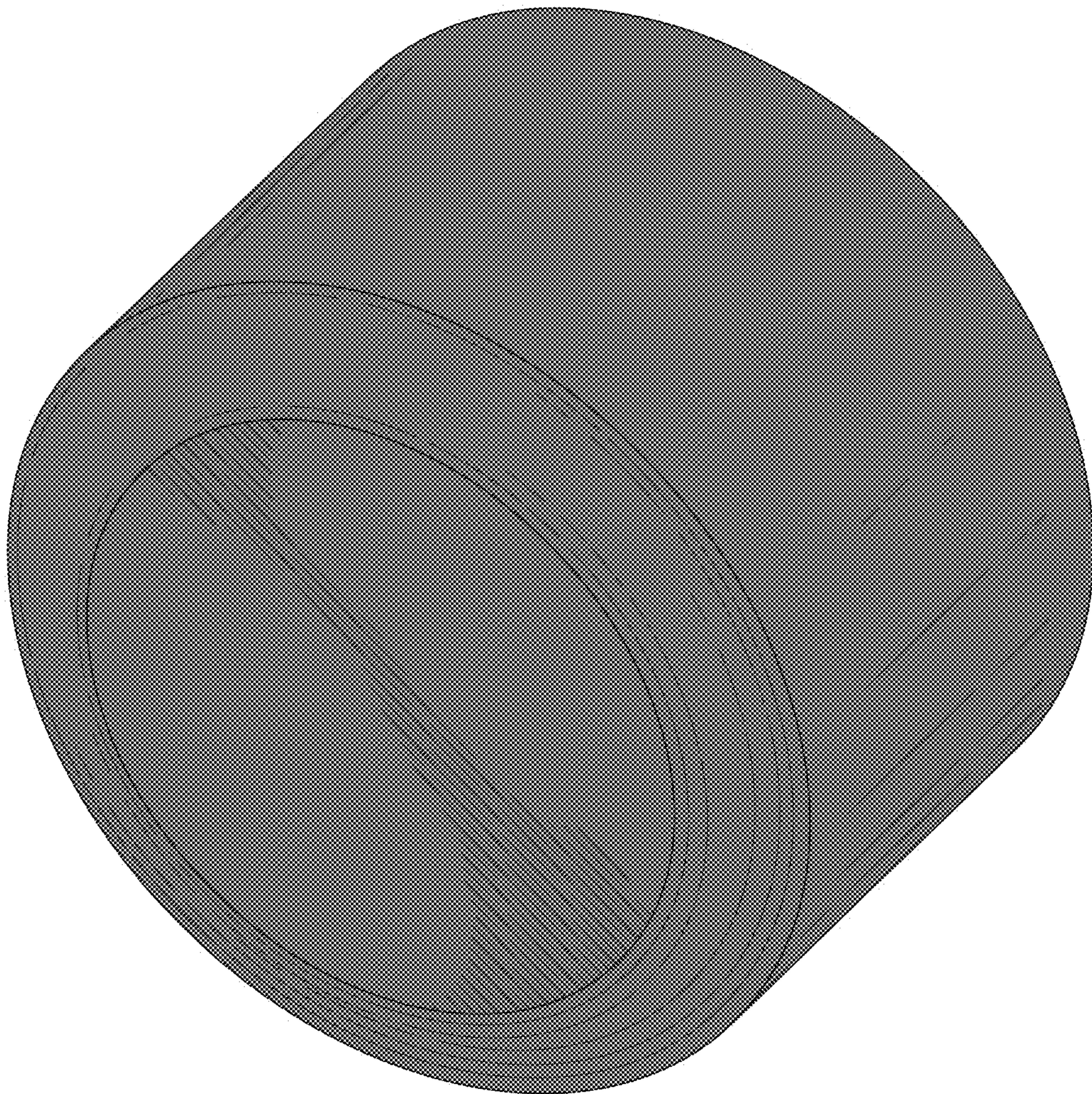


FIG. 10



*FIG. 11*



FIG. 12

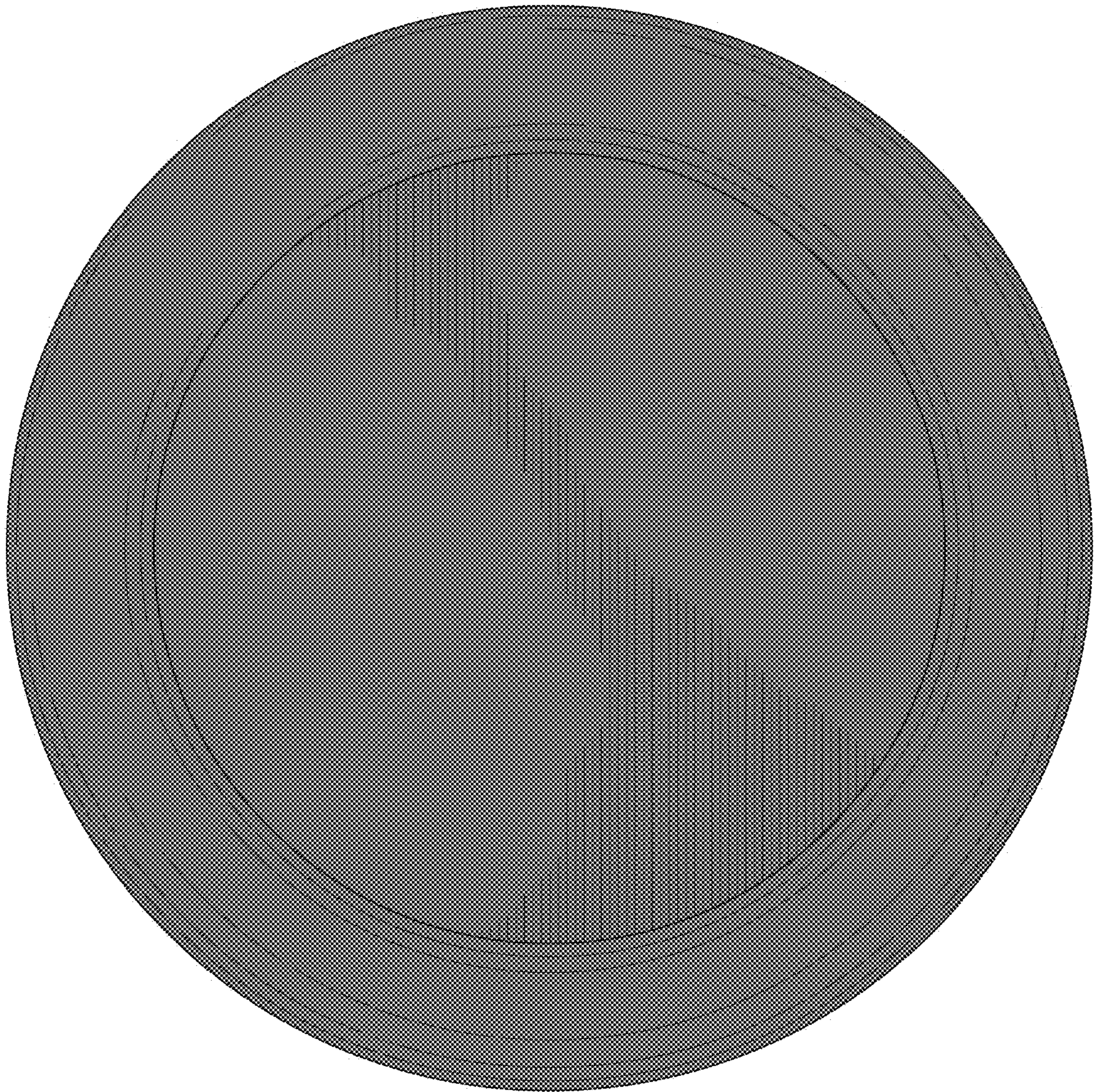


FIG. 13

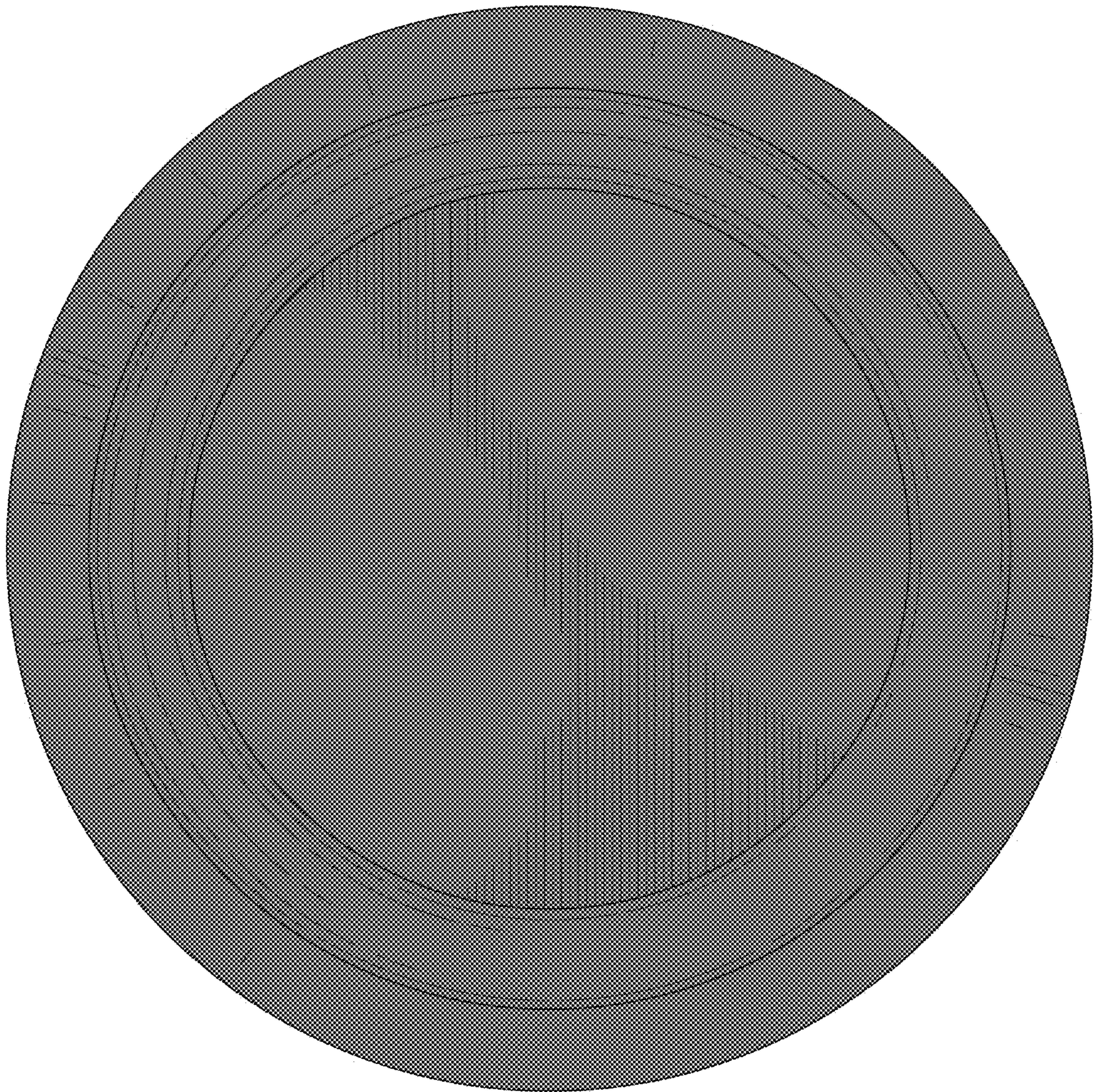
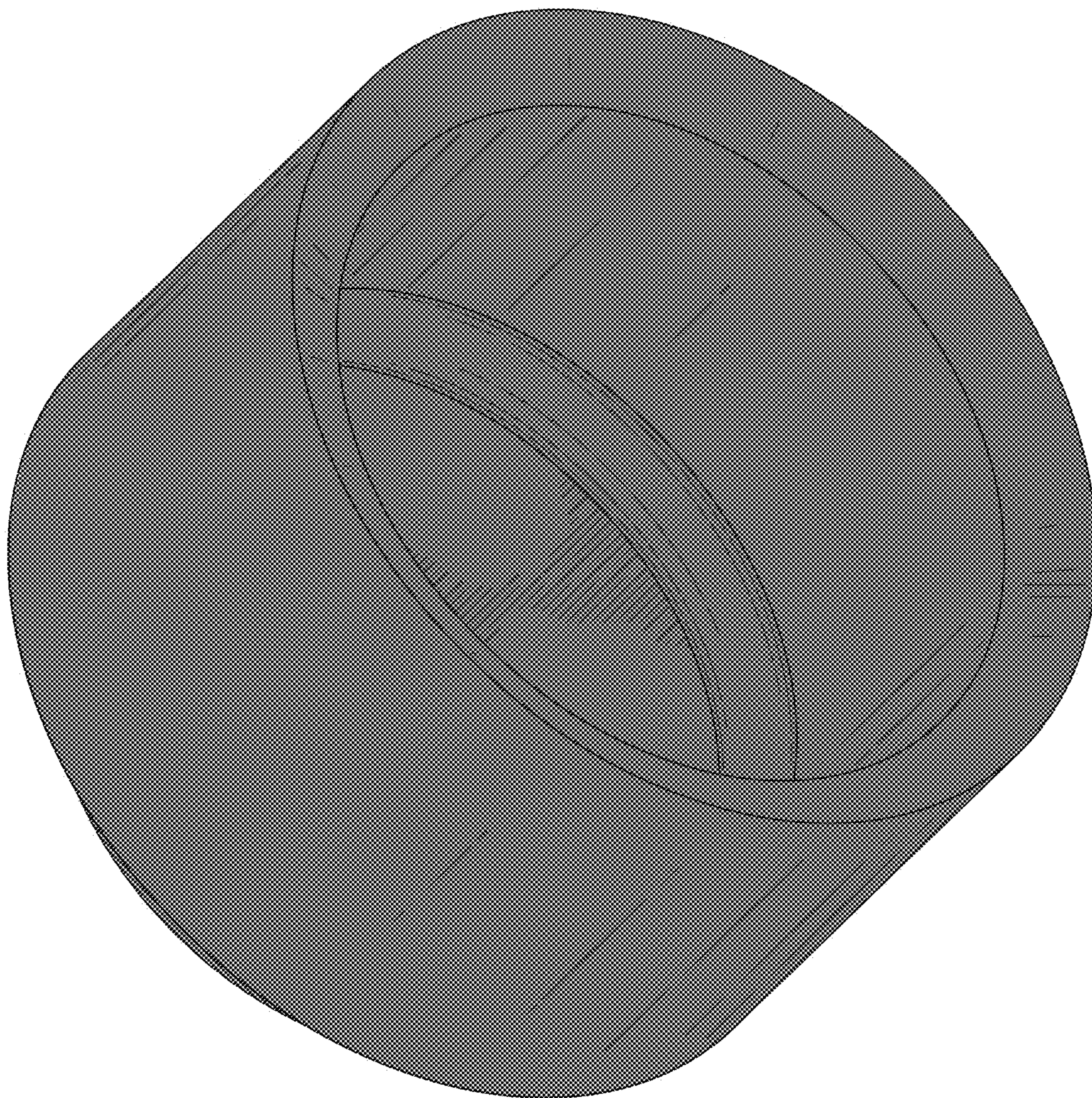


FIG. 14



*FIG. 15*