



US00D890873S

(12) **United States Design Patent** (10) **Patent No.:** **US D890,873 S**
Kenny (45) **Date of Patent:** **** Jul. 21, 2020**

(54) **GOLF REPAIR TOOL**
(71) Applicant: **Michael J. Kenny**, Jupiter, FL (US)
(72) Inventor: **Michael J. Kenny**, Jupiter, FL (US)
(**) Term: **15 Years**
(21) Appl. No.: **29/676,980**
(22) Filed: **Jan. 16, 2019**
(51) **LOC (12) Cl.** **21-02**
(52) **U.S. Cl.**
USPC **D21/793**
(58) **Field of Classification Search**
USPC D21/789, 793, 794
CPC A63B 57/00; A63B 57/50; A63B 57/12;
A63B 57/16; A63B 57/20; A63B 57/30;
A63B 57/35
See application file for complete search history.

D415,236 S * 10/1999 Schleh D21/793
D442,249 S 5/2001 Fazekas
D499,784 S * 12/2004 Calvani D21/793
D553,922 S * 10/2007 Fujino D8/14
D567,319 S 4/2008 Beard
D571,428 S 6/2008 Williams
D633,161 S * 2/2011 Ringl D21/793
D633,586 S * 3/2011 Ringl D21/793
D633,587 S * 3/2011 Ringl D21/793
D633,973 S * 3/2011 Ringl D21/793
D633,974 S * 3/2011 Ringl D21/793
D772,998 S 11/2016 Ranjan et al.
D792,541 S 7/2017 Beard
2004/0142773 A1 7/2004 Kennedy

* cited by examiner

Primary Examiner — Mitchell I. Siegel
(74) *Attorney, Agent, or Firm* — Cramer Patent & Design, PLLC; Aaron R. Cramer

(57) **CLAIM**

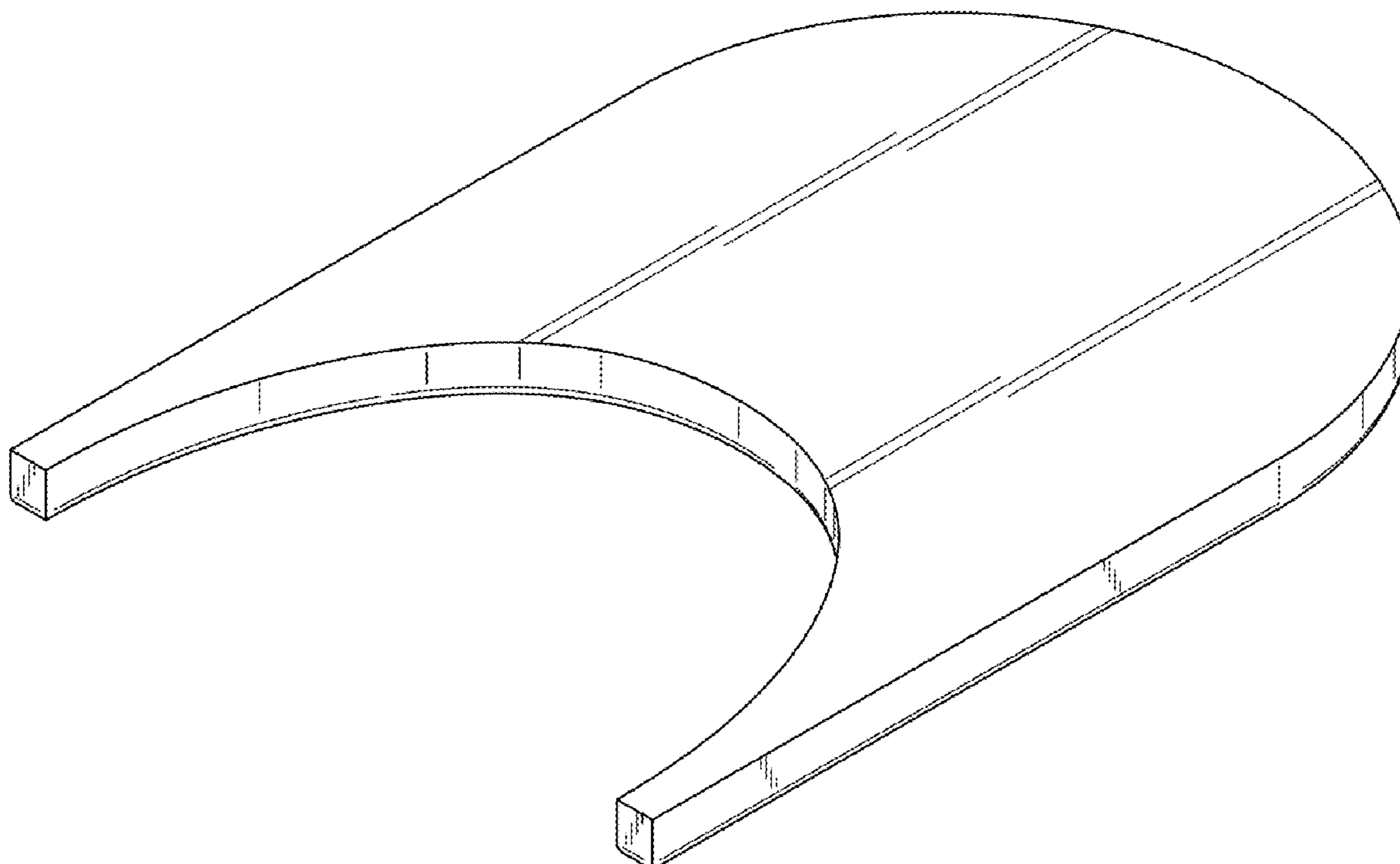
The ornamental design for a golf repair tool, as shown and described.

DESCRIPTION

FIG. 1 is a perspective top front right view of a golf repair tool, showing my new design;
FIG. 2 is a perspective top rear left view thereof;
FIG. 3 is a front elevation view thereof;
FIG. 4 is a rear elevation view thereof;
FIG. 5 is a right elevation view thereof;
FIG. 6 is a left elevation view thereof;
FIG. 7 is a top plan view thereof; and,
FIG. 8 is a bottom plan view thereof.

1 Claim, 6 Drawing Sheets

(56) **References Cited**
U.S. PATENT DOCUMENTS
D197,342 S * 1/1964 Doble D8/9
D246,989 S * 1/1978 Higgins D21/793
D321,544 S * 11/1991 Axne D21/793
D340,755 S * 10/1993 Shearer D21/793
5,295,683 A 3/1994 Tate
5,419,551 A * 5/1995 Hoyt A63B 57/00
473/406
D384,719 S * 10/1997 Fazekas D21/793
5,733,208 A * 3/1998 Fazekas A63B 57/00
473/406
D394,692 S * 5/1998 Edwards D21/793
D403,389 S * 12/1998 Kim D21/793



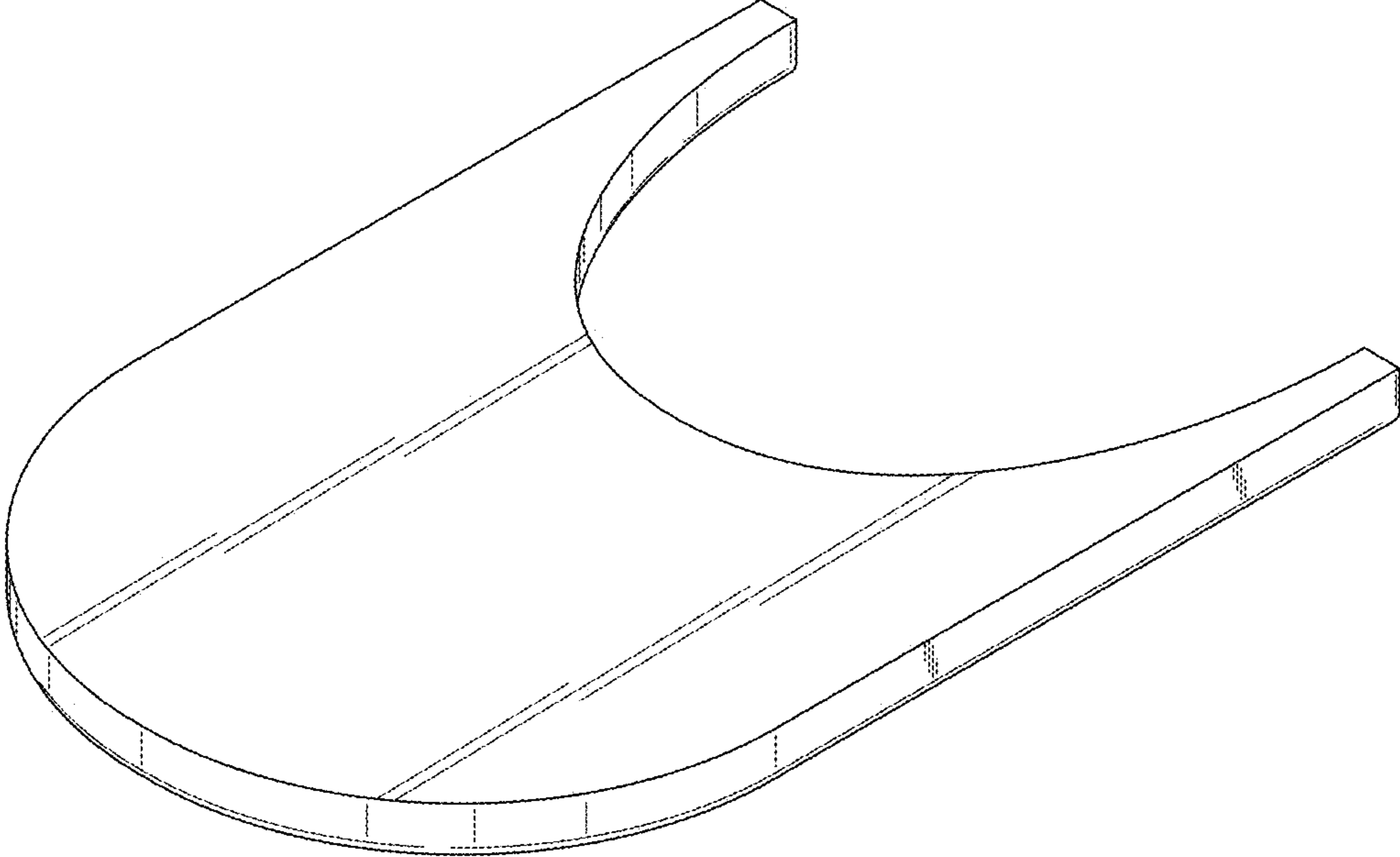


FIG. 1

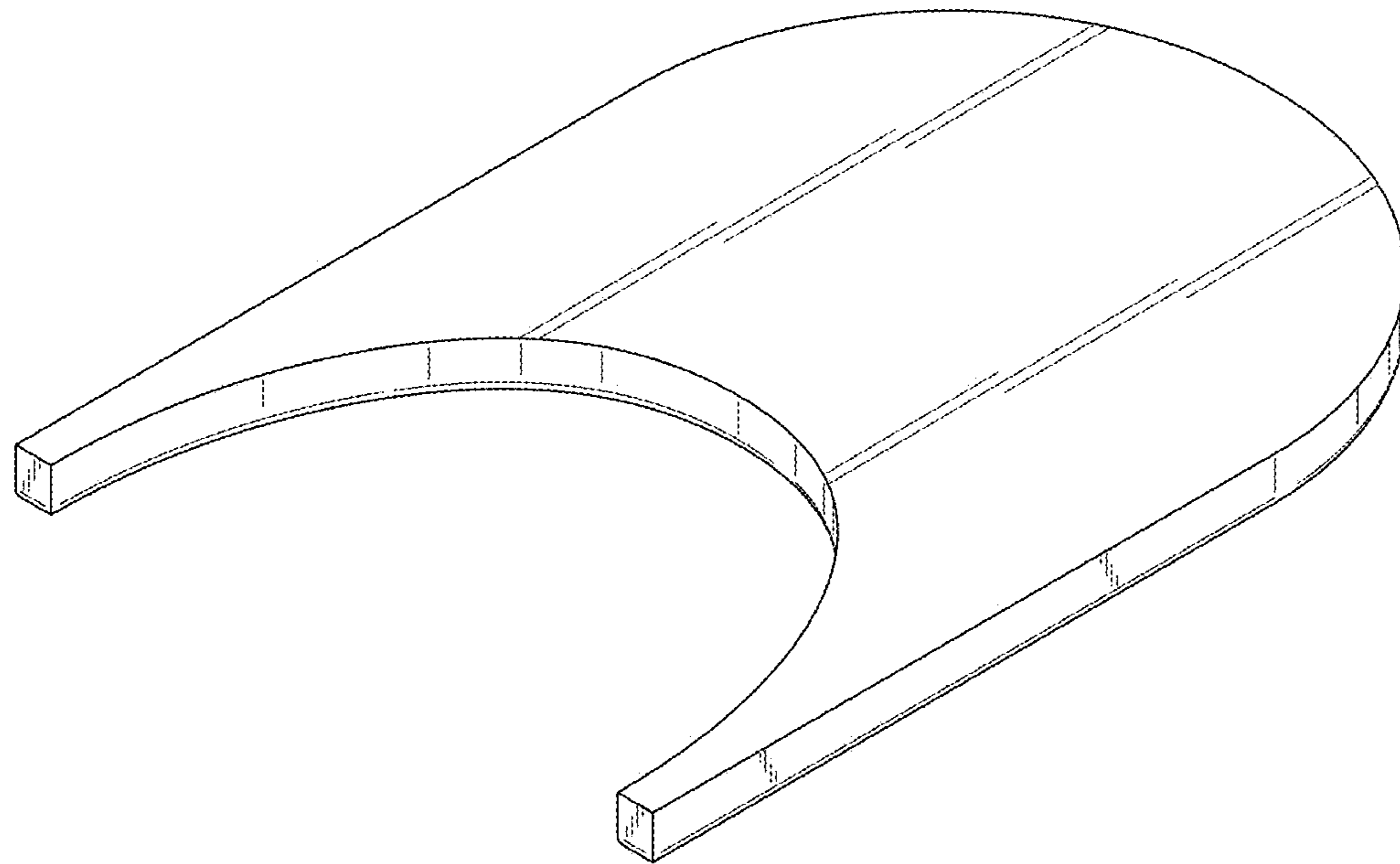


FIG. 2

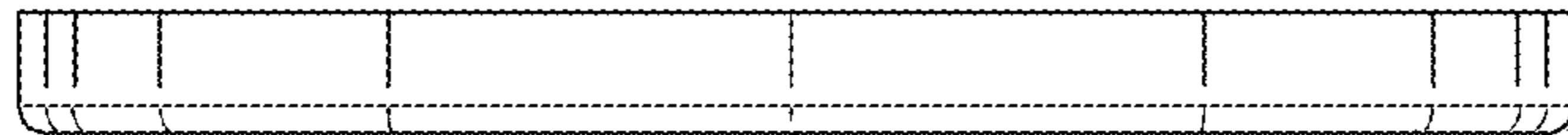


FIG. 3



FIG. 4



FIG. 5



FIG. 6

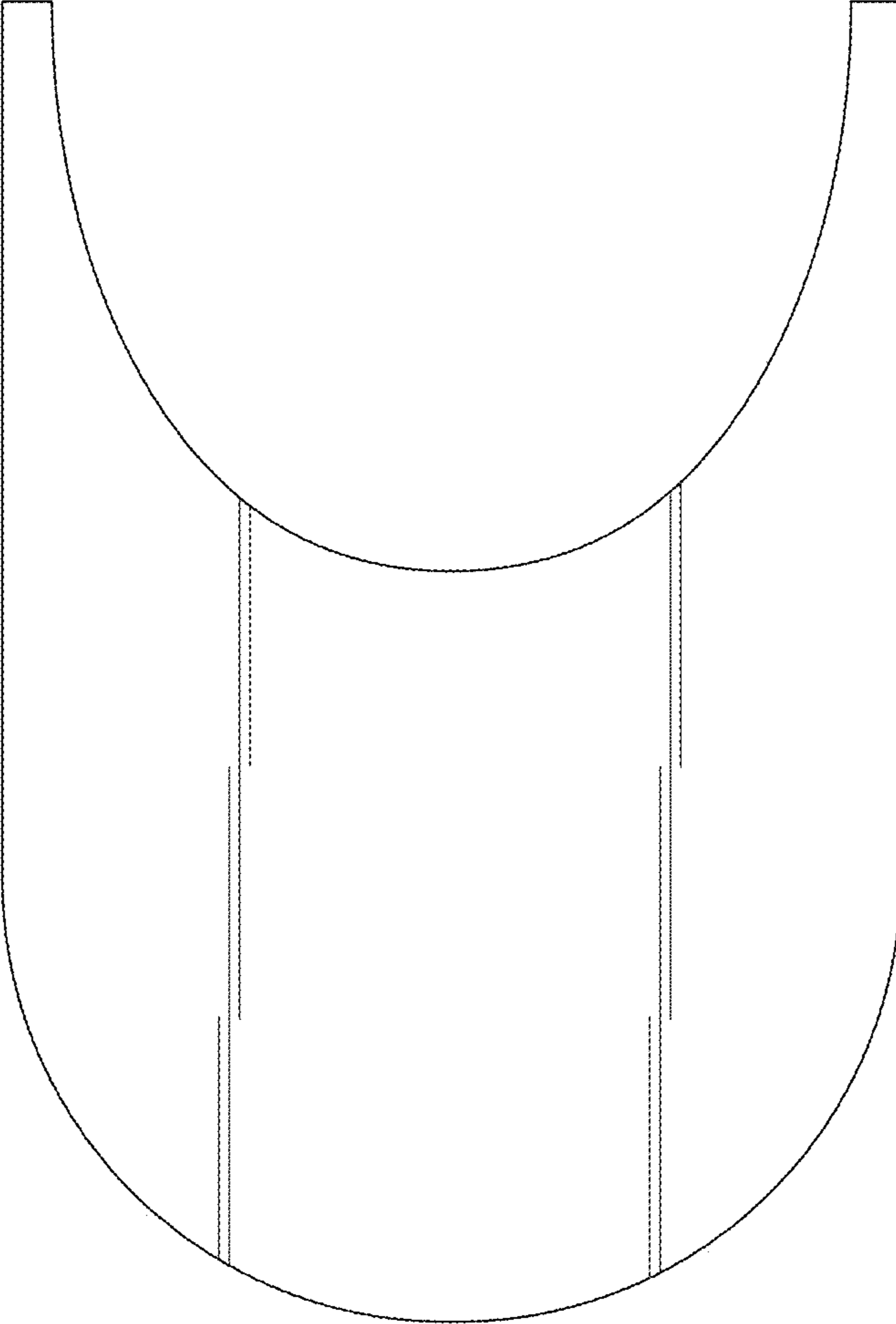


FIG. 7

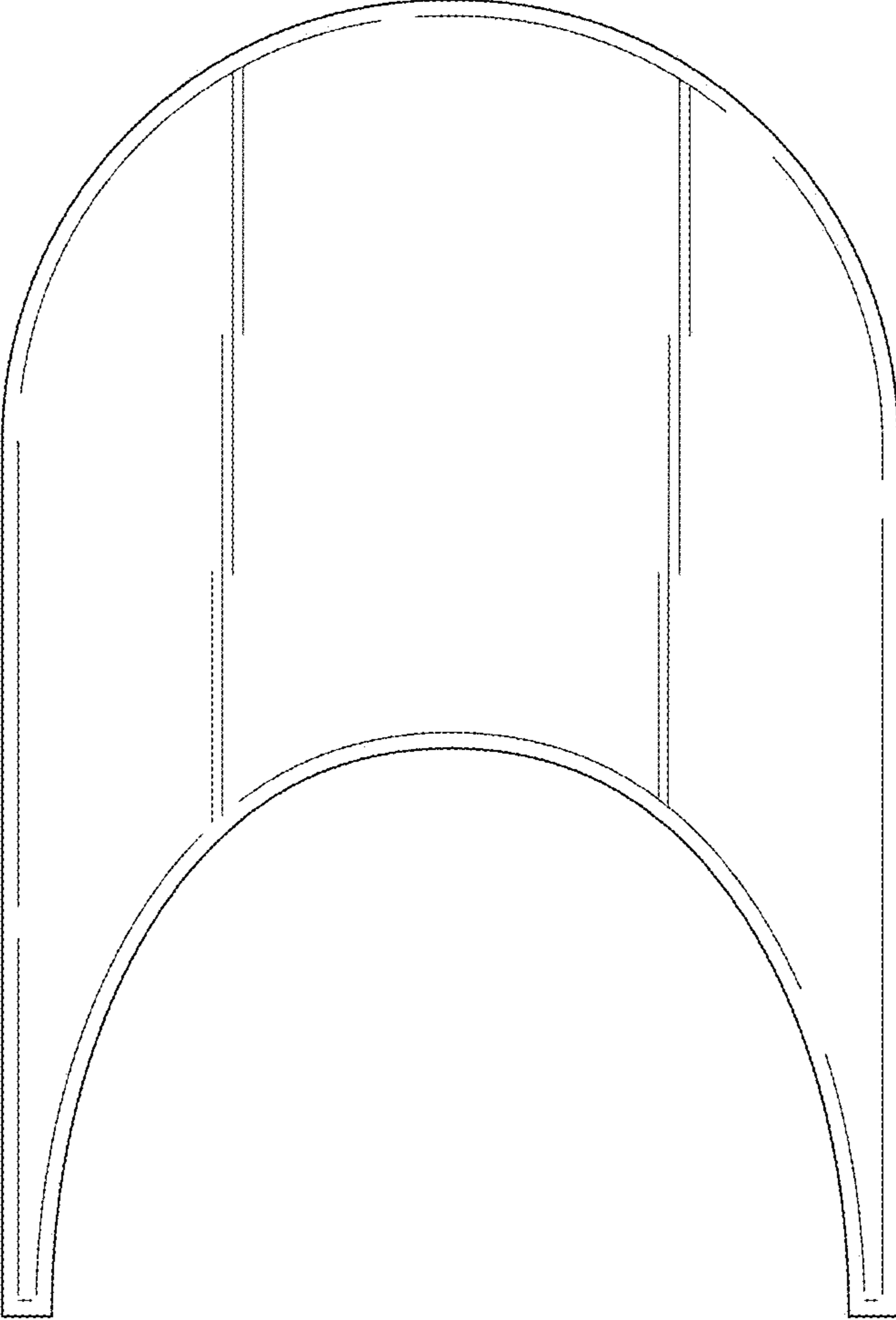


FIG. 8