



US00D890870S

(12) **United States Design Patent** (10) **Patent No.:** **US D890,870 S**
Jones et al. (45) **Date of Patent:** **** Jul. 21, 2020**

(54) **FAN BLADE**

(56) **References Cited**

(71) Applicant: **Coulter Ventures, LLC.**, Columbus, OH (US)
(72) Inventors: **Dylan Jones**, Santa Barbara, CA (US); **Matt Dubberley**, Santa Barbara, CA (US); **Patrick Burgess**, Cullowhee, NC (US)
(73) Assignee: **Coulter Ventures, LLC.**, Columbus, OH (US)
(**) Term: **15 Years**

U.S. PATENT DOCUMENTS

4,188,030 A 2/1980 Hooper
D272,182 S 1/1984 Fowler et al.
4,712,789 A 12/1987 Brilando
4,712,790 A 12/1987 Szymiski
4,824,102 A 4/1989 Lo
4,880,225 A 11/1989 Lucas et al.
D306,330 S 2/1990 Lucas et al.
D307,167 S 4/1990 Lucas et al.
D307,614 S 5/1990 Bingham et al.
D307,615 S 5/1990 Bingham et al.
(Continued)

(21) Appl. No.: **29/723,654**
(22) Filed: **Feb. 10, 2020**

OTHER PUBLICATIONS

Rogue Echo Bike product advertisement from <https://www.youtube.com/watch?v=9xfUu652CMg>, dated Dec. 26, 2017.
(Continued)

Related U.S. Application Data

(63) Continuation of application No. 29/701,244, filed on Aug. 9, 2019, now Pat. No. Des. 878,500, which is a continuation of application No. 29/658,643, filed on Aug. 1, 2018, now Pat. No. Des. 861,809.

Primary Examiner — Ryan Harvey
(74) *Attorney, Agent, or Firm* — Banner & Witcoff, Ltd.

(51) **LOC (12) Cl.** **21-02**

(57) **CLAIM**

The ornamental design for a fan blade, as shown and described.

(52) **U.S. Cl.**

USPC **D21/697**; D23/413

DESCRIPTION

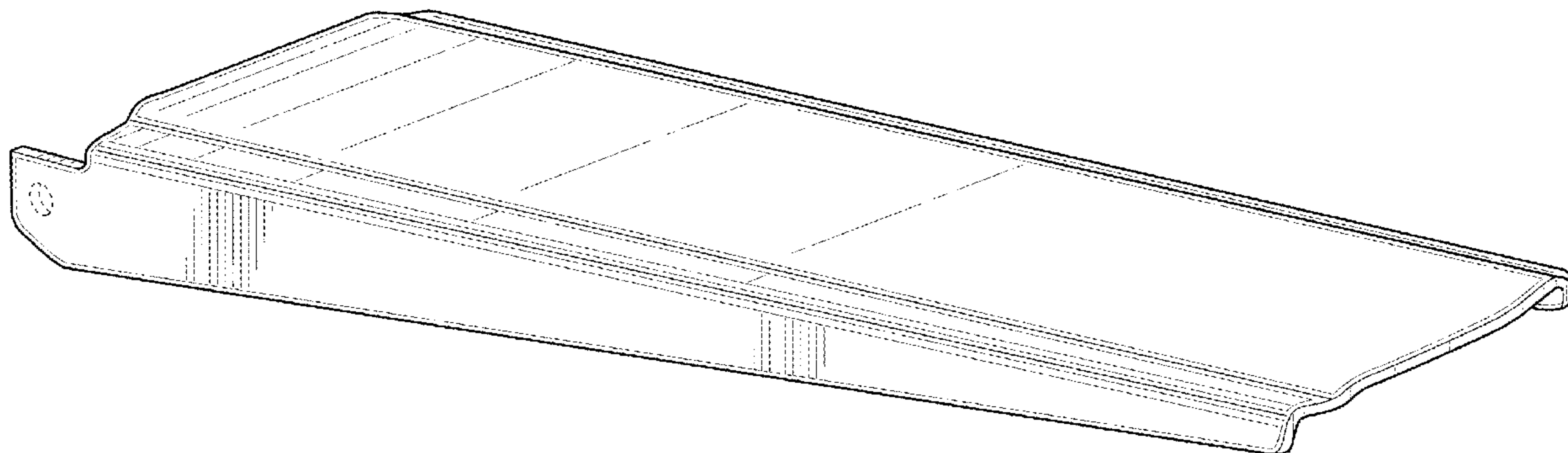
(58) **Field of Classification Search**

USPC D21/663, 667, 666, 697, 694, 665, 668, D21/664, 690, 676, 670; 482/57, 62, 482/111, 139, 145, 60, 51, 123, 72, 61, 482/58, 9, 59, 80; 74/502.4, 502.6, 74/594.2, 594.1, 48; D12/178, 411, 345, D12/211, 209, 205; D23/382, 381, 378, D23/412, 411, 413, 377; D13/115; D15/7, 138, 5
CPC ... A63B 22/0605; A63B 21/225; A63B 69/16; A63B 21/015; A63B 2225/09; A63B 2022/0652

FIG. 1 is a top, front, right perspective view of a fan blade showing my new design;
FIG. 2 is a right side view thereof;
FIG. 3 is a left side view thereof;
FIG. 4 is a top view thereof;
FIG. 5 is a bottom view thereof;
FIG. 6 is a front view thereof; and,
FIG. 7 is a rear view thereof.
The broken lines depicting the remainder of the fan blade of FIGS. 1-7 show features that form no part of the claimed design.

See application file for complete search history.

1 Claim, 7 Drawing Sheets



(56)

References Cited

U.S. PATENT DOCUMENTS

4,932,649 A 6/1990 Chen
 4,961,569 A 10/1990 Roberge
 4,961,570 A 10/1990 Chang
 4,962,925 A 10/1990 Chang
 4,971,316 A 11/1990 Dalebout et al.
 4,981,294 A 1/1991 Dalebout et al.
 5,000,444 A 3/1991 Dalebout et al.
 D319,274 S 8/1991 Byrd et al.
 D319,480 S 8/1991 Byrd et al.
 D319,675 S 9/1991 Byrd et al.
 5,048,824 A 9/1991 Chen
 5,149,312 A 9/1992 Croft et al.
 D330,236 S 10/1992 Jarriel et al.
 D333,868 S 3/1993 Yaung
 RE34,478 E 12/1993 Dalebout et al.
 D344,583 S 2/1994 Hsu
 5,290,212 A 3/1994 Metcalf
 5,346,445 A 9/1994 Chang
 5,397,286 A 3/1995 Chang
 5,443,434 A 8/1995 Buchanan et al.
 5,795,270 A 8/1998 Woods et al.
 D418,218 S 12/1999 Hsu
 6,159,132 A 12/2000 Chang
 6,220,991 B1 4/2001 Sellers
 D459,796 S 7/2002 Moreno
 D488,861 S 4/2004 Moreno
 D503,472 S 3/2005 Tai
 D503,474 S 3/2005 Tai
 D516,208 S * 2/2006 Tai D23/413
 D645,134 S * 9/2011 Lee D23/411
 D654,134 S 2/2012 Edge et al.
 D699,305 S 2/2014 Rauwerdink
 D699,795 S 2/2014 Rauwerdink
 D699,796 S 2/2014 Flick et al.
 D700,668 S 3/2014 Flick et al.
 D756,500 S * 5/2016 Rasmussen D23/379
 D767,049 S 9/2016 Flick et al.
 D767,050 S 9/2016 Flick et al.
 D767,051 S 9/2016 Flick et al.
 D781,385 S 3/2017 Flick et al.
 D806,223 S * 12/2017 Allard D23/370
 9,889,336 B1 2/2018 Chen
 D834,174 S 11/2018 Fuselier

D850,603 S * 6/2019 Wang D23/377
 D856,445 S 8/2019 Jones
 D861,809 S 10/2019 Jones et al.
 D870,829 S * 12/2019 Jones D21/697
 D873,405 S * 1/2020 McRoberts D23/377
 2007/0179025 A1 8/2007 Tsai
 2012/0065029 A1 3/2012 Dunlap
 2017/0274238 A1 9/2017 Chou
 2018/0064982 A1 3/2018 Chen
 2018/0256932 A1 9/2018 Hsu
 2018/0326257 A1 11/2018 Jones et al.

OTHER PUBLICATIONS

Rogue Echo Bike product advertisement from <https://www.instagram.com/p/BdLU50LI7u/?hl=en>, dated Dec. 26, 2017.
 Rogue Echo Bike product listing from <https://www.roguefitness.com/rogue-echo-bike>, dated Sep. 13, 2018.
 Schwinn Airdyne Pro product advertisement from https://www.youtube.com/watch?v=c4t_XRTzwPk, dated Nov. 17, 2015.
 Schwinn Airdyne Pro product listing from <https://www.roguefitness.com/schwinn-airdyne-pro>, dated Sep. 13, 2018.
 Schwinn Airdyne AD6 product listing from https://www.schwinnfitness.com/ad6/100250.html?adID=SDOSG2SSL4&gclid=EAlalQobChMI2JjUhOa43QIVyh-GCh1j5wPmEAAYAiAAEgJJ7fD_BwE&gclidsrc=aw.ds&psearch=1, dated Sep. 13, 2018.
 Concept2 BikeERG product advertisement from <https://www.youtube.com/watch?v=nci9fnKhJMgg>, dated Sep. 1, 2017.
 Concept2 BikeERG product listing from <https://www.concept2.com/bikeerg/concept2-bikeerg>, dated Sep. 13, 2018.
 Concept2 BikeERG product listing from <https://www.roguefitness.com/concept2-bike-erg>, dated Sep. 13, 2018.
 Assault Airbike product listing from <https://www.roguefitness.com/assault-airbike-and-accessories>, dated Sep. 13, 2018.
 Assault Airbike product photos from <https://www.assaultfitness.com/products/airbike-classic>, dated Sep. 13, 2018.
 Assault Airbike product advertisement from <https://www.youtube.com/watch?v=uvgwUrD8W6w>, dated Feb. 9, 2015.
 Assault Airbike Elite product advertisement from <https://www.youtube.com/watch?v=YdSAtaj5xWw>, dated Nov. 21, 2017.
 Assault Airbike Elite product photos from <https://www.assaultfitness.com/products/airbike-elite>, dated Sep. 13, 2018.

* cited by examiner

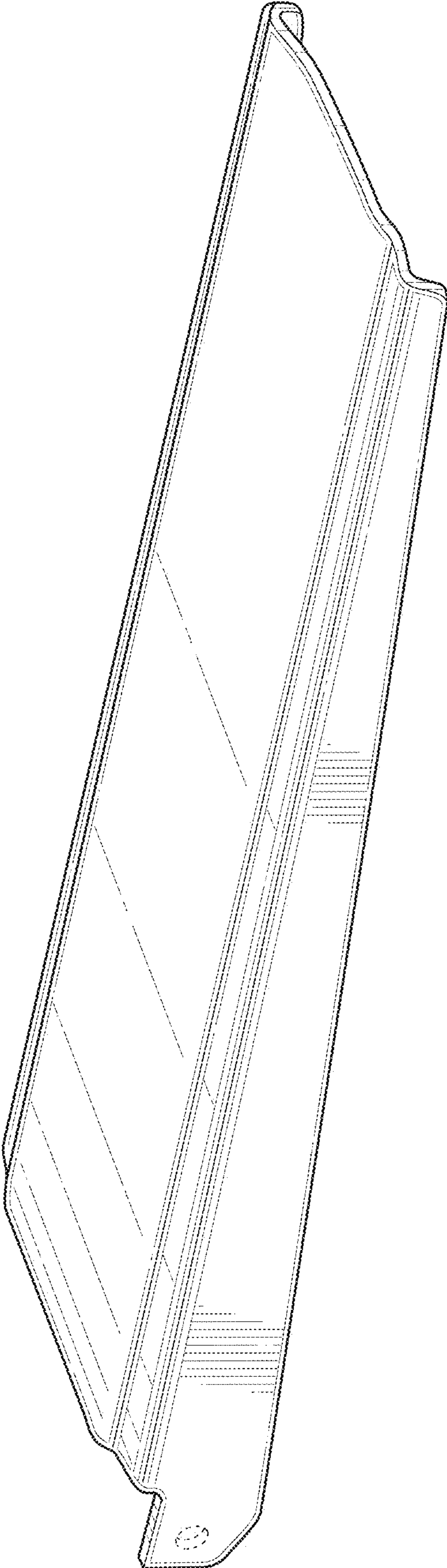


FIG. 1

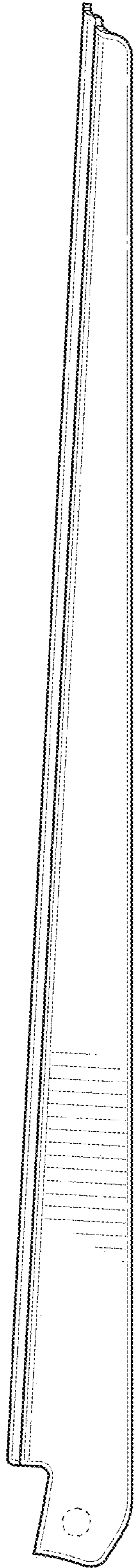


FIG. 2

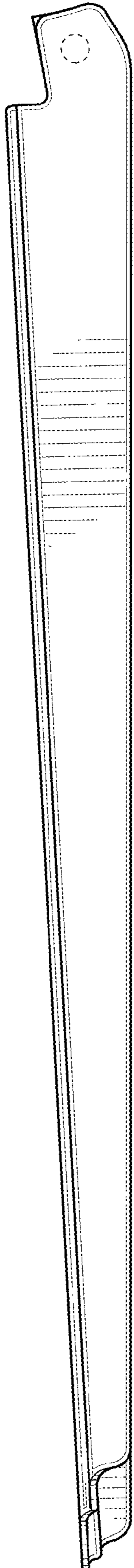


FIG. 3

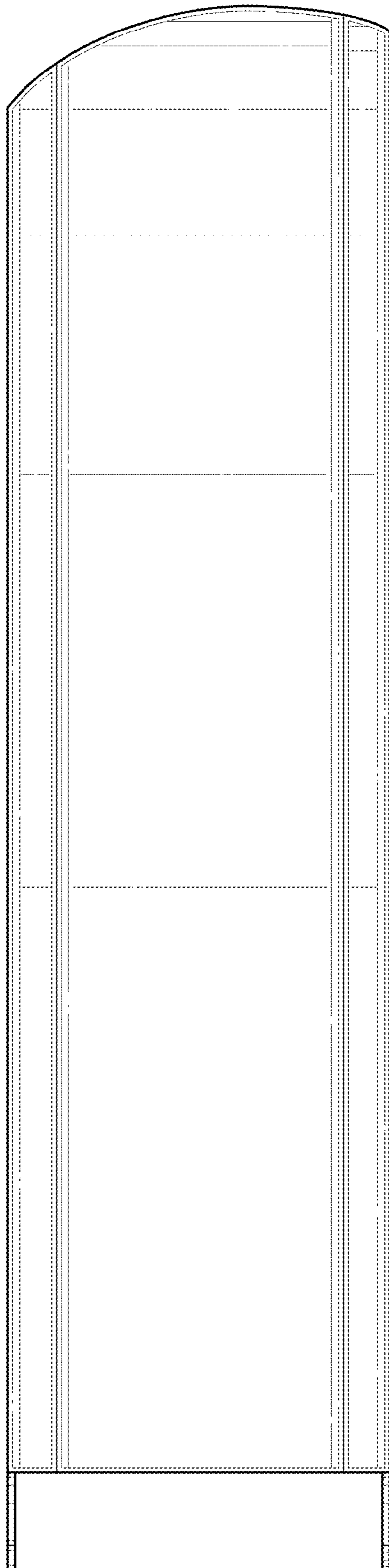


FIG. 4

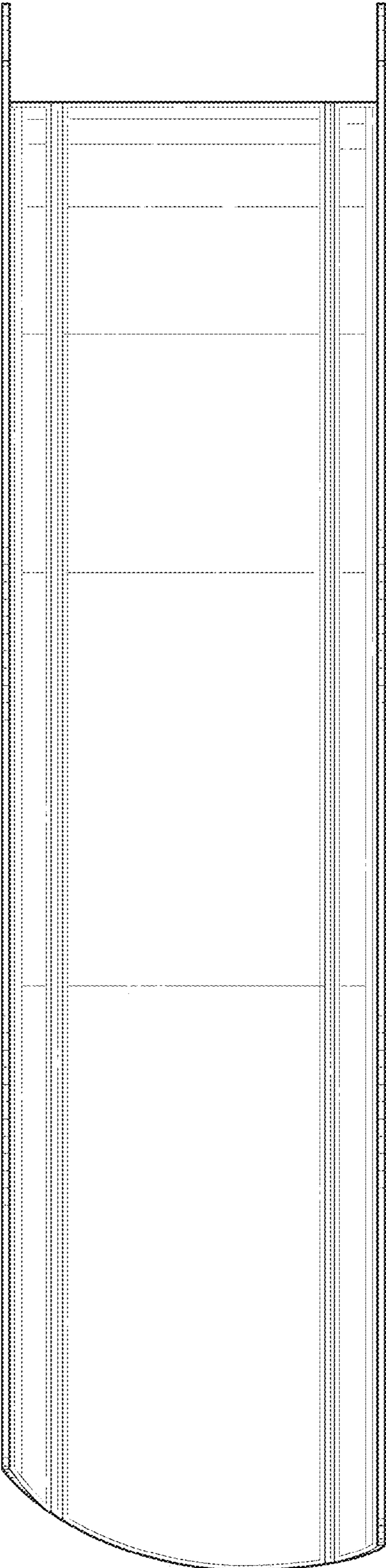


FIG. 5

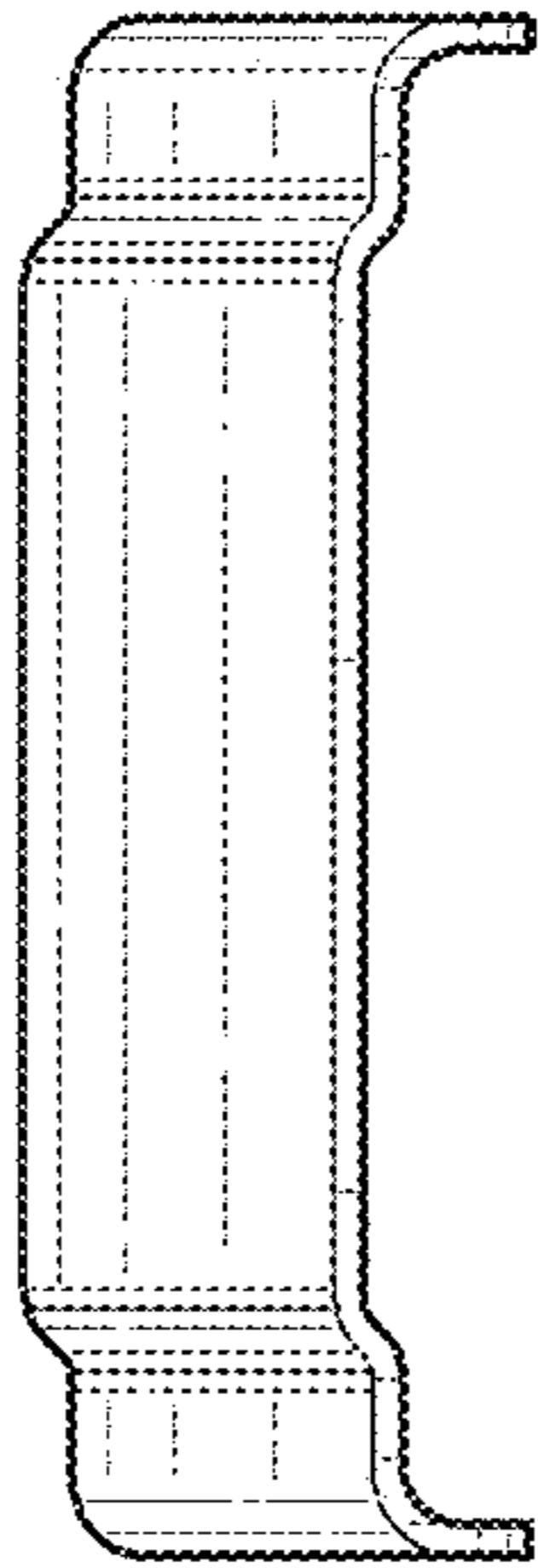


FIG. 6

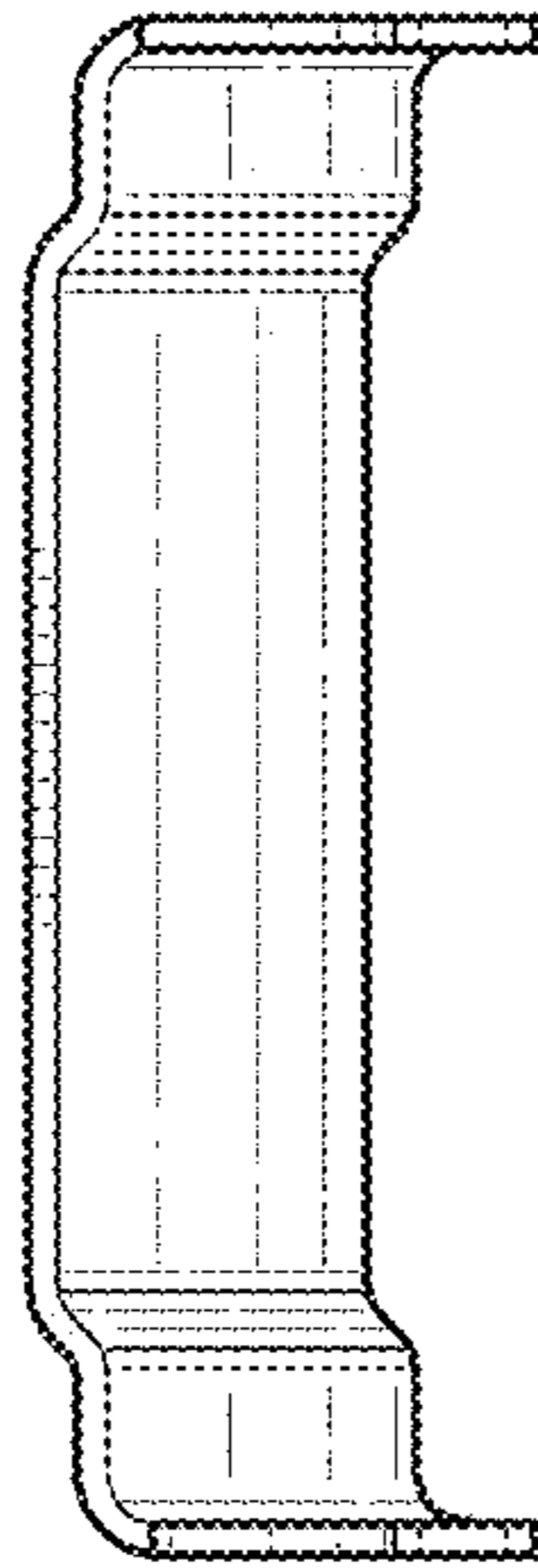


FIG. 7