



US00D890869S

(12) **United States Design Patent** (10) **Patent No.:** **US D890,869 S**
Jones (45) **Date of Patent:** **** Jul. 21, 2020**

(54) **PLYOMETRIC BOX**
(71) Applicant: **Coulter Ventures, LLC**, Columbus, OH (US)
(72) Inventor: **Dylan Jones**, Santa Barbara, CA (US)
(73) Assignee: **Coulter Ventures, LLC.**, Columbus, OH (US)

D370,949 S * 6/1996 Furner D21/671
5,855,536 A * 1/1999 Wilkinson A47C 12/02
297/423.41
D449,357 S * 10/2001 Monter Villar D21/671
D449,662 S * 10/2001 Monter Villar D21/671
D460,566 S * 7/2002 Henschel D25/65
D566,856 S * 4/2008 Eveleth A47B 3/08
D25/65
D579,680 S * 11/2008 Emert D6/353
D582,168 S * 12/2008 Sandel D6/349
(Continued)

(**) Term: **15 Years**

(21) Appl. No.: **29/680,387**

(22) Filed: **Feb. 15, 2019**

(51) **LOC (12) Cl.** **21-02**

(52) **U.S. Cl.**
USPC **D21/686**

(58) **Field of Classification Search**
USPC D21/668, 688, 671, 686, 662, 689, 687, D21/413, 412, 423, 692, 694, 698, 760, D21/765, 766, 769, 803, 788; D6/349, D6/353, 406.3, 582, 592, 685, 707.22; 482/70, 79, 71, 132, 34, 146, 142, 93, 482/105, 110, 121, 123, 126, 130, 139, 482/141, 147, 148, 51, 52, 77; 472/135, 472/110, 14, 218, 269, 409, 451, 452; 600/595; 473/451, 452, 269, 409; 280/205, 87.042, 609; D14/413, 419, D14/216; D24/211; D29/100
CPC A63B 21/4035; A63B 21/0552; A63B 21/0442; A63B 2208/0204; A63B 2210/50; A63B 23/0458; A63B 221/00047; A61H 2201/1284
See application file for complete search history.

(56) **References Cited**

U.S. PATENT DOCUMENTS

4,630,861 A * 12/1986 Henschel A47C 4/08
108/124
D355,988 S * 3/1995 Brooking D6/349

OTHER PUBLICATIONS

Product listing for Rogue Wood Plyo Boxes, from <https://web.archive.org/web/20170708230654/https://www.roguefitness.com/rogue-wood-plyoboxes>, dated Jul. 8, 2017.

(Continued)

Primary Examiner — Ryan Harvey

(74) *Attorney, Agent, or Firm* — Banner & Witcoff, Ltd.

(57) **CLAIM**

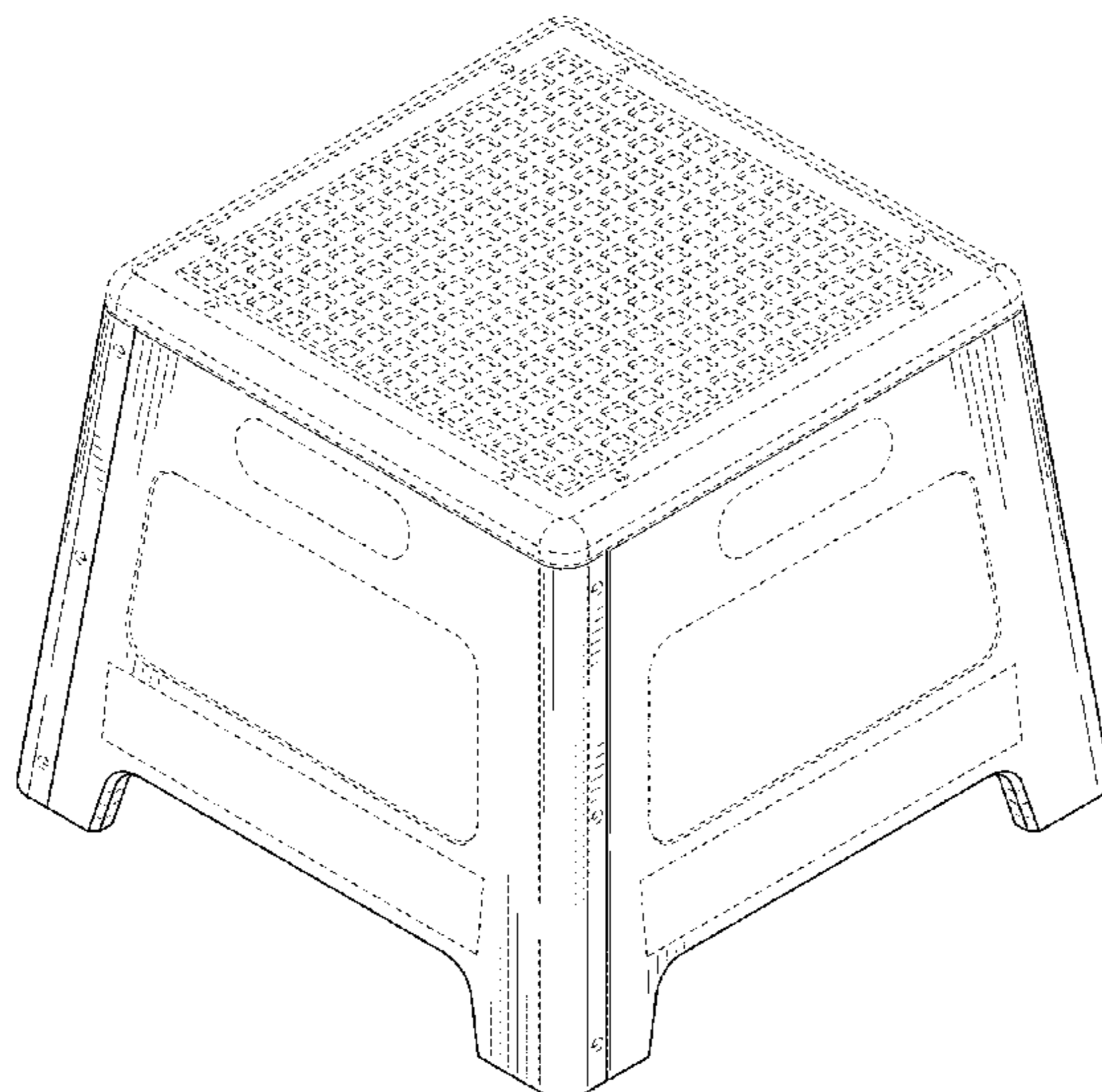
The ornamental design for a plyometric box, as shown and described.

DESCRIPTION

FIG. 1 is a top, front, right perspective view of a plyometric box showing my new design;
FIG. 2 is a bottom, front, right perspective view thereof;
FIG. 3 is a front view thereof;
FIG. 4 is a right side view thereof;
FIG. 5 is a rear view thereof;
FIG. 6 is a left side view thereof;
FIG. 7 is a top view thereof; and,
FIG. 8 is a bottom view thereof.

The broken lines immediately adjacent to the shaded area define the bounds of the claimed design and form no part thereof. The broken lines depicting the remainder of the plyometric box show features that form no part of the claimed design.

1 Claim, 6 Drawing Sheets



(56)

References Cited

U.S. PATENT DOCUMENTS

D586,923 S * 2/2009 Eveleth D25/65
 D609,927 S * 2/2010 Floer D6/350
 D615,667 S * 5/2010 Dunn D25/65
 D632,101 S * 2/2011 Sandel D6/349
 D639,080 S * 6/2011 van der Lande D6/353
 D668,070 S * 10/2012 Kim D6/353
 8,414,414 B2 * 4/2013 Viramontez A63B 69/0002
 473/270
 D690,522 S * 10/2013 Pontiff D6/349
 D707,975 S * 7/2014 Habraken D6/353
 D710,031 S * 7/2014 Simpson D25/65
 D736,867 S * 8/2015 Glickfield D21/671
 D736,869 S * 8/2015 Harker D21/686
 D751,309 S * 3/2016 Habraken D25/65
 D779,860 S * 2/2017 Siao D6/684
 D813,961 S * 3/2018 Ness D21/686
 D815,847 S * 4/2018 Vincent D6/349
 D828,049 S * 9/2018 Khubani D6/353
 D831,134 S * 10/2018 Hillson D21/686
 10,271,655 B1 * 4/2019 Gwen A47C 4/10
 D859,017 S * 9/2019 Baker D6/353

2014/0131138 A1* 5/2014 Simpson A47C 12/00
 182/223
 2015/0083522 A1* 3/2015 Chancler A47C 9/10
 182/152
 2017/0215594 A1* 8/2017 Baker A47C 12/00

OTHER PUBLICATIONS

Product listing for Rogue Games Box, from <https://web.archive.org/web/20170625162158/http://www.roguefitness.com/rogue-games-box>, dated Jun. 25, 2017.
 Product listing for Rogue Foam Games Box, from <https://web.archive.org/web/20170708224917/https://www.roguefitness.com/rogue-foam-games-box>, dated Jul. 8, 2017.
 Product listing for Rogue Flat Pack Games Box, from <https://web.archive.org/web/20170602020329/http://www.roguefitness.com/rogue-flat-pack-games-box>, dated Jun. 2, 2017.
 Product listing for Rogue Steel Plyo Boxes, from <https://web.archive.org/web/20170612212715/http://www.roguefitness.com/steel-plyoboxes>, dated Jun. 12, 2017.
 Product listing for Rogue Foam Plyo Boxes, from <https://web.archive.org/web/20170701065301/http://www.roguefitness.com:80/rogue-foam-plyoboxes>, dated Jul. 1, 2017.

* cited by examiner

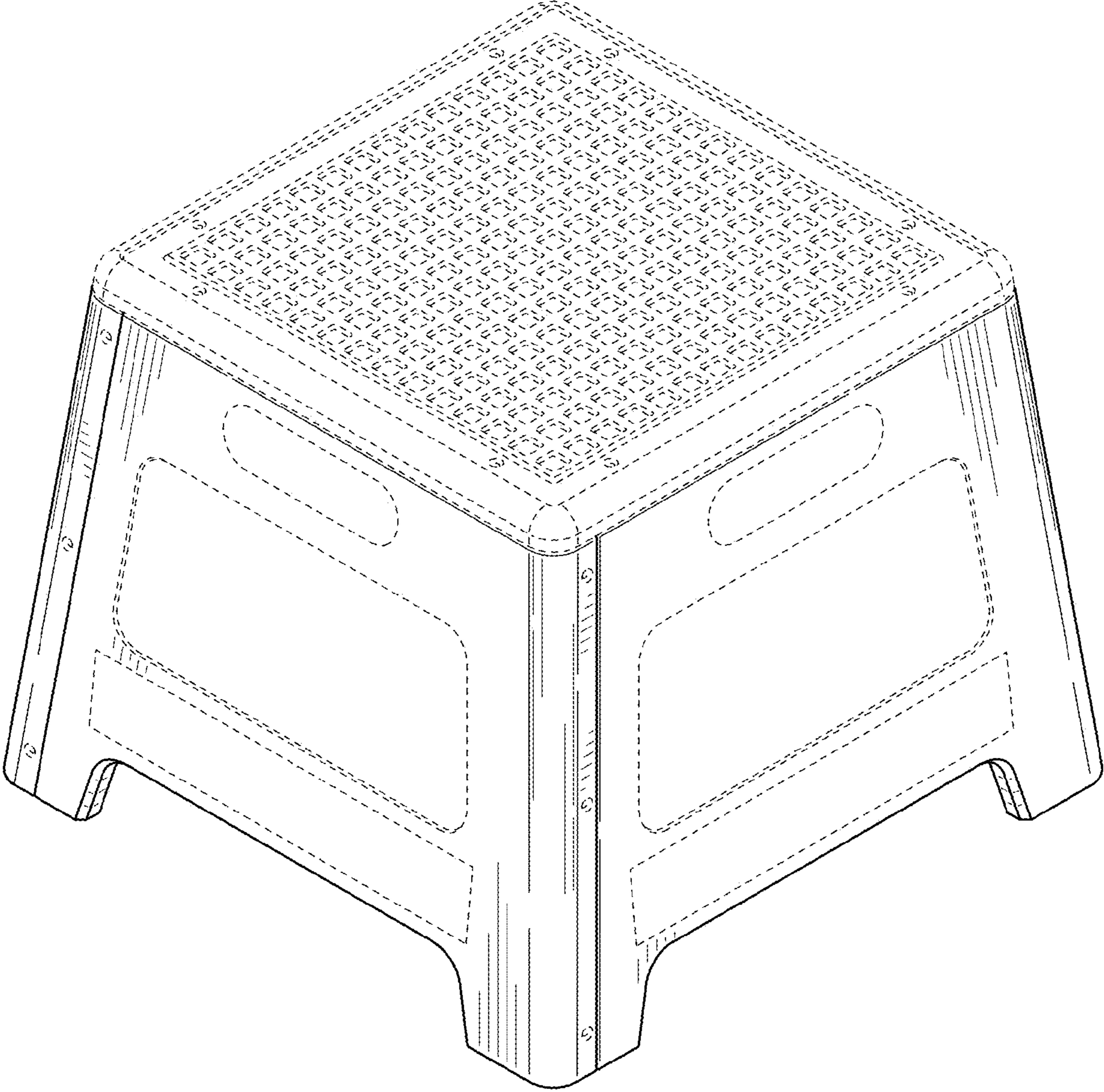


FIG. 1

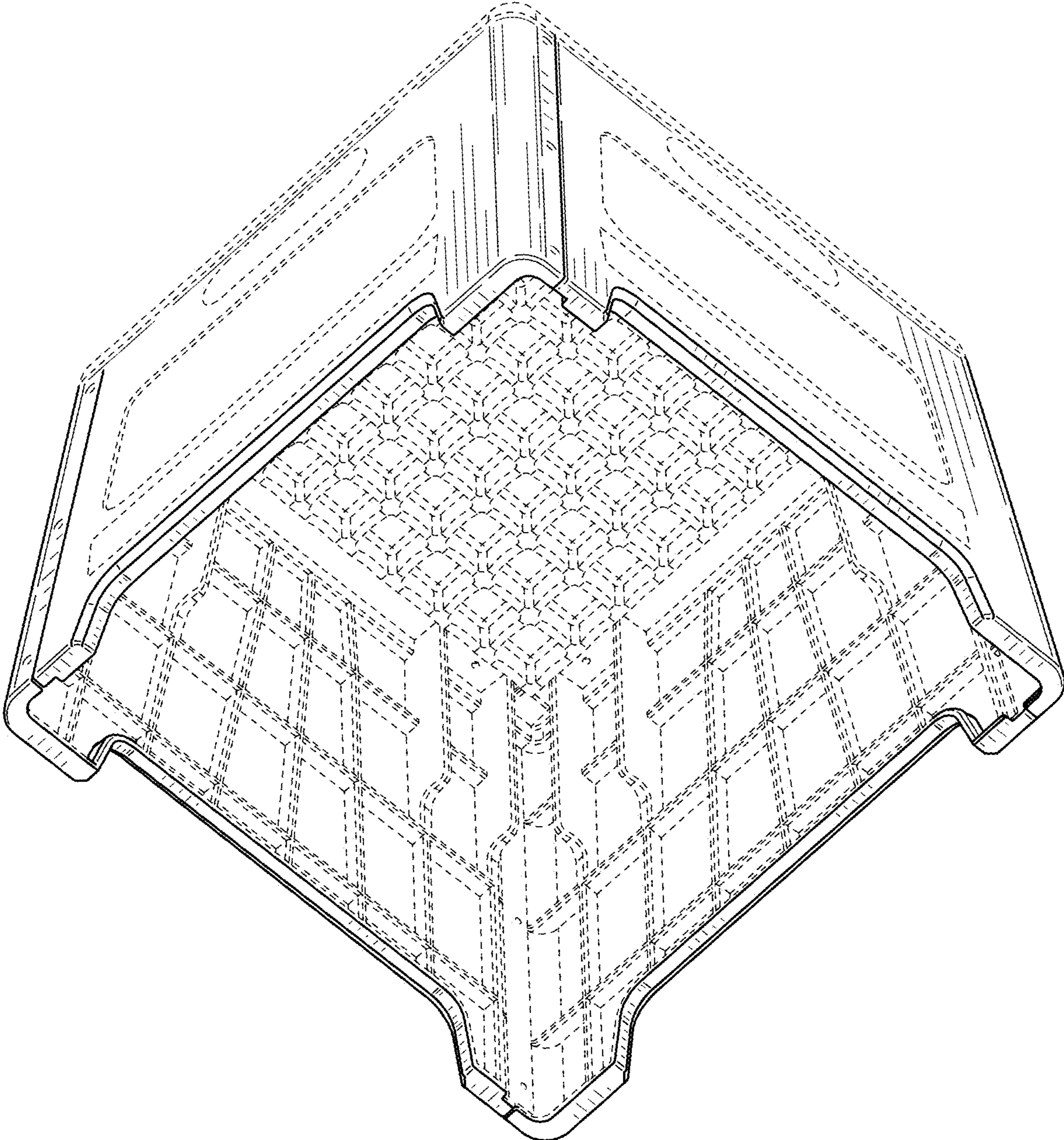


FIG. 2

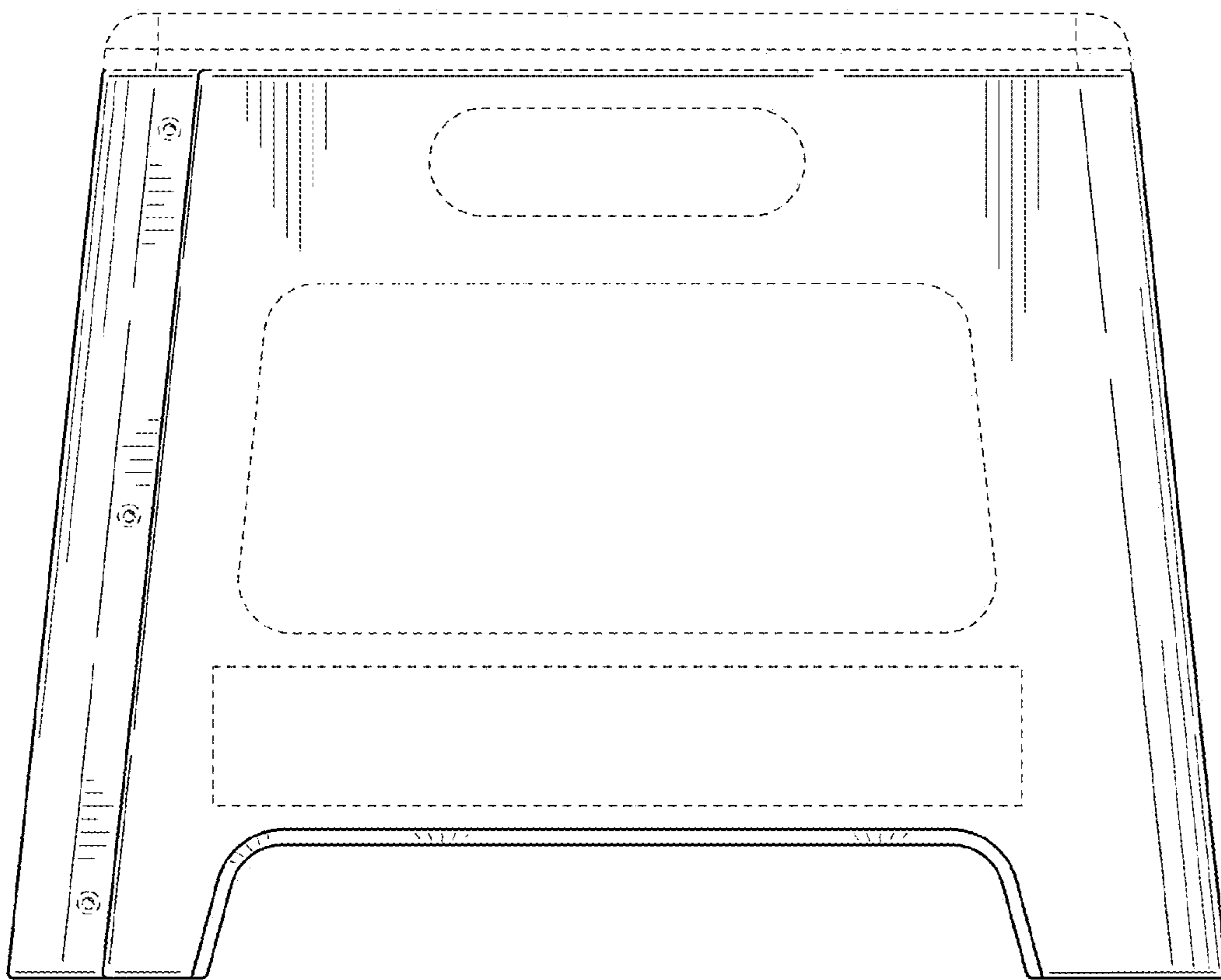


FIG. 3

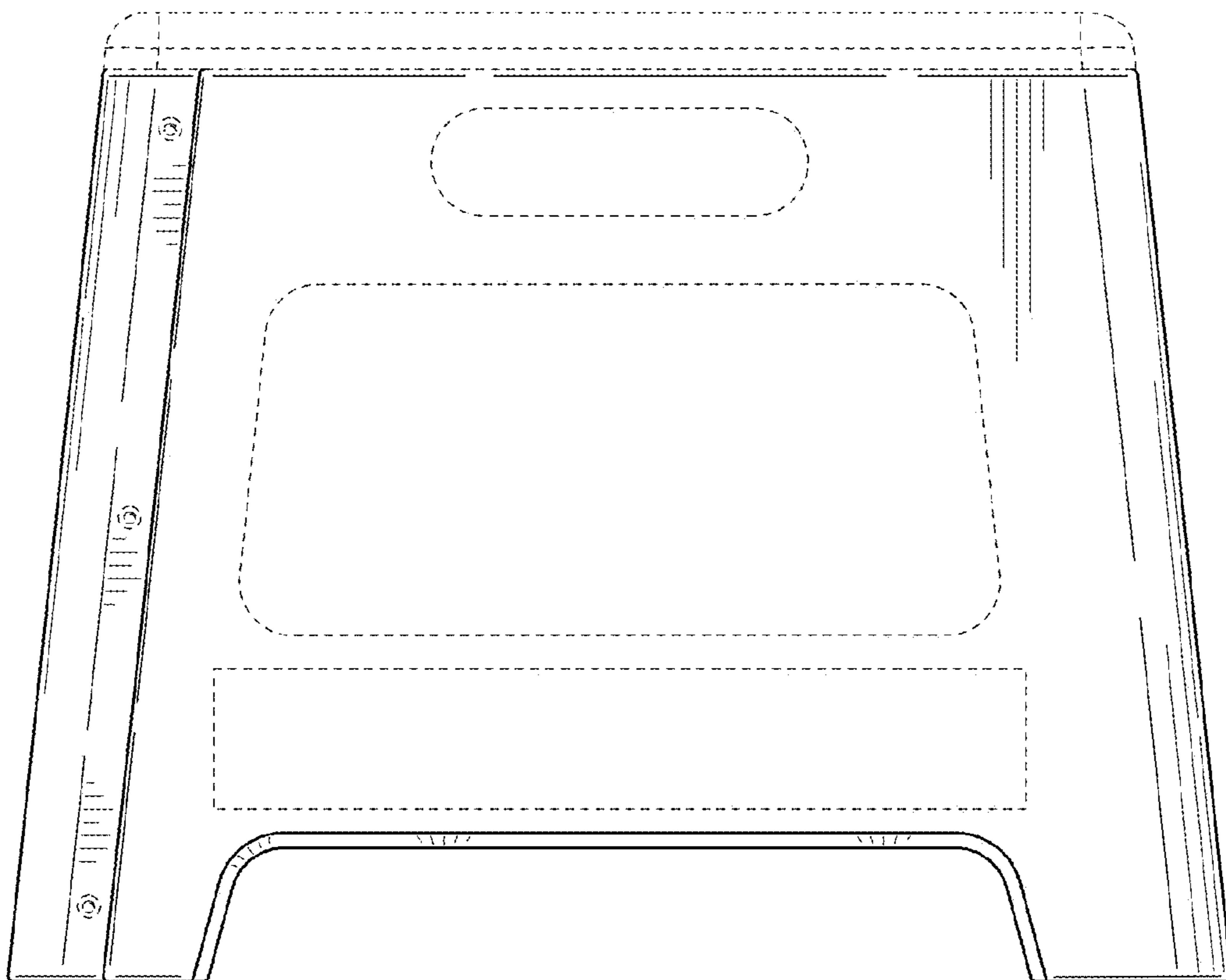


FIG. 4

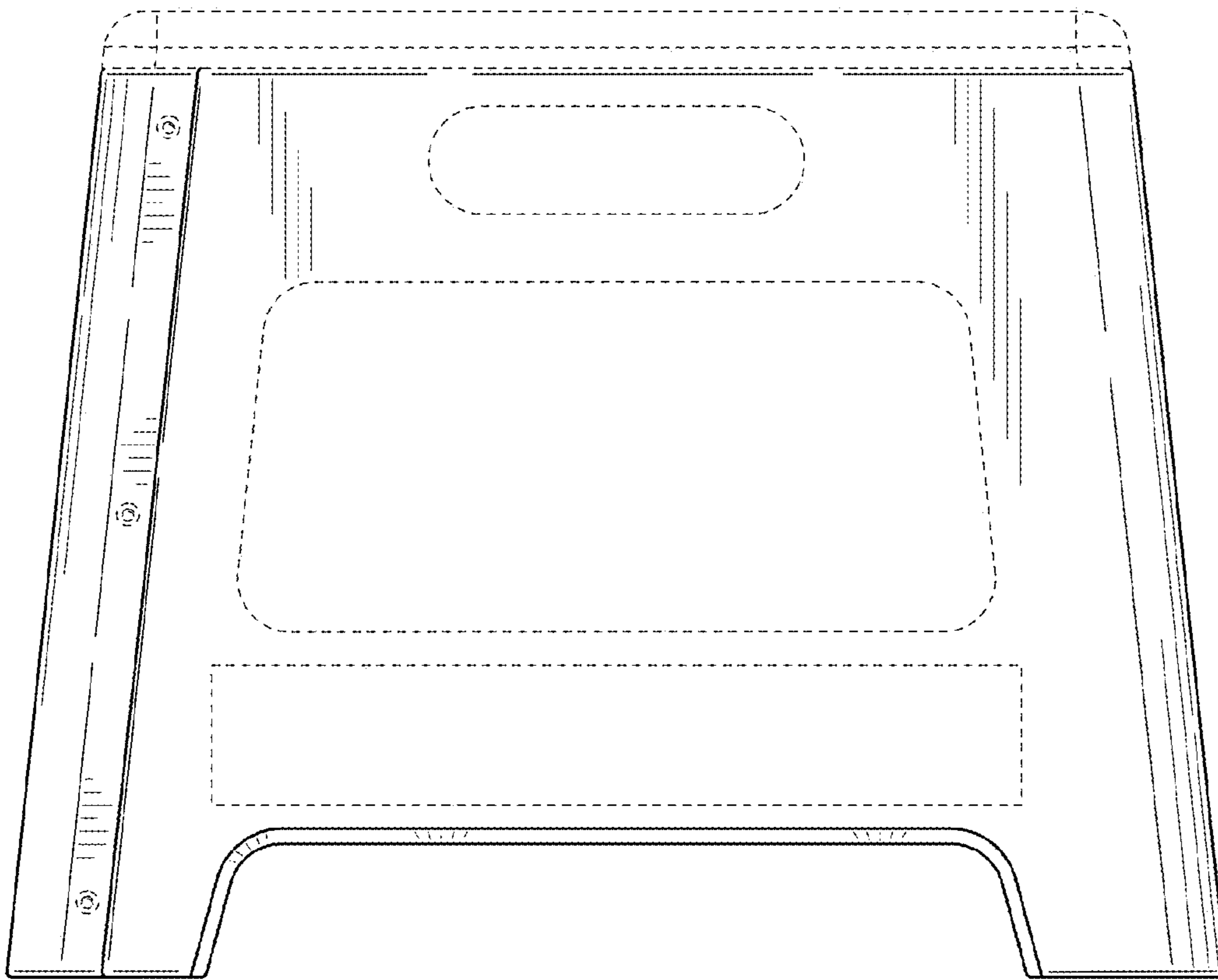


FIG. 5

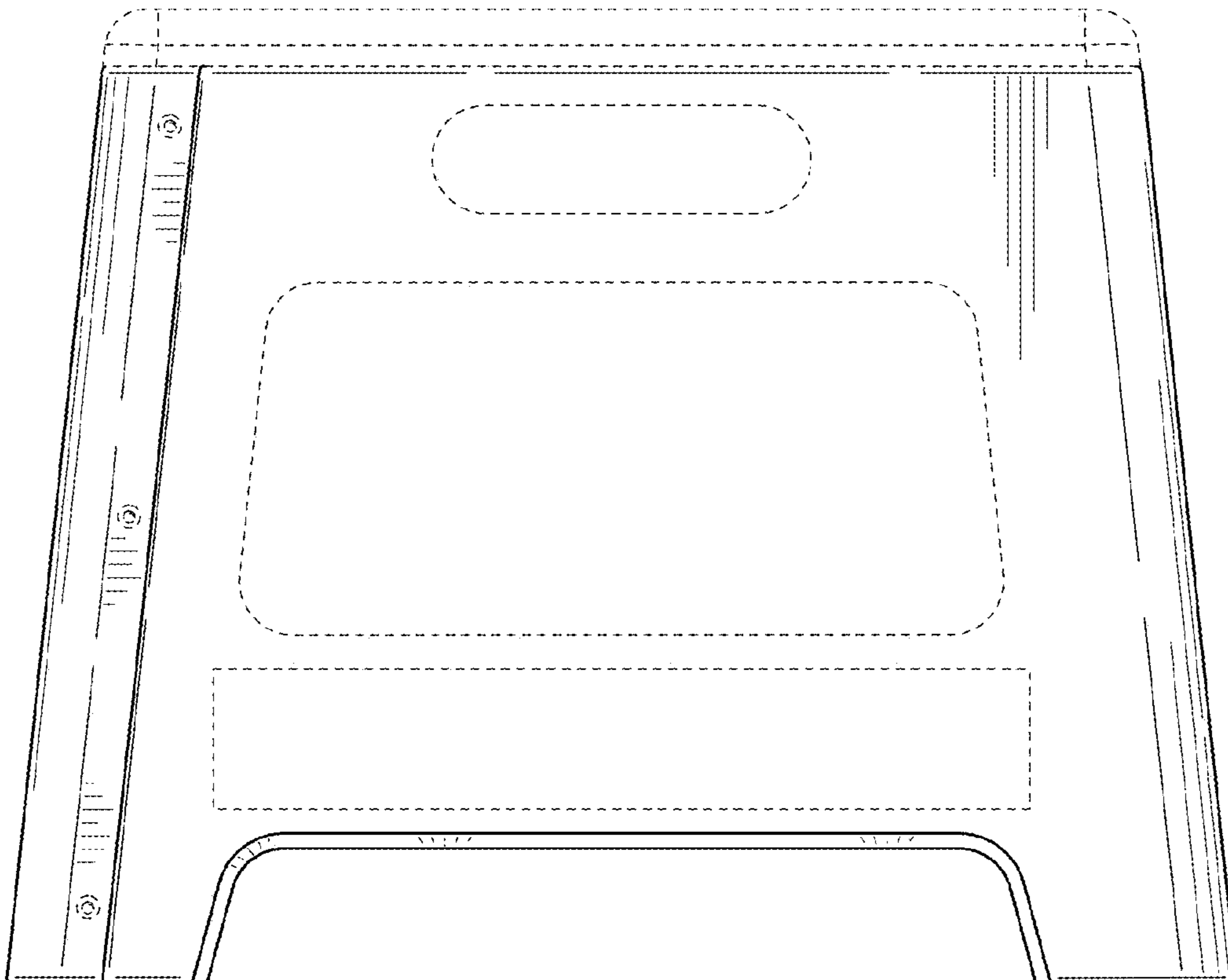


FIG. 6

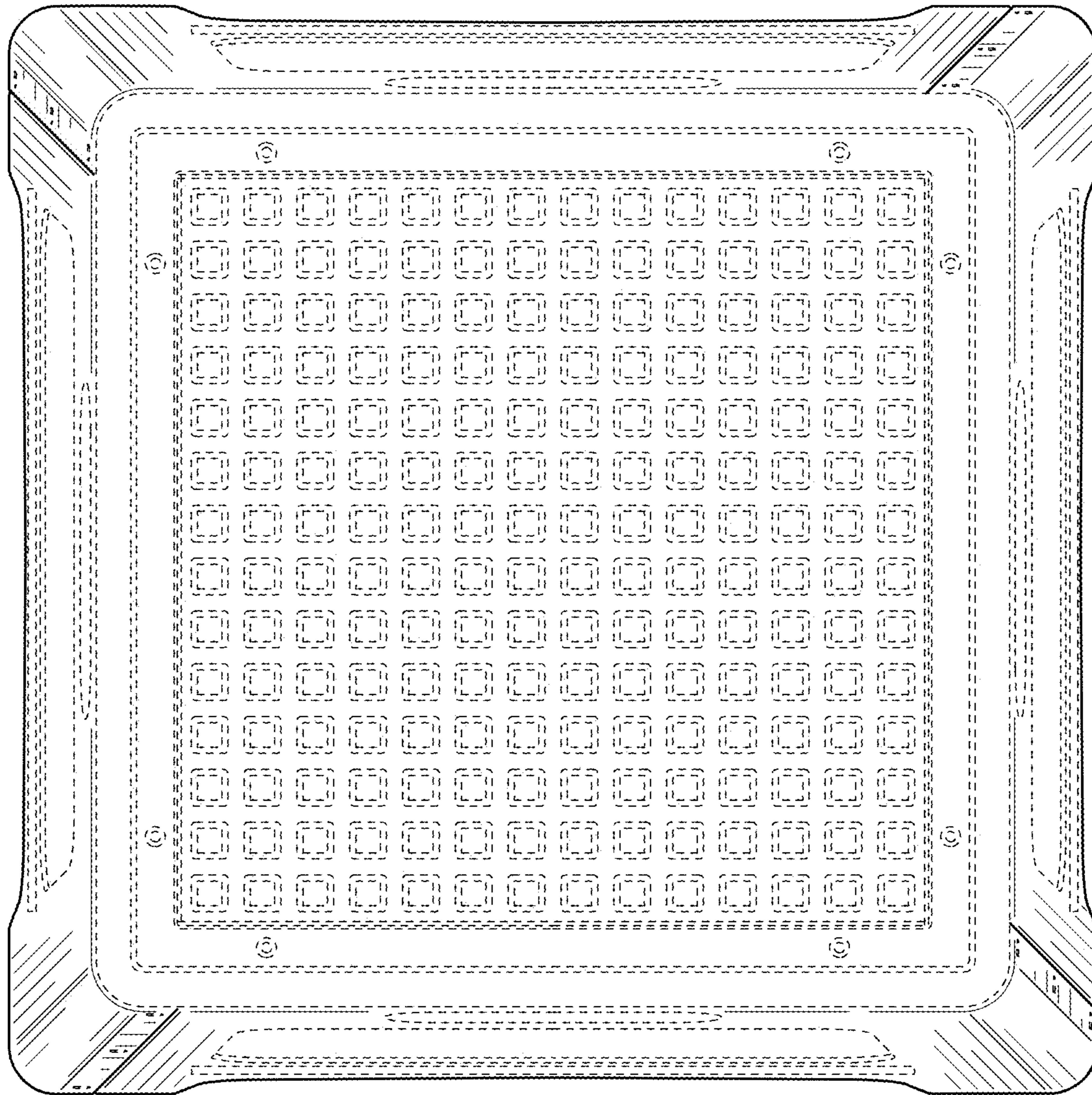


FIG. 7

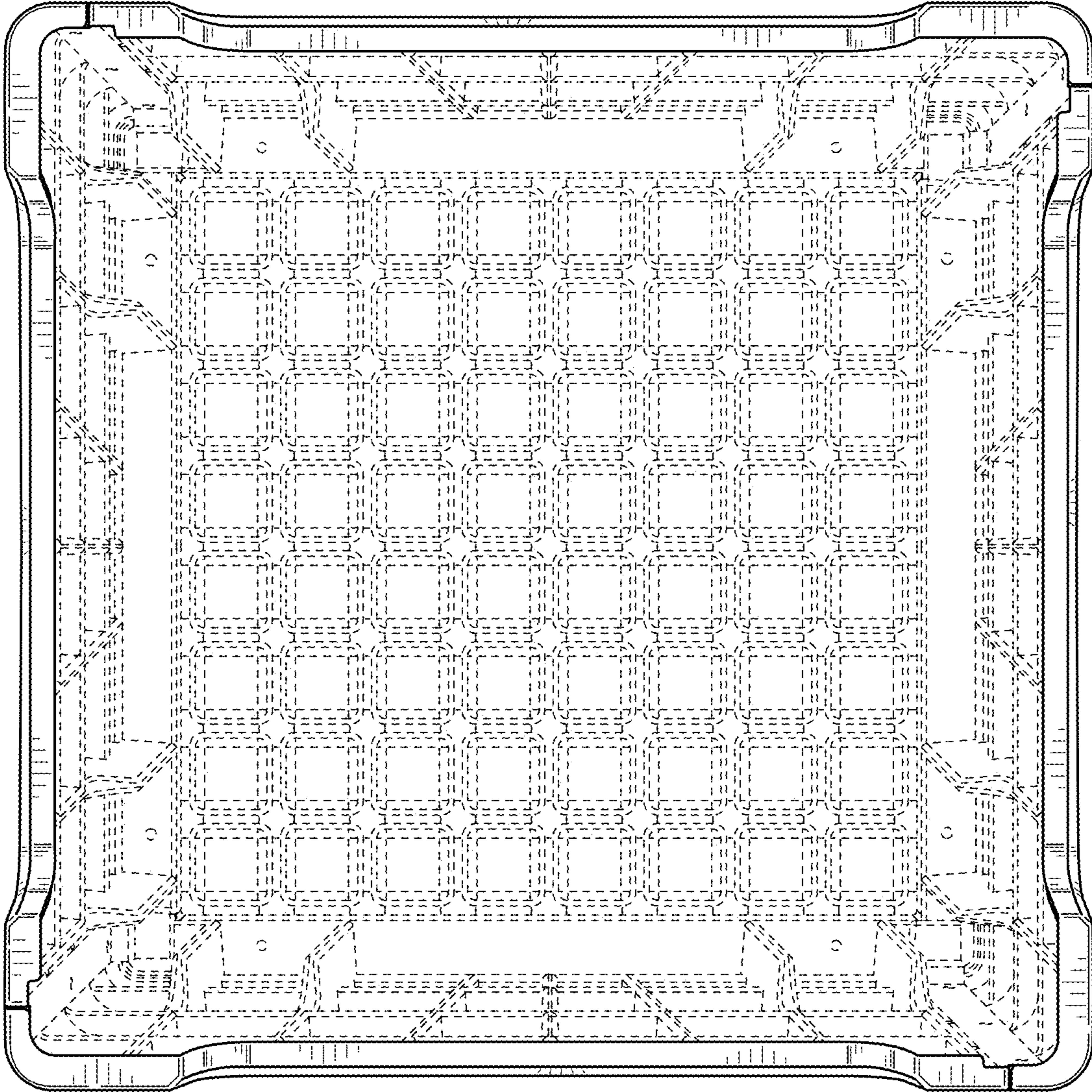


FIG. 8