



US00D890867S

(12) **United States Design Patent** (10) **Patent No.:** **US D890,867 S**
Carmichael et al. (45) **Date of Patent:** **** Jul. 21, 2020**

(54) **CARRIAGE FOR EXERCISE RACK**

FOREIGN PATENT DOCUMENTS

(71) Applicant: **Coulter Ventures LLC**, Columbus, OH (US)

EP 3295998 A1 3/2018
FR 2630652 A1 11/1989
(Continued)

(72) Inventors: **James Carmichael**, Hilliard, OH (US);
Ahmik Jones, Upper Arlington, OH (US); **Bill Henniger**, Columbus, OH (US)

OTHER PUBLICATIONS

Product promotional materials for Dynamic Fitness Ultra Pro Rack Series from <https://web.archive.org/web/20170112075250/https://mydynamicfitness.com>, dated Jan. 12, 2017.

(73) Assignee: **Coulter Ventures, LLC.**, Columbus, OH (US)

(Continued)

(**) Term: **15 Years**

Primary Examiner — Cynthia Ramirez

(21) Appl. No.: **29/661,404**

Assistant Examiner — Michael A Maharajh

(22) Filed: **Aug. 27, 2018**

(74) *Attorney, Agent, or Firm* — Banner & Witcoff, Ltd.

(51) **LOC (12) Cl.** **21-02**

(52) **U.S. Cl.**
USPC **D21/686**

(57) **CLAIM**

The ornamental design for a carriage for exercise rack, as shown and described.

(58) **Field of Classification Search**
USPC 482/92, 94, 104, 106, 107; D21/686,
D21/694; D25/68; D8/349, 354, 363,
D8/371, 373, 380, 382
CPC A63B 21/078; A63B 21/169; A63B 21/16;
A63B 71/023

DESCRIPTION

See application file for complete search history.

FIG. 1 is a top, front, right perspective view of a carriage for exercise rack showing our new design; FIG. 2 is a right side view thereof; FIG. 3 is a left side view thereof; FIG. 4 is a front view thereof; FIG. 5 is a rear view thereof; FIG. 6 is a top view thereof; FIG. 7 is a bottom view thereof; and, FIG. 8 is a top, front, left perspective view thereof shown in a condition of use.

The broken lines in FIGS. 1-8 show portions of the carriage for exercise rack which form no part of the claimed design. The additional broken lines shown in FIG. 8 are to show environment structure and form no part of the claimed design.

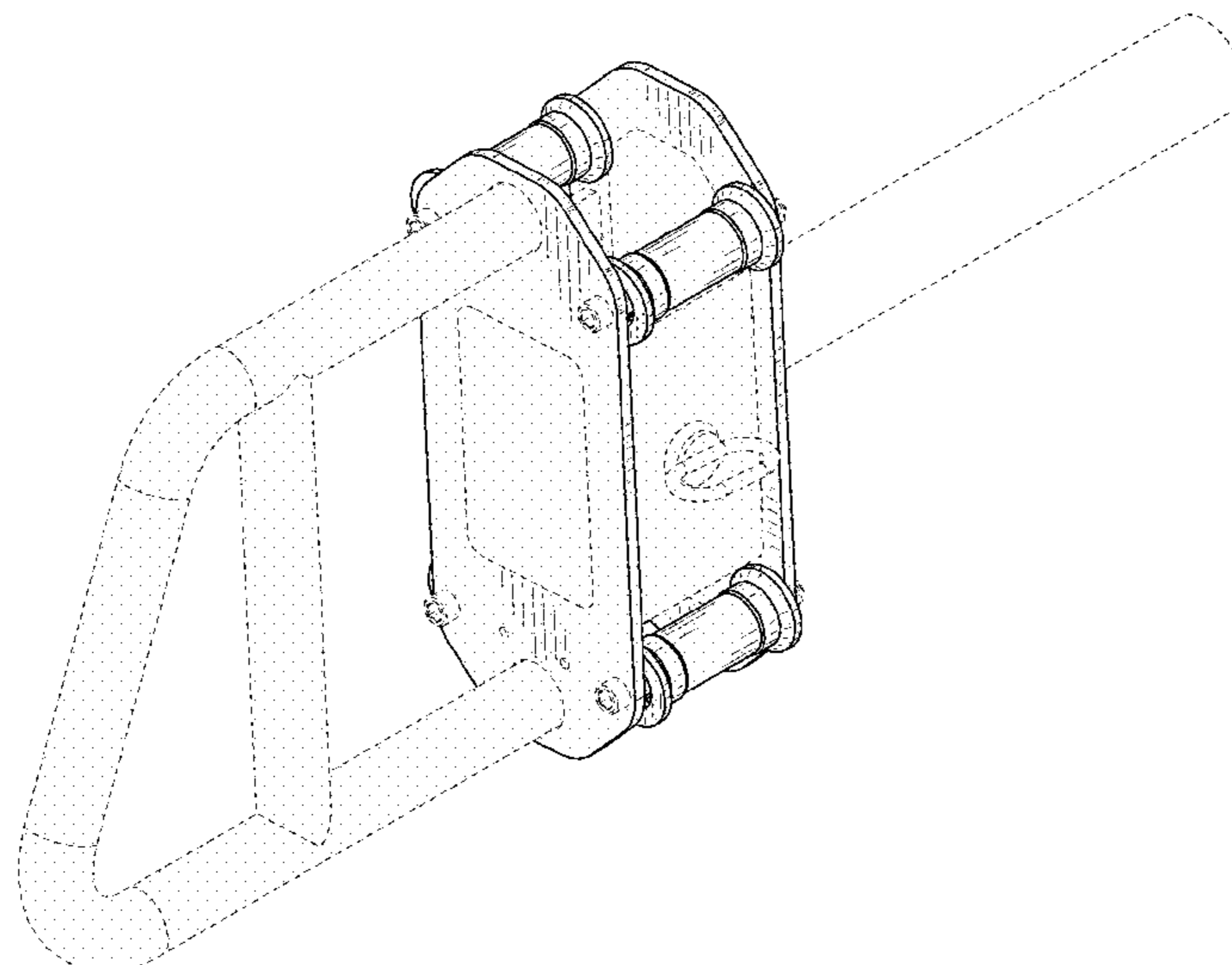
(56) **References Cited**

U.S. PATENT DOCUMENTS

2,476,863	A *	7/1949	Hawes	E04G 7/24 D25/68
4,286,782	A	9/1981	Fuhrhop		
4,339,125	A	7/1982	Uyeda et al.		
4,492,375	A	1/1985	Connelly		
4,582,320	A	4/1986	Shaw		
4,635,934	A	1/1987	Roethke		
4,856,775	A	8/1989	Colledge et al.		
5,050,868	A	9/1991	Pearson		
5,116,297	A	5/1992	Stonecipher		
5,529,558	A	6/1996	Koenig		

(Continued)

1 Claim, 6 Drawing Sheets



(56)

References Cited

U.S. PATENT DOCUMENTS

5,569,133 A 10/1996 Vittone
 5,722,922 A 3/1998 Watterson et al.
 5,971,897 A 10/1999 Olson et al.
 D439,292 S * 3/2001 Webber D21/694
 6,217,483 B1 4/2001 Kallassy
 6,238,323 B1 5/2001 Simonson
 D444,827 S * 7/2001 Mobley D21/694
 6,261,205 B1 7/2001 Eلفson
 6,394,935 B1 5/2002 Lake
 6,447,430 B1 9/2002 Webb et al.
 6,482,139 B1 11/2002 Haag
 D550,790 S 9/2007 Staten
 D550,791 S 9/2007 Rogers et al.
 D550,792 S 9/2007 Rogers et al.
 D551,306 S 9/2007 Rogers et al.
 D562,670 S * 2/2008 Rogers D21/694
 7,488,277 B1 2/2009 Knapp
 D593,848 S * 6/2009 Balemi D15/28
 D593,849 S * 6/2009 Balemi D8/382
 7,549,950 B1 6/2009 Lundquist et al.
 8,057,368 B1 11/2011 Lyszczarz
 8,096,926 B1 1/2012 Batca
 8,172,733 B1 5/2012 Batca
 D666,259 S * 8/2012 Garcia D21/686
 9,011,301 B2 4/2015 Balandis et al.
 9,028,381 B2 5/2015 Mestemaker
 9,289,638 B2 3/2016 Towley, III et al.
 9,302,139 B2 4/2016 Habing et al.
 D761,084 S * 7/2016 Cox D8/354
 D761,085 S * 7/2016 Cox D8/354
 9,409,220 B2 * 8/2016 Henniger F16B 9/026
 9,421,413 B2 8/2016 Staten et al.
 D772,356 S * 11/2016 Gregory D21/686
 D806,808 S * 1/2018 Gregory D21/686
 D808,475 S 1/2018 Meredith et al.
 D818,547 S * 5/2018 Meredith D21/686
 10,226,661 B2 * 3/2019 Henniger A63B 21/068
 D852,291 S * 6/2019 Meredith D21/694
 D858,262 S * 9/2019 Wilson D8/373
 10,456,615 B1 * 10/2019 Anthony A63B 21/169
 2003/0115955 A1 6/2003 Keiser
 2005/0054493 A1 3/2005 Skilken et al.
 2005/0202941 A1 9/2005 Vaes
 2006/0183607 A1 8/2006 Collias
 2006/0252615 A1 11/2006 Melcer
 2007/0155595 A1 7/2007 Rogers et al.
 2007/0155596 A1 7/2007 Rogers et al.
 2007/0161468 A1 * 7/2007 Yanagisawa A63B 21/0552
 482/94
 2009/0143203 A1 6/2009 Knapp

2010/0137112 A1 * 6/2010 Harker A63B 21/0552
 482/92
 2010/0216610 A1 8/2010 Gedeon-Janvier
 2010/0292057 A1 11/2010 Dunn
 2012/0289384 A1 11/2012 Staten et al.
 2013/0035220 A1 2/2013 Adams
 2013/0296143 A1 11/2013 Staten et al.
 2013/0296146 A1 11/2013 Staten et al.
 2014/0087928 A1 3/2014 Luedeka
 2014/0200117 A1 * 7/2014 Grider A63B 17/04
 482/104
 2014/0256517 A1 9/2014 Poppinga
 2015/0016919 A1 * 1/2015 Tambornino F16B 35/06
 411/366.1
 2015/0065316 A1 * 3/2015 Towley, III A63B 21/00047
 482/104
 2015/0083681 A1 3/2015 Childs
 2015/0182773 A1 7/2015 Olson et al.
 2015/0290488 A1 * 10/2015 Hopperstad A63B 21/078
 482/38
 2015/0352395 A1 12/2015 Gregory
 2016/0023035 A1 * 1/2016 Meyer A63B 1/00
 482/38
 2016/0213967 A1 7/2016 Habing et al.
 2017/0007877 A1 1/2017 Leipheimer
 2017/0246496 A1 8/2017 Nelson et al.
 2018/0243597 A1 * 8/2018 Schlegel A63B 23/1227
 2019/0247701 A1 * 8/2019 Sergakis A63B 21/078
 2019/0275363 A1 * 9/2019 Jones A63B 23/03508
 2019/0308061 A1 * 10/2019 Murrell A63B 1/00

FOREIGN PATENT DOCUMENTS

GB 2346808 A 8/2000
 KR 200466889 Y1 5/2013
 KR 20140060130 A 5/2014
 WO 9842411 A1 10/1998
 WO 201893699 A1 5/2018

OTHER PUBLICATIONS

Product listing for Rogue Monster Lever Arms from <https://web.archive.org/web/20160529110340/http://www.roguefitness.com/monster-lever-arms>, dated May 29, 2016.
 Product listing for Rogue Monster Lever Arms from <https://web.archive.org/web/20161111082206/http://www.roguefitness.com/monster-lever-arms>, dated Nov. 11, 2016.
 Photo from <https://web.archive.org/web/20170112075250/https://mydynamicfitness.com>, dated Jan. 12, 2017.
 Screenshots from <https://www.youtube.com/watch?v=A4xv8OhVbzI>, dated May 17, 2018.

* cited by examiner

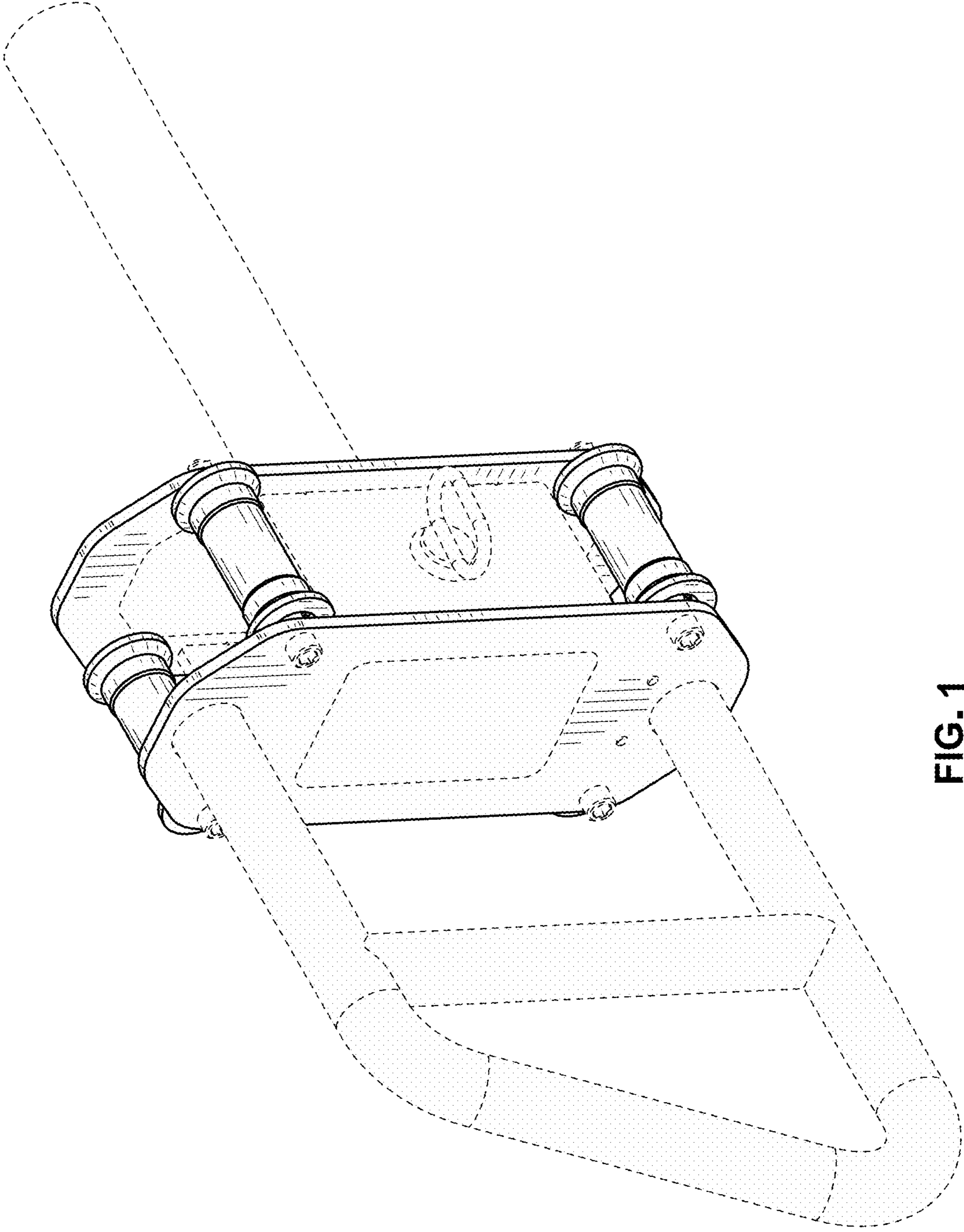


FIG. 1

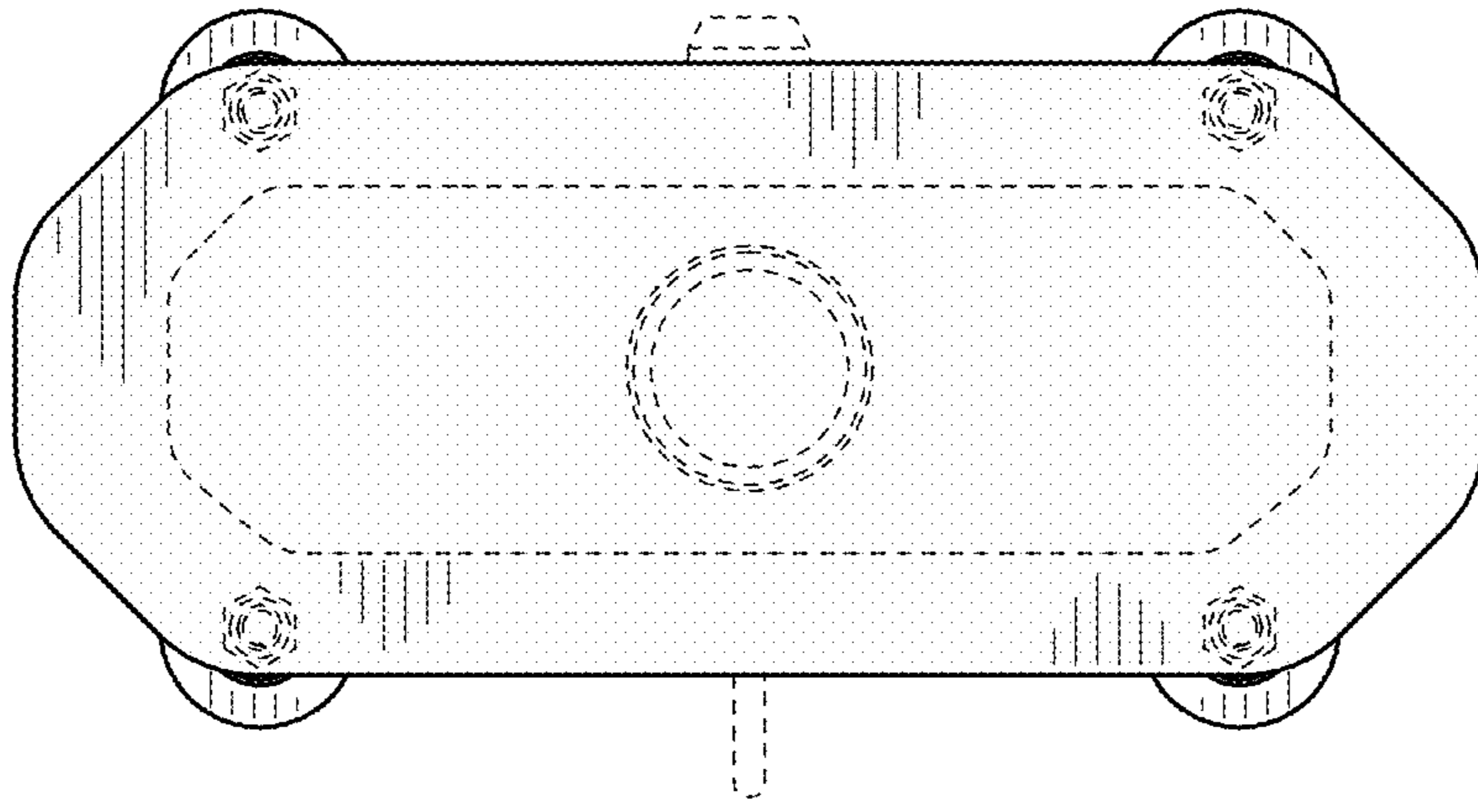


FIG. 2

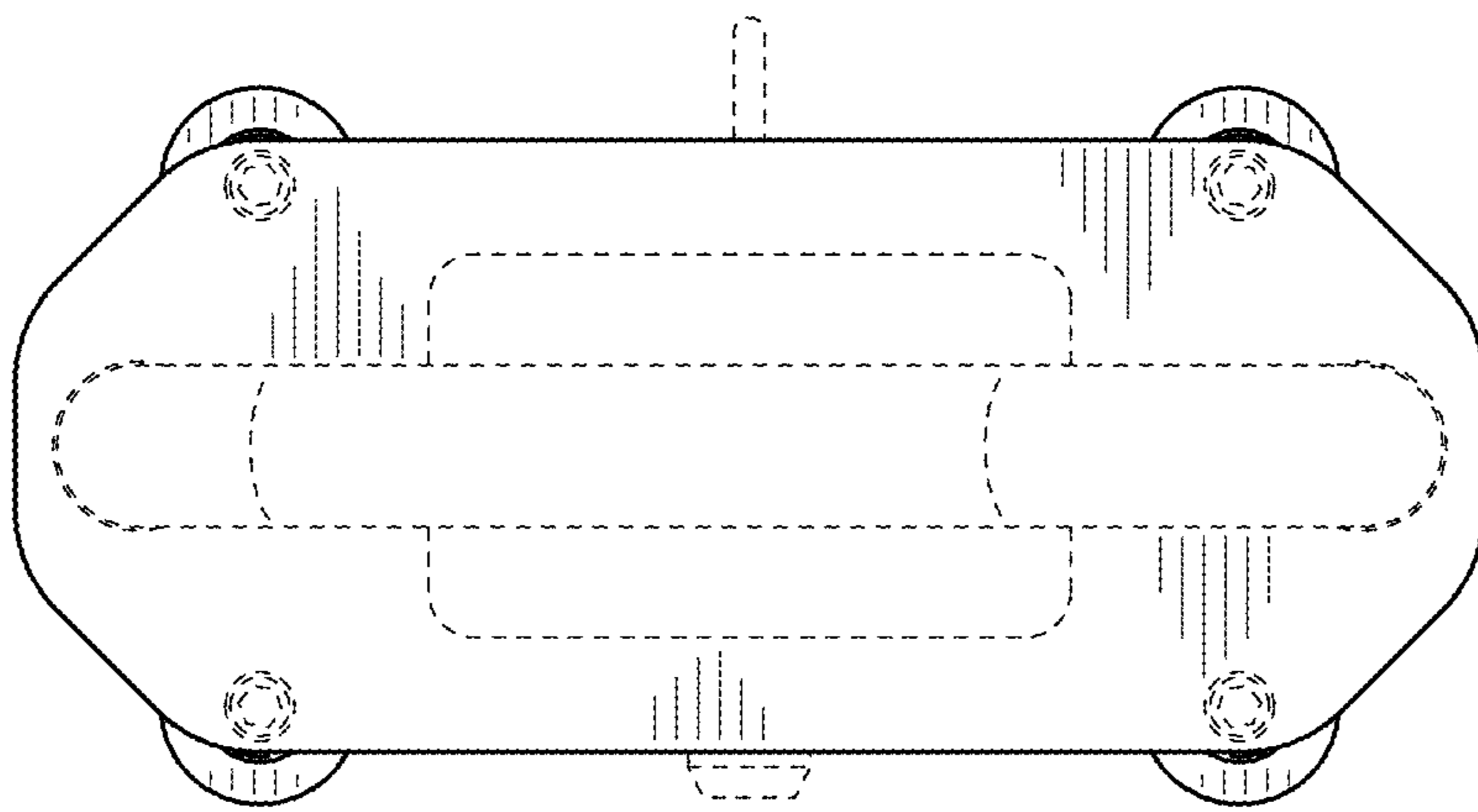


FIG. 3

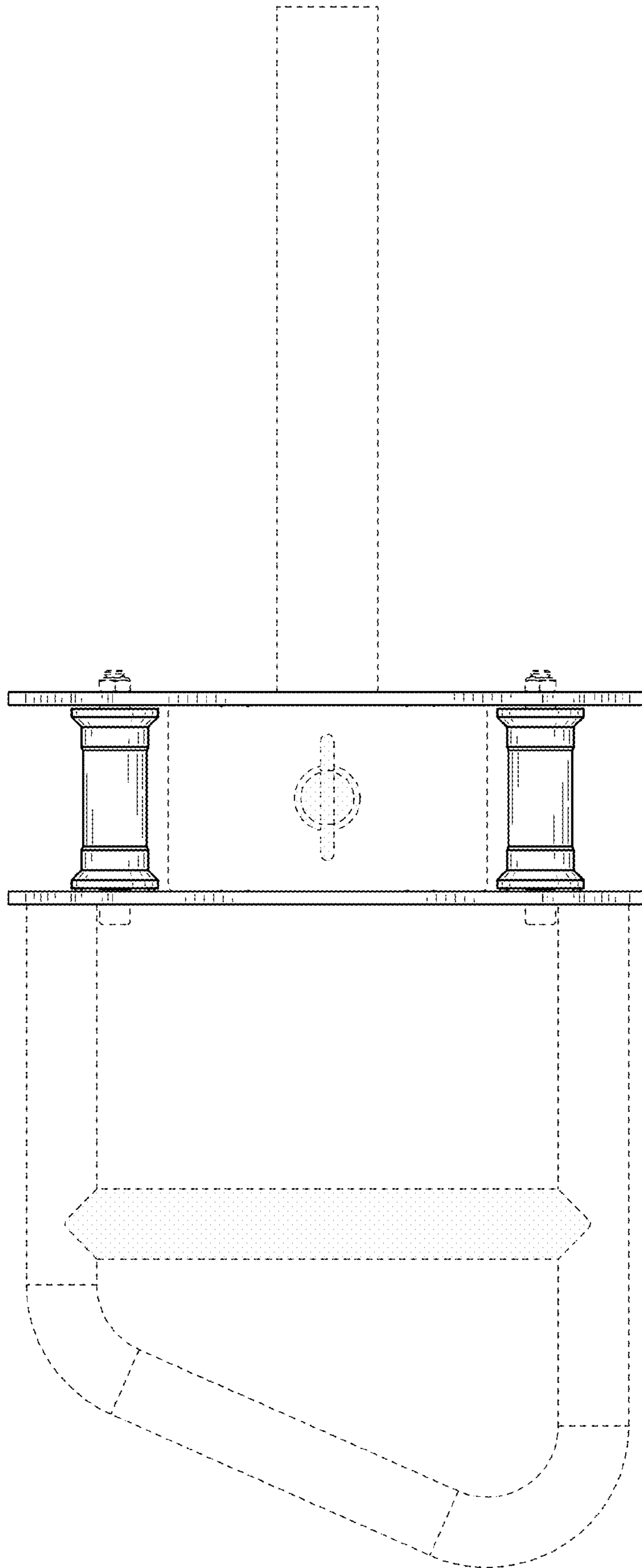


FIG. 4

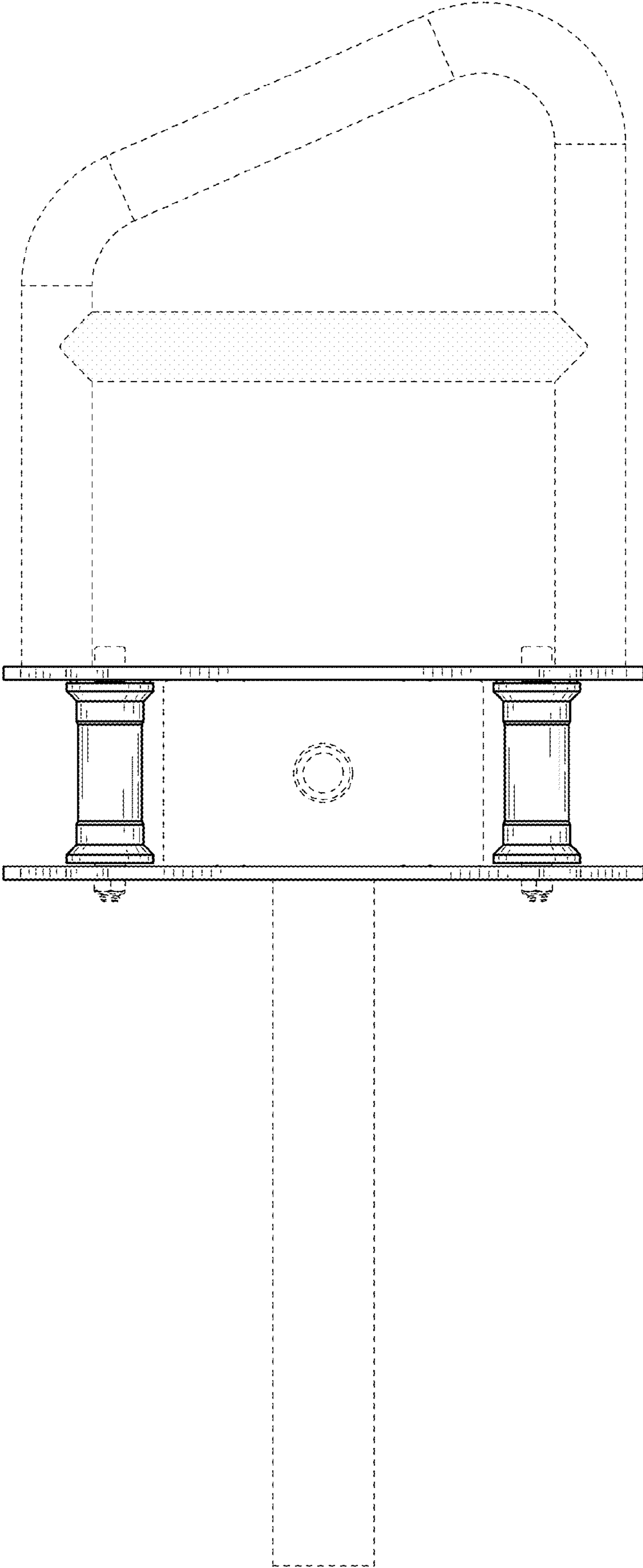


FIG. 5

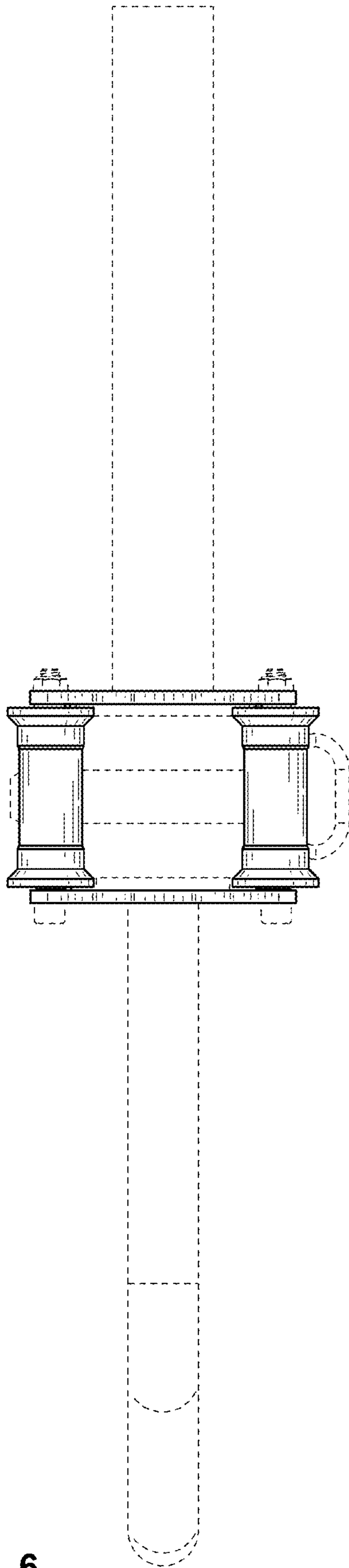


FIG. 6

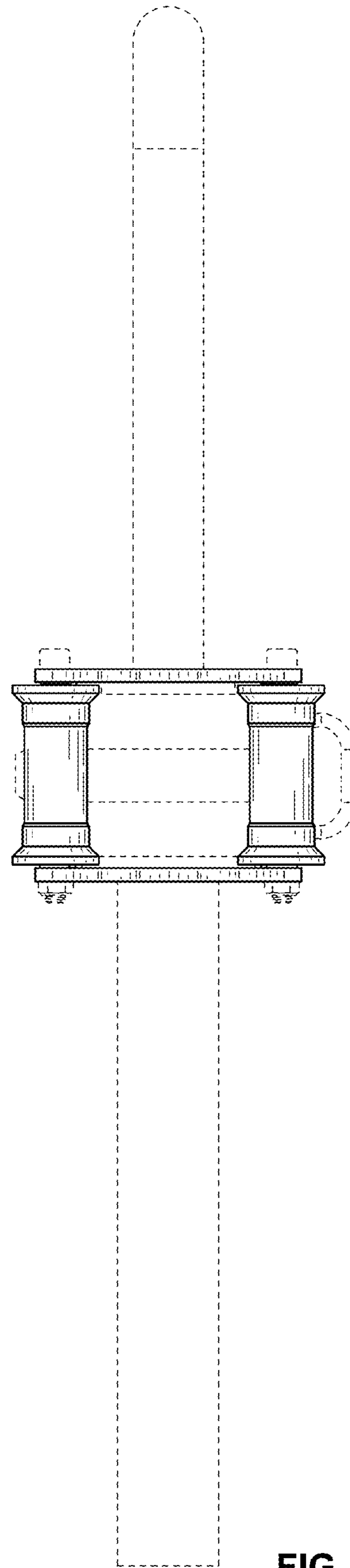


FIG. 7

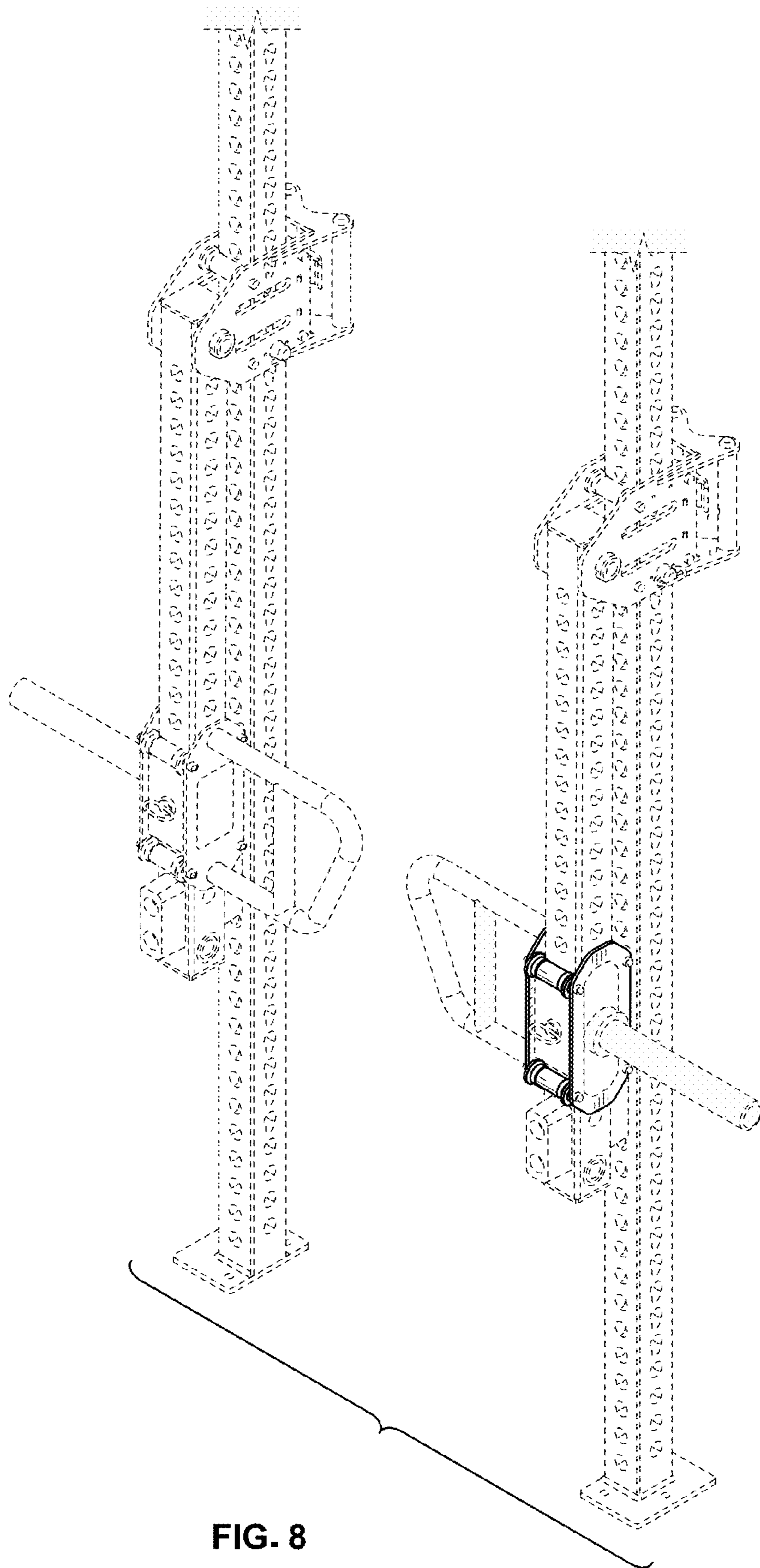


FIG. 8