



US00D890866S

(12) **United States Design Patent**
Religa et al.

(10) **Patent No.:** **US D890,866 S**
(45) **Date of Patent:** **** Jul. 21, 2020**

(54) **EXERCISE DEVICE**
(71) Applicants: **Brandon Religa**, Rolla, MO (US);
Augustine Bindbeutel, Rolla, MO (US)
(72) Inventors: **Brandon Religa**, Rolla, MO (US);
Augustine Bindbeutel, Rolla, MO (US)
(73) Assignee: **Rollout LLC**, Rolla, MO (US)
(**) Term: **15 Years**

D664,723 S * 7/2012 Wolfe, Jr. D30/160
D669,141 S * 10/2012 MacColl D21/662
D723,710 S * 3/2015 Ishibashi D24/215
D734,480 S * 7/2015 Jones D24/211
D754,868 S * 4/2016 Hendrickson D24/211
D756,468 S * 5/2016 Chang D21/662
9,586,088 B2 * 3/2017 Wong A63B 23/0211
D804,048 S * 11/2017 Winkley D24/215
D818,544 S * 5/2018 Miller D21/662
D851,271 S * 6/2019 Burson A61H 15/0092
D852,903 S * 7/2019 Chuang D21/662
D861,808 S * 10/2019 Shi D21/688

(21) Appl. No.: **29/670,644**
(22) Filed: **Nov. 19, 2018**
(51) **LOC (12) Cl.** **21-02**
(52) **U.S. Cl.**
USPC **D21/662; D24/211**
(58) **Field of Classification Search**
USPC D21/662, 679–680, 684, 694, 805;
D24/200, 211–215; D12/1
CPC A63B 21/0004
See application file for complete search history.

OTHER PUBLICATIONS

Odoland 3-In-1 AB Roller Kit—Best AB Roller Pro : Published Feb. 22, 2018 [online], site visited Dec. 4, 2019. Available from Internet URL: https://www.amazon.com/dp/B073VFXXTQ/ref=cm_sw_r_tw_dp_U_x_91a6DbCWGJE20 (Year: 2018).*

(Continued)

Primary Examiner — Jack Reickel
Assistant Examiner — Melvin L Davis
(74) *Attorney, Agent, or Firm* — C. John Brannon;
Brannon Sowers & Cracraft PC

(56) **References Cited**

U.S. PATENT DOCUMENTS

D248,493 S * 7/1978 Moncrief 601/120
D271,051 S * 10/1983 McCoy D21/679
D306,886 S * 3/1990 Shiek D21/662
D422,038 S * 3/2000 Iannetta D21/662
D445,852 S * 7/2001 Mishan D21/662
D448,851 S * 10/2001 Louis D24/211
6,328,680 B1 * 12/2001 Shifferaw A63B 21/0618
482/127
D454,929 S * 3/2002 Huang D21/662
D475,464 S * 6/2003 Chen D24/211
D477,414 S * 7/2003 Chen D24/211
7,837,603 B1 * 11/2010 Carnell, Sr. A63B 21/0004
482/132
D654,970 S * 2/2012 Daves D21/662

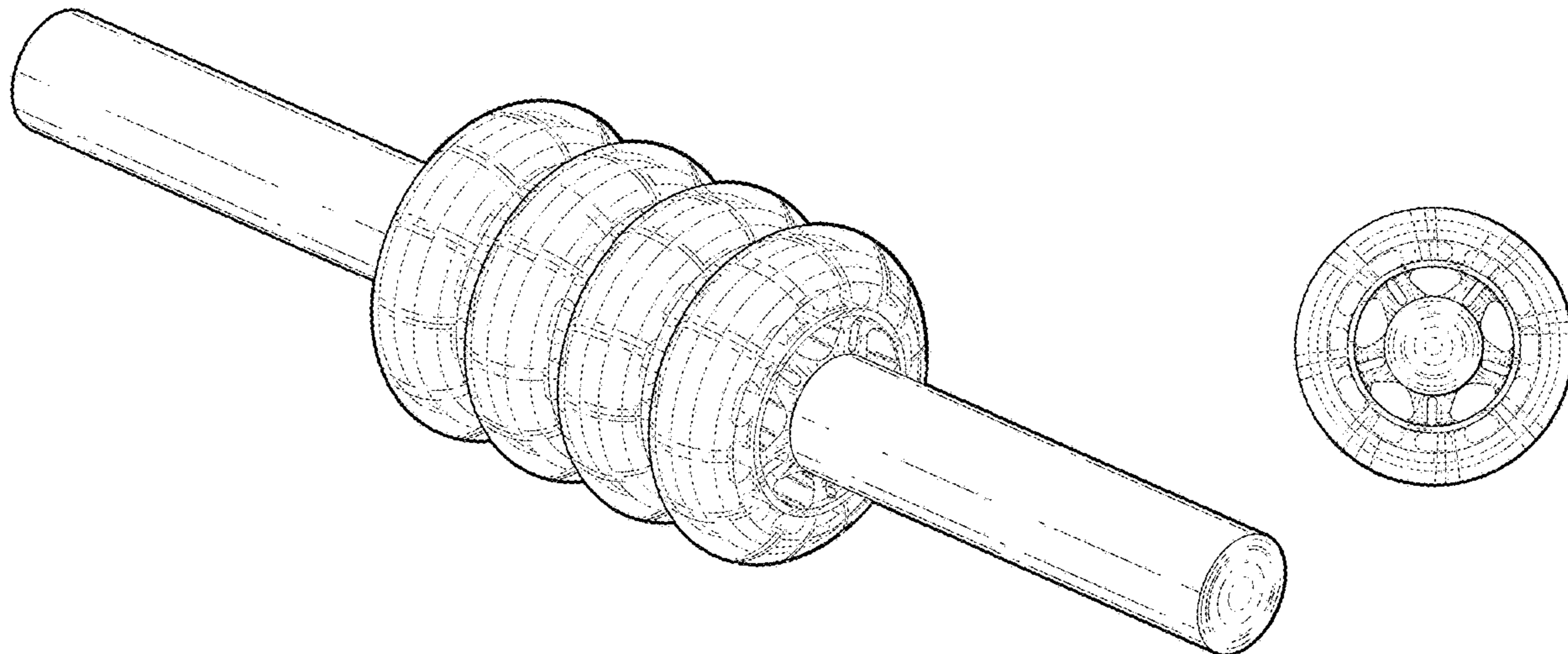
(57) **CLAIM**

The ornamental design for an exercise device, as shown and described.

DESCRIPTION

FIG. 1 is a first perspective view of an exercise device showing my new design.
FIG. 2 is a top view thereof, wherein top, bottom, front and back views are mirror images of each other; and,
FIG. 3 is a right side view thereof, with the left side view being a mirror image thereof.

1 Claim, 2 Drawing Sheets



(56)

References Cited

OTHER PUBLICATIONS

LFANH Abdominal Exercise Ab Roller Wheel: Published Dec. 4, 2019 [online], site visited Dec. 4, 2019. Available from Internet URL:https://www.amazon.co.uk/dp/B082B242NL/ref=cm_sw_r_tw_dp_U_x_I.a6DbYAB5DDF (Year: 2019).*

3 Wheels Ab Roller for Abs Workout : Published Nov. 28, 2019 [online], site visited Dec. 4, 2019. Available from Internet URL: https://www.amazon.co.uk/dp/B08243KFGF/ref=cm_sw_r_tw_dp_U_x_Xdb6DbVEP3G4Q (Year: 2019).*

“Elite Sportz Equipment Ab Wheel Rollers” Jul. 9, 2014, Amazon.com, site visited Apr. 9, 2020: https://www.amazon.com/dp/B00JZKH7K2/ref=cm_sw_r_tw_dp_U_x_rr3JEbWYMWHBD (Year: 2014).*

* cited by examiner

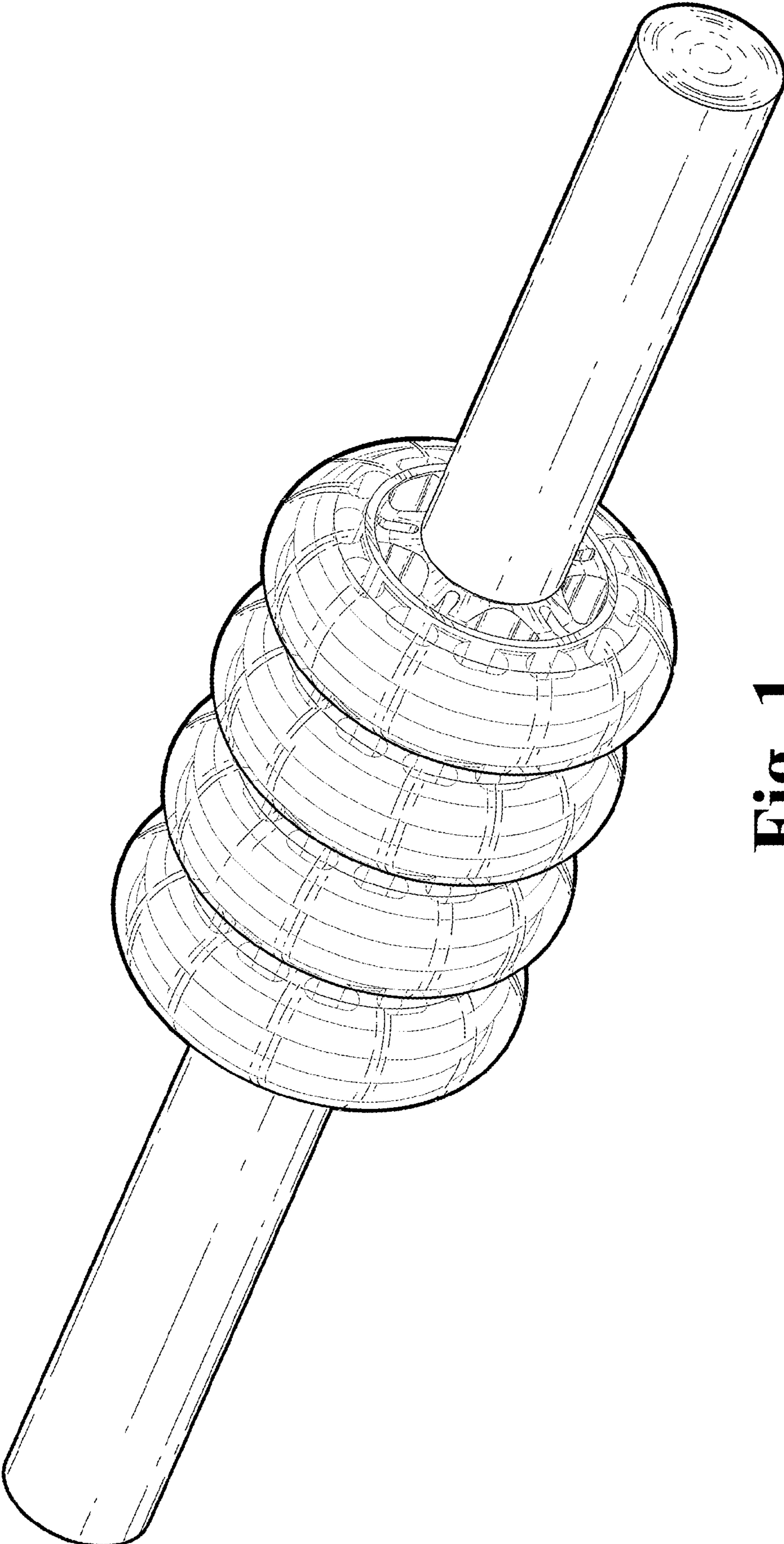


Fig. 1

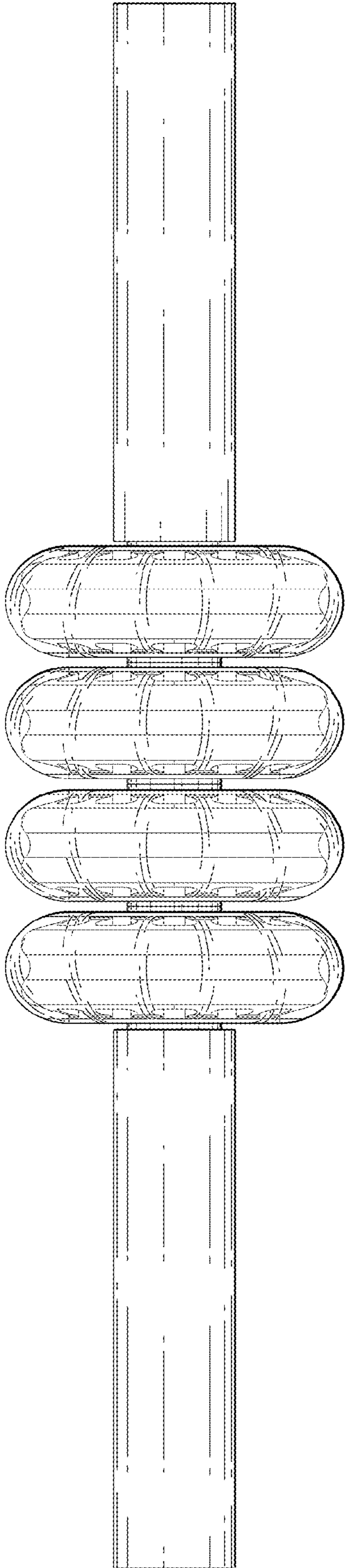


Fig. 2

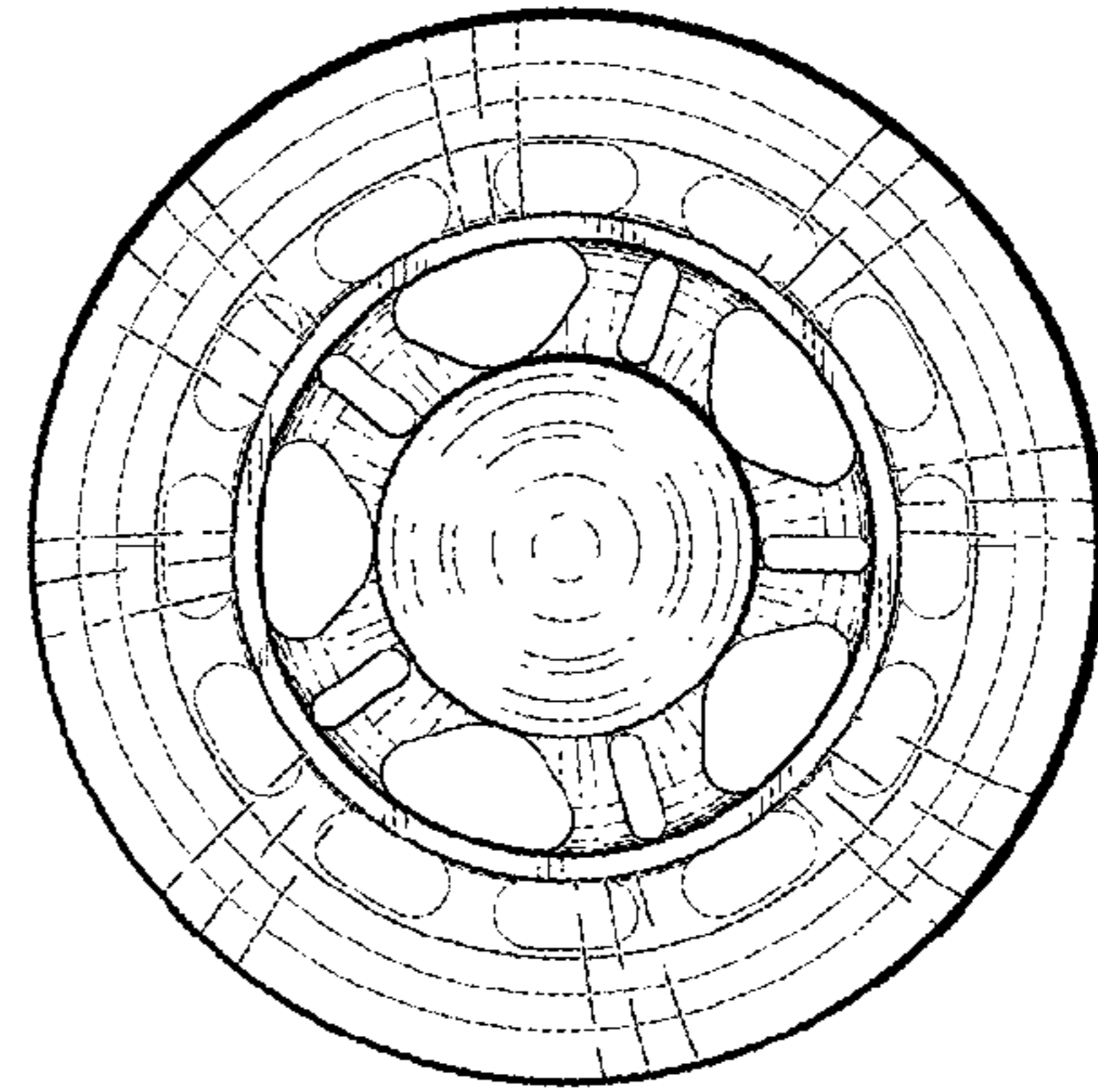


Fig. 3