

US00D890865S

(12) **United States Design Patent**
Cadiente

(10) **Patent No.:** **US D890,865 S**

(45) **Date of Patent:** **** Jul. 21, 2020**

(54) **ELF TOY**

D341,637 S * 11/1993 Kennedy D21/633
D576,219 S * 9/2008 Auberger D21/621
D576,222 S * 9/2008 Auberger D21/621

(71) Applicant: **Jackie Cadiente**, Burbank, CA (US)

* cited by examiner

(72) Inventor: **Jackie Cadiente**, Burbank, CA (US)

Primary Examiner — Zenia I Bennett

(**) Term: **15 Years**

(74) *Attorney, Agent, or Firm* — LKP Global Law, LLP

(21) Appl. No.: **29/670,942**

(57) **CLAIM**

(22) Filed: **Nov. 20, 2018**

The ornamental design for an elf toy, as shown and described.

(51) **LOC (12) Cl.** **21-01**

DESCRIPTION

(52) **U.S. Cl.**
USPC **D21/633**

(58) **Field of Classification Search**
USPC D21/621, 623, 630, 633, 645, 649
CPC A63H 3/00
See application file for complete search history.

FIG. 1 is a top perspective view of an elf toy;
FIG. 2 is a front view of the elf toy taken from FIG. 1;
FIG. 3 is a back view of the elf toy of FIG. 1;
FIG. 4 is a left view of the elf toy of FIG. 1.
FIG. 5 is a right view of the elf toy of FIG. 1;
FIG. 6 is a top view of the elf toy of FIG. 1; and,
FIG. 7 is a bottom view of the elf toy of FIG. 1.
The broken lines depicting the doll's hairline in the drawing are for illustrative purposes only and form no part of the claimed design.

(56) **References Cited**

U.S. PATENT DOCUMENTS

D311,430 S * 10/1990 Paris D21/633
D320,634 S * 10/1991 Fortune D11/144

1 Claim, 4 Drawing Sheets

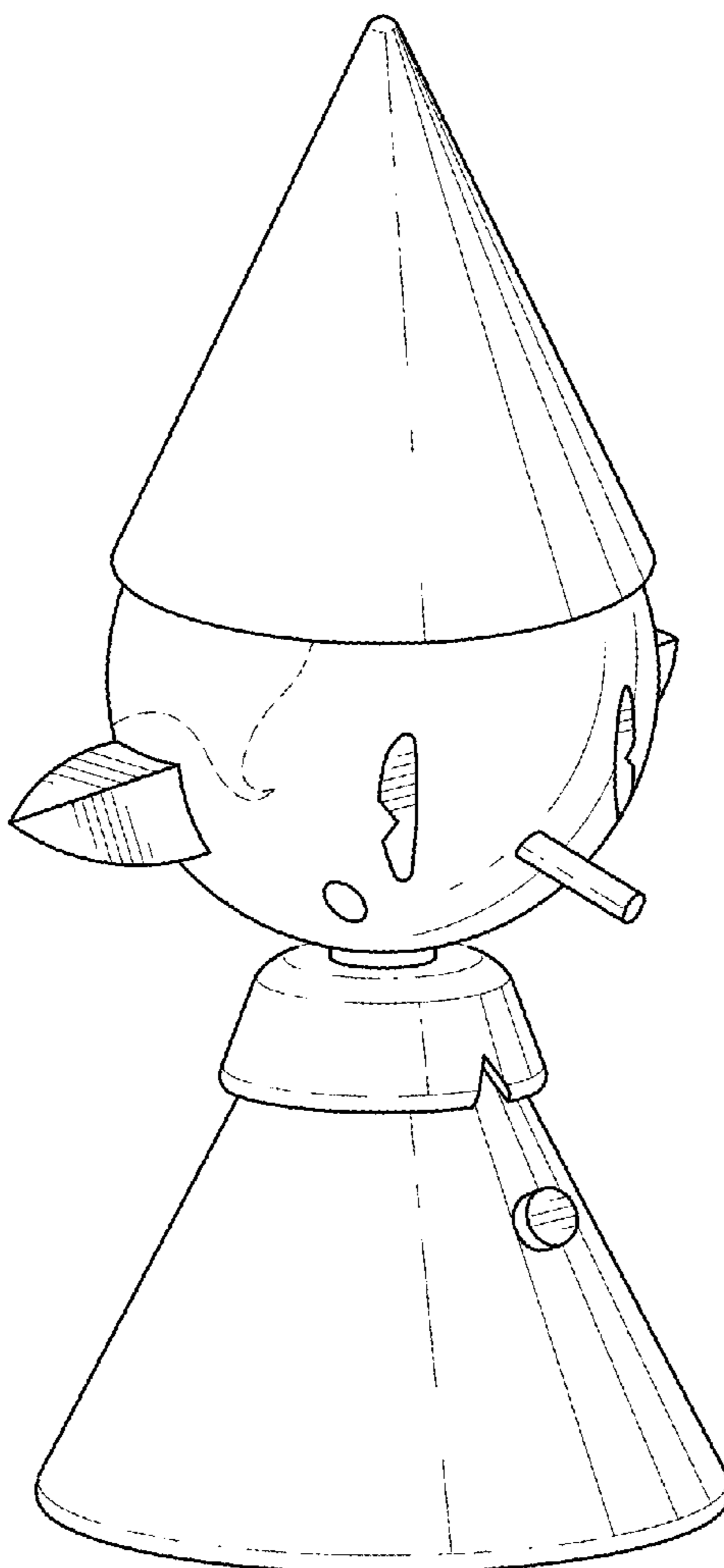
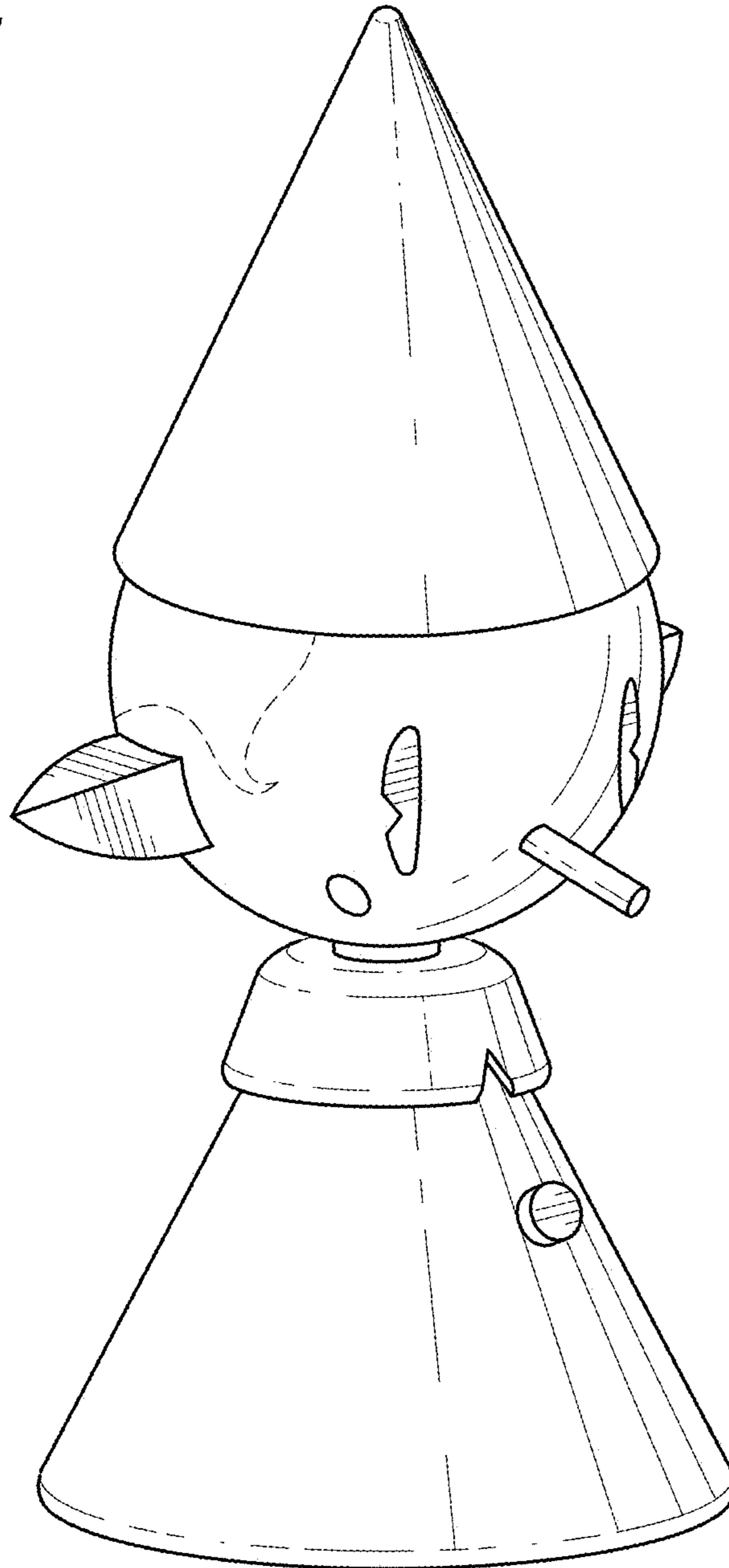


FIG. 1



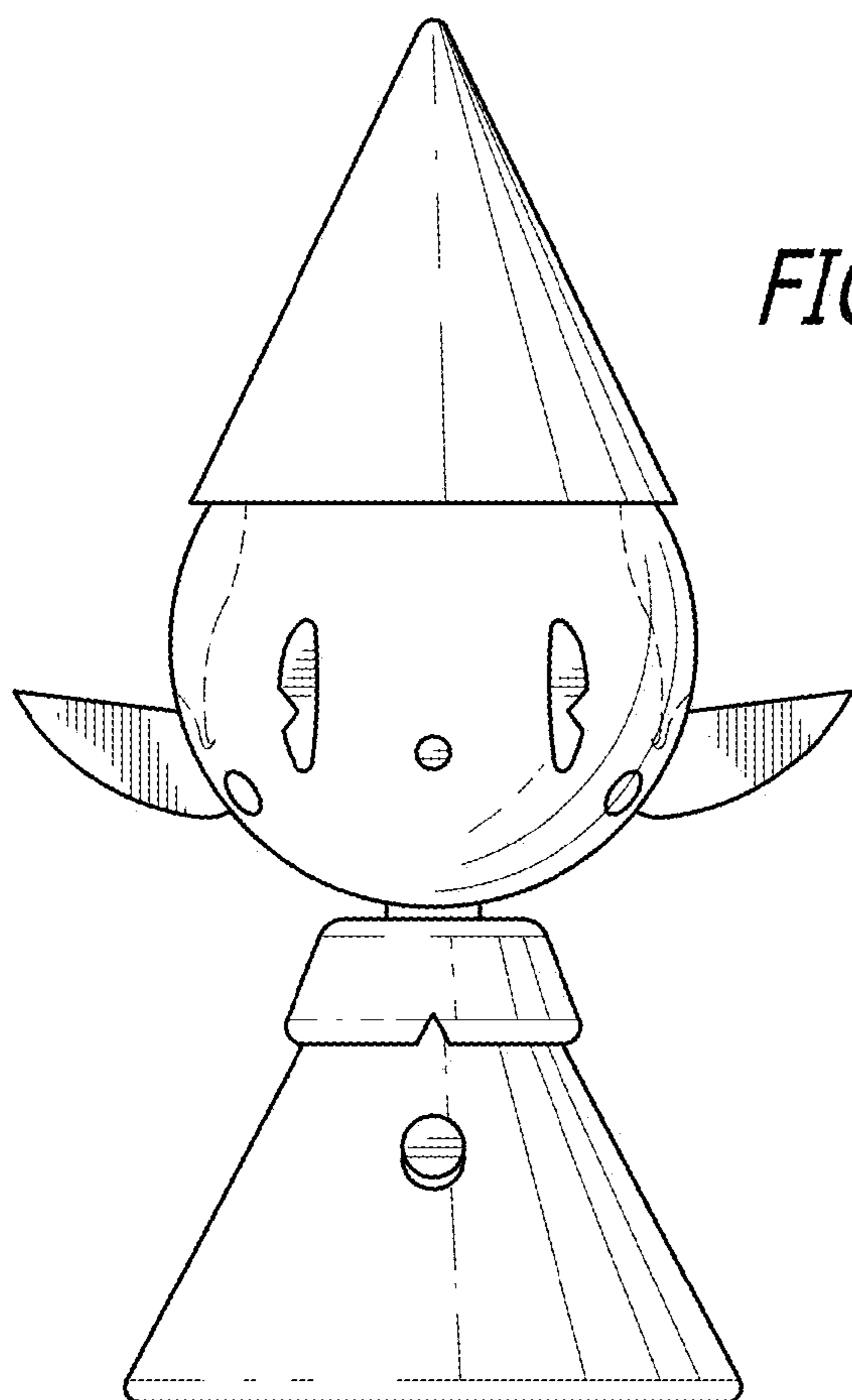


FIG. 2

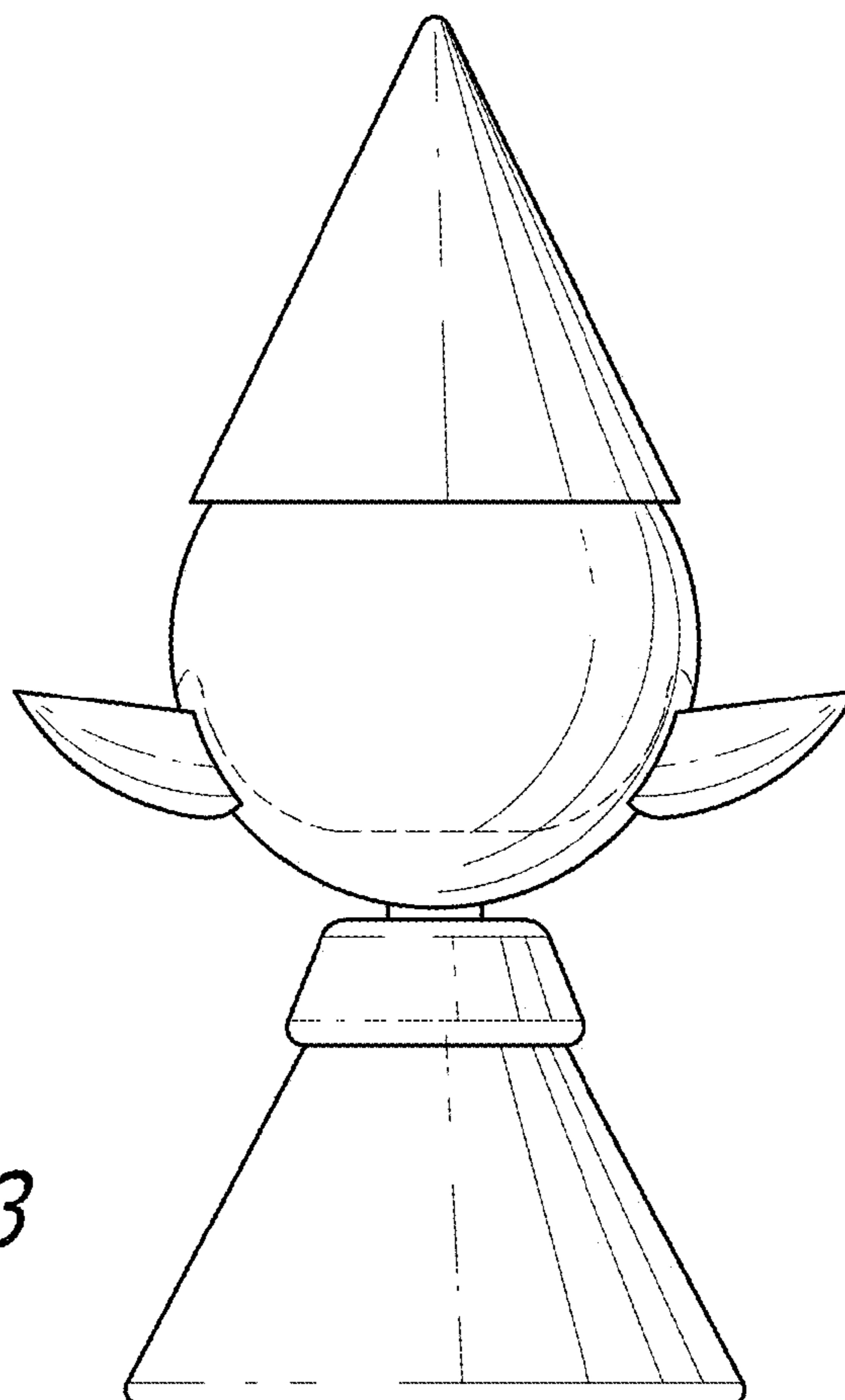


FIG. 3

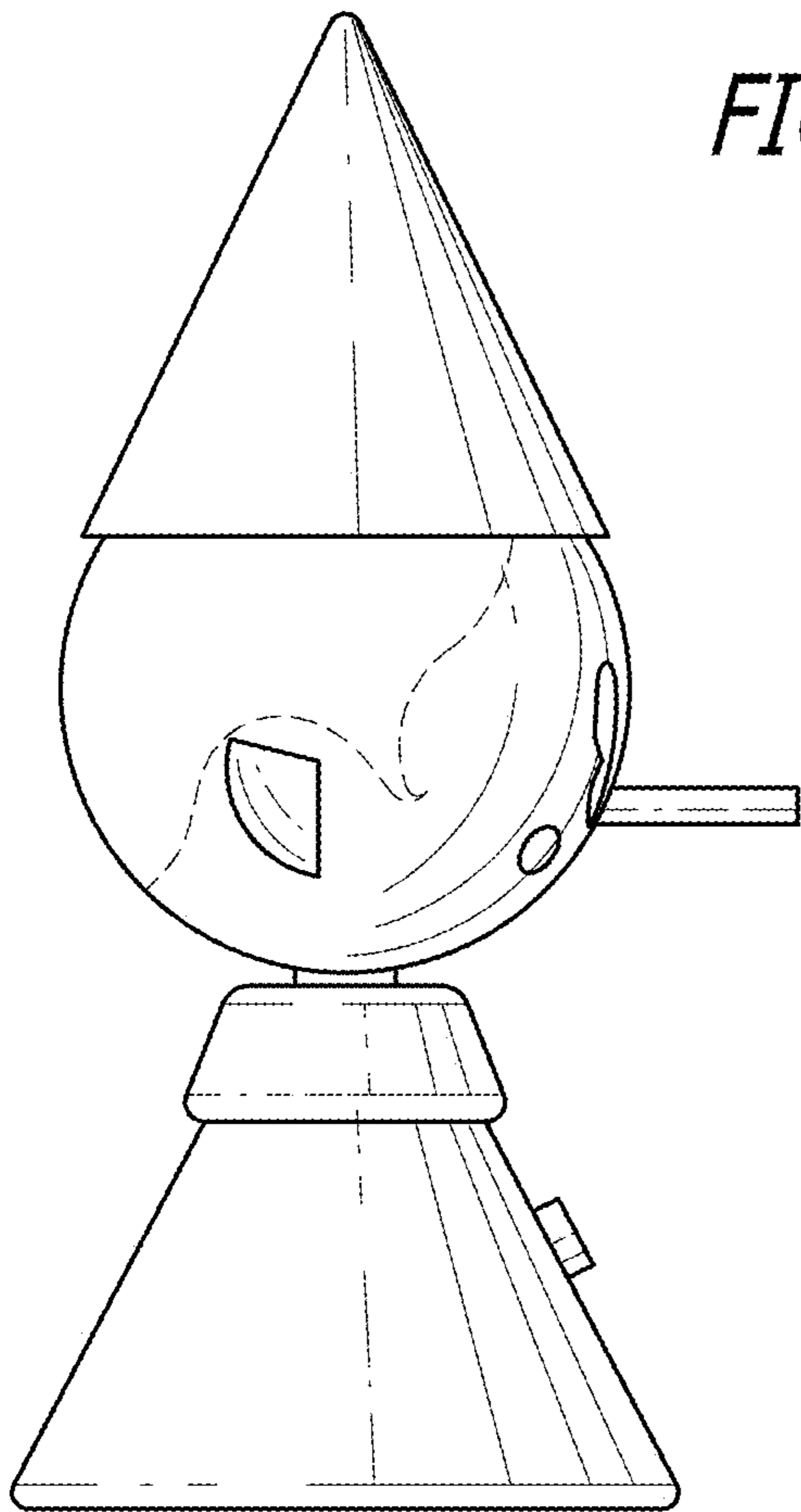


FIG. 4

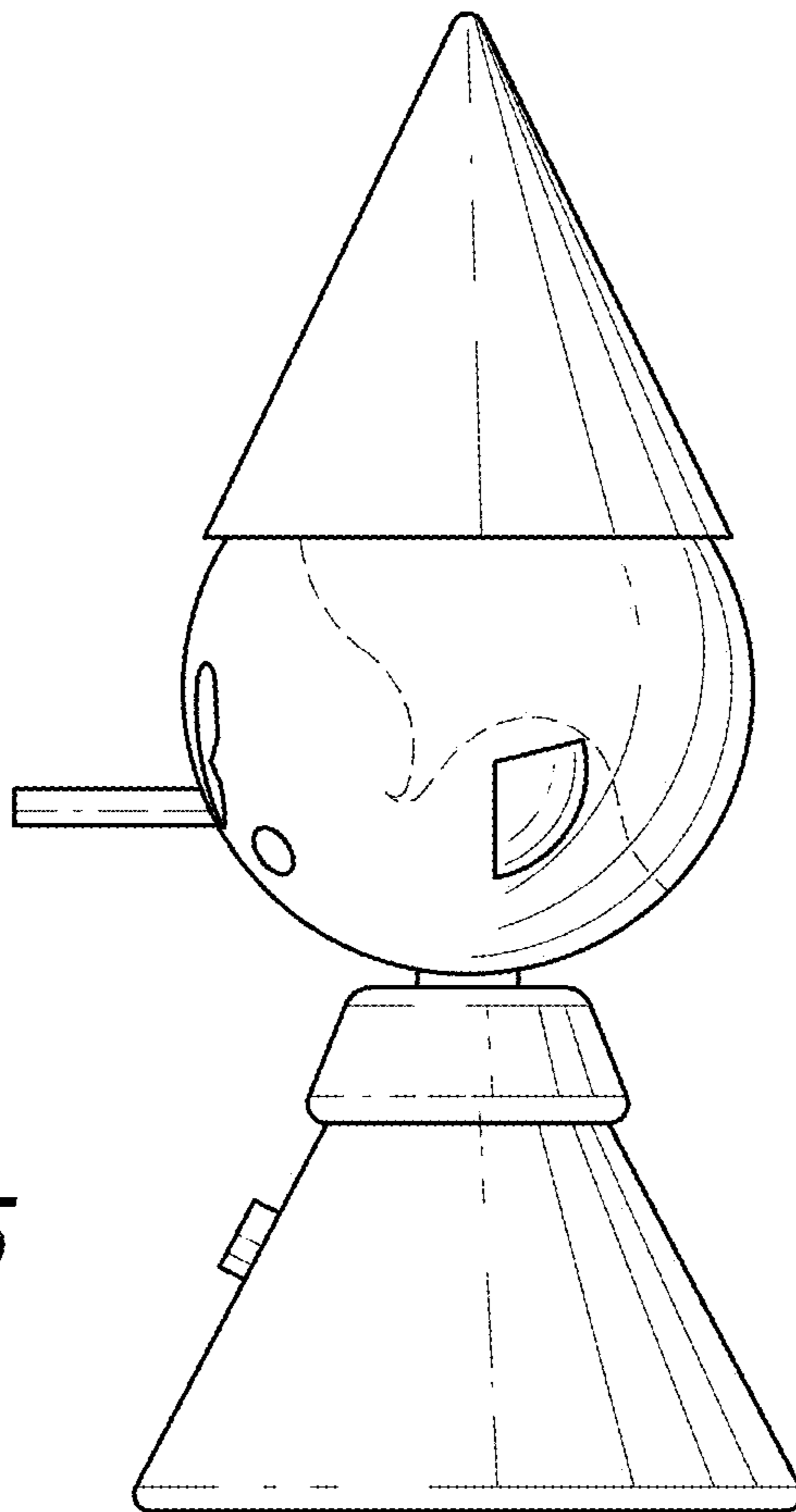


FIG. 5

FIG. 6

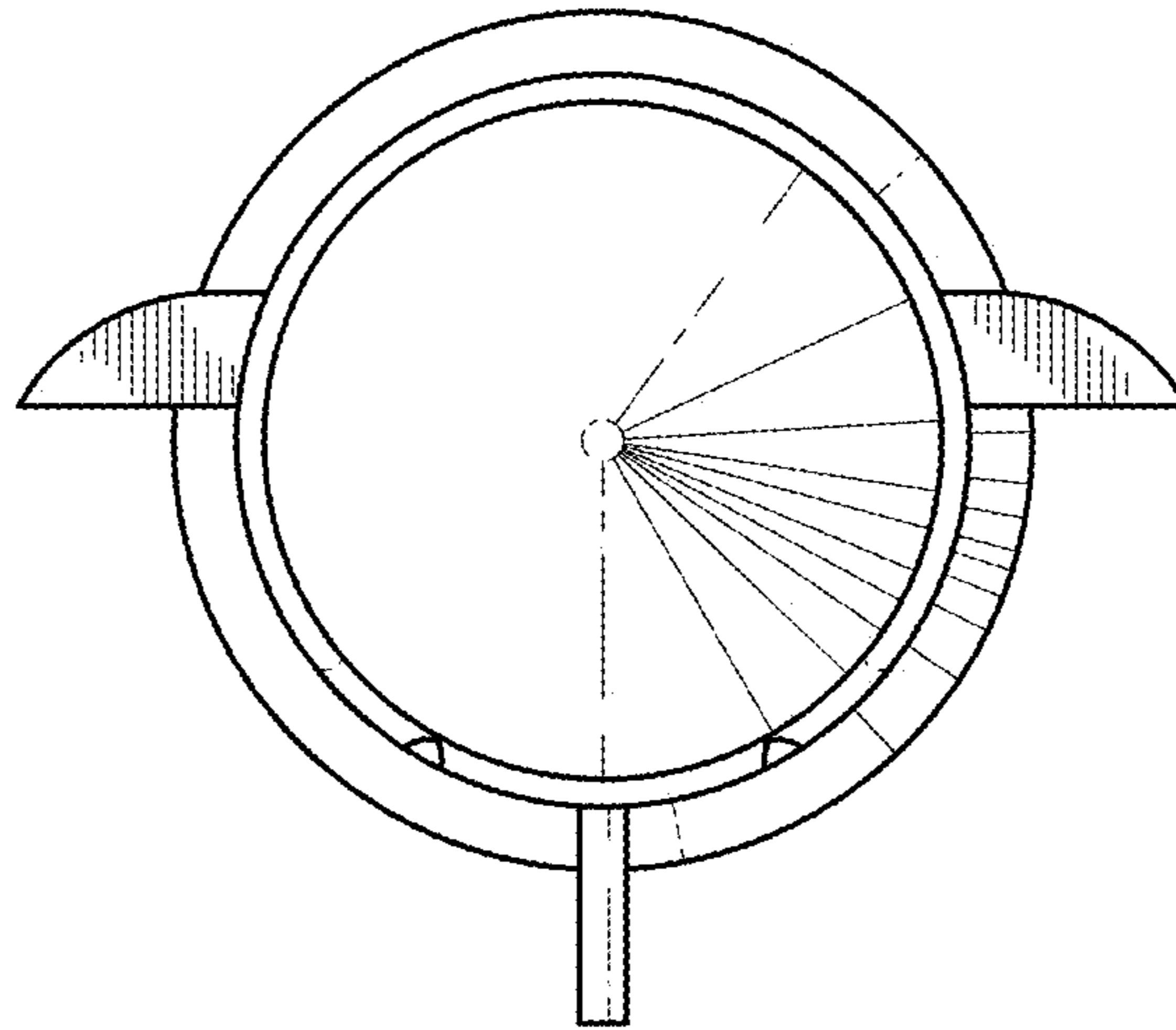


FIG. 7

