

US00D890864S

(12) **United States Design Patent**  
**Na et al.**

(10) **Patent No.:** **US D890,864 S**

(45) **Date of Patent:** **\*\* Jul. 21, 2020**

(54) **CHARACTER TOY**

(71) Applicant: **Samsung Electronics Co., Ltd.**,  
Suwon-si (KR)

(72) Inventors: **Su-Hyun Na**, Seoul (KR); **Woo-Jung Moon**, Seoul (KR); **Nam-Kyu Kim**, Seoul (KR)

(73) Assignee: **Samsung Electronics Co., Ltd.**,  
Suwon-si (KR)

(\*\*) Term: **15 Years**

(21) Appl. No.: **29/614,770**

(22) Filed: **Aug. 23, 2017**

(30) **Foreign Application Priority Data**

Mar. 24, 2017 (KR) ..... 30-2017-0013789

(51) **LOC (12) Cl.** ..... **21-02**

(52) **U.S. Cl.**  
USPC ..... **D21/630**

(58) **Field of Classification Search**  
USPC ..... D21/578–583, 621–622; D15/199;  
D16/203  
CPC ..... B25J 9/0006; B25J 9/0009; B25J 9/0003;  
B25J 9/00  
See application file for complete search history.

(56) **References Cited**

**U.S. PATENT DOCUMENTS**

D639,353 S *	6/2011	Stibolt	.....	D21/578
D649,175 S *	11/2011	Willis	.....	D16/242
D685,438 S *	7/2013	Fan	.....	D15/199
D695,345 S *	12/2013	Park	.....	D19/59
D725,167 S *	3/2015	Song	.....	D15/199
D746,886 S *	1/2016	Breazeal	.....	D15/199
D761,894 S *	7/2016	Ho	.....	D15/199
D780,855 S *	3/2017	Lambert	.....	D21/621

D781,945 S *	3/2017	Uno	.....	D15/199
D822,740 S *	7/2018	Tsai	.....	D15/199
D822,770 S *	7/2018	Hsiao	.....	D21/578
D823,917 S *	7/2018	Bernazeau	.....	D15/199
D832,907 S *	11/2018	Jeong	.....	D16/203
D836,690 S *	12/2018	Kim	.....	D15/199
D838,323 S *	1/2019	Becerra	.....	D21/578
D838,758 S *	1/2019	Kymm	.....	D15/199
D838,786 S *	1/2019	Nishimura	.....	D21/578
D846,663 S *	4/2019	Guo	.....	D21/578

(Continued)

**OTHER PUBLICATIONS**

The LG Hub Robot: Published Jan. 5, 2017[online], site visited Mar. 3, 2020. Available from Internet URL: <https://finance.yahoo.com/news/look-talking-lg-hub-robot-142530046.html> (Year: 2017).\*

(Continued)

*Primary Examiner* — Jack Reickel  
*Assistant Examiner* — Melvin L Davis  
(74) *Attorney, Agent, or Firm* — NSIP Law

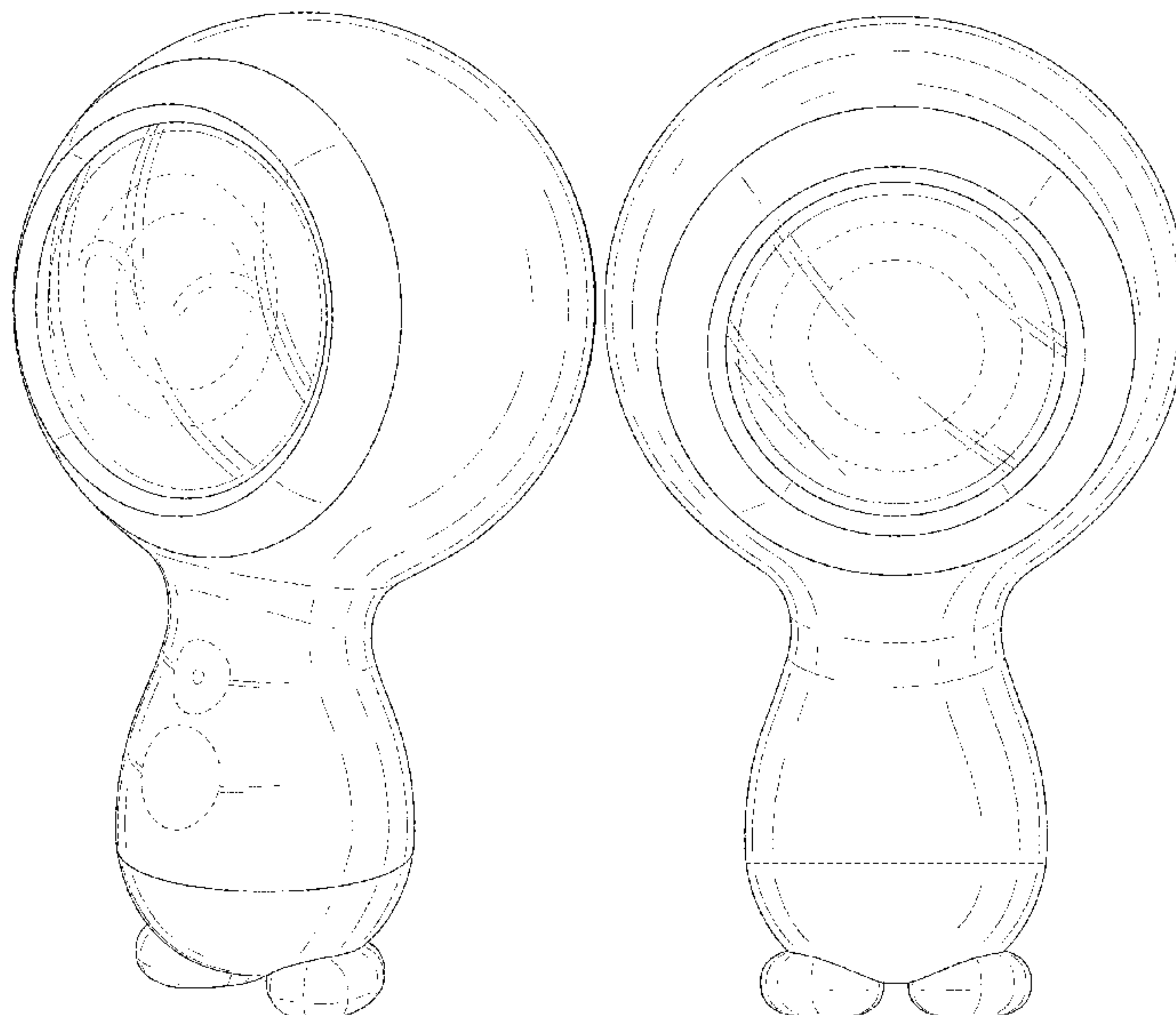
(57) **CLAIM**

We claim the ornamental design for a character toy, as shown and described.

**DESCRIPTION**

FIG. 1 is a front perspective view of a character toy showing our new design;  
FIG. 2 is a front elevational view thereof;  
FIG. 3 is a rear elevational view thereof;  
FIG. 4 is a left-side elevational view thereof;  
FIG. 5 is a right-side elevational view thereof;  
FIG. 6 is a top plan view thereof;  
FIG. 7 is a bottom plan view thereof; and,  
FIG. 8 is a rear perspective view thereof.  
The broken lines in the figures depict environmental subject matter and form no part of the claimed design.

**1 Claim, 8 Drawing Sheets**



(56)

**References Cited**

U.S. PATENT DOCUMENTS

D863,402 S \* 10/2019 Guo ..... D16/203

OTHER PUBLICATIONS

Samsung Gear 360 (2017) Review: Published Aug. 30, 2017 [online], site visited Mar. 4, 2020. Available from Internet URL: <https://www.pcmag.com/reviews/samsung-gear-360-2017> (Year: 2017).\*

SpotCam Eva review: Published Jun. 24, 2016 [online], site visited Mar. 4, 2020. Available from Internet URL: <https://www.techadvisor.co.uk/review/security-cameras/spotcam-eva-review-3642436/> (Year: 2016).\*

Samsung Gear 360 review: Published May 30, 2017 [online], site visited Mar. 4, 2020. Available from Internet URL: <https://www.digitaltrends.com/digital-camera-reviews/samsung-gear-360-review/> (Year: 2017).\*

\* cited by examiner

FIG. 1

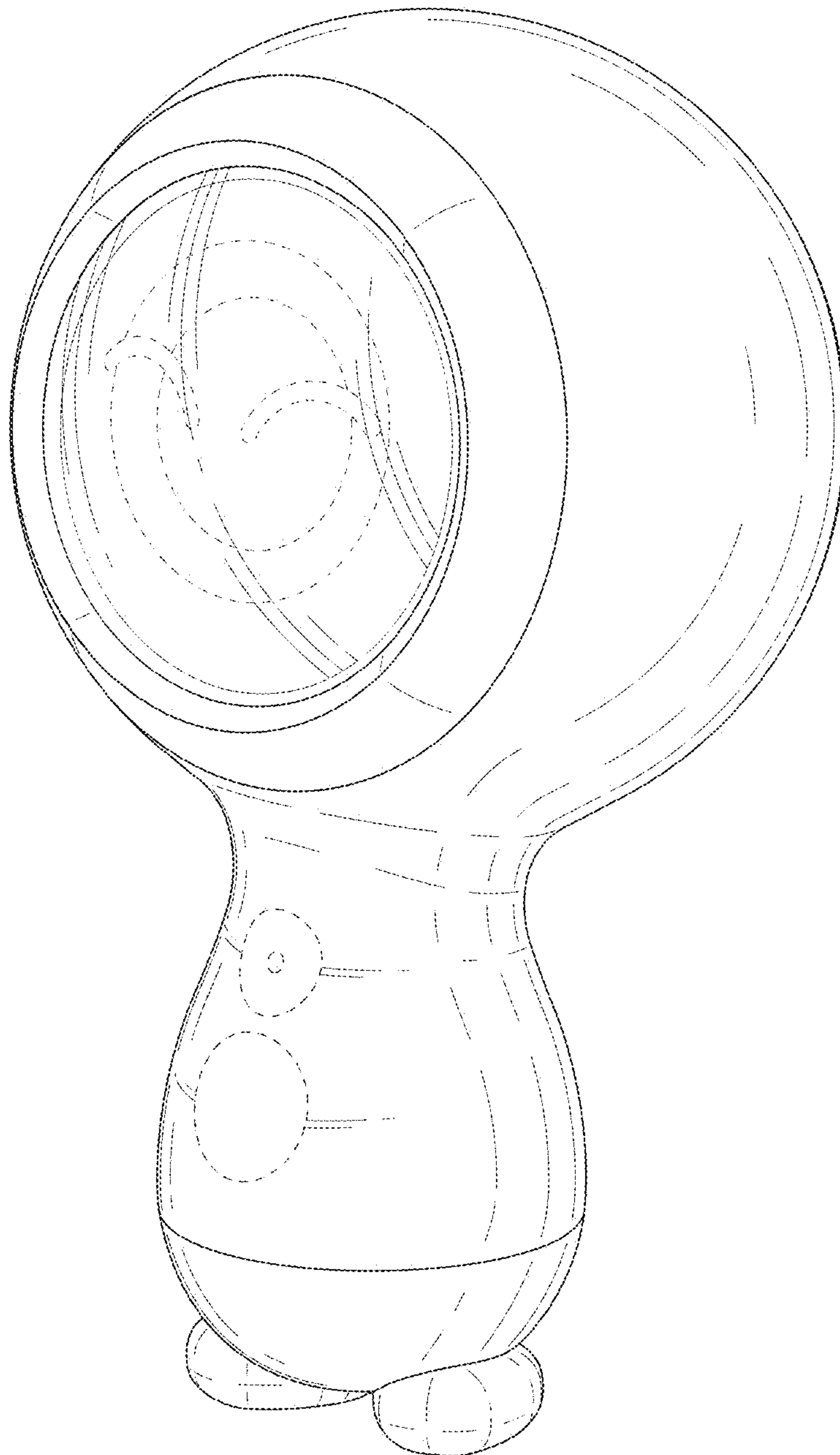


FIG. 2

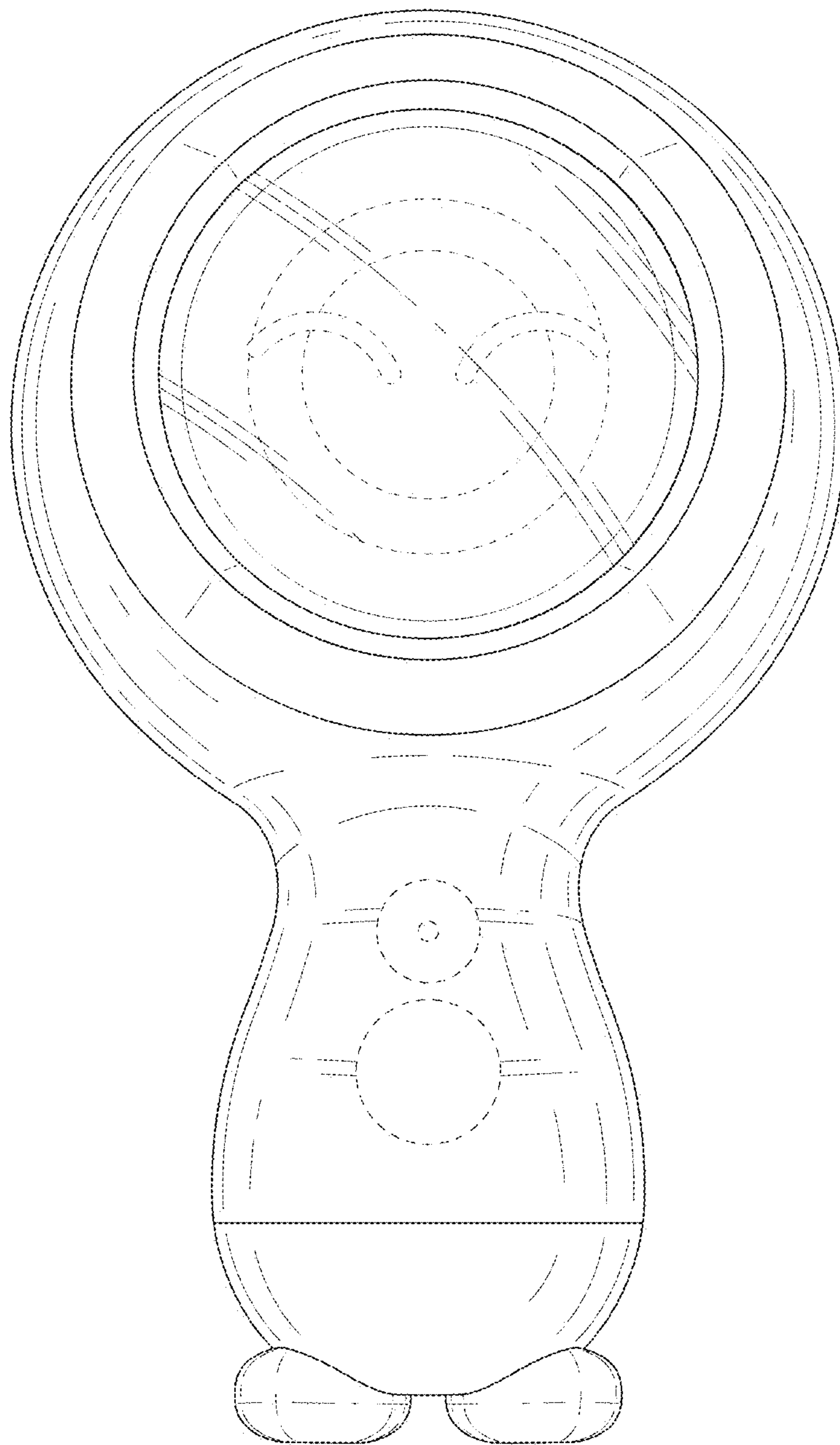


FIG. 3

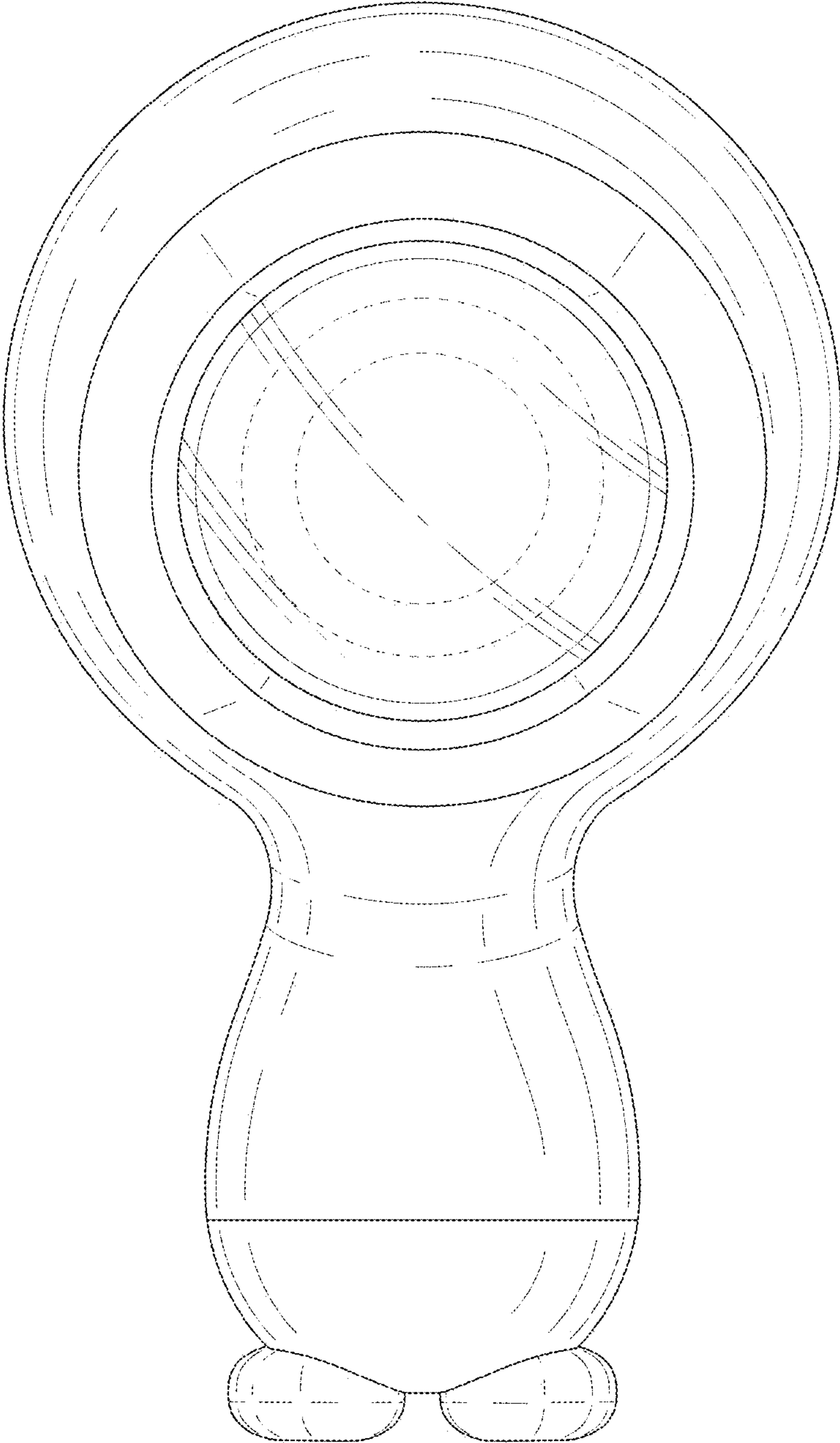




FIG. 4

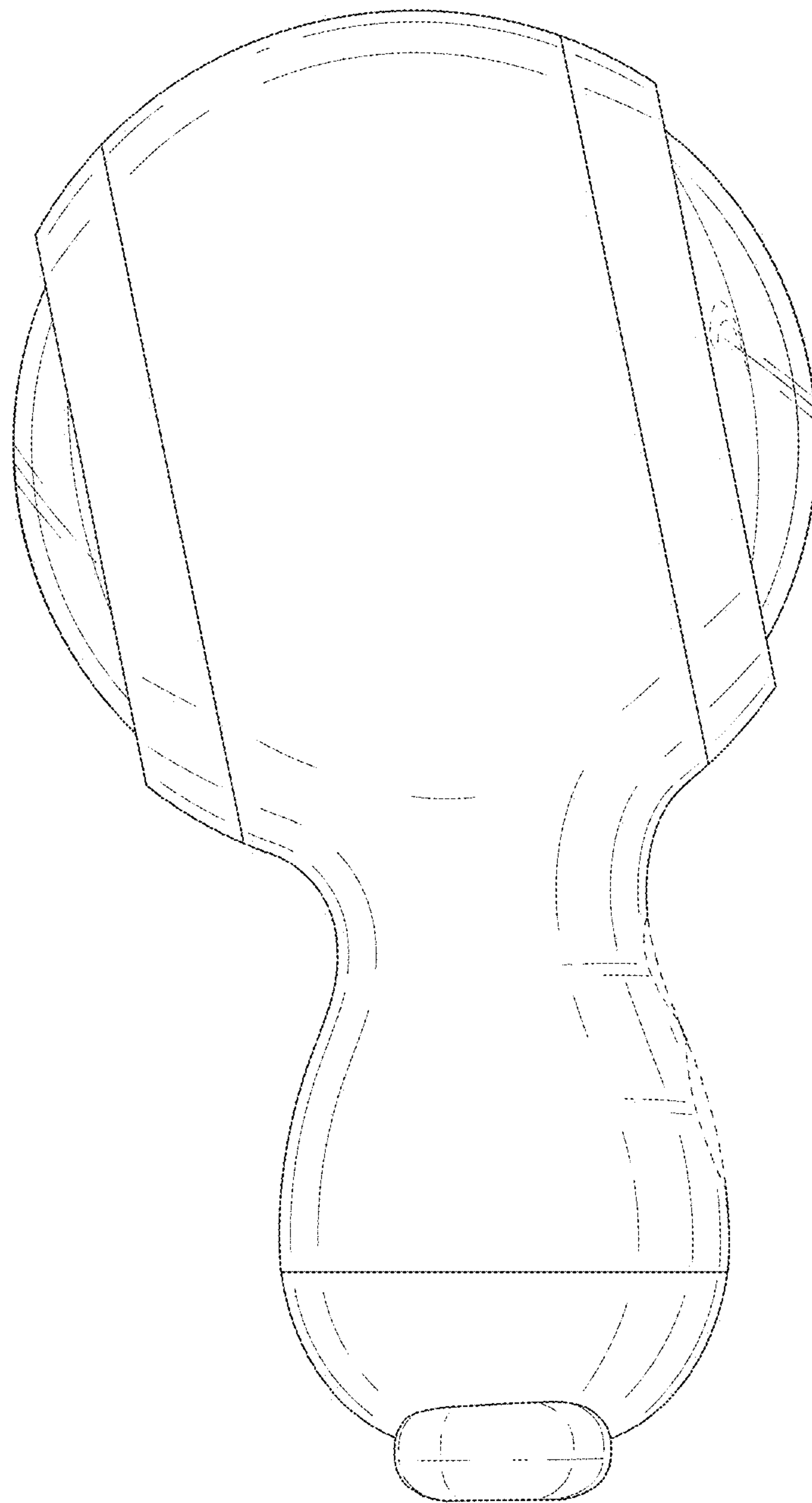


FIG. 5

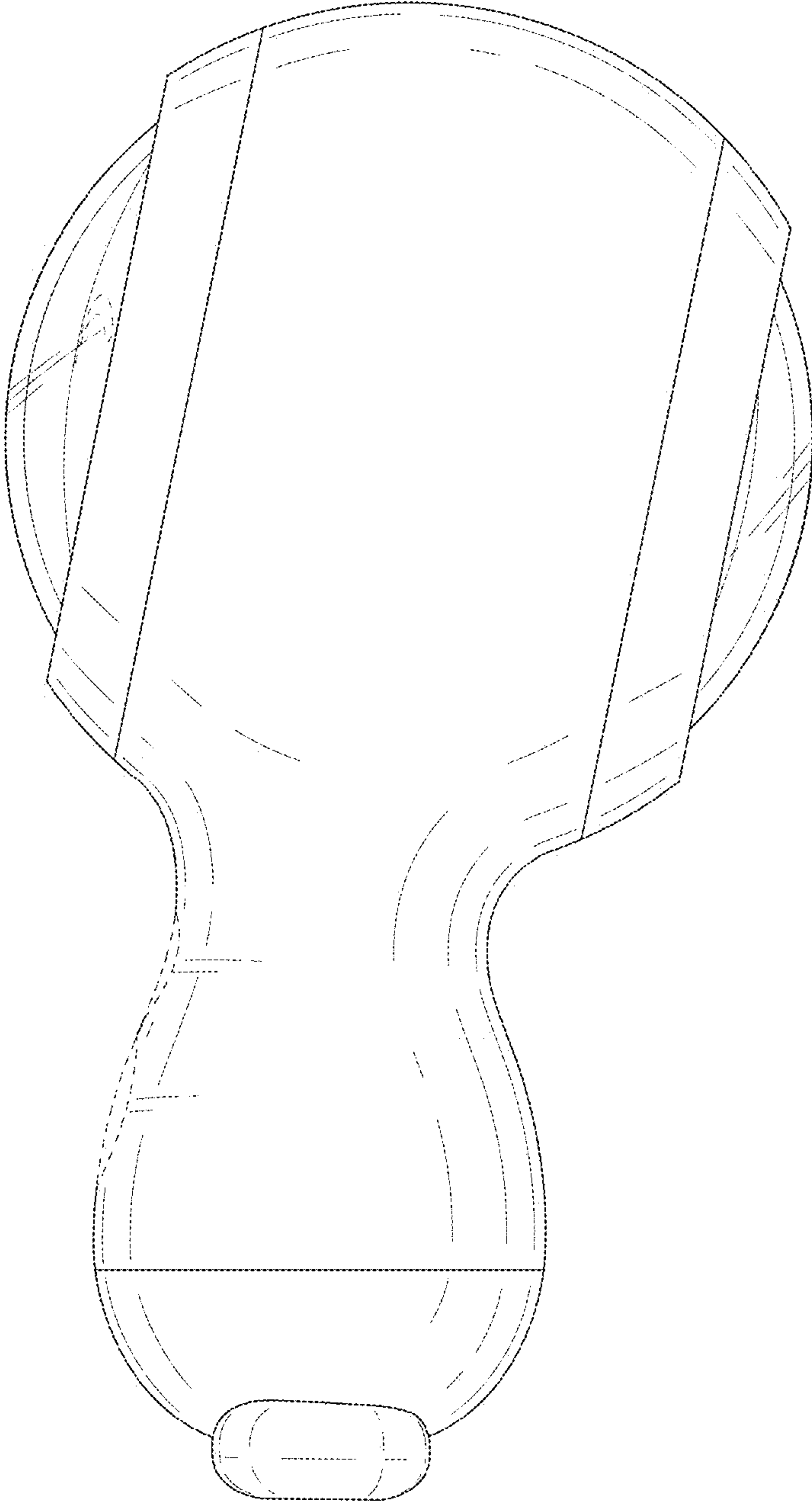


FIG. 6

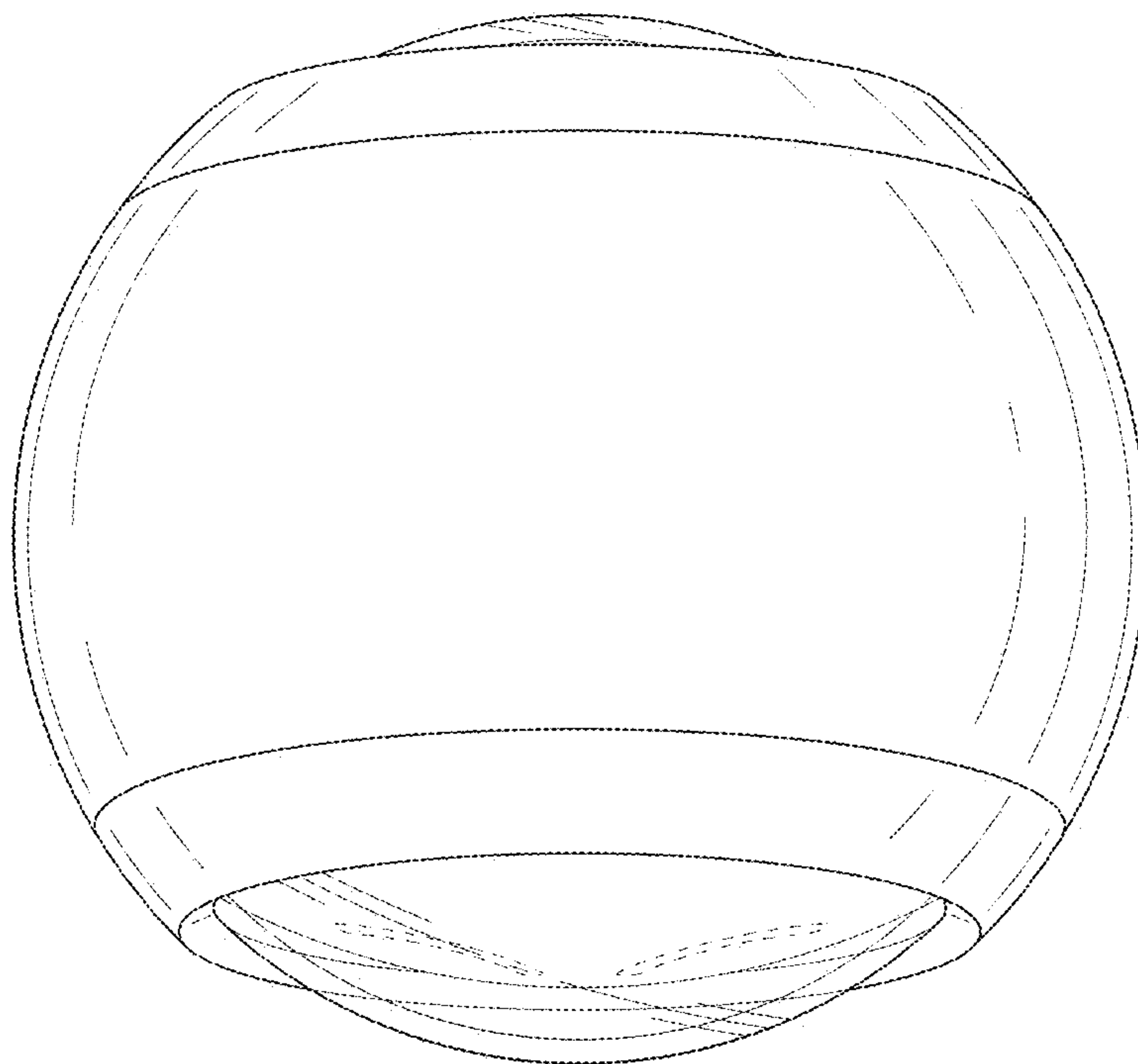




FIG. 7

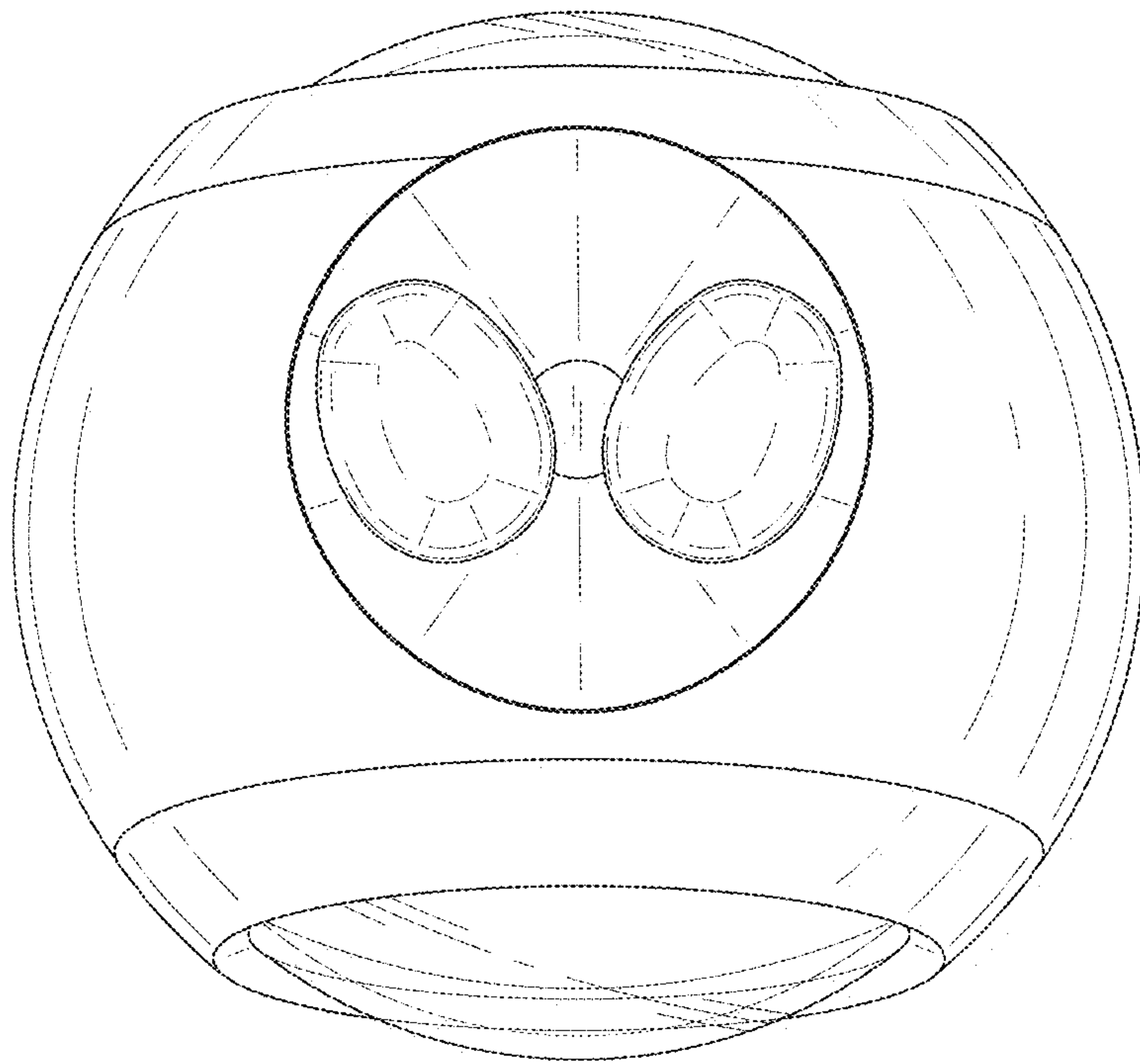


FIG. 8

