



US00D890859S

(12) **United States Design Patent**
Tearne et al.

(10) **Patent No.:** **US D890,859 S**

(45) **Date of Patent:** **** Jul. 21, 2020**

(54) **TOY MOTORCYCLE**

(71) Applicant: **SPIN MASTER LTD.**, Toronto (CA)

(72) Inventors: **Daryl R. Tearne**, Toronto (CA);
Robert M. O'Brien, Ajax (CA)

(73) Assignee: **SPIN MASTER LTD.**, Toronto (CA)

(**) Term: **15 Years**

(21) Appl. No.: **29/673,514**

(22) Filed: **Dec. 14, 2018**

(51) **LOC (12) Cl.** **21-01**

(52) **U.S. Cl.**

USPC **D21/563**; D21/538

(58) **Field of Classification Search**

USPC D21/432, 538, 563, 779; D12/110, 114,
D12/536, 537, 542

CPC A63H 17/21; A63H 17/22; A63H 17/26;
A63H 17/262

See application file for complete search history.

(56) **References Cited**

U.S. PATENT DOCUMENTS

D221,013 S *	6/1971	Golden	D12/204
D275,505 S *	9/1984	Takasaka	D21/538
D280,752 S *	9/1985	Dideriksen	D21/538
D327,103 S *	6/1992	Poulsen	D21/563
D340,757 S *	10/1993	Chen	D12/110
D412,020 S *	7/1999	McCormick	D21/488
D742,304 S *	11/2015	Ito	D12/571
D816,013 S *	4/2018	Roziere	D12/536
D820,732 S *	6/2018	Francis	D12/110

D845,217 S *	4/2019	Oki	D12/536
D845,219 S *	4/2019	Schiavolin	D12/571
D865,651 S *	11/2019	Yamazoe	D12/536
2010/0075572 A1 *	3/2010	Chen	A63H 17/21 446/440

FOREIGN PATENT DOCUMENTS

CN	2855792 Y	1/2007
CN	202448657 U	9/2012
CN	103079838 B	3/2016

* cited by examiner

Primary Examiner — Cynthia M. Chin

(74) *Attorney, Agent, or Firm* — Millman IP Inc.

(57) **CLAIM**

The ornamental design for a toy motorcycle, as shown and described.

DESCRIPTION

FIG. 1 is a perspective view from above, to the front and to one side of the new design for a toy motorcycle;

FIG. 2 is a perspective view from below, to the rear and to one side thereof;

FIG. 3 is a front view thereof;

FIG. 4 is a rear view thereof;

FIG. 5 is a right side view thereof;

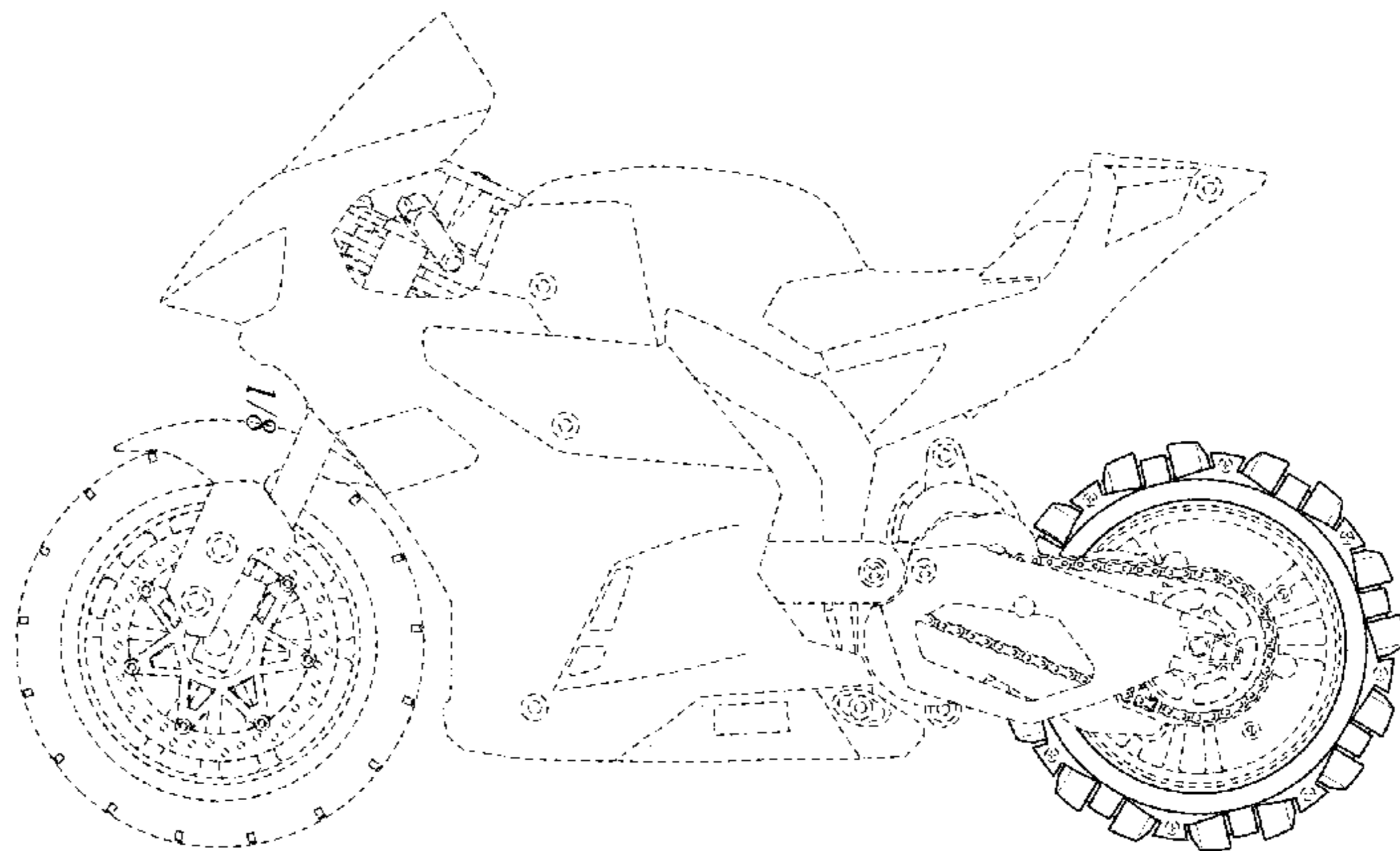
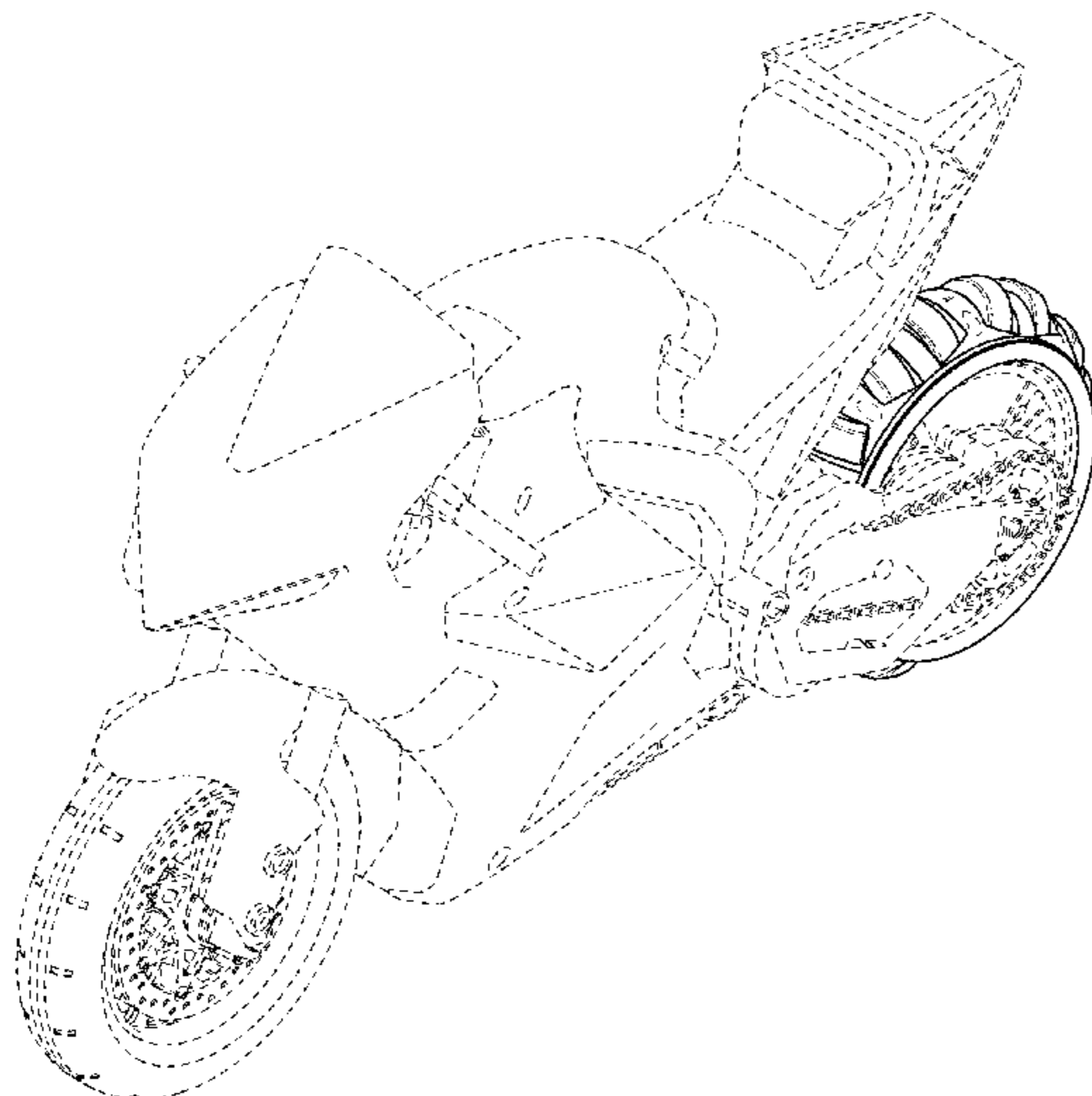
FIG. 6 is a left side view thereof;

FIG. 7 is a top plan view thereof; and,

FIG. 8 is a bottom plan view thereof.

In the drawings, the broken lines are for the purpose of illustrating portions of the article that form no part of the claim.

1 Claim, 8 Drawing Sheets



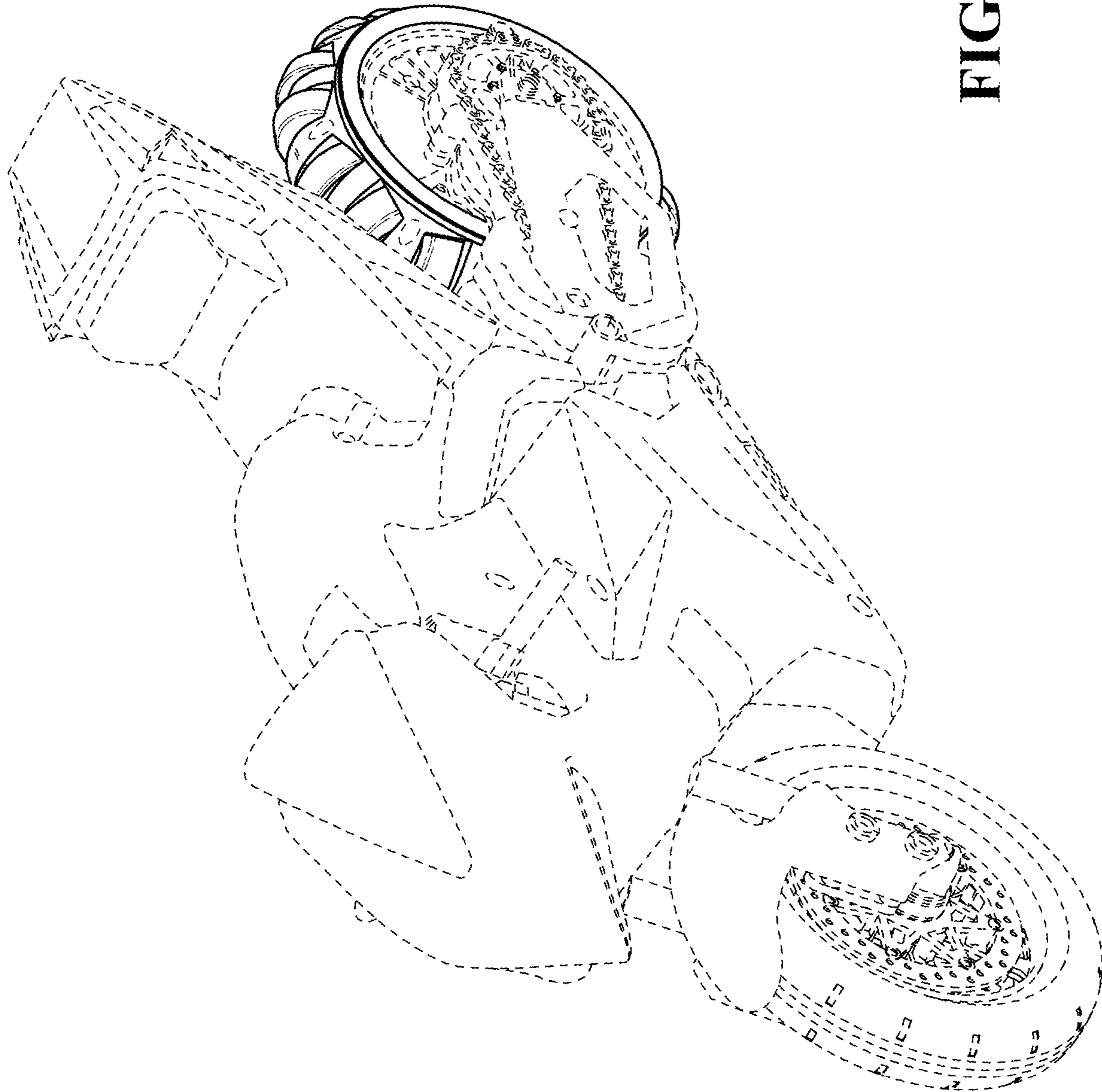


FIG. 1

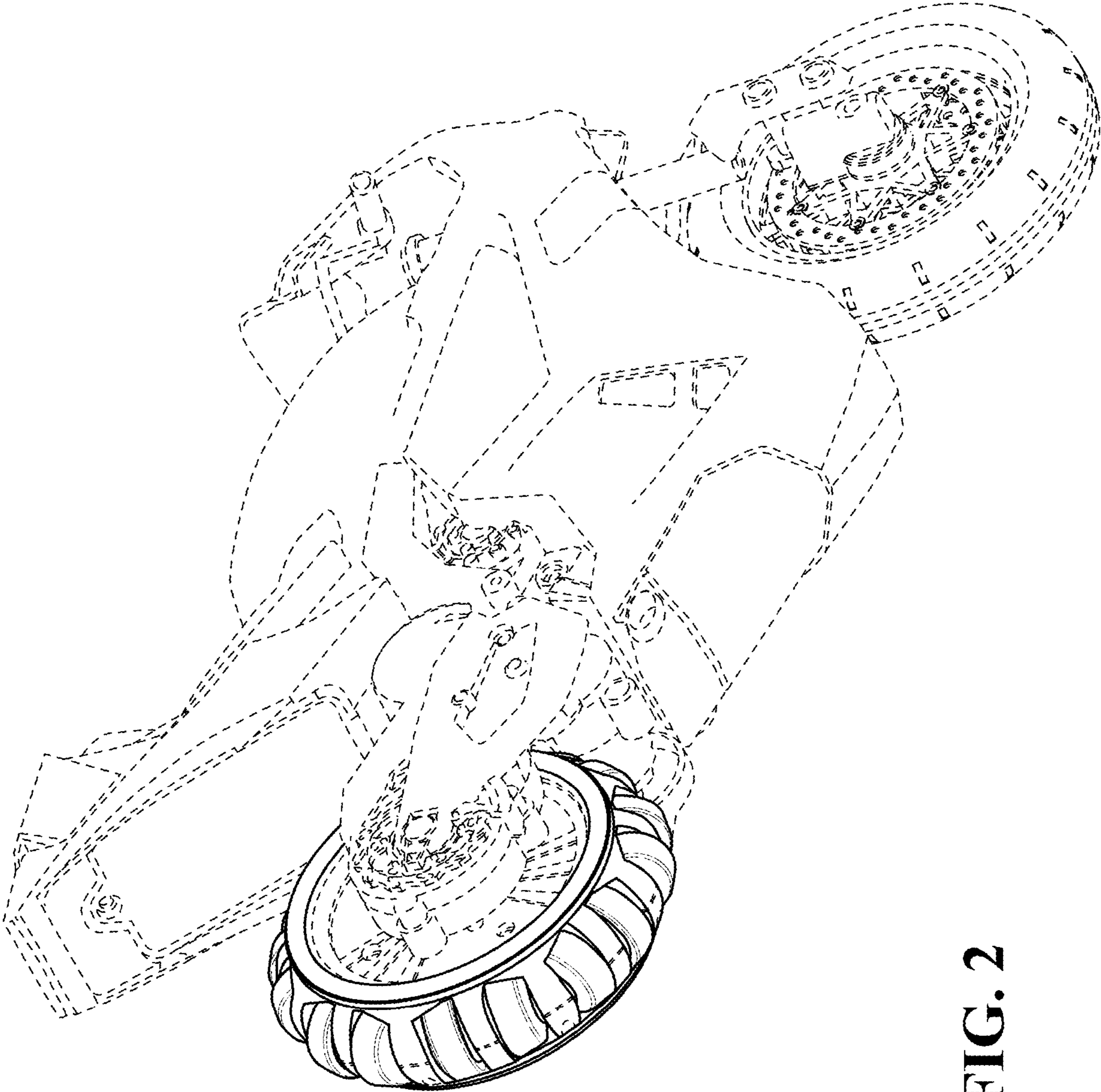


FIG. 2

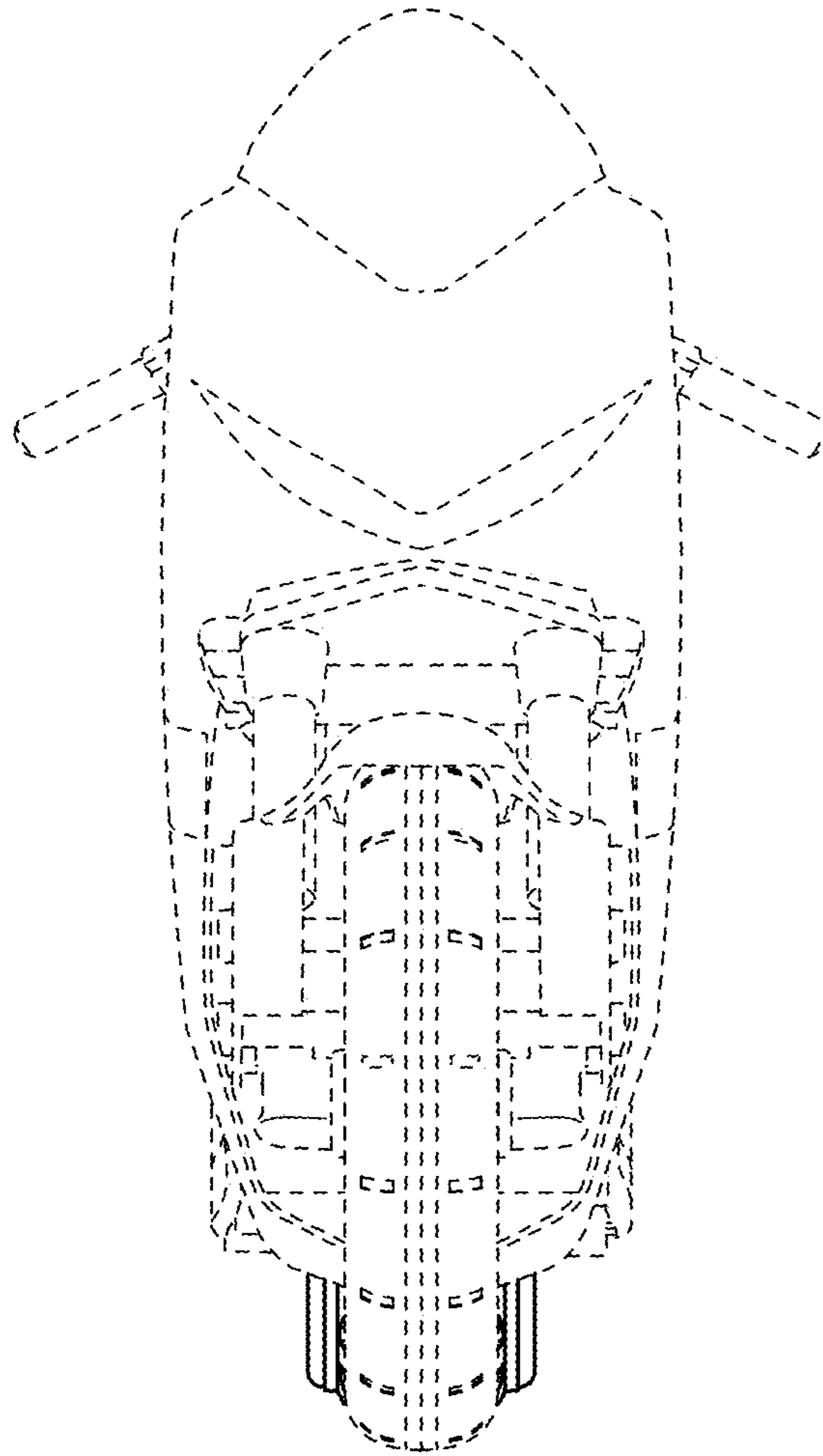


FIG. 3

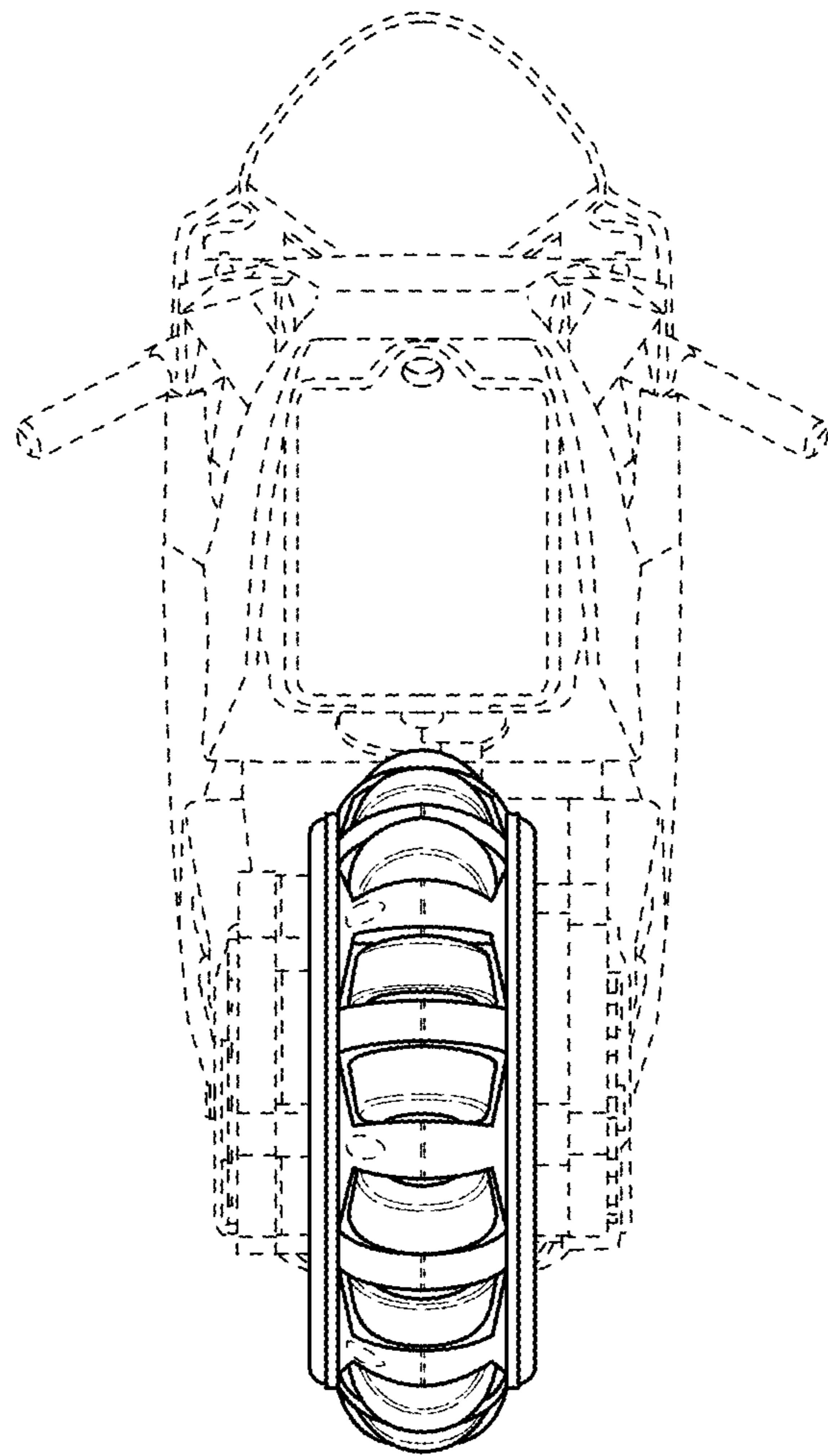


FIG. 4

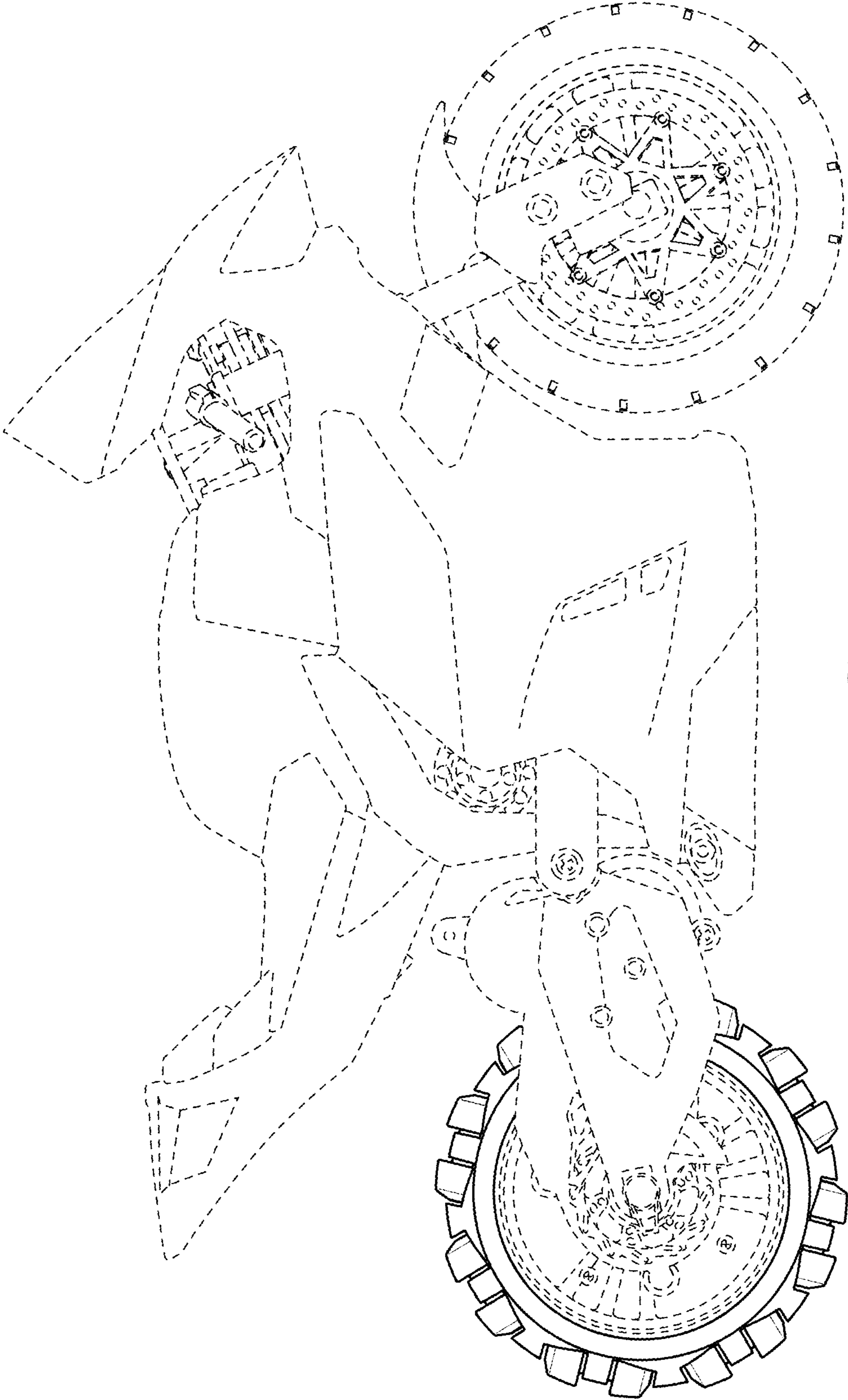


FIG. 5

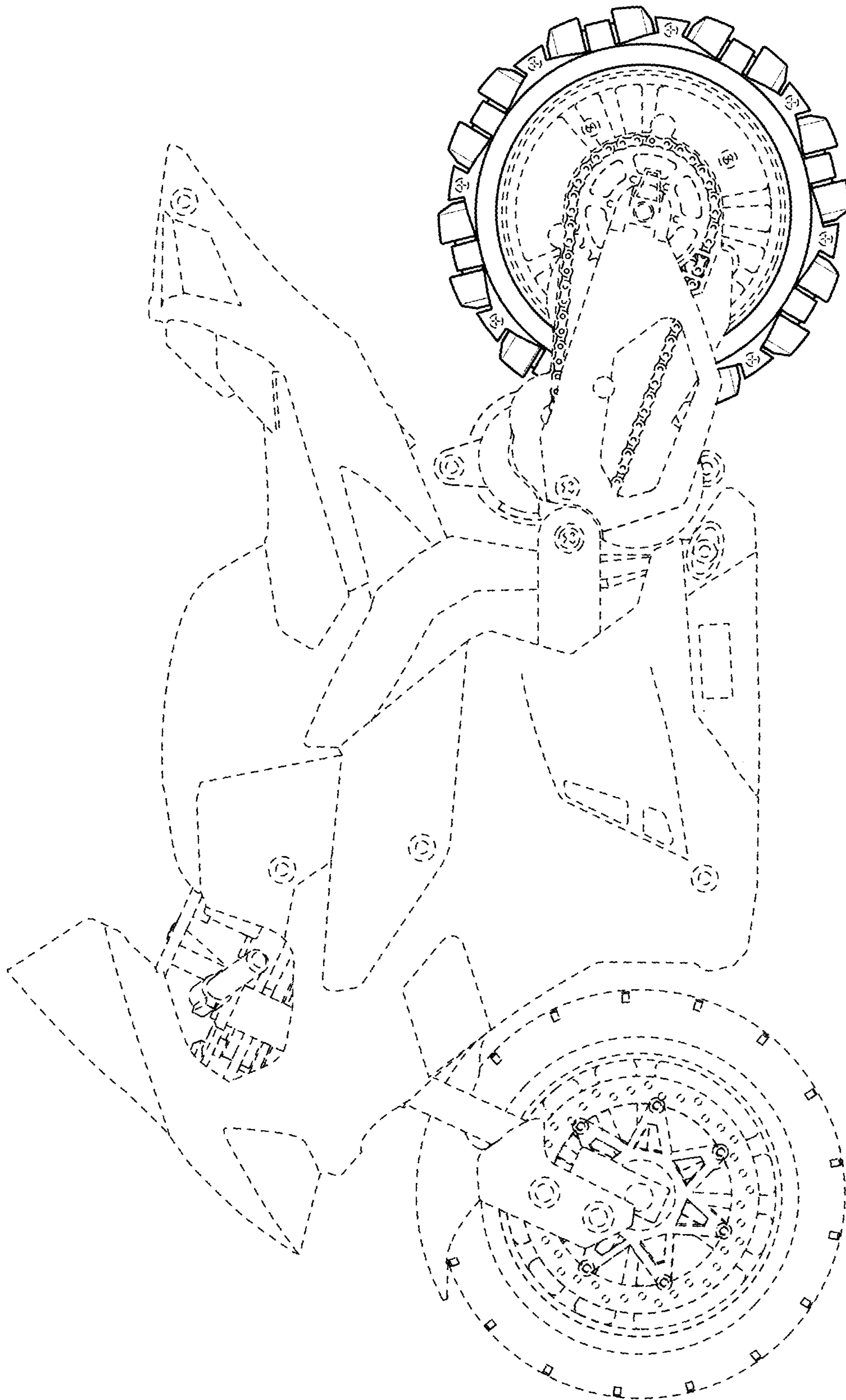


FIG. 6

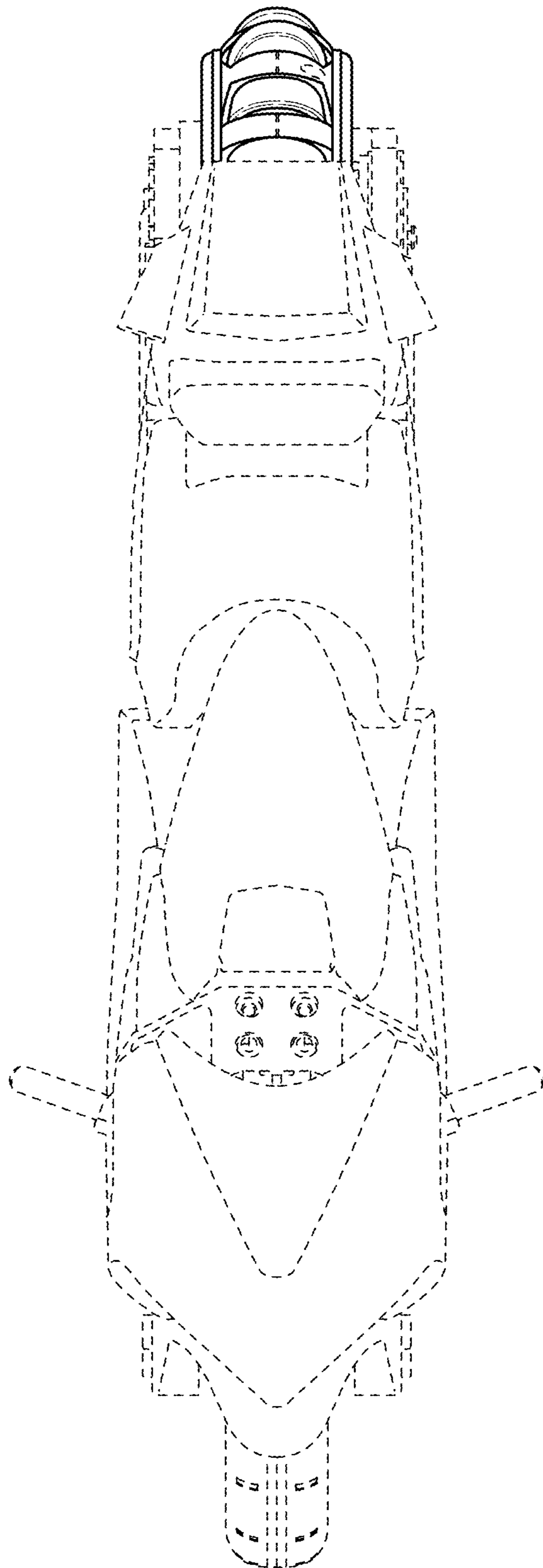


FIG. 7

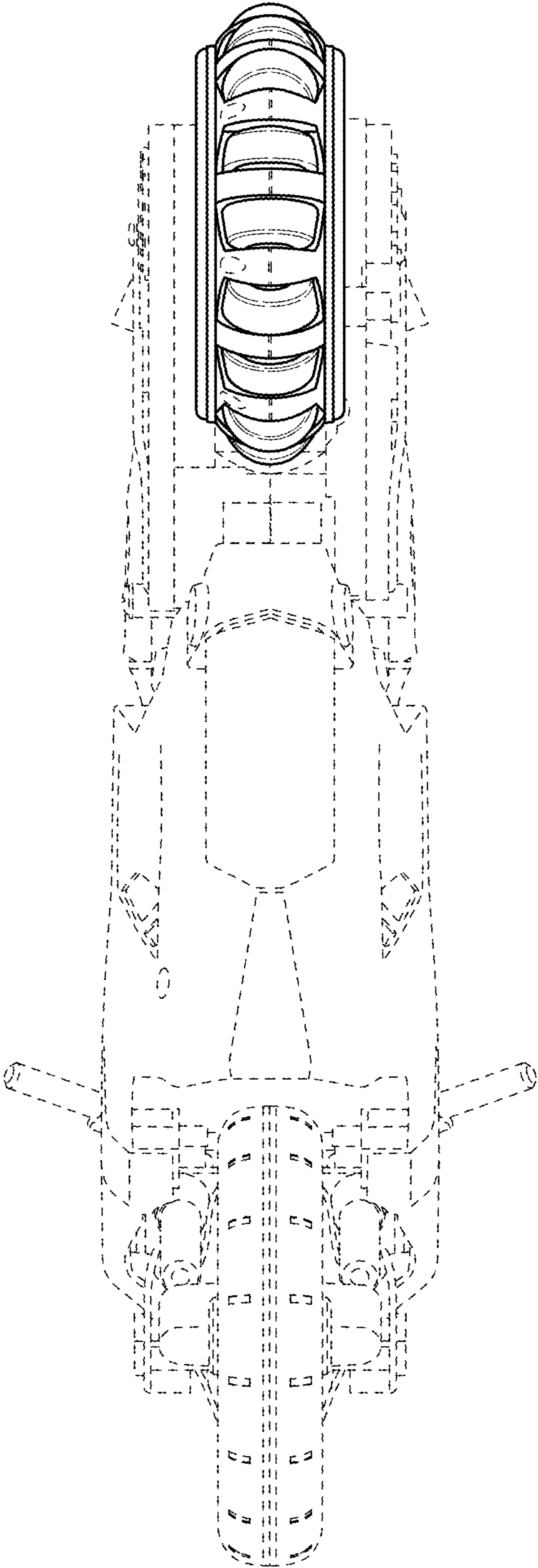


FIG. 8