



US00D890858S

(12) **United States Design Patent**
Grove

(10) **Patent No.:** **US D890,858 S**

(45) **Date of Patent:** **** Jul. 21, 2020**

(54) **BUILDING BLOCK**

(71) Applicant: **Evan B. Grove**, New York, NY (US)

(72) Inventor: **Evan B. Grove**, New York, NY (US)

(**) Term: **15 Years**

(21) Appl. No.: **29/672,799**

(22) Filed: **Dec. 10, 2018**

(51) **LOC (12) Cl.** **21-01**

(52) **U.S. Cl.**
USPC **D21/499**

(58) **Field of Classification Search**
USPC D21/478, 479, 484, 485–505
CPC A63H 33/00; A63H 33/04; A63H 33/06;
A63H 33/08; A63H 33/10; A63H 33/12;
A63H 33/14; A63F 9/0608; A63F 9/12;
G09B 1/36

See application file for complete search history.

(56) **References Cited**

U.S. PATENT DOCUMENTS

| | | | | | | |
|-----------|-----|---------|--------------|-------|-------------|---------|
| 3,005,282 | A * | 10/1961 | Christiansen | | A63H 33/086 | 446/128 |
| D279,915 | S * | 7/1985 | Arnau Pibet | | D21/500 | |
| 4,552,541 | A * | 11/1985 | Bolli | | A63H 33/042 | 446/91 |
| D285,813 | S * | 9/1986 | Takahashi | | D21/501 | |
| D368,497 | S * | 4/1996 | Schmidt | | D21/501 | |
| D368,939 | S * | 4/1996 | Frederiksen | | D21/500 | |
| D378,837 | S * | 4/1997 | Olsen | | D21/500 | |
| D378,838 | S * | 4/1997 | Olsen | | D21/486 | |

| | | | | | |
|-----------|------|---------|-----------|-------|-------------|
| D696,360 | S | 12/2013 | Holm | | |
| D701,925 | S | 4/2014 | Jensen | | |
| D707,756 | S | 6/2014 | Jensen | | |
| D714,401 | S * | 9/2014 | Lin | | D21/499 |
| 8,905,812 | B2 * | 12/2014 | Pai-Chen | | A63H 33/107 |
| | | | | | 446/122 |
| D749,680 | S * | 2/2016 | Lin | | D21/499 |
| D757,862 | S | 5/2016 | Ryaa | | |
| D771,200 | S | 11/2016 | Ryaa | | |
| D806,181 | S | 12/2017 | Johannsen | | |
| D818,056 | S * | 5/2018 | Lo | | D21/499 |
| D849,853 | S * | 5/2019 | Chen | | D21/499 |

* cited by examiner

Primary Examiner — Cynthia M. Chin

(74) *Attorney, Agent, or Firm* — John H. Choi & Associates

(57) **CLAIM**

The ornamental design for a building block, as shown and described.

DESCRIPTION

FIG. 1 is a top perspective view of the building block of the present invention.

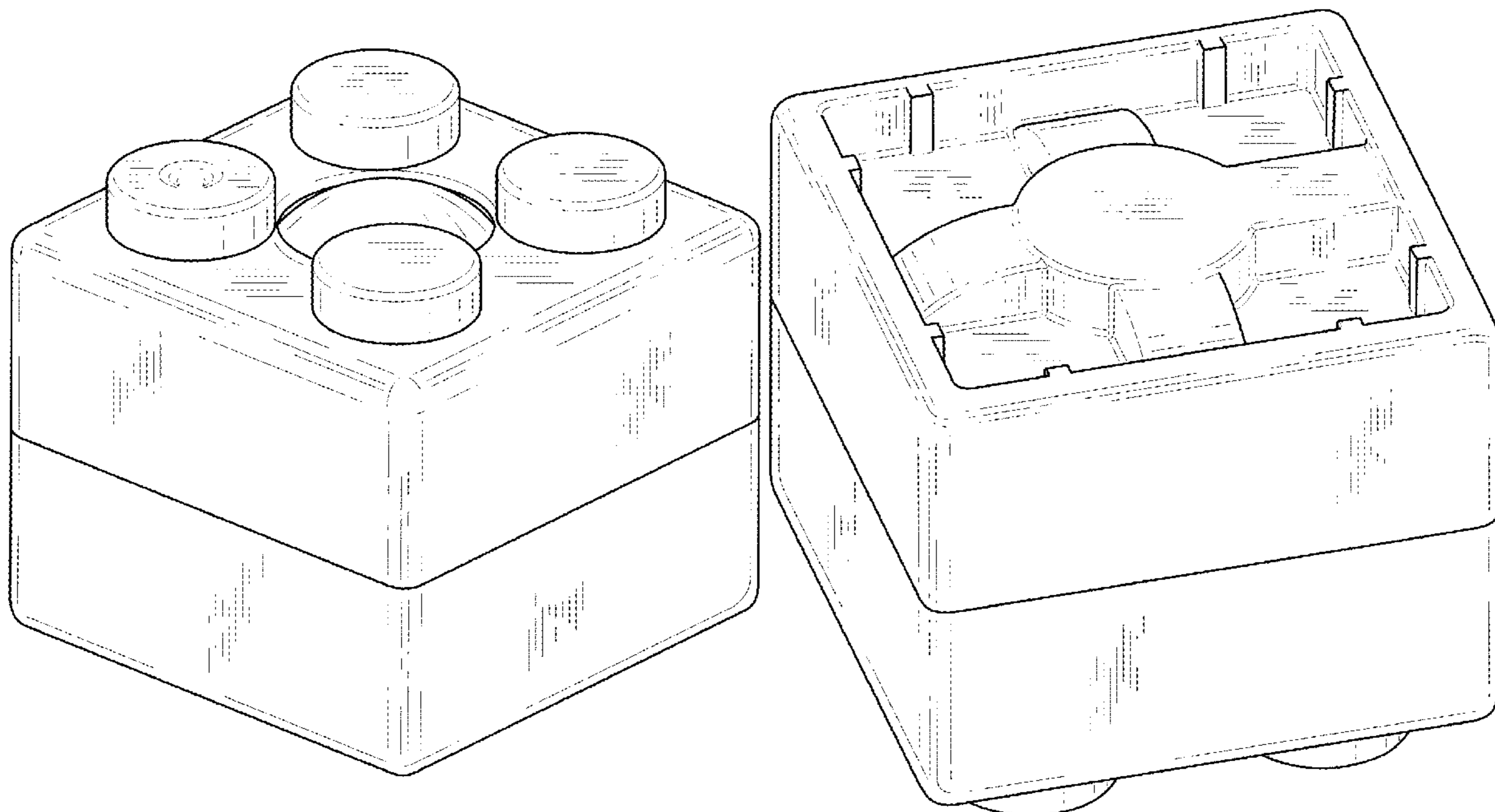
FIG. 2 is a bottom perspective view of the building block shown in FIG. 1.

FIG. 3 is a top plan view of the building block shown in FIG. 1.

FIG. 4 is a bottom plan view of the building block shown in FIG. 1; and,

FIG. 5 is a front plan view of the building block in FIG. 1, with rear, left side, and right side plan views being identical.

1 Claim, 5 Drawing Sheets



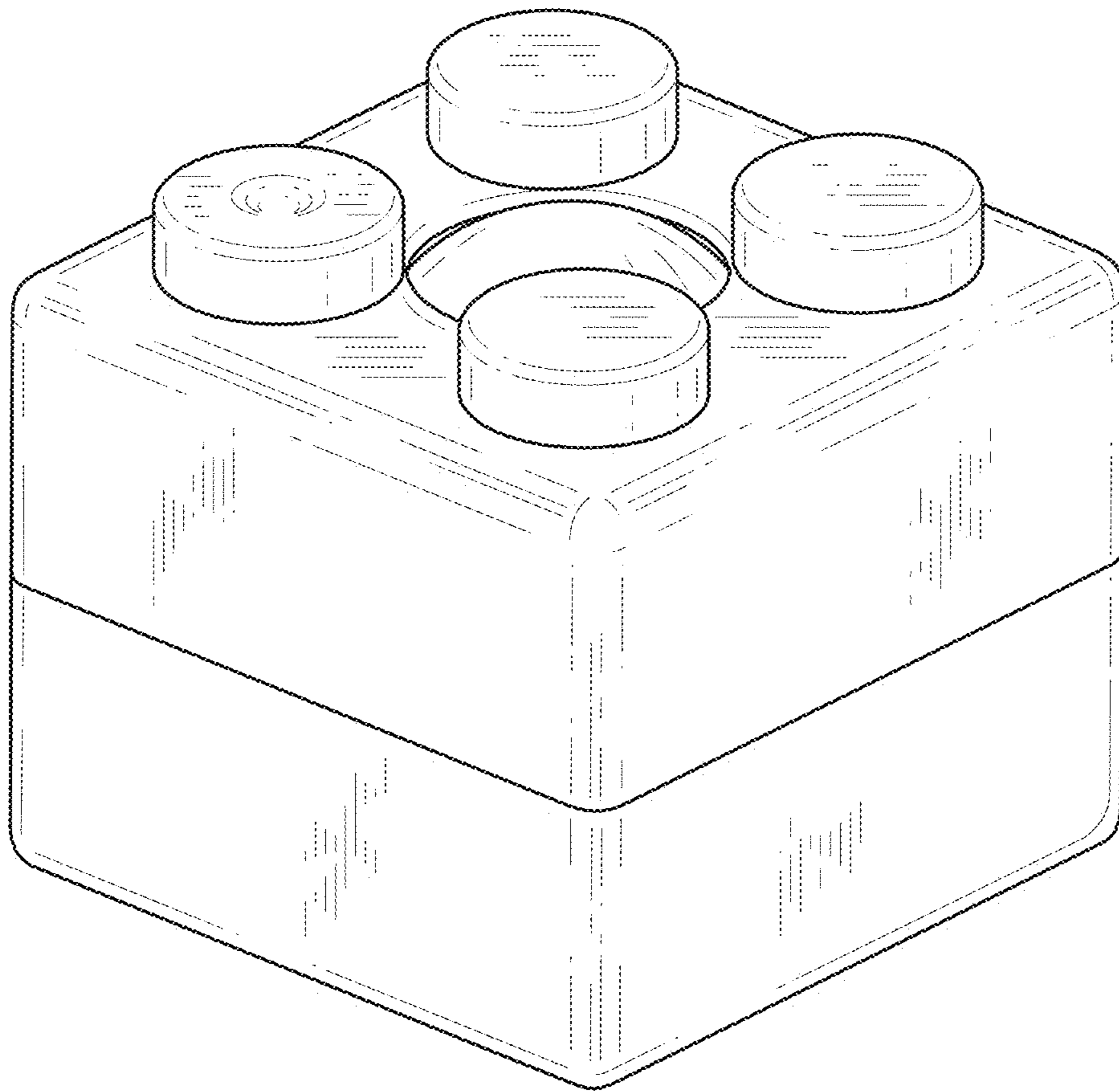


FIG. 1

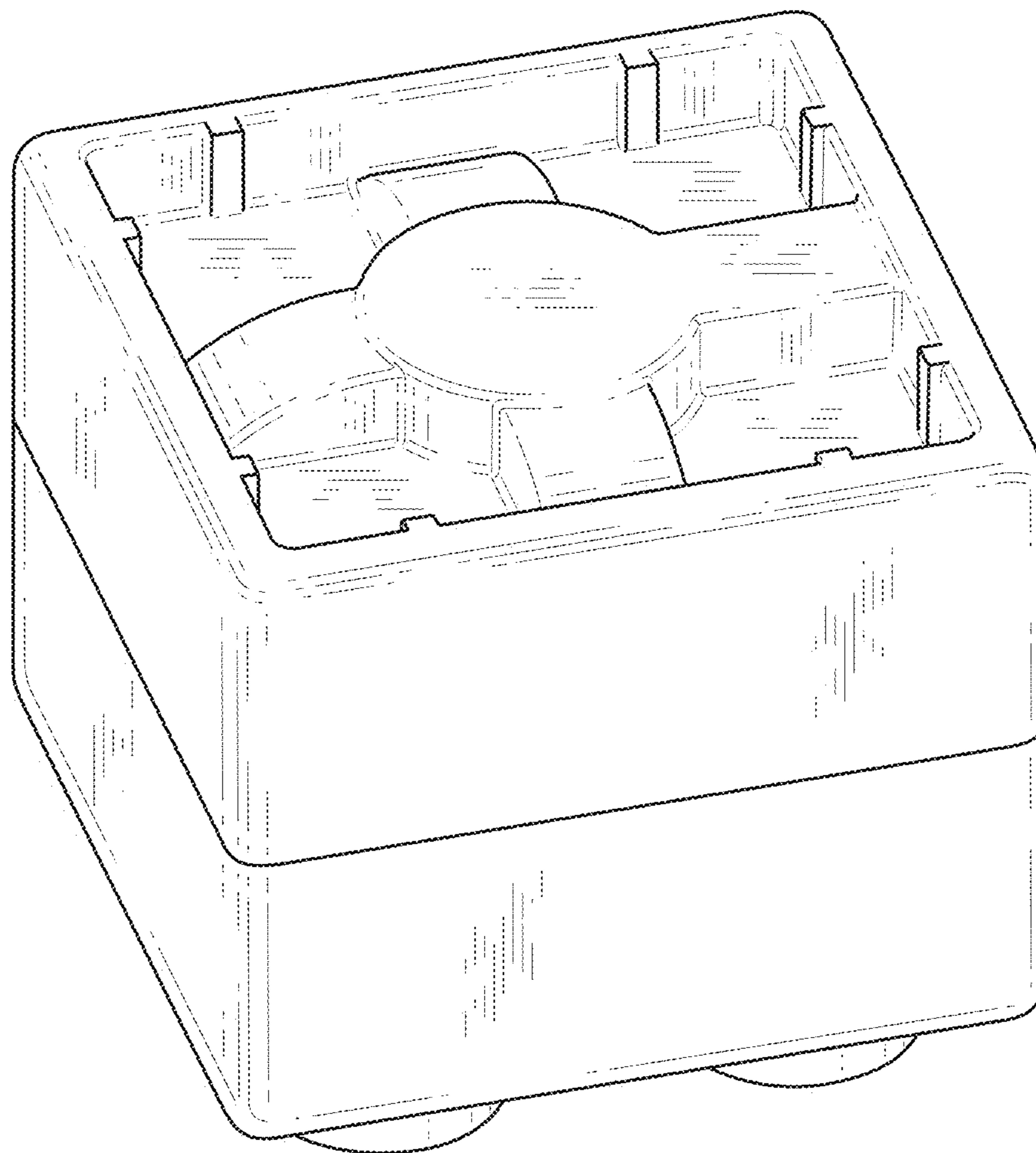


FIG. 2

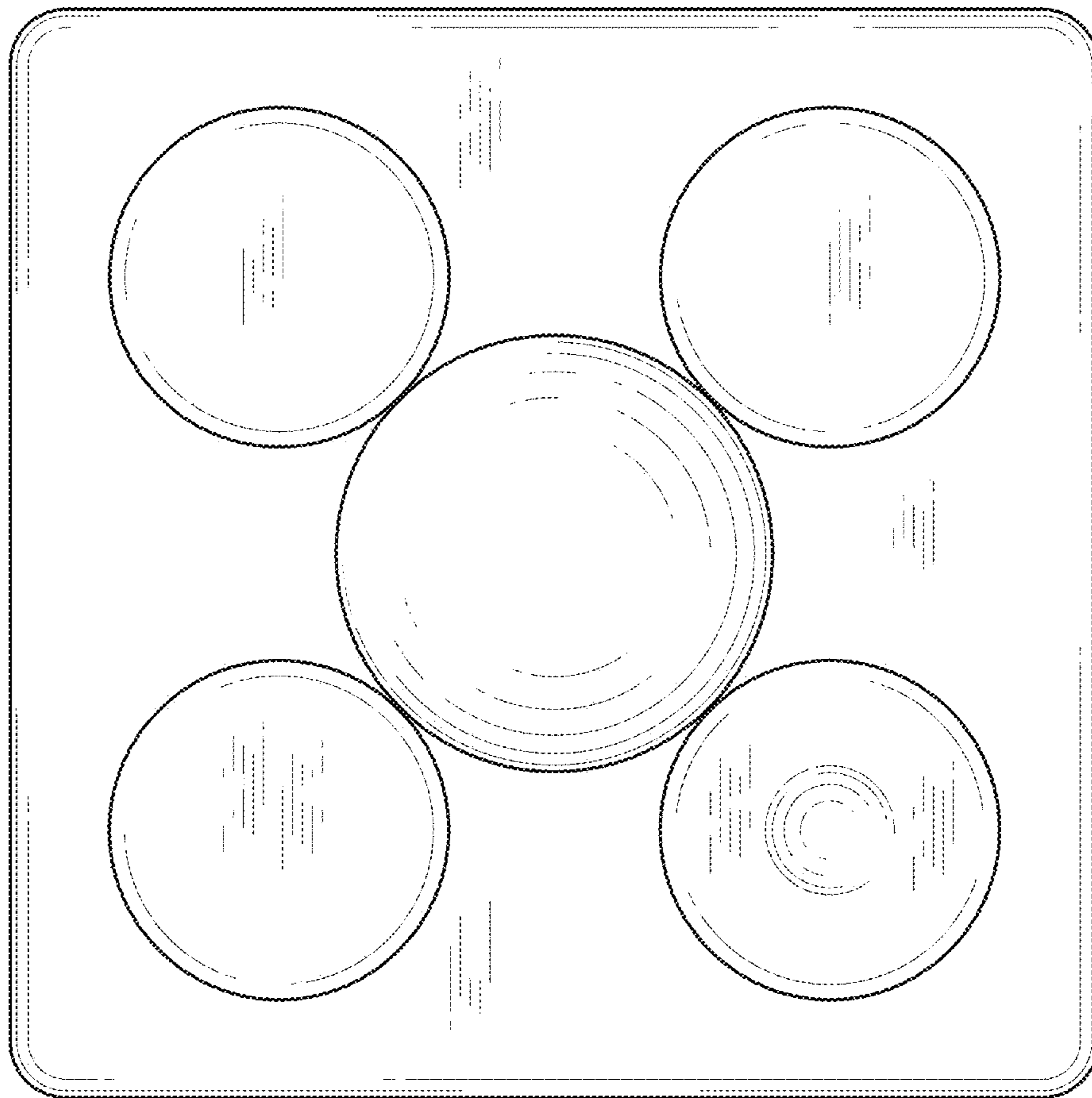


FIG. 3

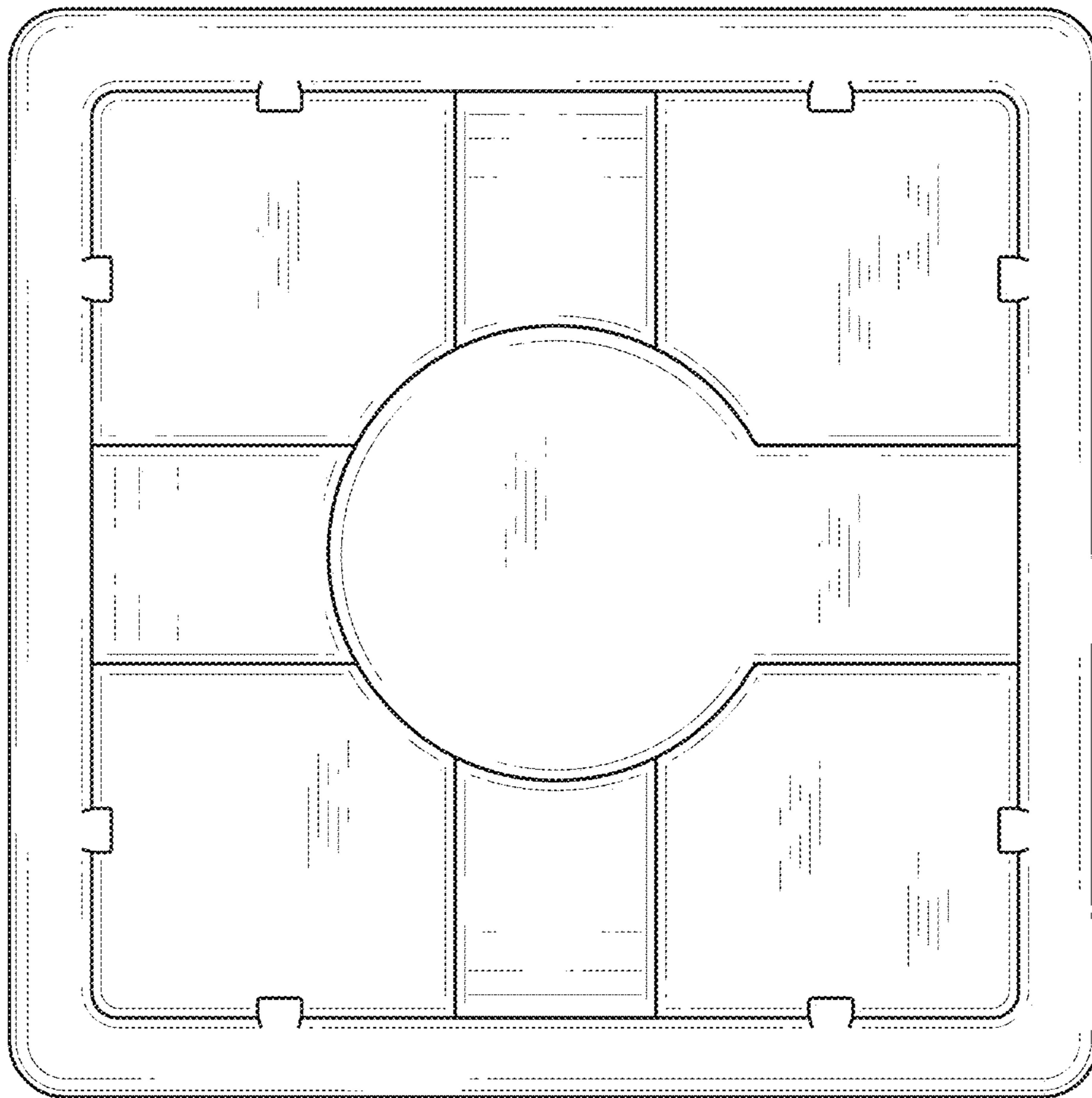


FIG. 4

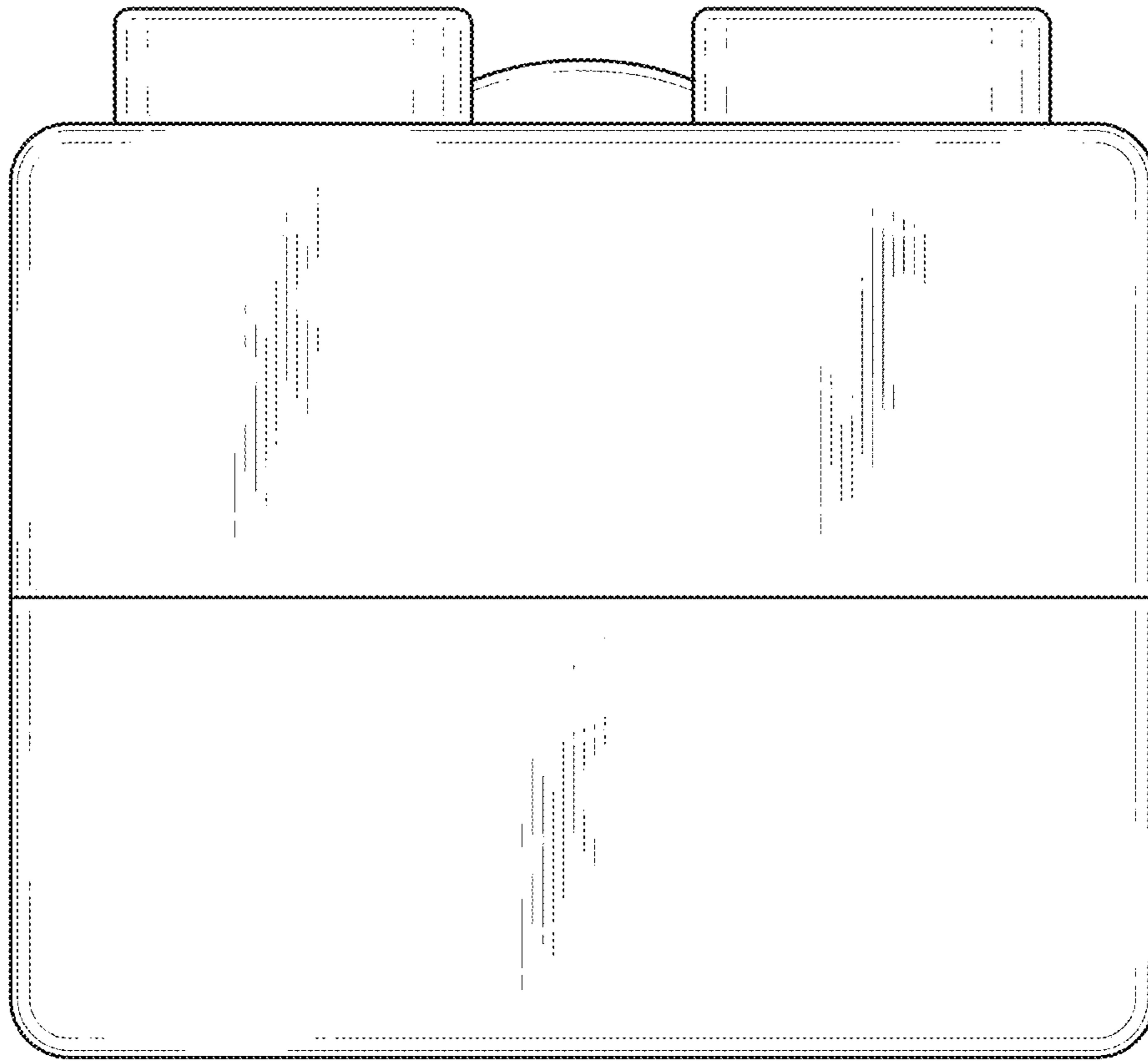


FIG. 5