



US00D890857S

(12) **United States Design Patent**
Jardin

(10) **Patent No.:** **US D890,857 S**
(45) **Date of Patent:** **** Jul. 21, 2020**

(54) **NESTED COUNTERWEIGHT FOR A
ROTATABLE PERFORMANCE DEVICE**

(71) Applicant: **Flambeau, Inc.**, Baraboo, WI (US)

(72) Inventor: **Bryan Jardin**, Orlando, FL (US)

(73) Assignee: **Flambeau, Inc.**, Baraboo, WI (US)

(**) Term: **15 Years**

(21) Appl. No.: **29/665,882**

(22) Filed: **Oct. 8, 2018**

(51) **LOC (12) Cl.** **21-01**

(52) **U.S. Cl.**
USPC **D21/499**

(58) **Field of Classification Search**
USPC D15/138; D21/398, 399, 408, 420, 426,
D21/443, 451, 453, 455, 461, 463, 465,
D21/468, 479, 482, 499, 563, 812
(Continued)

(56) **References Cited**

U.S. PATENT DOCUMENTS

D660,919 S * 5/2012 Perrin D21/478
D664,215 S * 7/2012 Clahsen D21/484
(Continued)

OTHER PUBLICATIONS

Duncan Double Dice, posted on yo-yo.com, no posted date given, no production date given, [online], [site visited Jan. 29, 2020], available from internet, URL: <https://www.yo-yo.com/double-dice-white.aspx> (Year: 2020).*

(Continued)

Primary Examiner — Michael C Stout

Assistant Examiner — Fritzgerald L Butac

(74) *Attorney, Agent, or Firm* — Quarles & Brady LLP

(57) **CLAIM**

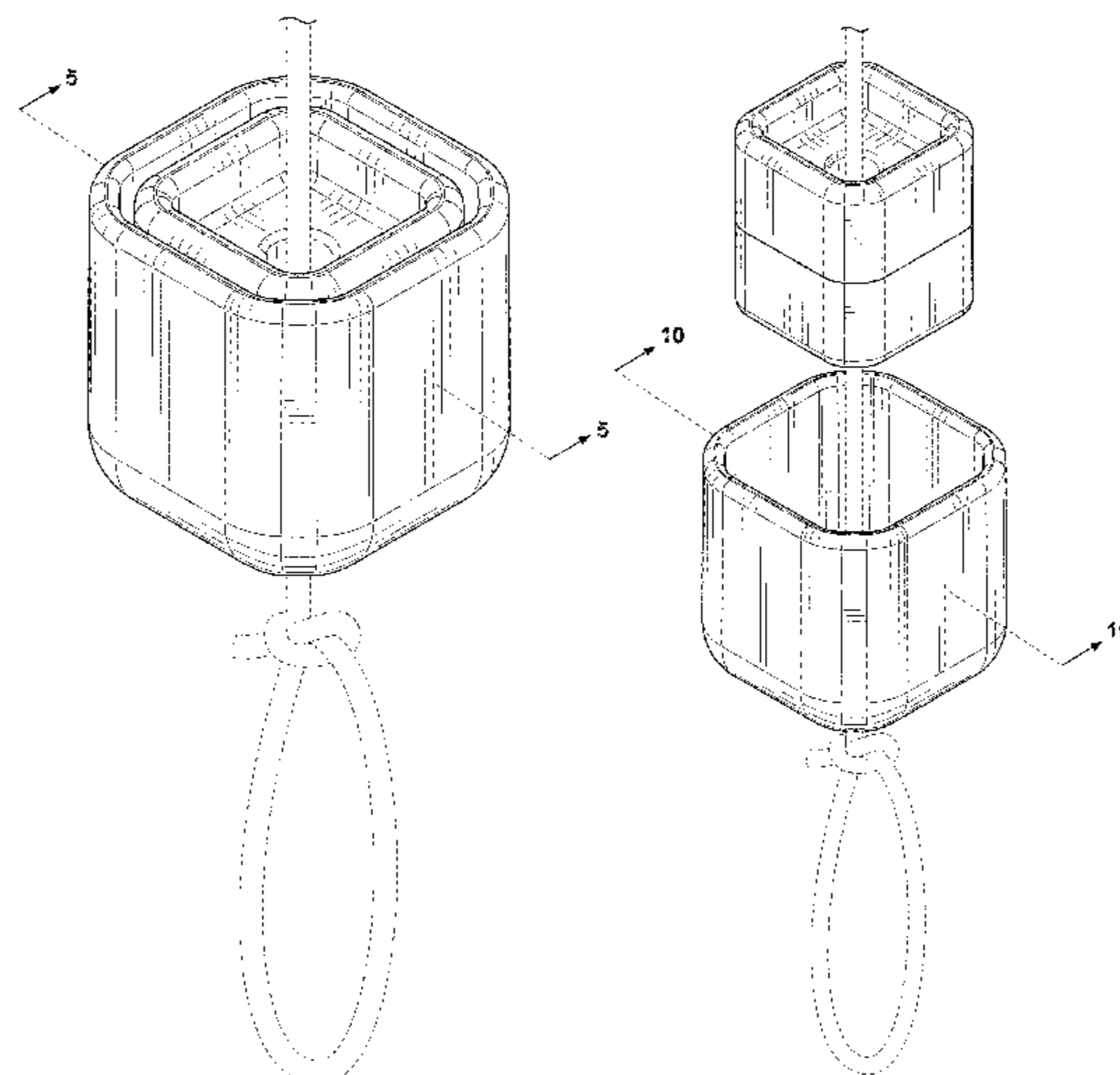
The ornamental design for a nested counterweight for a rotatable performance device, as shown and described.

DESCRIPTION

FIG. 1 is an isometric view of a top, front, and right side of an ornamental design for a nested counterweight for a rotatable performance device;
FIG. 2 is a front elevational view of the nested counterweight of FIG. 1, the left side, right side, and rear elevational views being mirror images thereof;
FIG. 3 is a top plan view of the nested counterweight of FIG. 1;
FIG. 4 is a bottom plan view of the nested counterweight of FIG. 1;
FIG. 5 is a cross-sectional view of the top, front, and right side isometric view of the nested counterweight of FIG. 1;
FIG. 6 is an isometric view of a top, front, and right side of the nested counterweight of FIG. 1 in a separated configuration;
FIG. 7 is a front elevational view of the nested counterweight of FIG. 6, the left side, right side, and rear elevational views being mirror images thereof;
FIG. 8 is a top plan view of the nested counterweight of FIG. 6;
FIG. 9 is a bottom plan view of the nested counterweight of FIG. 6;
FIG. 10 is a cross-sectional view of the top, front, and right side isometric view of the nested counterweight of FIG. 6;
FIG. 11 an isometric view of a top, front, and right side of the nested counterweight of FIG. 1 in a separated configuration;
FIG. 12 an isometric view of a top, front, and right side of the nested counterweight of FIG. 1 in a separated configuration; and,
FIG. 13 an isometric view of a top, front, and right side of the nested counterweight of FIG. 1 in a separated configuration.

The broken lines are included for the purpose of illustrating environmental structure and form no part of the claimed design. The curved lines which appear in FIGS. 1, 2, 5-7, and 10-13 are for the purpose of showing a symbolic break in the environmental structure, and form no part of the claimed design.

1 Claim, 11 Drawing Sheets



(58) **Field of Classification Search**

CPC A63H 1/30
See application file for complete search history.

(56) **References Cited**

U.S. PATENT DOCUMENTS

D681,548 S * 5/2013 Zhang D13/102
D698,869 S * 2/2014 Strzelewicz D21/499
D754,263 S * 4/2016 Wolff D21/499
D795,361 S * 8/2017 Liu D21/499
D857,804 S * 8/2019 McLachlan D21/468
D872,186 S * 1/2020 Mason D21/336
2019/0105577 A1 * 4/2019 Jardin A63H 1/30

OTHER PUBLICATIONS

Duncan Double Dice Yo Yo Counterweight Unboxing and Review.
posted on youtube.com, posted on Sep. 12, 2018. [online], [site
visited Feb. 3, 2018], Available from Internet, URL: <https://www.youtube.com/watch?v=7RC2n17yx0w> (Year: 2018).*

* cited by examiner

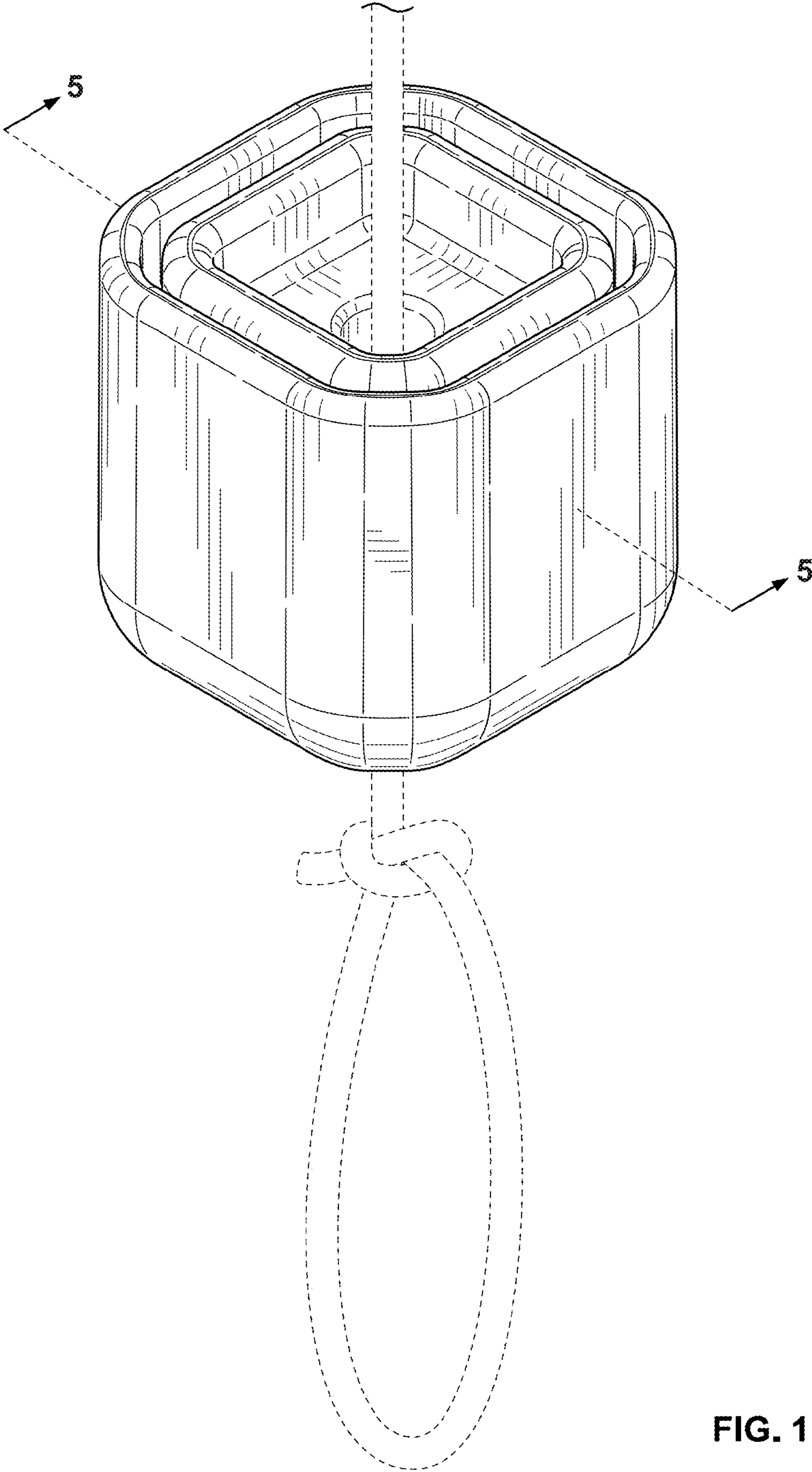


FIG. 1

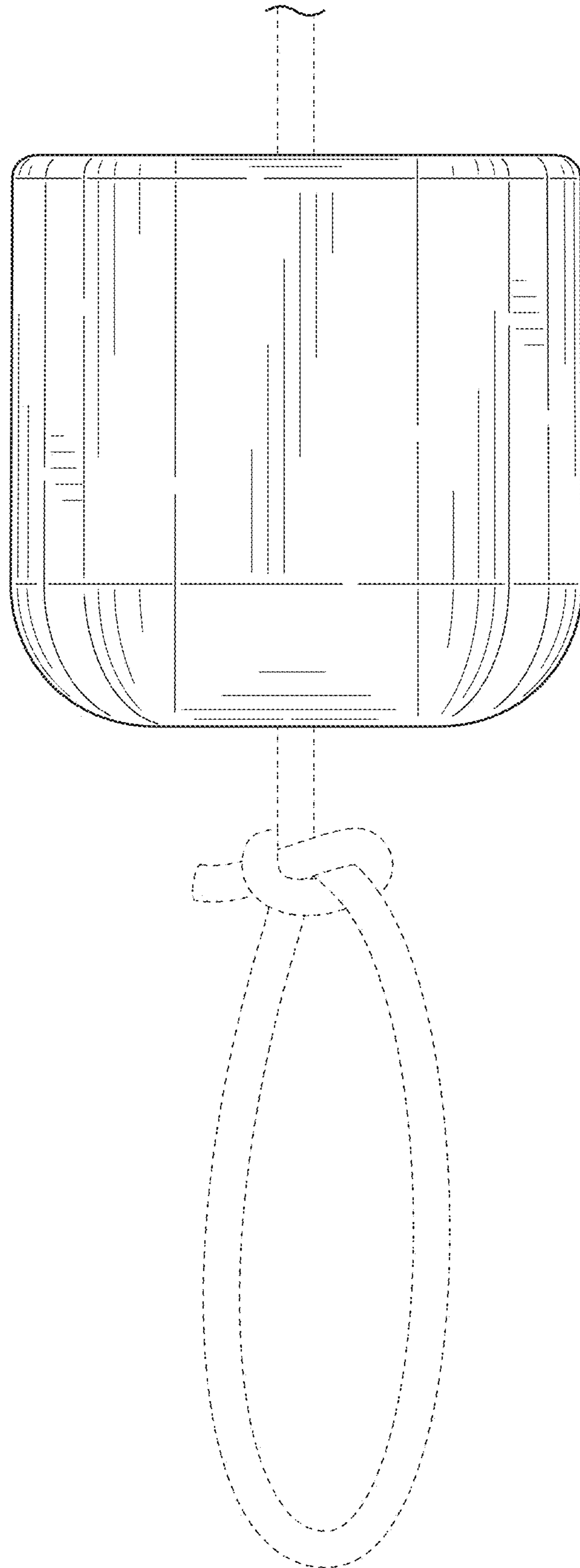


FIG. 2

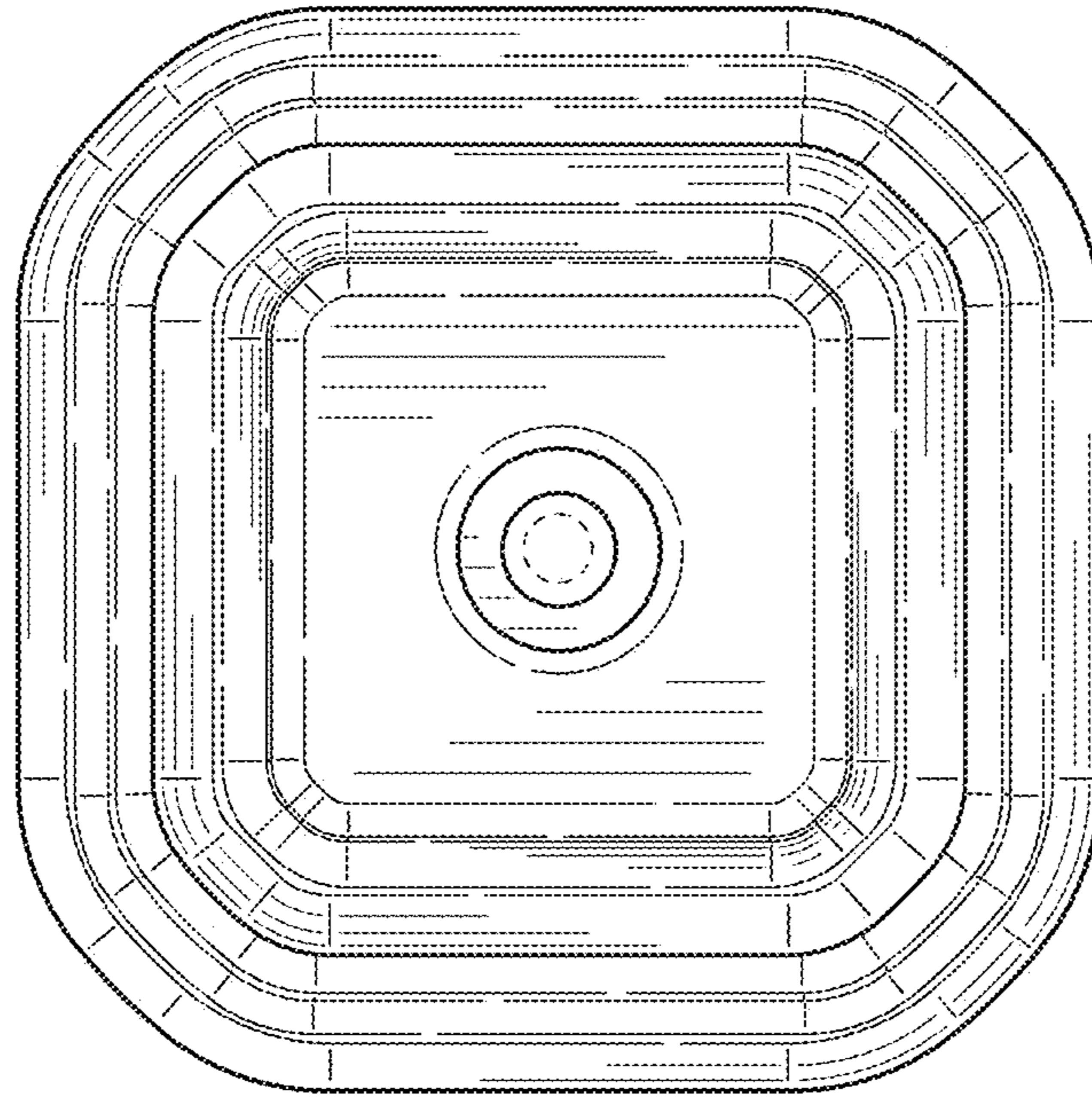


FIG. 3

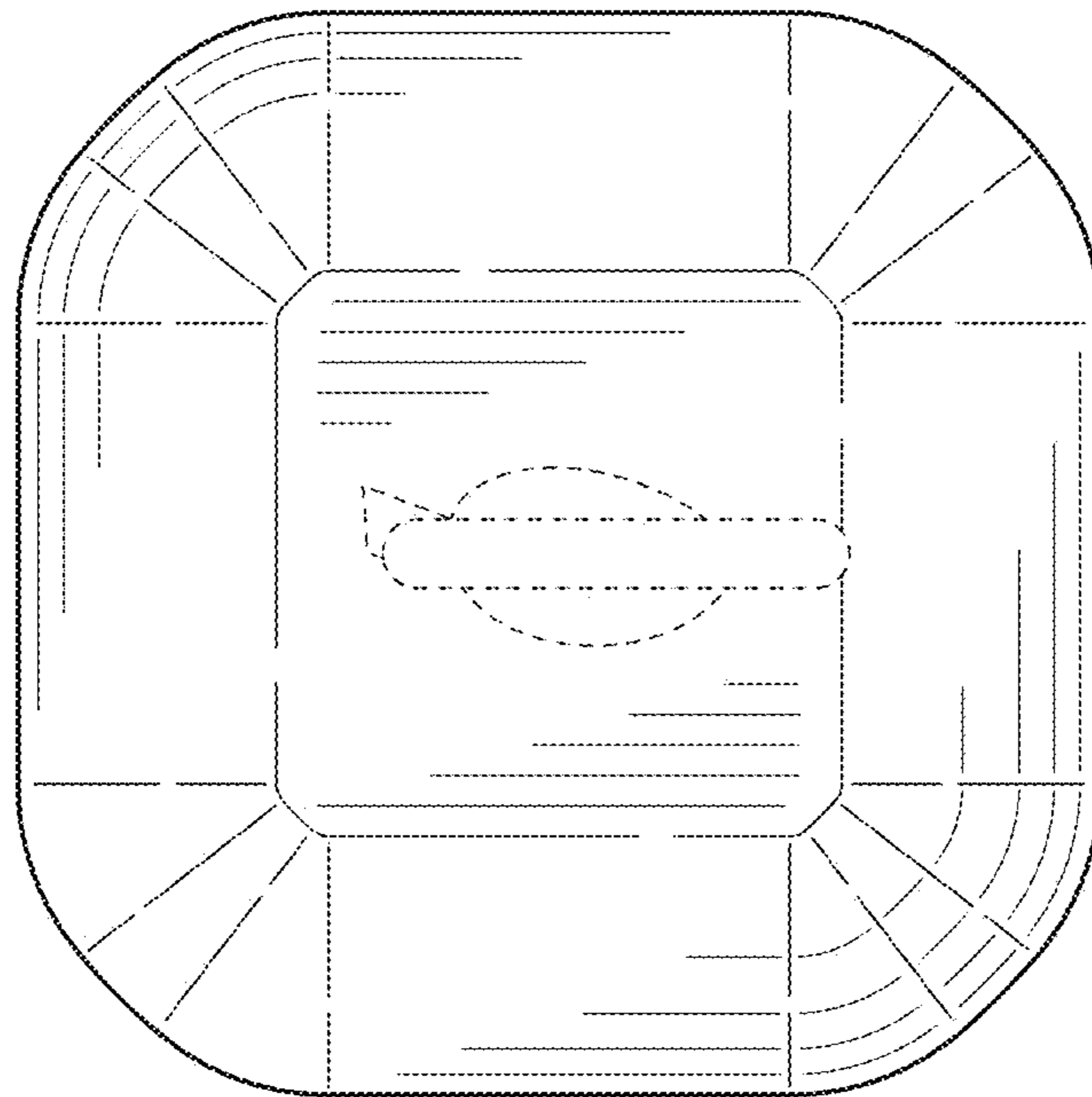


FIG. 4

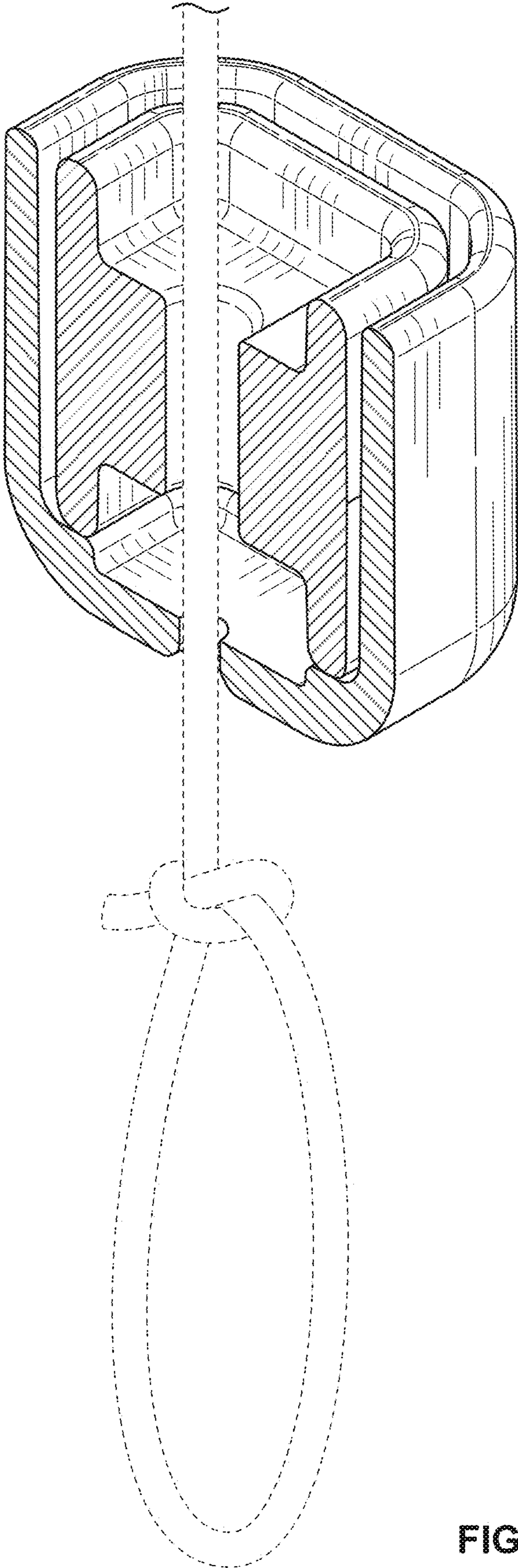


FIG. 5

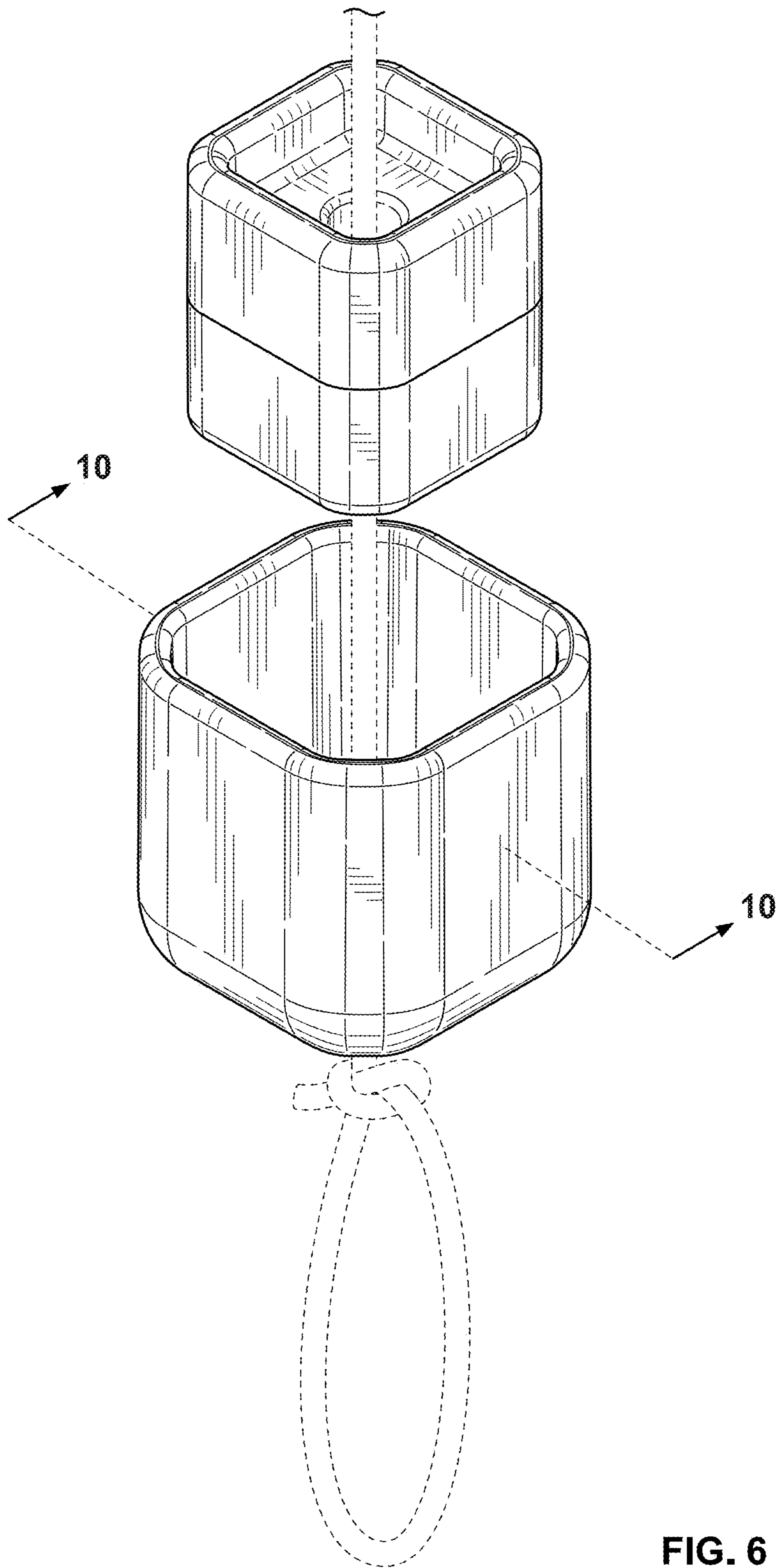


FIG. 6

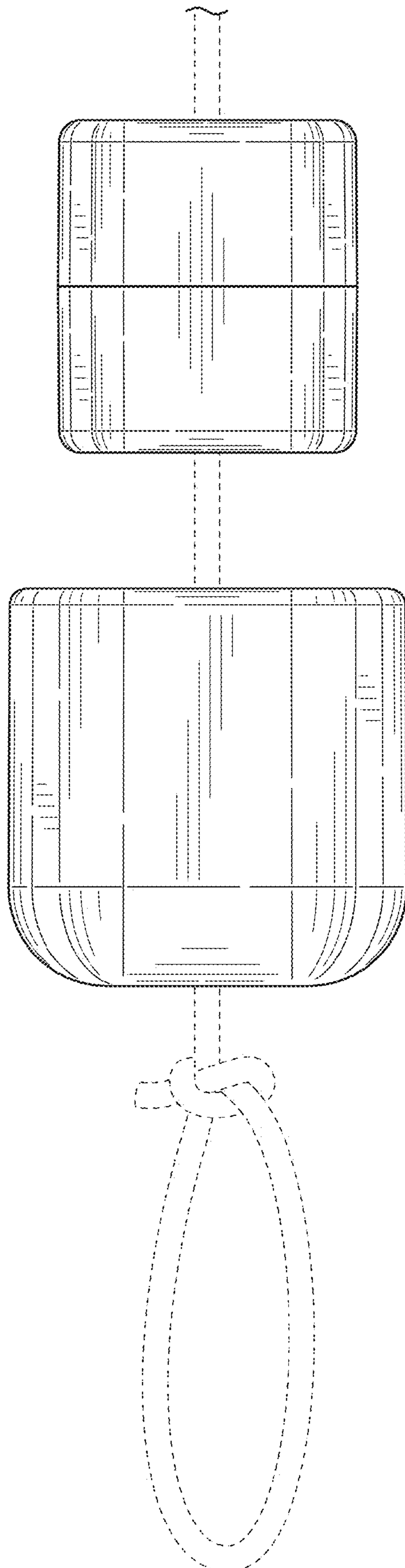


FIG. 7

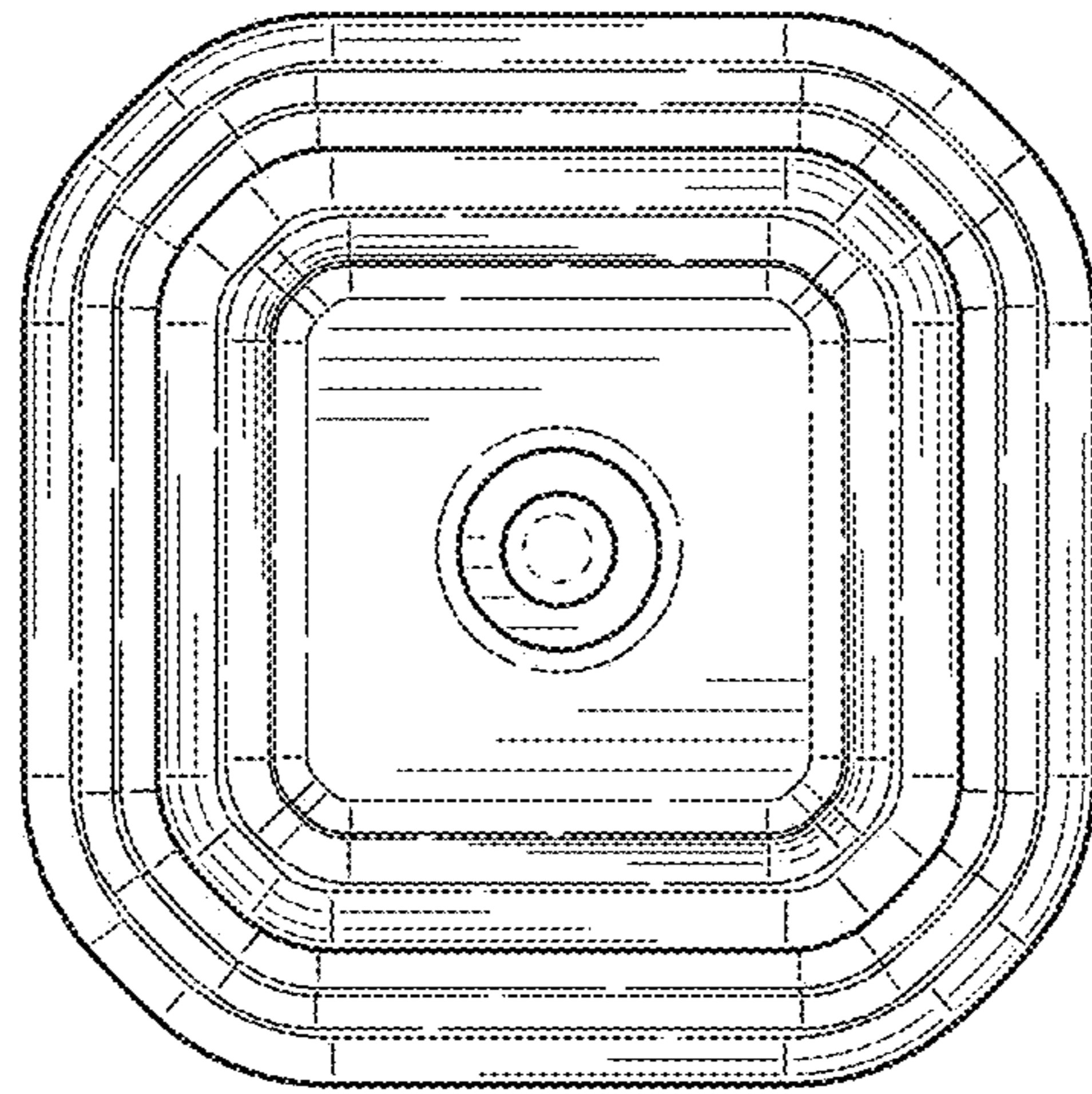


FIG. 8

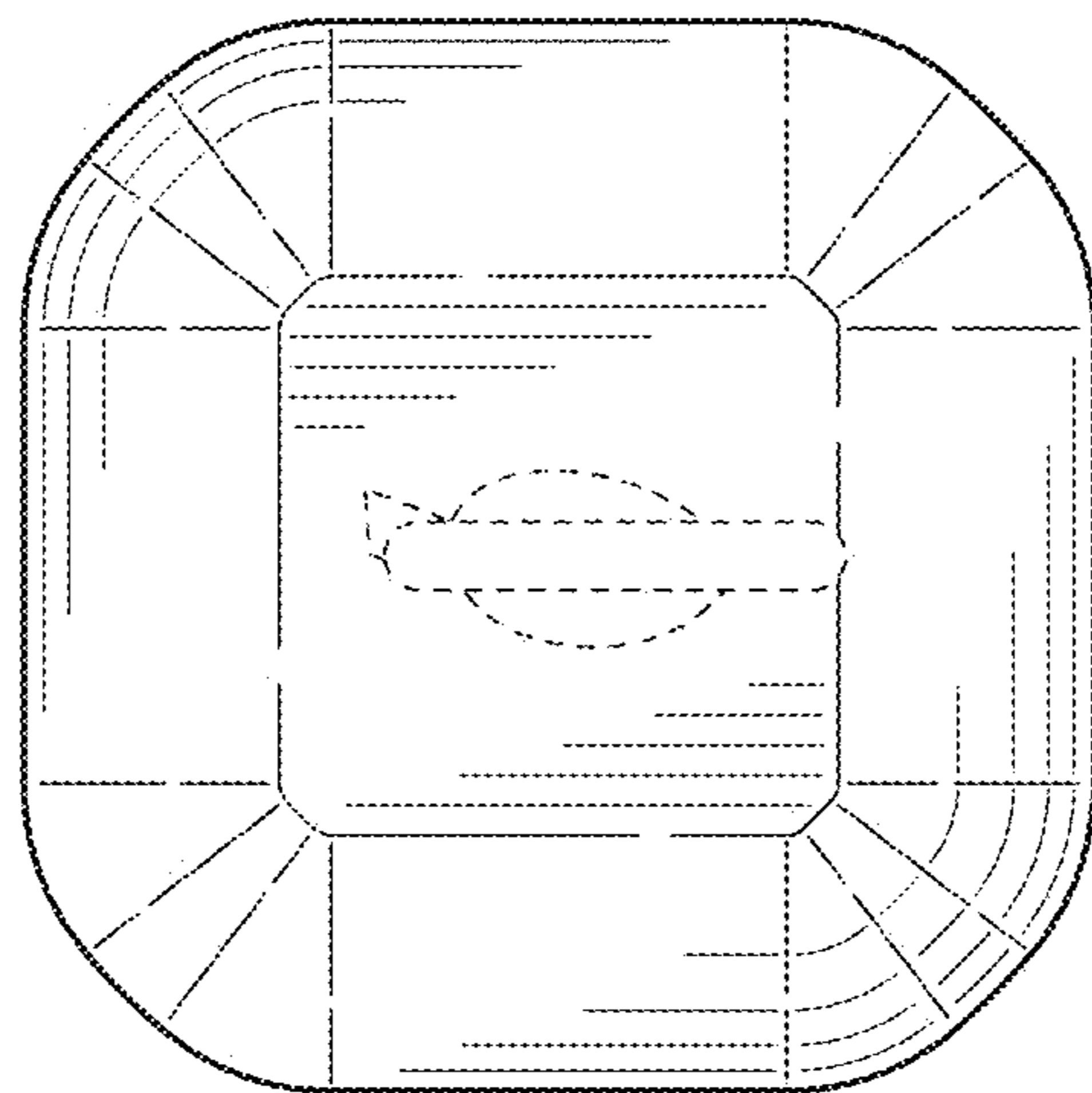


FIG. 9

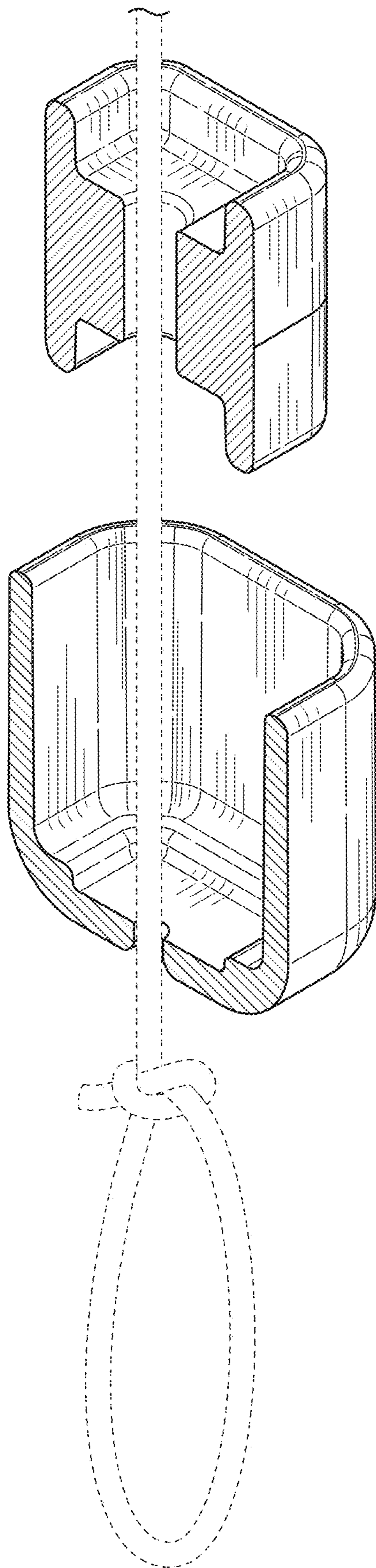


FIG. 10

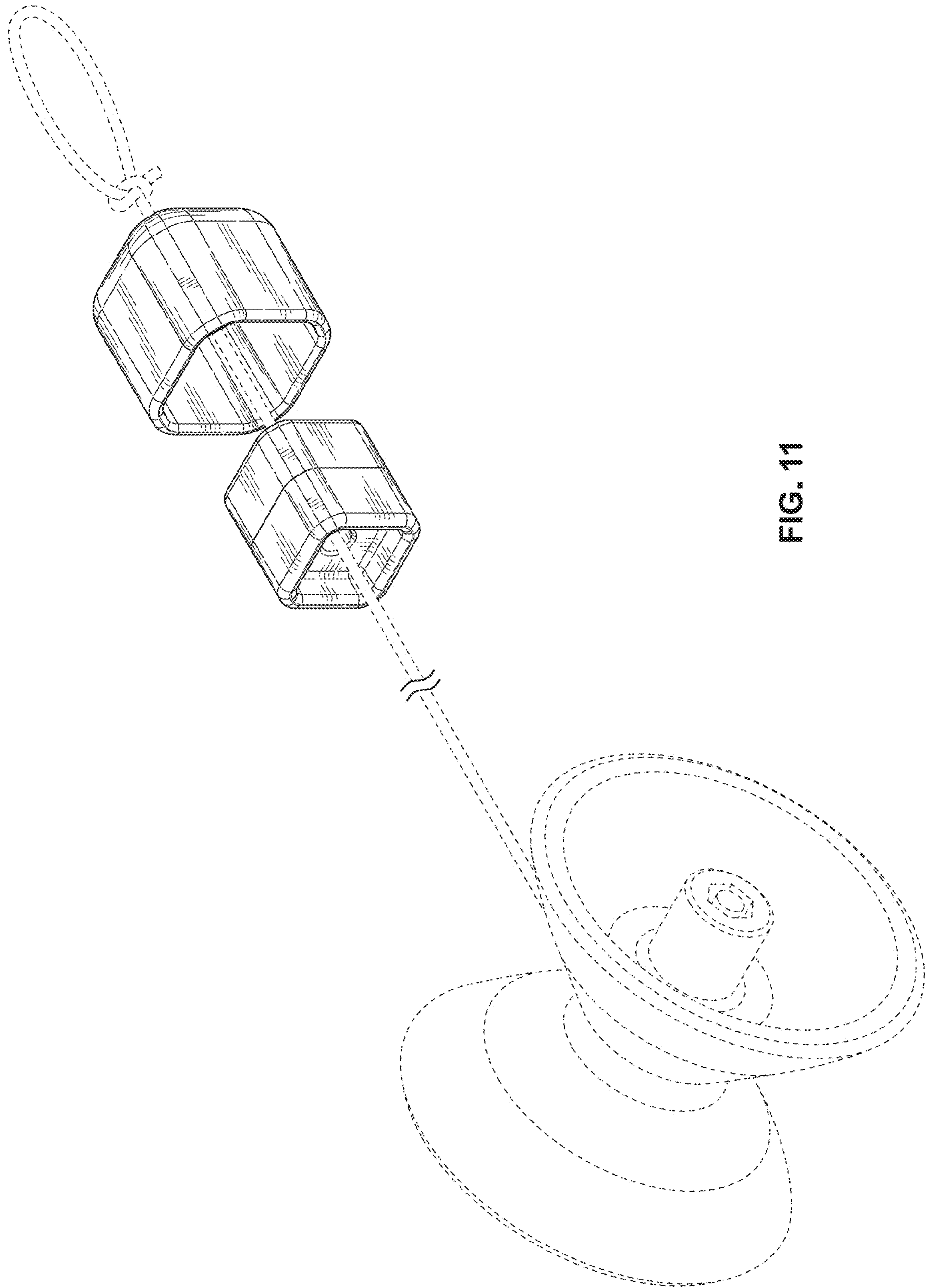


FIG. 11

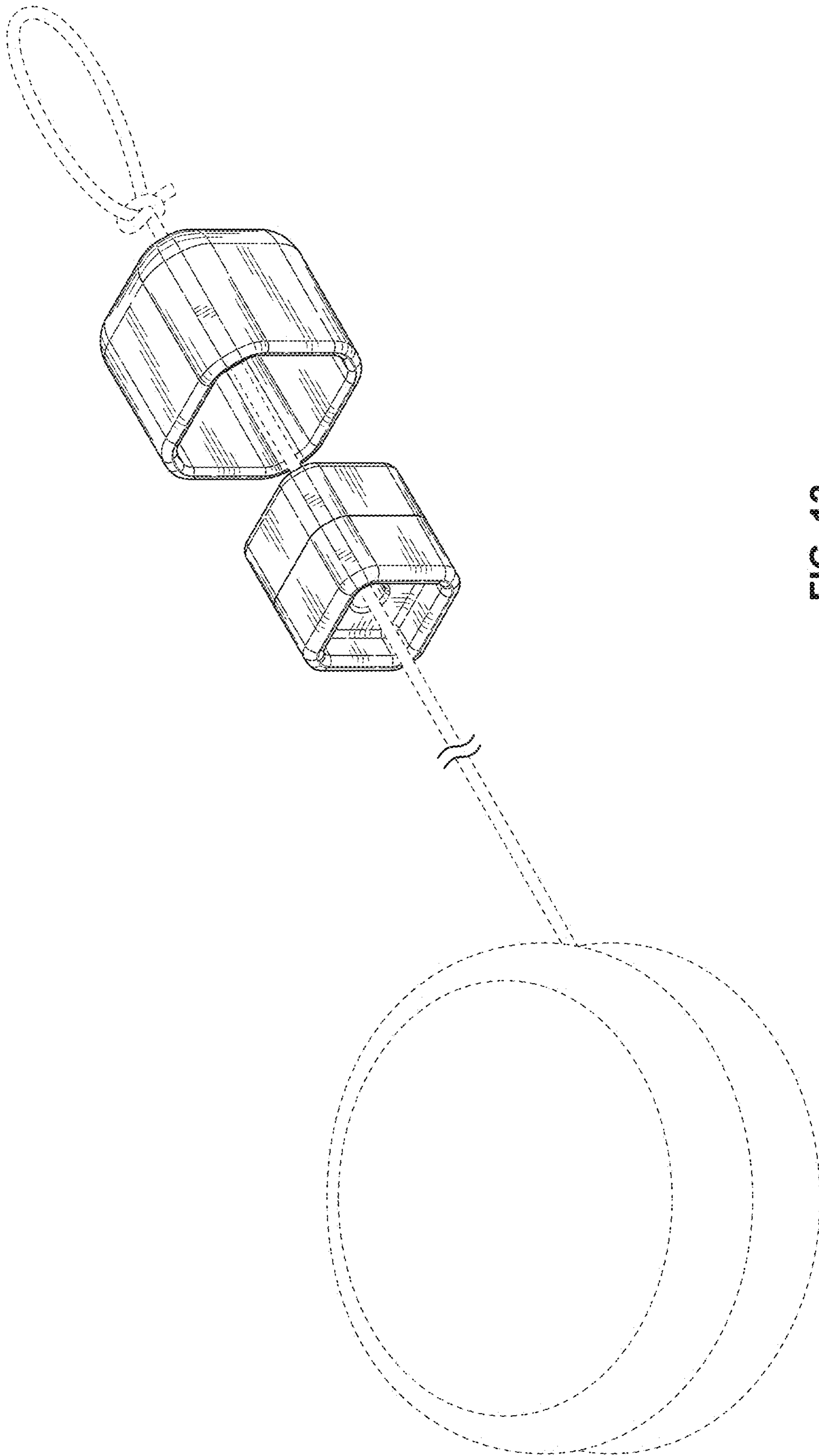


FIG. 12

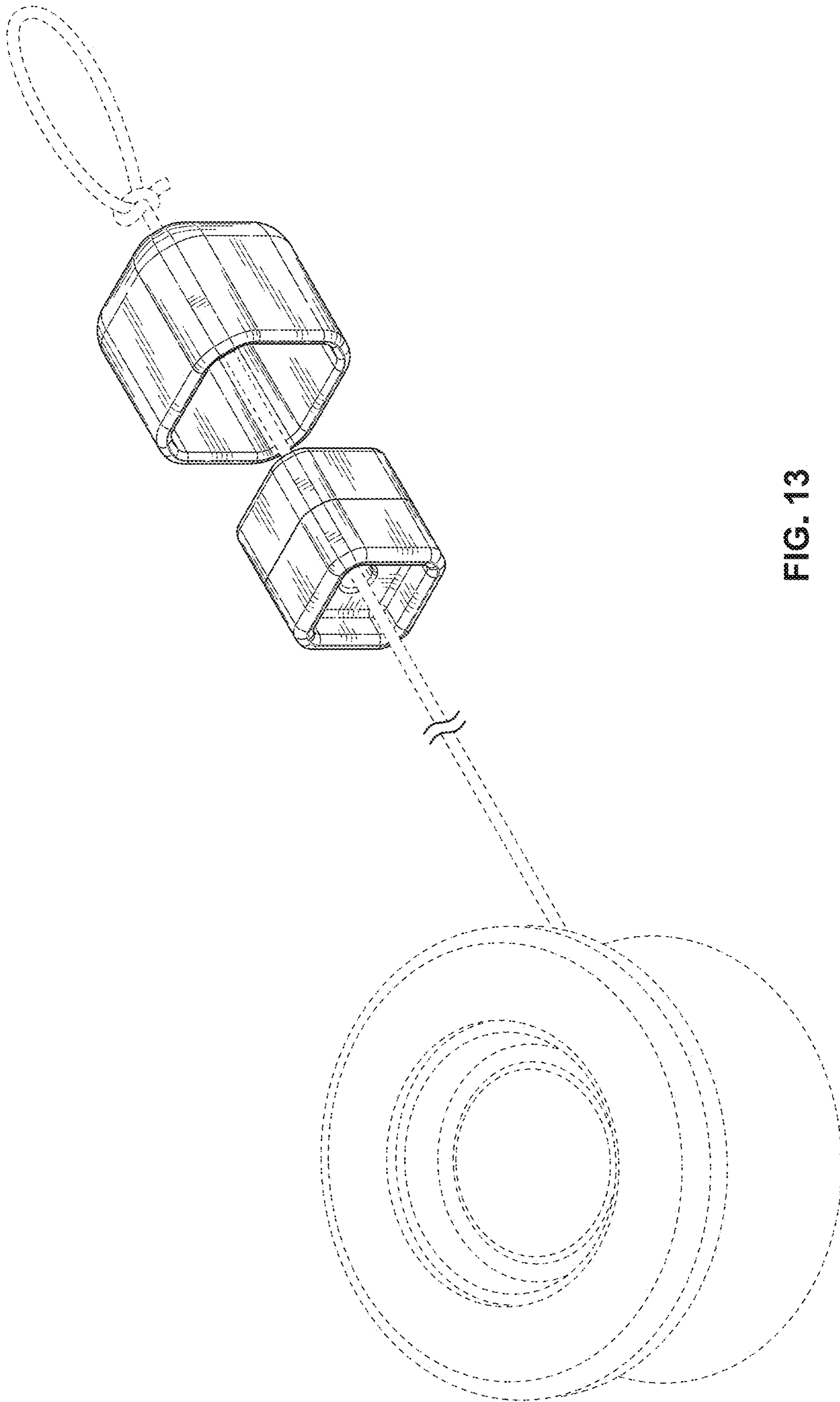


FIG. 13