



US00D890855S

(12) **United States Design Patent** (10) **Patent No.:** **US D890,855 S**
Chen (45) **Date of Patent:** **** Jul. 21, 2020**

(54) **DRIFTING KART**

FOREIGN PATENT DOCUMENTS

(71) Applicant: **RAZOR USA LLC**, Cerritos, CA (US)

CN 2936826 8/2007
CN 200977859 11/2007

(72) Inventor: **Robert (Wei-Pin) Chen**, San Marino, CA (US)

(Continued)

(73) Assignee: **RAZOR USA LLC**, Cerritos, CA (US)

OTHER PUBLICATIONS

(**) Term: **15 Years**

Aamoth, Doug, "Razor Builds the Ultimate Drifting Go-Kart: Why Must I Always Be Over the Weight Limit for Everything Good in This World?," Jul. 11, 2013, retrieved on Aug. 6, 2016, <http://techland.time.com/2013/07/11/razor-builds-the-ultimate-drifting-go-kart-why-must-i-always-be-over-the-weight-limit-for-everything-good-in-this-world/>, in 2 pages.

(21) Appl. No.: **29/696,445**

(22) Filed: **Jun. 27, 2019**

(Continued)

Related U.S. Application Data

(63) Continuation of application No. 29/665,459, filed on Oct. 3, 2018, now Pat. No. Des. 852,892, which is a continuation of application No. 29/612,034, filed on Jul. 27, 2017, now Pat. No. Des. 830,470, which is a continuation of application No. 29/583,432, filed on Nov. 4, 2016, now Pat. No. Des. 793,480, which is a continuation of application No. 29/533,679, filed on Jul. 21, 2015, now Pat. No. Des. 771,196, which is a continuation of application No. 29/492,872, filed on Jun. 3, 2014, now abandoned.

Primary Examiner — Cynthia M. Chin

(74) *Attorney, Agent, or Firm* — Knobbe Martens Olson & Bear, LLP

(51) **LOC (12) Cl.** **21-01**

(52) **U.S. Cl.**
USPC **D21/426**

(58) **Field of Classification Search**
USPC D21/419, 421, 423, 426, 662, 760, 765,
D21/766, 769, 771, 776, 803; D12/1, 6,
D12/130; 180/180, 181

CPC . A63C 17/00; A63C 17/0026; A63C 17/0033;
A63C 17/01; A63C 17/04; A63C 17/265;
A63C 17/26; A63C 17/28; B62K 3/002

See application file for complete search history.

(57) **CLAIM**

The ornamental design for a drifting kart, as shown and described.

DESCRIPTION

FIG. 1 is a perspective view of a drifting kart which embodies my design.

FIG. 2 is a different perspective view thereof;

FIG. 3 is a top view thereof;

FIG. 4 is a left side view thereof;

FIG. 5 is a right side view thereof;

FIG. 6 is a front view thereof; and,

FIG. 7 is a rear view thereof.

The broken lines are for the purpose of illustrating portions of the article that form no part of the claimed design.

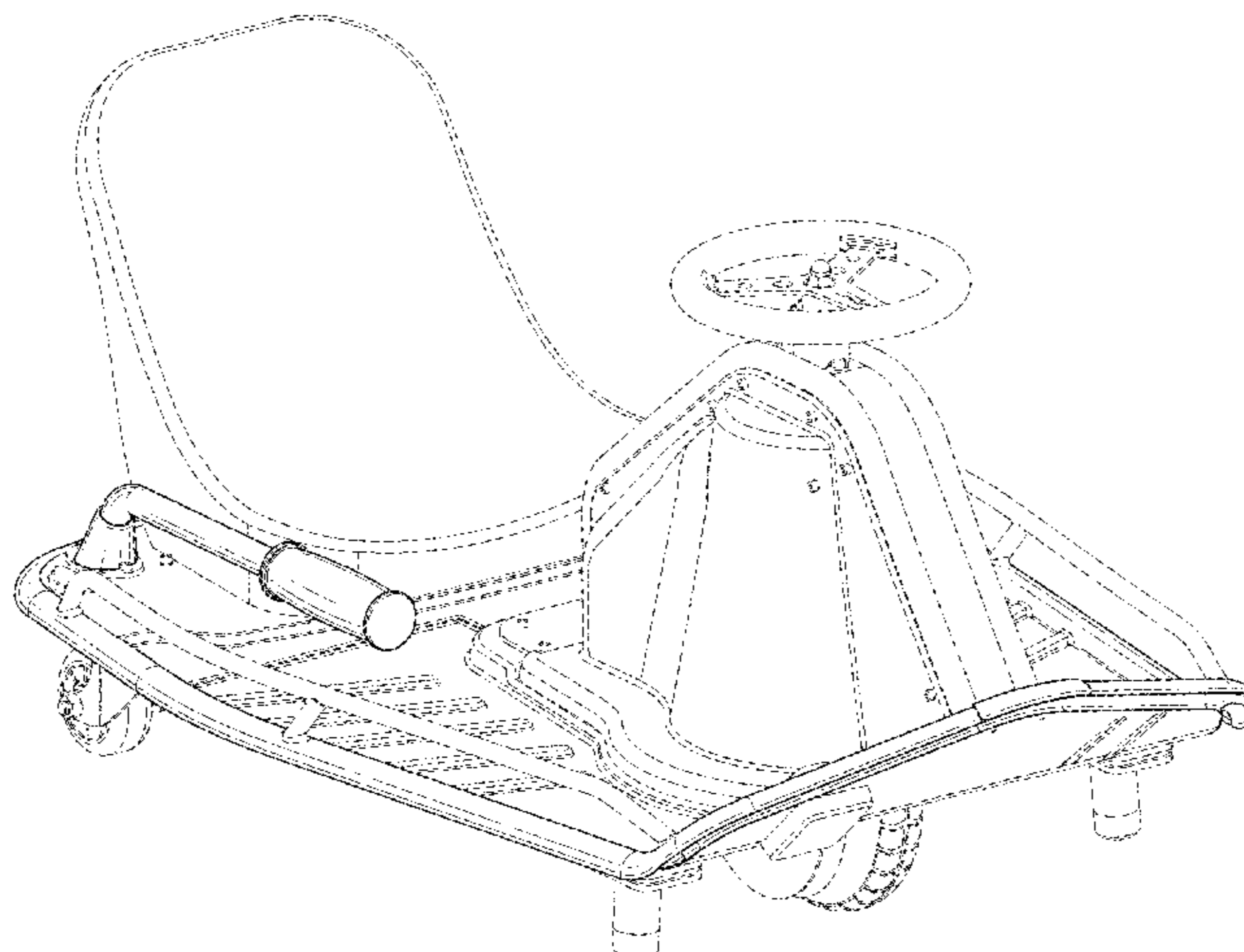
(56) **References Cited**

U.S. PATENT DOCUMENTS

1,231,531 A 6/1917 Shilling
1,932,031 A 10/1933 Saverio
3,062,559 A 6/1959 Hewitt

(Continued)

1 Claim, 6 Drawing Sheets



(56)

References Cited

U.S. PATENT DOCUMENTS

D189,614 S	1/1961	Beale	D575,675 S	8/2008	Williams et al.
D190,024 S	4/1961	Rouse	D582,992 S	12/2008	Alais
3,053,550 A	9/1962	Joachim et al.	7,552,934 B2	6/2009	Lee et al.
3,099,326 A	7/1963	Weigel et al.	D601,640 S	10/2009	McIlvain et al.
3,125,177 A	3/1964	Paller	D608,250 S	1/2010	Van De
3,512,599 A	5/1970	Hott et al.	D611,106 S	3/2010	Van Beek
3,533,484 A	10/1970	Wood, Jr.	7,712,558 B2	5/2010	Helson et al.
D222,283 S	10/1971	Reeves	7,779,850 B2	8/2010	Caldwell
3,799,283 A	3/1974	Freber	7,823,675 B2	11/2010	Kermani
3,829,117 A	8/1974	Park	D637,116 S	5/2011	Kettler
3,938,608 A	2/1976	Folco-Zambelli	D637,660 S	5/2011	Markowitz
3,960,392 A	6/1976	Read	8,091,658 B2	1/2012	Peng
D243,627 S	3/1977	Clower	8,356,686 B2 *	1/2013	Kermani B62D 63/02 180/210
D246,198 S	10/1977	Rose	8,365,850 B2	2/2013	Gal et al.
4,065,144 A	12/1977	Winchell	D682,746 S	5/2013	Doherty et al.
D249,496 S	9/1978	Morgan	D692,505 S	10/2013	Jiang
D252,714 S	8/1979	Tidwell	D692,506 S	10/2013	Jiang
4,281,844 A	8/1981	Jackman et al.	8,627,910 B1	1/2014	Carque
4,359,231 A	11/1982	Mulcahy	D705,128 S	5/2014	Patterson et al.
4,403,673 A	9/1983	Ball	8,757,644 B2	6/2014	Satou
D276,058 S	10/1984	Rogers	8,801,005 B1	8/2014	Flickner et al.
D280,916 S	10/1985	Castle	8,820,460 B2	9/2014	Chen
4,572,535 A	2/1986	Stewart	8,840,131 B1	9/2014	Calley
D290,451 S	6/1987	Engum	8,875,831 B2	11/2014	Kermani
4,682,668 A	7/1987	Salmon et al.	8,931,583 B2	1/2015	Tuckowski
4,750,578 A	6/1988	Brandenfels	9,102,375 B2	8/2015	Kermani
4,826,190 A	5/1989	Hartmann	9,139,248 B2	9/2015	Xiao
4,886,294 A	12/1989	Nahachewski	D761,700 S	7/2016	Kermani
4,896,899 A	1/1990	Lawrence	D766,780 S	9/2016	Fusco
4,898,508 A	2/1990	Hayata	D771,196 S	11/2016	Chen
4,915,075 A	4/1990	Brown	9,499,220 B2	11/2016	Kermani
4,944,360 A	7/1990	Sturges	D774,602 S	12/2016	Desberg
4,993,733 A	2/1991	Eilers	D774,981 S	12/2016	Chen
5,036,938 A	8/1991	Blount et al.	D775,282 S	12/2016	Williams et al.
D320,420 S	10/1991	Dupont	D776,204 S	1/2017	Van Der Berg
D320,586 S	10/1991	Tellinghuisen	9,557,740 B2	1/2017	Crawley
D332,765 S	1/1993	Tellinghuisen	D778,369 S	2/2017	Douma et al.
D332,977 S	2/1993	Huffman et al.	D783,726 S	4/2017	Williams et al.
5,257,671 A	11/1993	Watkins	D787,379 S	5/2017	Kermani
5,265,690 A	11/1993	Amundsen et al.	D792,811 S	7/2017	Kermani et al.
5,340,139 A	8/1994	Davis	D793,480 S	8/2017	Chen
5,477,936 A	12/1995	Sugioka et al.	D793,481 S	8/2017	Kermani et al.
5,479,998 A	1/1996	Ishikawa	D793,912 S	8/2017	Kermani
5,494,126 A	2/1996	Meeker	D807,438 S	1/2018	Desberg
D369,130 S	4/1996	Cummings	D820,733 S	6/2018	Chen
D378,226 S	2/1997	Sundqvist	D830,469 S	10/2018	Kermani et al.
5,628,379 A	5/1997	Watkins	D830,470 S	10/2018	Chen
5,826,670 A	10/1998	Nan	10,245,194 B2	4/2019	Kermani
D408,869 S	4/1999	Patmont	D850,328 S *	6/2019	Allais D12/112
5,904,218 A	5/1999	Watkins	D852,892 S	7/2019	Chen
D412,138 S	7/1999	Triarsi et al.	D852,893 S	7/2019	Kermani et al.
5,931,499 A	8/1999	Sutherland	D854,457 S	7/2019	Kermani
6,026,923 A	2/2000	Uphaus	D854,458 S	7/2019	Kermani
6,047,786 A	4/2000	Stevenson et al.	10,434,860 B2 *	10/2019	Chen G05G 1/44
D440,607 S	4/2001	Mahlow	D872,657 S *	1/2020	Li D12/112
6,267,190 B1	7/2001	Micheletti	D874,986 S *	2/2020	Chen D12/112
6,276,480 B1	8/2001	Aregger	2002/0011374 A1	1/2002	Brister
6,349,786 B1	2/2002	Gift	2002/0175027 A1	11/2002	Usherovich
D460,723 S	7/2002	Smit	2003/0102657 A1	6/2003	Kuo
D465,814 S	11/2002	Kovelski	2004/0035627 A1	2/2004	Richey et al.
D466,560 S	12/2002	Stolpmann	2004/0040769 A1	3/2004	Richey et al.
D469,819 S	2/2003	Nicolle et al.	2004/0199311 A1	10/2004	Aguilar et al.
D471,936 S	3/2003	Tilbor et al.	2007/0045022 A1	3/2007	Greig et al.
6,530,598 B1	3/2003	Kirby	2008/0122209 A1	5/2008	Jayasuriya
D483,420 S	12/2003	Delong et al.	2008/0196951 A1	8/2008	Gal et al.
D488,194 S	4/2004	Fox et al.	2009/0065272 A1	3/2009	Martin et al.
6,729,421 B1	5/2004	Gluck	2010/0032223 A1 *	2/2010	Kermani B62D 63/02 180/216
6,749,039 B1	6/2004	Uphaus	2012/0133111 A1	5/2012	Schmutzer et al.
6,766,871 B2	7/2004	Sawyer	2015/0328994 A1	5/2015	Chen et al.
D512,467 S	12/2005	Hadley et al.	2016/0214557 A1	7/2016	Villa
7,117,967 B2	10/2006	Kidd	2017/0156953 A1	6/2017	Kermani
7,198,322 B2	4/2007	Savo			
D562,914 S	2/2008	Oveson et al.			
D570,572 S	6/2008	Whiteside et al.			
D574,297 S	8/2008	Carl			

(56)

References Cited

U.S. PATENT DOCUMENTS

2018/0029458 A1 2/2018 Chen et al.
2018/0043950 A1 2/2018 Kermani et al.

FOREIGN PATENT DOCUMENTS

CN 201009762 Y 1/2008
CN 203186508 U 9/2013
CN 203427959 U 2/2014
EP 0529188 A1 3/1993
FR 859864 A 12/1940
WO WO 2018/035060 A1 2/2018

OTHER PUBLICATIONS

OTL Elektrokart, "Storm Series—Competition" Datasheet, Jun. 14, 2014, retrieved on Aug. 6, 2016, <https://www.kart1.com/pdf/competition.pdf>, in 3 pages.

* cited by examiner

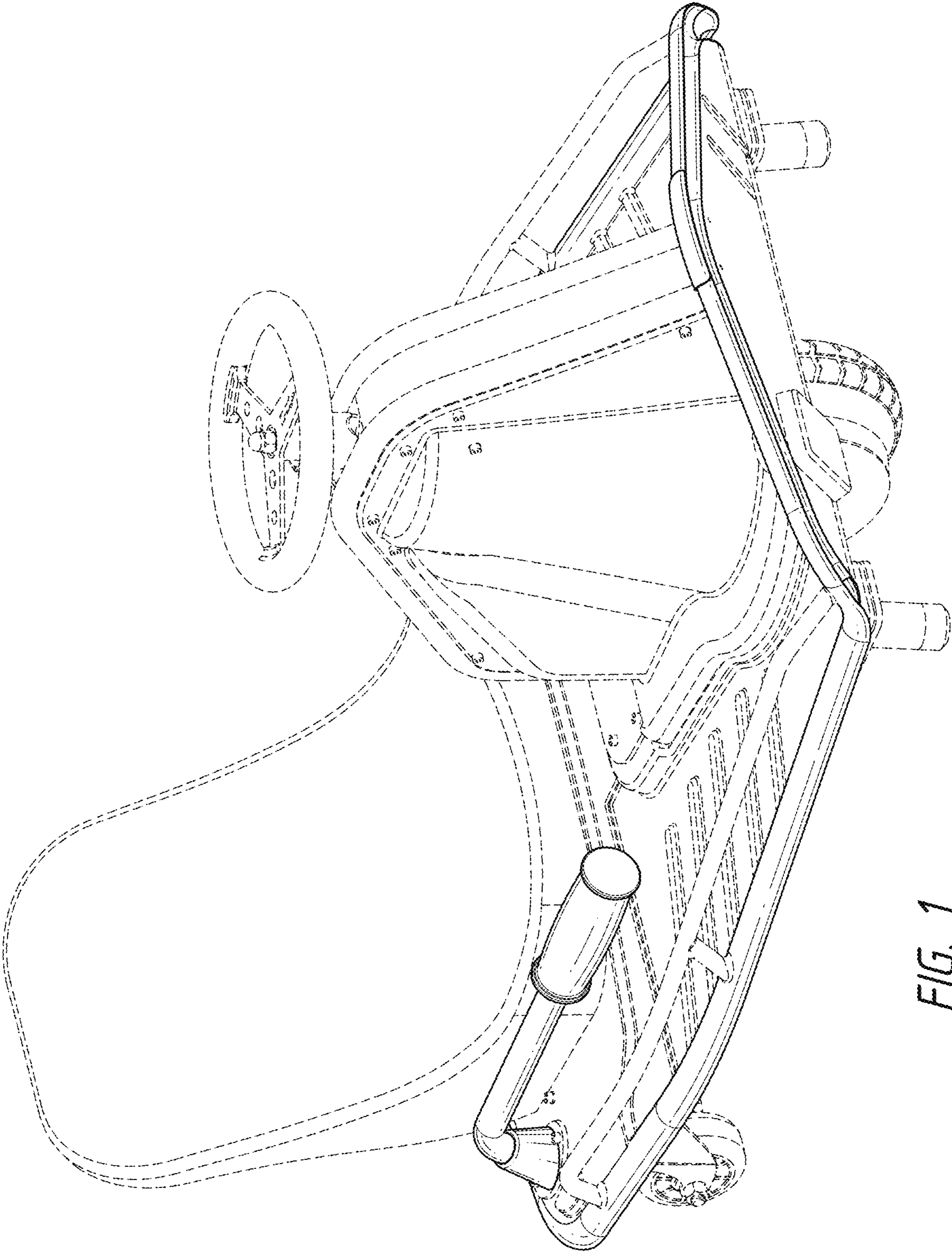


FIG. 1

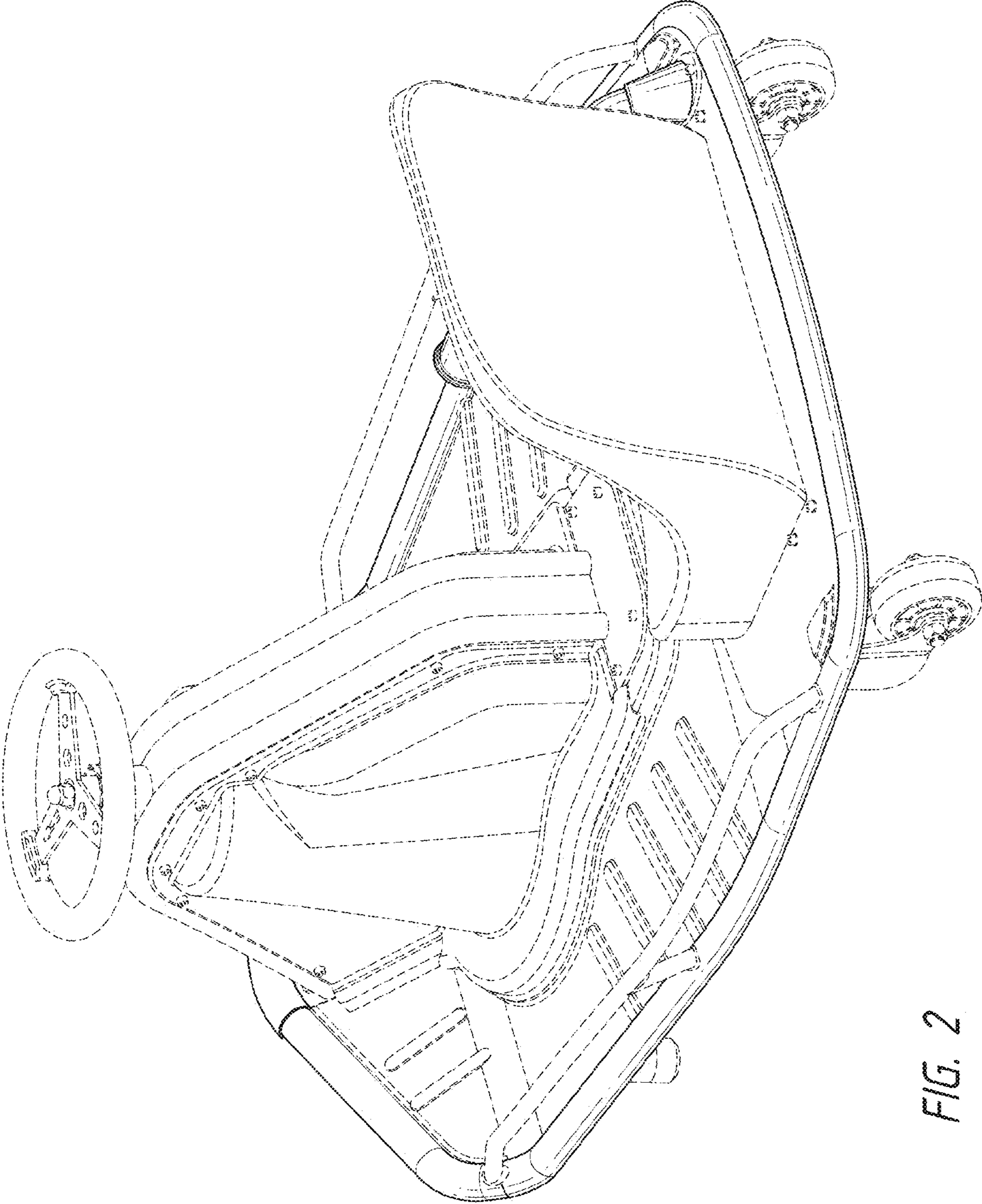


FIG. 2

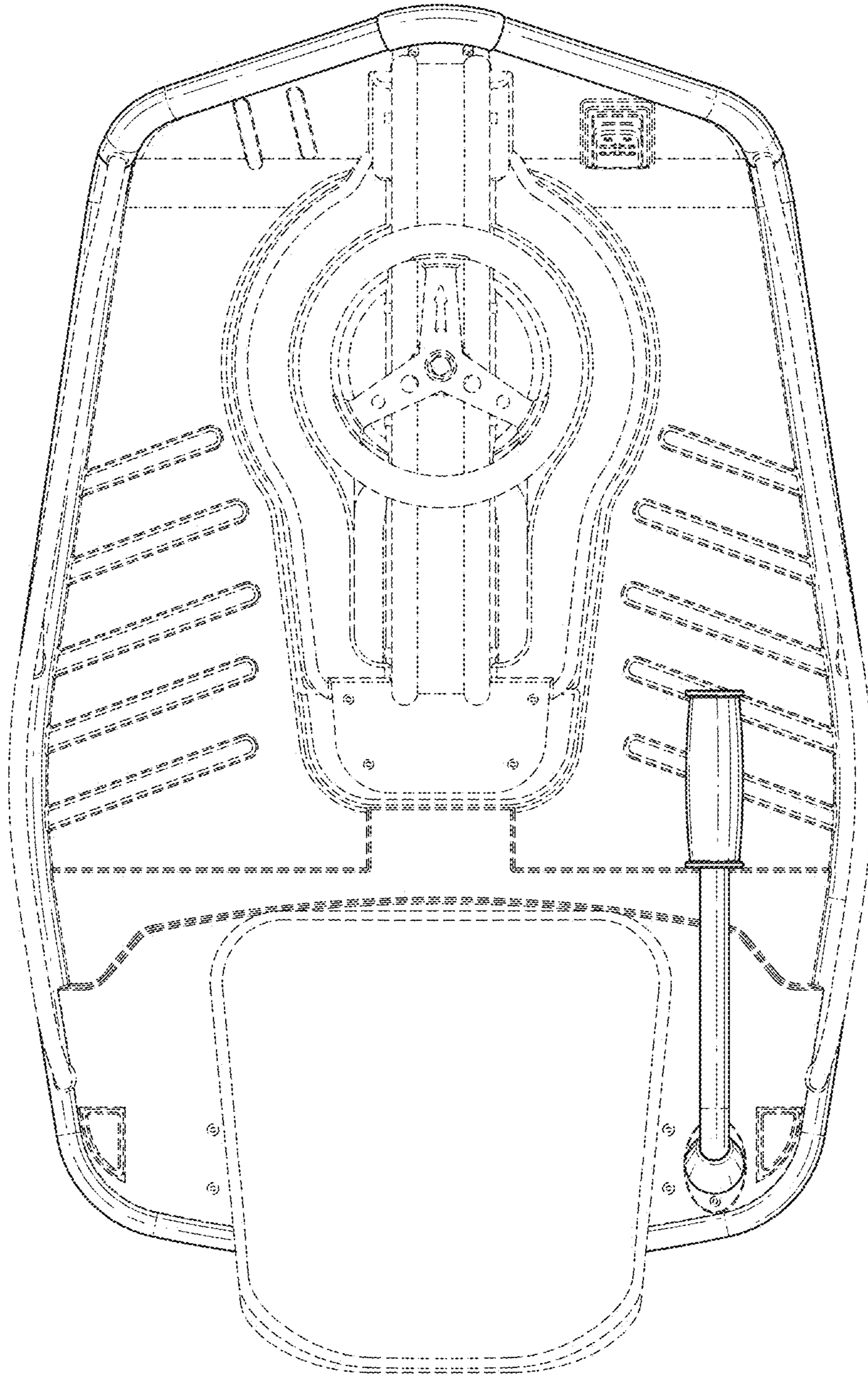


FIG. 3

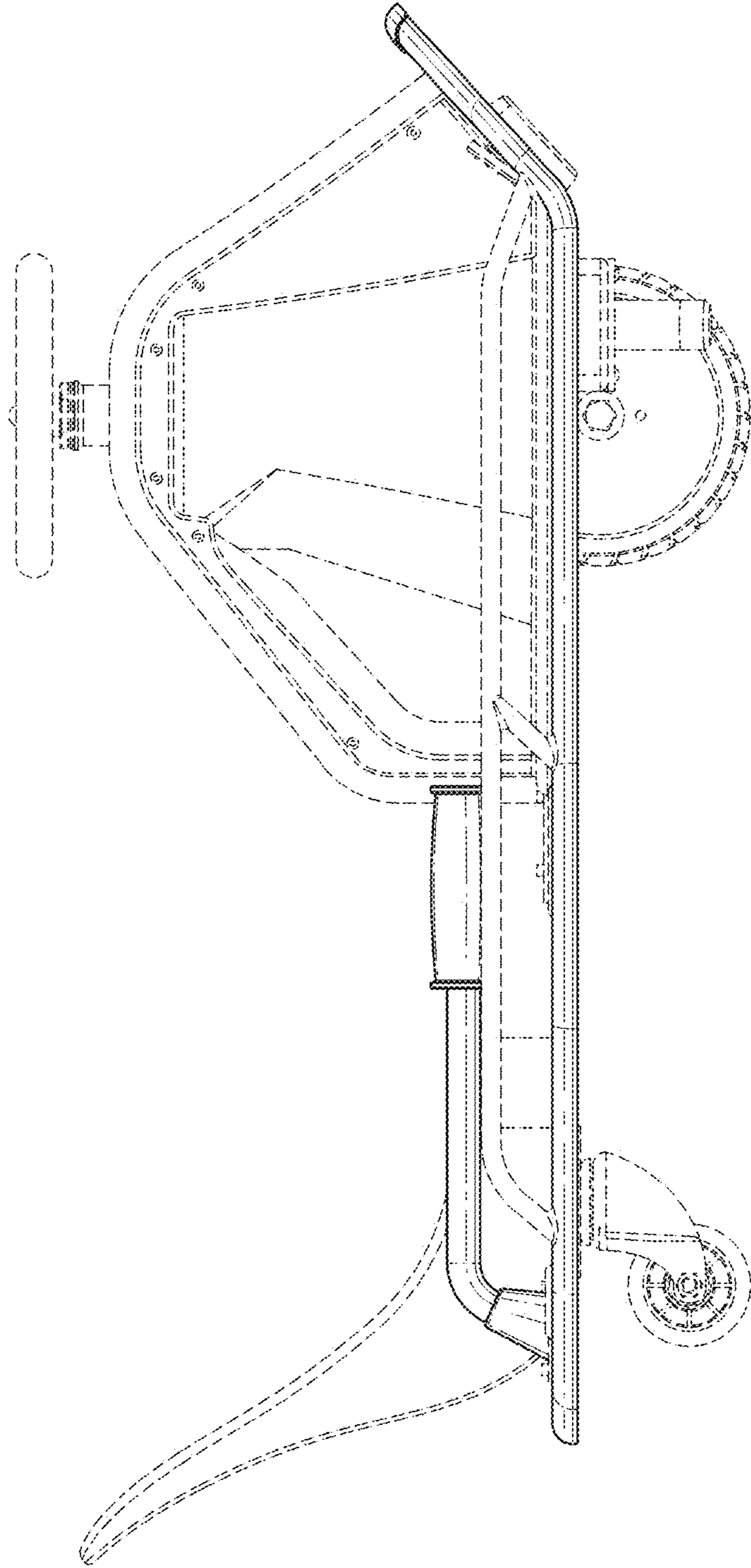


FIG. 4

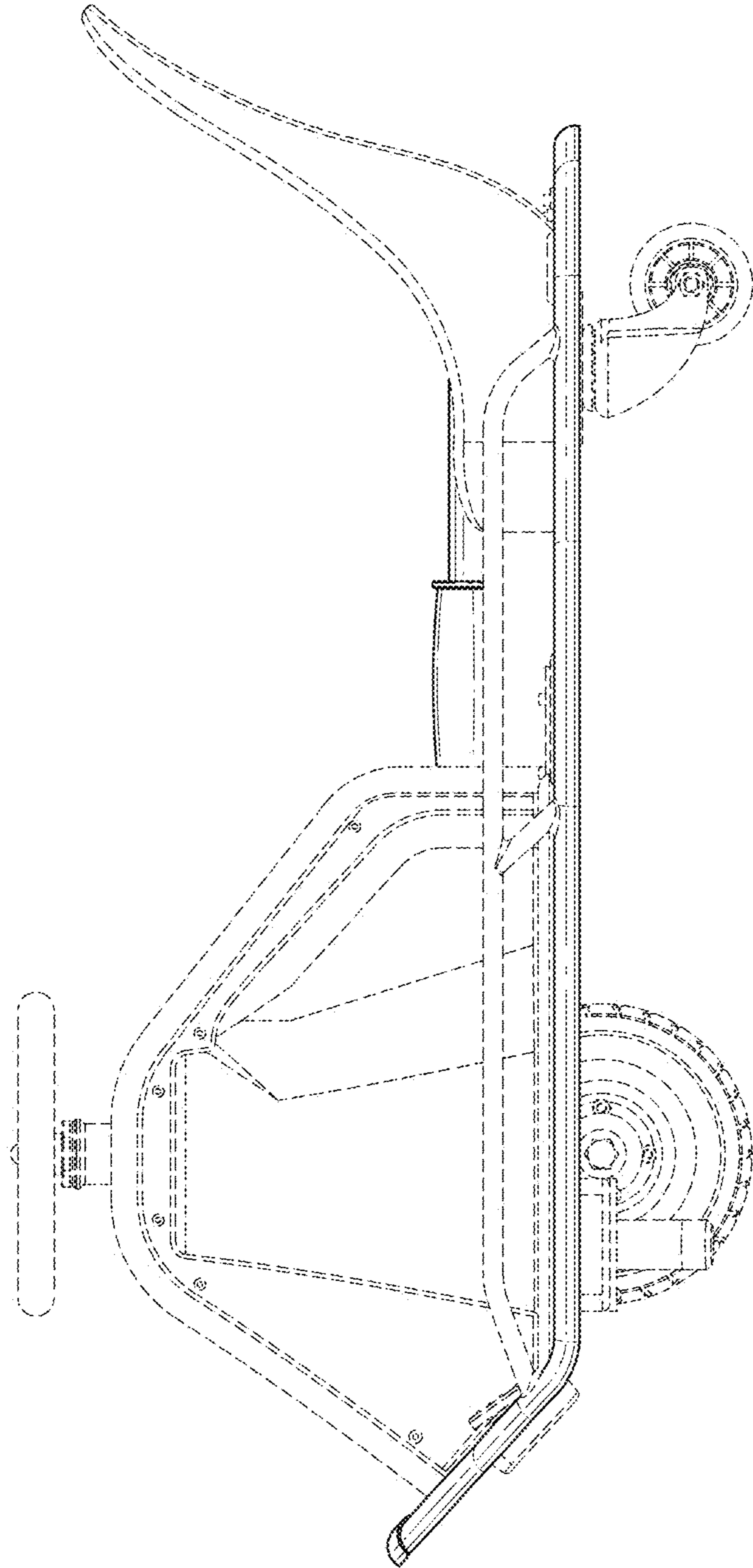


FIG. 5

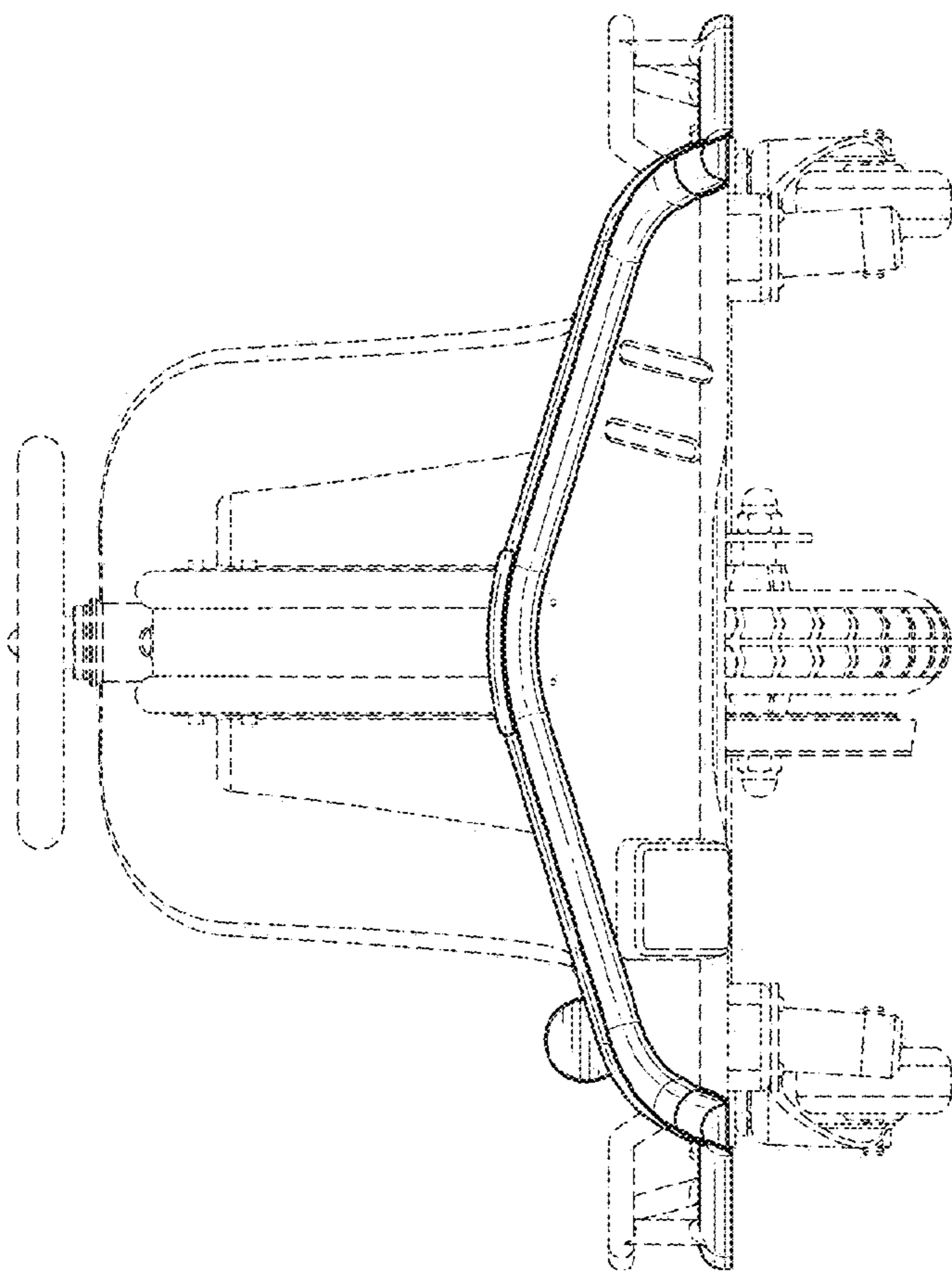


FIG. 6

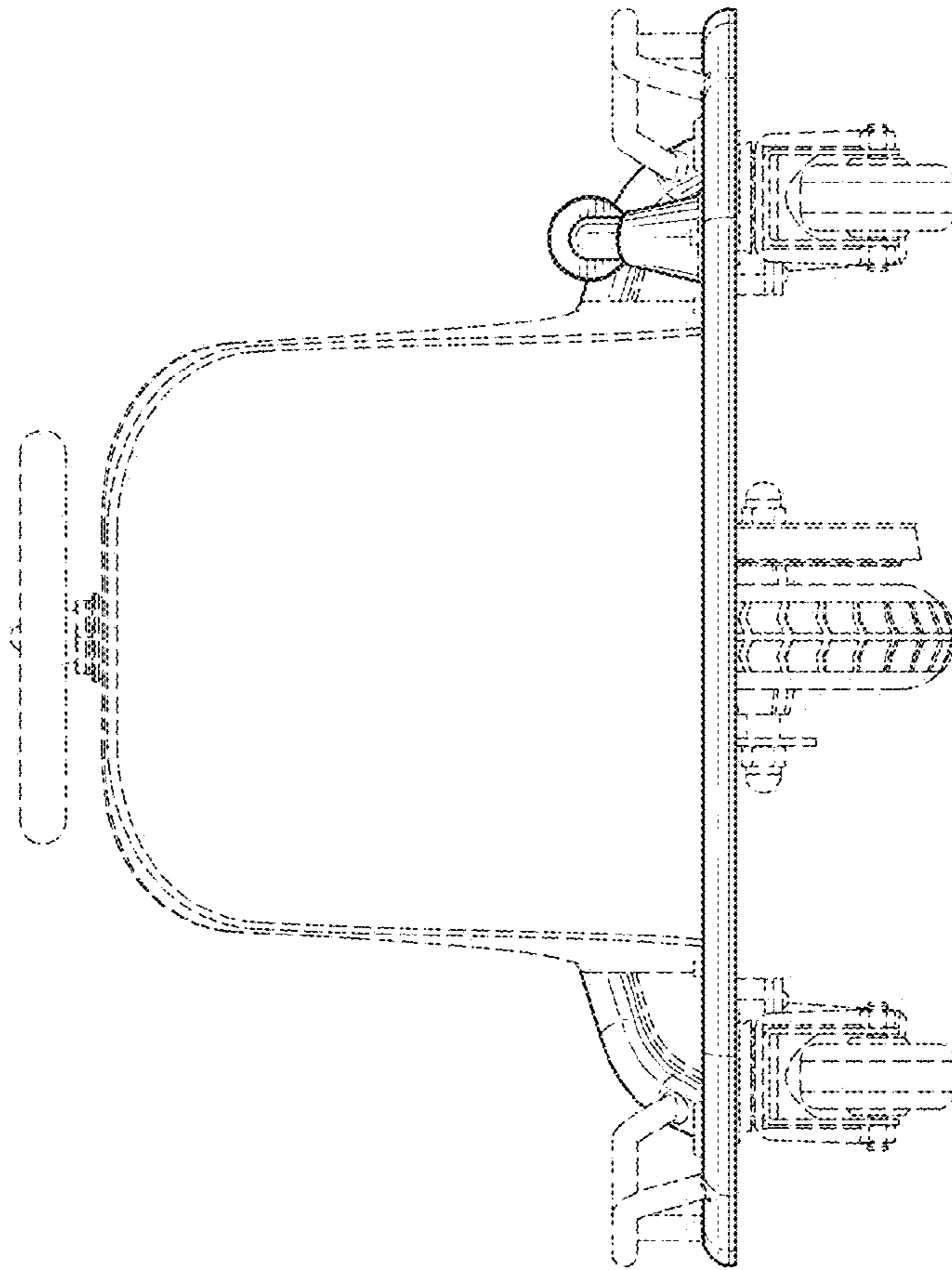


FIG. 7