



US00D890848S

(12) **United States Design Patent**  
**Johnson et al.**

(10) **Patent No.:** **US D890,848 S**  
(45) **Date of Patent:** **\*\* Jul. 21, 2020**

(54) **GAMING MACHINE BASE CABINET**

**DESCRIPTION**

- (71) Applicant: **IGT**, Las Vegas, NV (US)
- (72) Inventors: **Charles Johnson**, Reno, NV (US);  
**Jean-Pierre Legras**, Carson City, NV (US)
- (73) Assignee: **IGT**, Las Vegas, NV (US)
- (\*\*) Term: **15 Years**
- (21) Appl. No.: **29/667,123**
- (22) Filed: **Oct. 18, 2018**
- (51) **LOC (12) Cl.** ..... **21-03**
- (52) **U.S. Cl.**  
USPC ..... **D21/369**
- (58) **Field of Classification Search**  
USPC ..... D21/369, 370, 371, 385, 329, 325, 394;  
D14/307, 172, 129, 325, 401, 371, 126,  
(Continued)

(56) **References Cited**

**U.S. PATENT DOCUMENTS**

D254,249 S     2/1980 Biehl  
5,813,914 A     9/1998 Mckay et al.  
(Continued)

**OTHER PUBLICATIONS**

“Buffalo Grand Class III slot machine—Aristocrat Technologies”,  
Casino Journal (1 page), Aug. 7, 2015.

*Primary Examiner* — Ryan Harvey

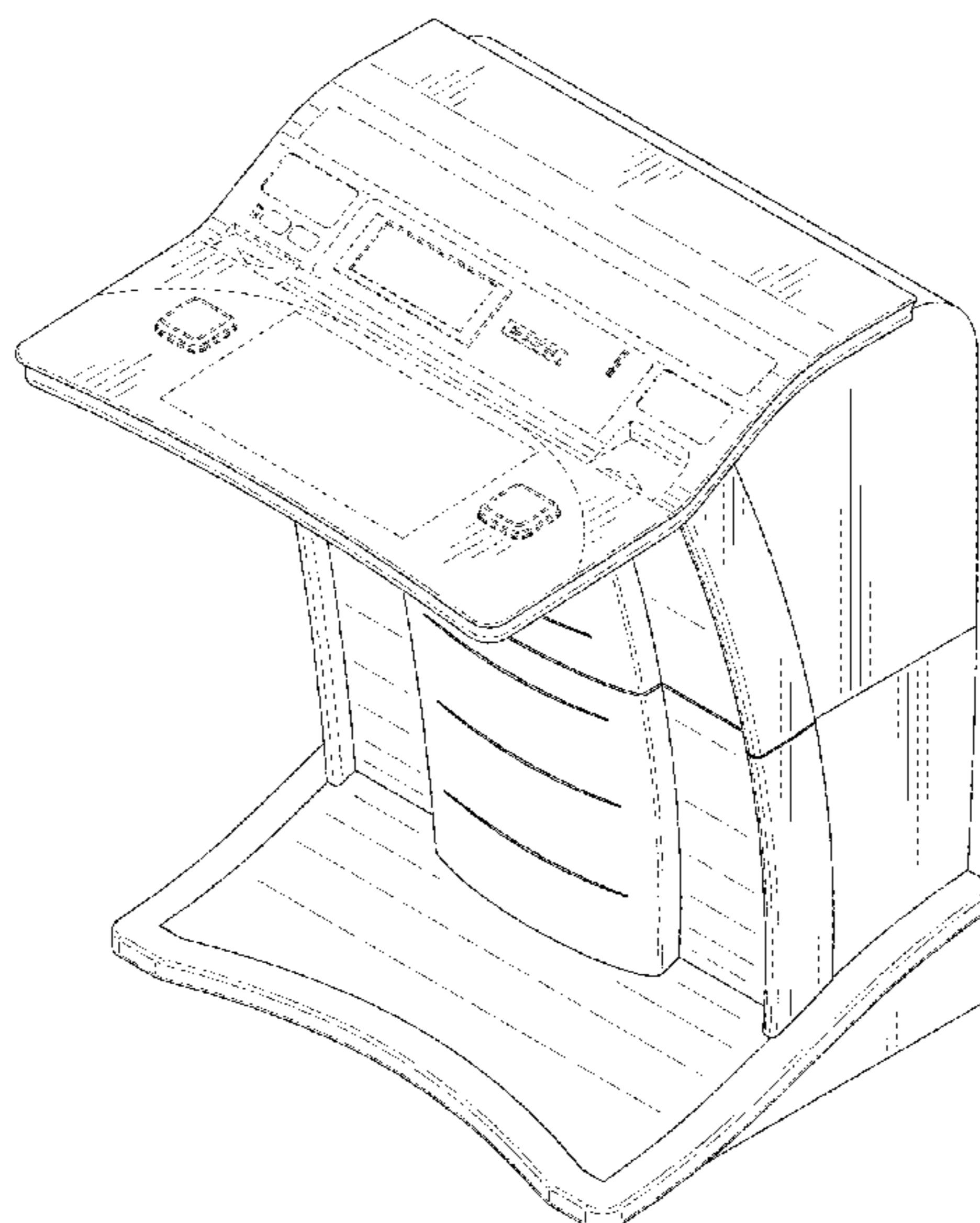
(74) *Attorney, Agent, or Firm* — Neal, Gerber &  
Eisenberg LLP

(57) **CLAIM**

The ornamental design for a gaming machine base cabinet,  
as shown and described herein.

FIG. 1 is a front perspective view of a gaming machine base cabinet of one embodiment our new design.  
FIG. 2 is an enlarged fragmentary front perspective view of the gaming machine base cabinet of FIG. 1.  
FIG. 3 is a front view of the gaming machine base cabinet of FIG. 1.  
FIG. 4 is an enlarged fragmentary front view of the gaming machine base cabinet of FIG. 1.  
FIG. 5 is a rear view of the gaming machine base cabinet of FIG. 1.  
FIG. 6 is a right side view of the gaming machine base cabinet of FIG. 1.  
FIG. 7 is a left side view of the gaming machine base cabinet of FIG. 1.  
FIG. 8 is a top view of the gaming machine base cabinet of FIG. 1.  
FIG. 9 is a bottom view of the gaming machine base cabinet of FIG. 1.  
FIG. 10 is a front perspective view of a gaming machine base cabinet of another embodiment our new design.  
FIG. 11 is an enlarged fragmentary front perspective view of the gaming machine base cabinet of FIG. 10.  
FIG. 12 is a front view of the gaming machine base cabinet of FIG. 10.  
FIG. 13 is an enlarged fragmentary front view of the gaming machine base cabinet of FIG. 10.  
FIG. 14 is a rear view of the gaming machine base cabinet of FIG. 10.  
FIG. 15 is a right side view of the gaming machine base cabinet of FIG. 10.  
FIG. 16 is a left side view of the gaming machine base cabinet of FIG. 10.  
FIG. 17 is a top view of the gaming machine base cabinet of FIG. 10; and,  
FIG. 18 is a bottom view of the gaming machine base cabinet of FIG. 10.  
The portions shown in phantom are not part of the claimed design.

**1 Claim, 18 Drawing Sheets**



(58) **Field of Classification Search**  
 USPC ..... D14/439, 432, 450, 128, 375, 248, 374,  
 D14/341, 138 G, 127; 463/28, 13, 11,  
 463/16, 20, 25, 31, 46, 23, 30, 17, 36, 29,  
 463/42, 34, 32, 35, 19, 21, 22; 273/292,  
 273/203, 138.2, 143 R, 142 R, 138.1;  
 D19/60; D16/226; D8/335, 331, 334;  
 D26/141; D7/641  
 CPC ..... G07F 17/32; G07F 17/34; G07F 17/3211;  
 G07F 17/3244; G07F 17/3267  
 See application file for complete search history.

(56) **References Cited**

U.S. PATENT DOCUMENTS

D464,377 S \* 10/2002 Wurz ..... D21/369  
 6,685,560 B1 \* 2/2004 Hughes ..... G07F 17/32  
 463/16  
 6,688,984 B2 2/2004 Cole  
 D508,269 S \* 8/2005 Wichinsky ..... D21/325  
 D508,719 S \* 8/2005 de Haas ..... D21/325  
 D508,961 S \* 8/2005 Gatto ..... D21/325  
 6,997,810 B2 2/2006 Cole  
 D523,092 S \* 6/2006 Karlsson ..... D21/329  
 D535,338 S \* 1/2007 Linard ..... D21/369  
 D539,854 S \* 4/2007 Luciano ..... D21/369  
 7,267,613 B2 9/2007 Cole  
 D559,917 S 1/2008 Cole  
 7,396,282 B2 7/2008 Gauselmann  
 D596,678 S \* 7/2009 Myers ..... D21/370  
 D603,909 S \* 11/2009 De Viveiros Ortiz ..... D21/325  
 D604,368 S 11/2009 Lesley et al.  
 D604,774 S \* 11/2009 De Viveiros Ortiz ..... D21/325  
 D613,802 S \* 4/2010 Meyers ..... D21/370  
 D622,780 S 8/2010 Lesley et al.  
 D622,781 S 8/2010 Lesley et al.  
 D633,950 S \* 3/2011 Terpstra ..... D21/369  
 D646,336 S 10/2011 Kelly et al.  
 D646,337 S 10/2011 Kelly et al.  
 8,033,902 B2 10/2011 Wells et al.  
 D649,605 S \* 11/2011 Terpstra ..... D21/370  
 8,216,065 B2 7/2012 Kaminkow et al.  
 D677,736 S \* 3/2013 Dorn ..... D21/370  
 D685,033 S \* 6/2013 Wudtke ..... D21/370  
 D697,558 S \* 1/2014 Myers ..... D21/325  
 D706,741 S \* 6/2014 Myers ..... D14/172  
 8,870,663 B2 10/2014 Cole  
 D719,615 S \* 12/2014 Inoue ..... D21/370  
 D721,766 S \* 1/2015 Ferrazoli ..... D21/370  
 8,974,297 B2 3/2015 Massing et al.  
 D736,752 S \* 8/2015 Lee ..... D14/248  
 D740,888 S \* 10/2015 DePalma ..... D21/370  
 D742,975 S \* 11/2015 Myers ..... D21/370  
 9,183,697 B2 \* 11/2015 Kido ..... G07F 17/3211  
 9,224,268 B2 12/2015 Aoki et al.  
 D752,573 S \* 3/2016 Ballman ..... D14/307  
 RE46,169 E 10/2016 Kelly et al.  
 9,659,434 B2 \* 5/2017 Bainbridge ..... G07F 17/3218

9,679,435 B2 \* 6/2017 Schrementi ..... G07F 17/3213  
 9,704,337 B2 \* 7/2017 Riggs ..... G07F 17/3258  
 9,747,754 B2 \* 8/2017 Carpenter ..... G07F 17/3286  
 D803,323 S \* 11/2017 Bussey ..... D21/369  
 D803,324 S \* 11/2017 Bussey ..... D21/370  
 D808,354 S \* 1/2018 Castro ..... D14/127  
 D809,068 S \* 1/2018 Ballman ..... D21/369  
 D809,069 S \* 1/2018 Ballman ..... D21/369  
 D812,146 S \* 3/2018 Castro ..... D21/369  
 D812,147 S 3/2018 Castro et al.  
 D812,148 S 3/2018 Castro et al.  
 D812,149 S 3/2018 Castro et al.  
 D819,747 S 6/2018 Castro et al.  
 D820,915 S \* 6/2018 Lee ..... D21/369  
 D822,117 S \* 7/2018 Costa ..... D21/325  
 D832,355 S \* 10/2018 Castro ..... D21/369  
 D832,356 S \* 10/2018 Castro ..... D21/369  
 D834,652 S \* 11/2018 Lee ..... D21/369  
 10,181,236 B2 \* 1/2019 Goldstein ..... G07F 17/3216  
 D842,930 S 3/2019 Johnson et al.  
 D842,933 S \* 3/2019 Castro ..... D21/396  
 D843,459 S \* 3/2019 Castro ..... D21/369  
 D843,460 S \* 3/2019 Castro ..... D21/369  
 D843,461 S \* 3/2019 Castro ..... D21/369  
 D843,462 S \* 3/2019 Castro ..... D21/369  
 D843,463 S \* 3/2019 Castro ..... D21/369  
 D843,464 S \* 3/2019 Castro ..... D21/369  
 D843,465 S \* 3/2019 Castro ..... D21/369  
 D843,466 S \* 3/2019 Castro ..... D21/369  
 D843,467 S 3/2019 Johnson et al.  
 D843,468 S 3/2019 Johnson et al.  
 D843,473 S \* 3/2019 Zedell, Jr. .... D21/369  
 D843,474 S \* 3/2019 Lesley ..... D21/369  
 D843,475 S \* 3/2019 Lesley ..... D21/369  
 D843,476 S \* 3/2019 Lesley ..... D21/369  
 D846,650 S \* 4/2019 Stair ..... D21/369  
 10,297,103 B2 \* 5/2019 Hornik ..... G07F 17/3213  
 D850,536 S \* 6/2019 Stair ..... D21/370  
 D850,537 S \* 6/2019 Urban ..... D21/370  
 D854,620 S \* 7/2019 Yeh ..... D21/369  
 10,339,751 B2 \* 7/2019 Scott ..... G07F 17/3206  
 D858,641 S 9/2019 Legras et al.  
 2005/0014547 A1 \* 1/2005 Gomez ..... G07F 17/3202  
 463/16  
 2008/0182652 A1 7/2008 Rasmussen et al.  
 2009/0221375 A1 9/2009 Luciano et al.  
 2009/0233681 A1 9/2009 Tsukahara  
 2010/0120541 A1 \* 5/2010 Lesley ..... G07F 17/32  
 463/46  
 2010/0124962 A1 \* 5/2010 Chudek ..... G07F 17/32  
 463/13  
 2016/0093143 A1 \* 3/2016 Lamb ..... G07F 17/3213  
 463/20  
 2016/0364946 A1 \* 12/2016 Castro ..... G07F 17/3216  
 2017/0092052 A1 \* 3/2017 McKay ..... G07F 17/3216  
 2018/0078854 A1 3/2018 Achmueller et al.  
 2018/0089960 A1 3/2018 Caputo et al.  
 2019/0102971 A1 \* 4/2019 Schoonmaker ..... G07F 17/3211  
 2019/0102974 A1 \* 4/2019 Bussey ..... G07F 17/3211

\* cited by examiner

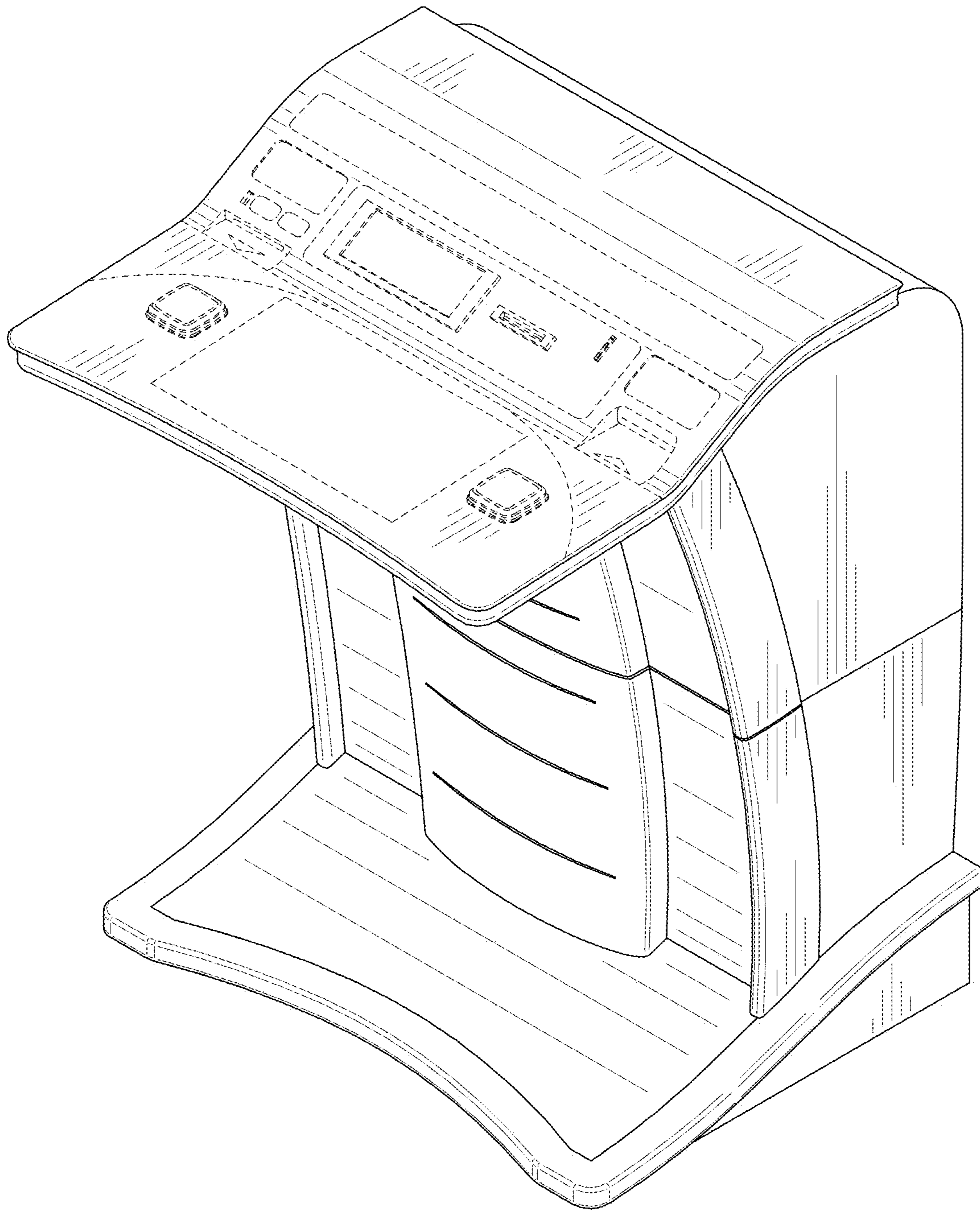


FIG. 1

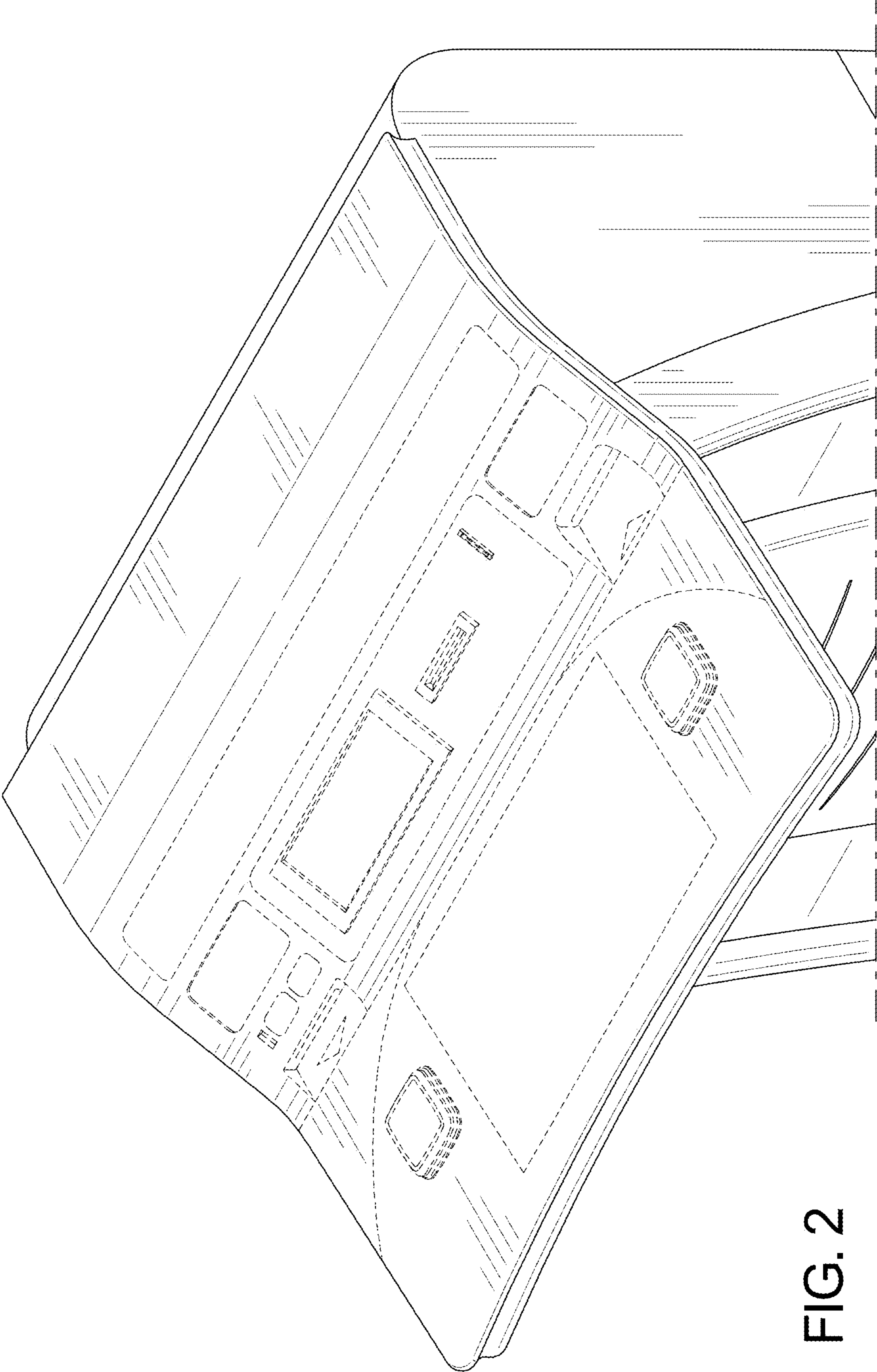


FIG. 2

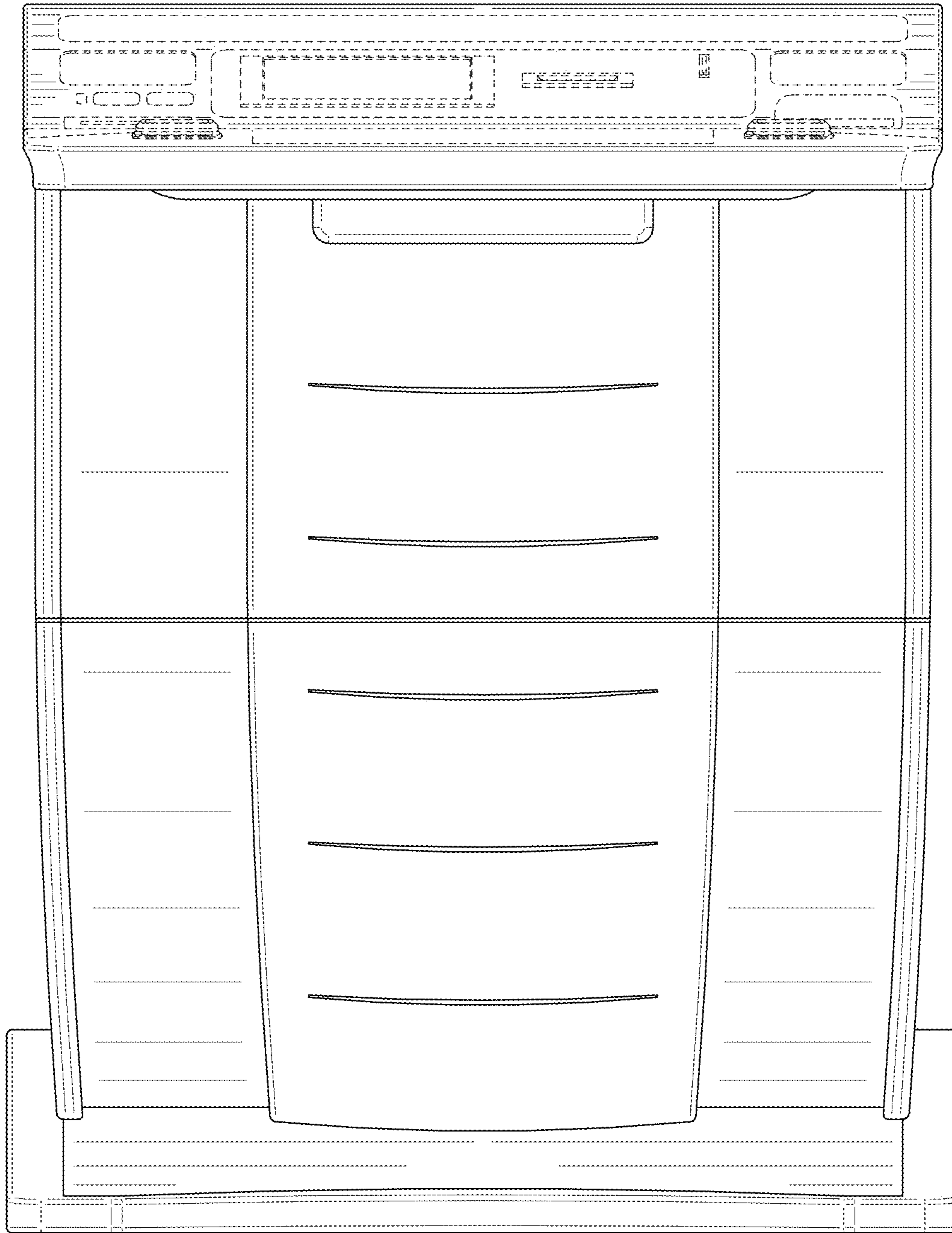


FIG. 3

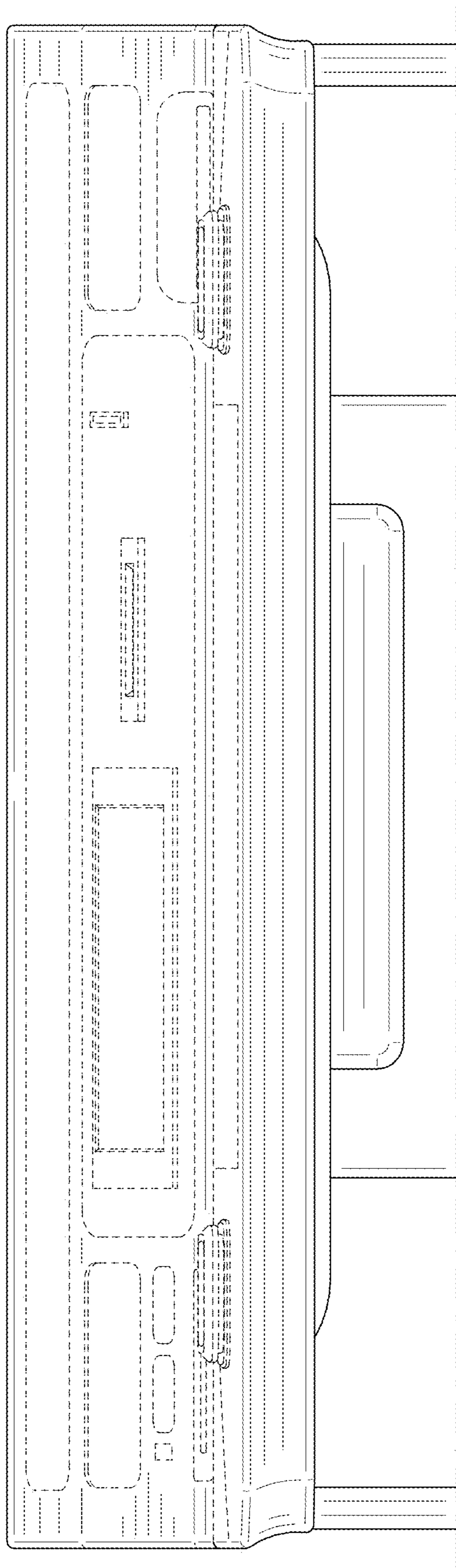


FIG. 4

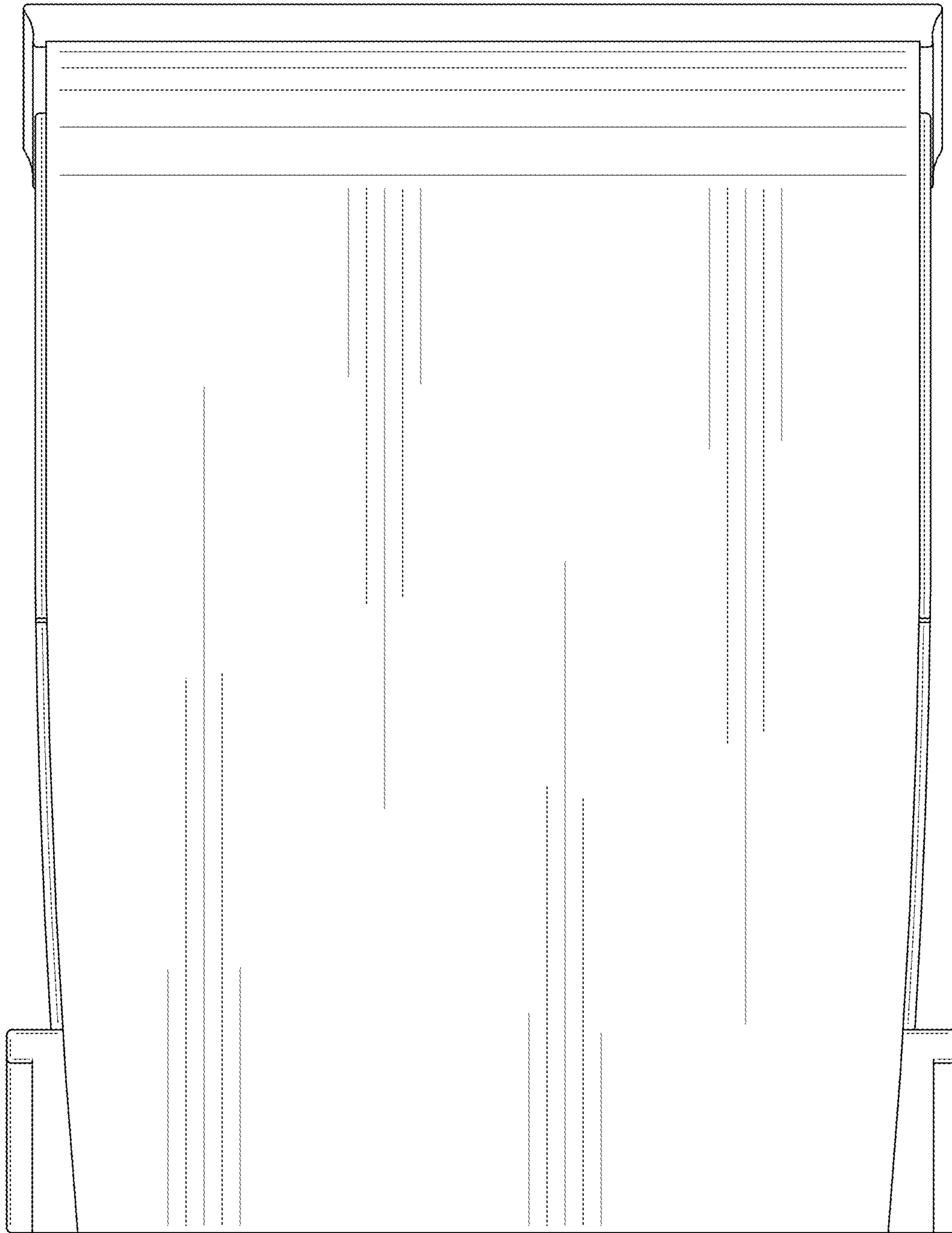


FIG. 5

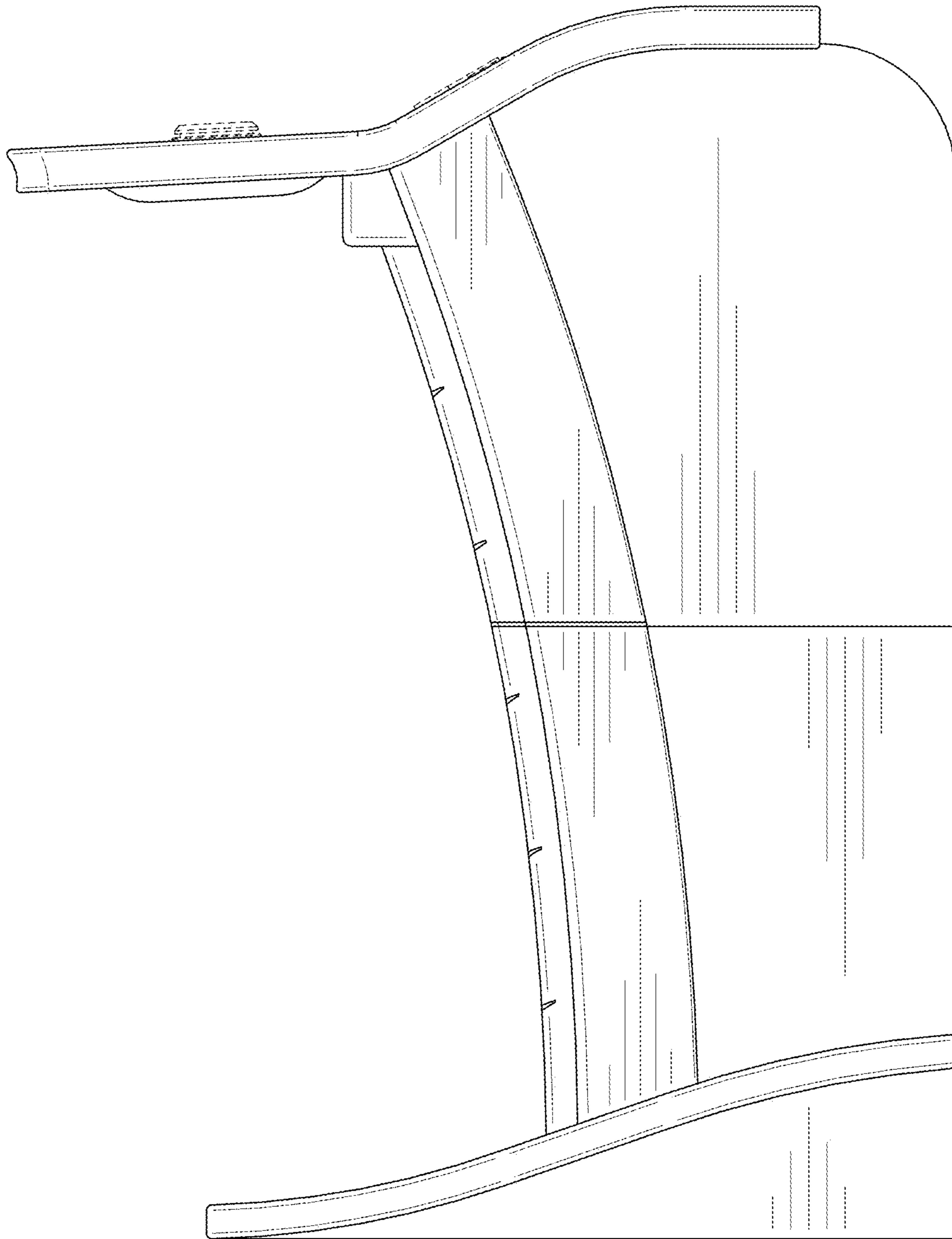


FIG. 6



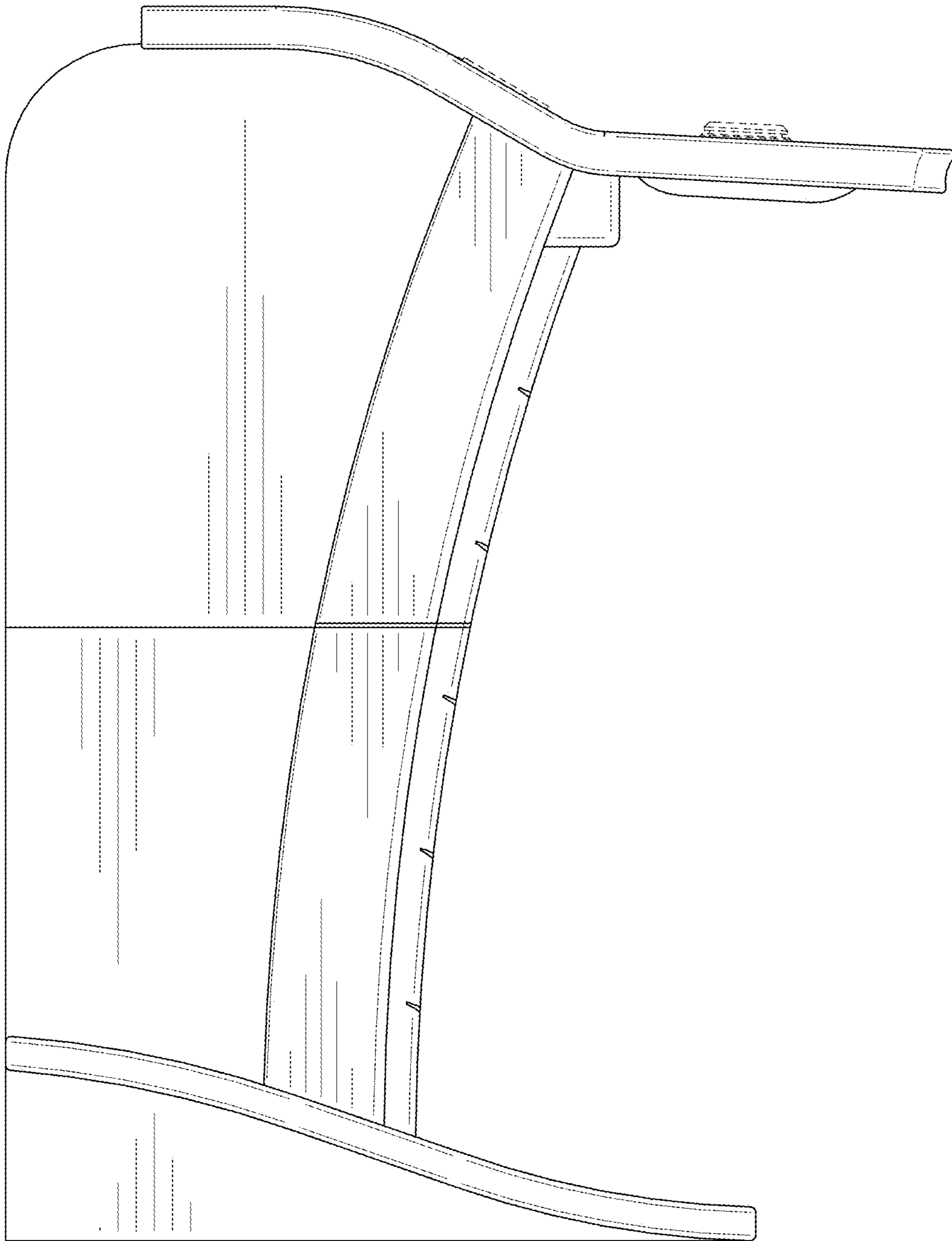


FIG. 7

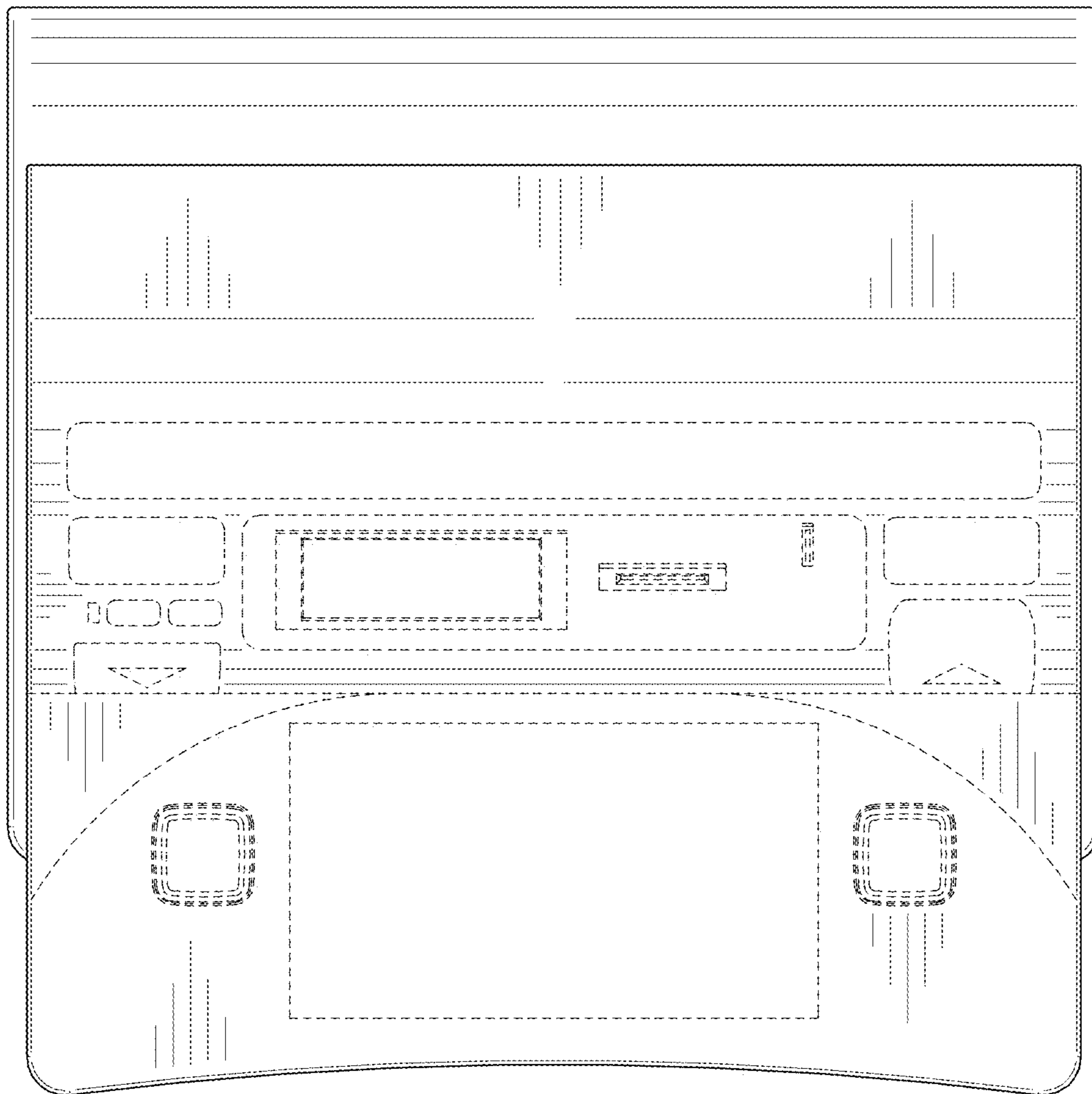


FIG. 8

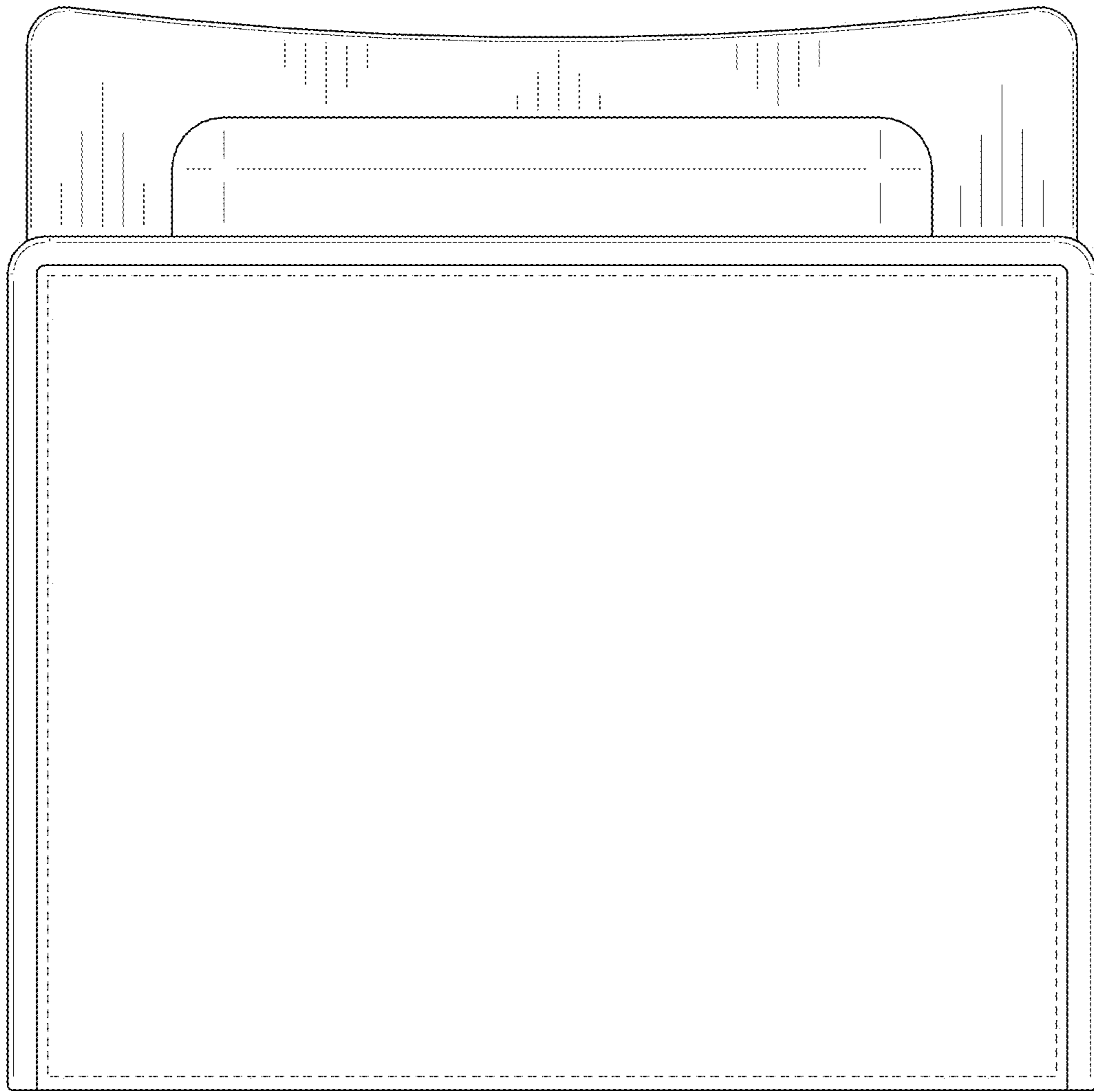


FIG. 9

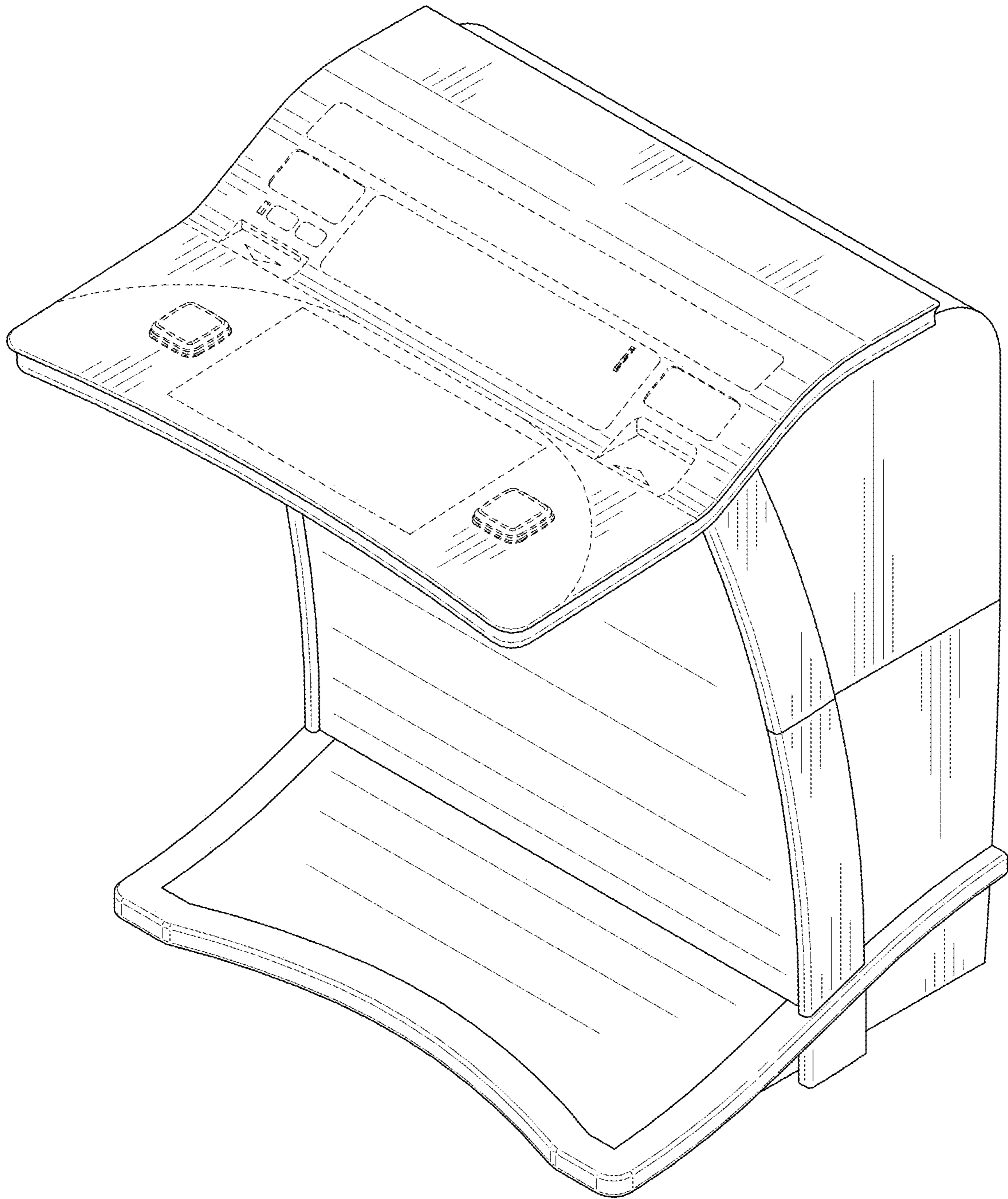


FIG. 10

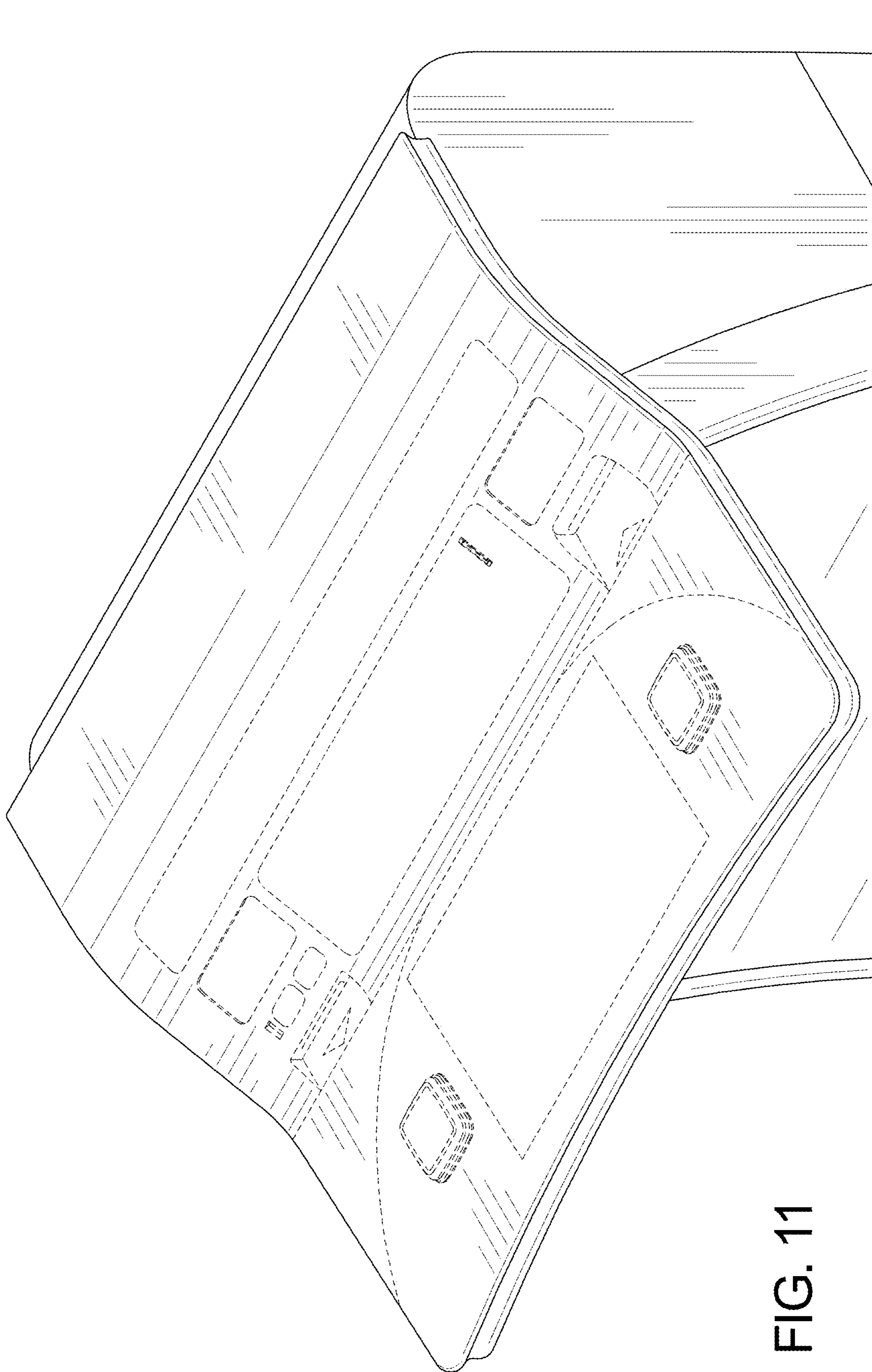


FIG. 11

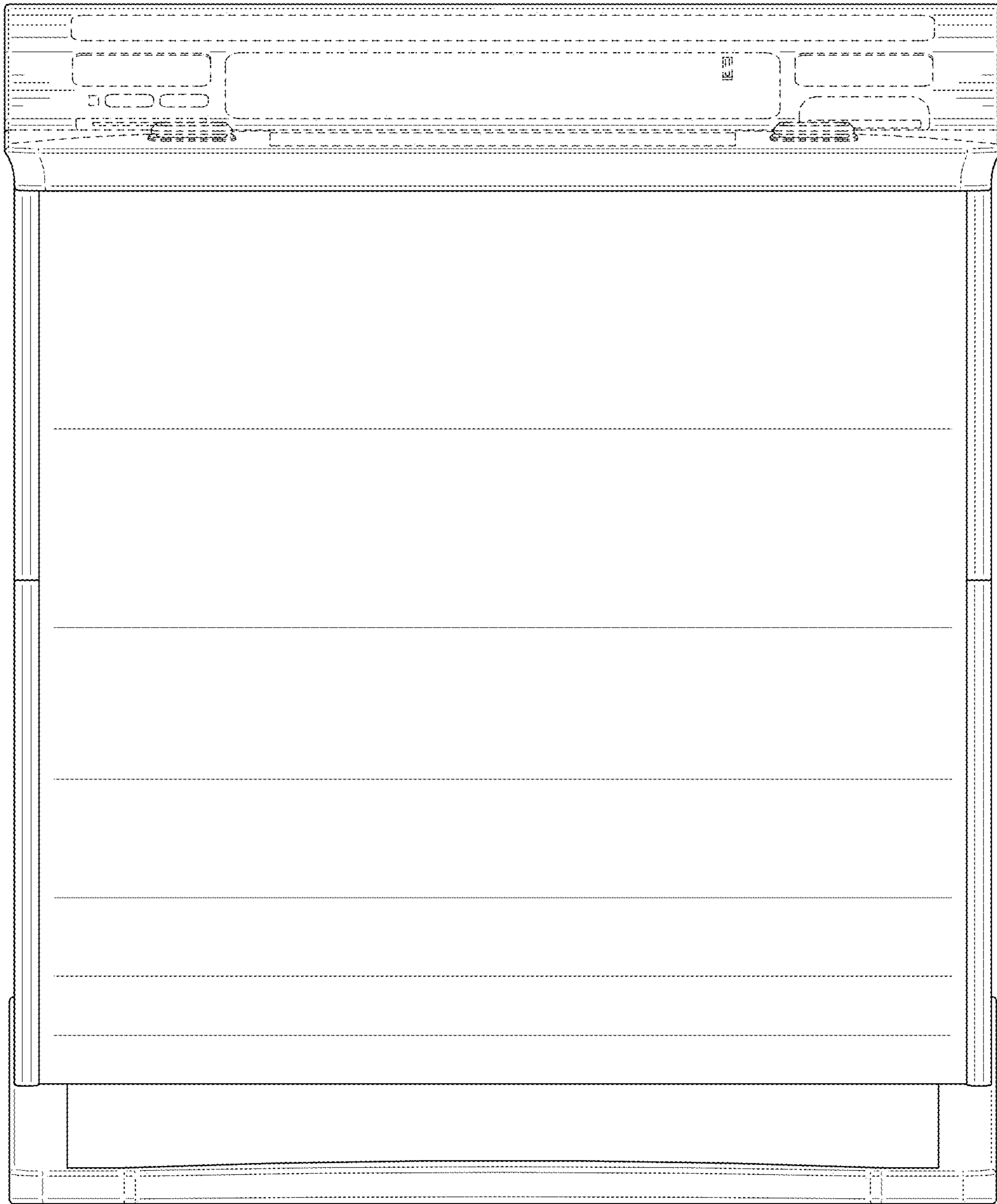


FIG. 12

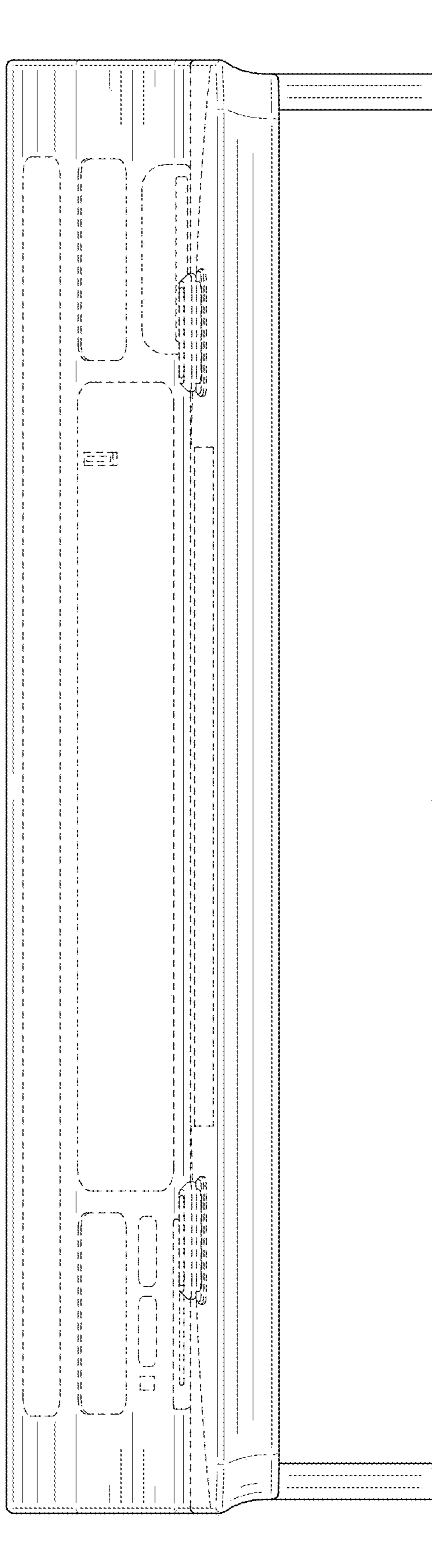


FIG. 13

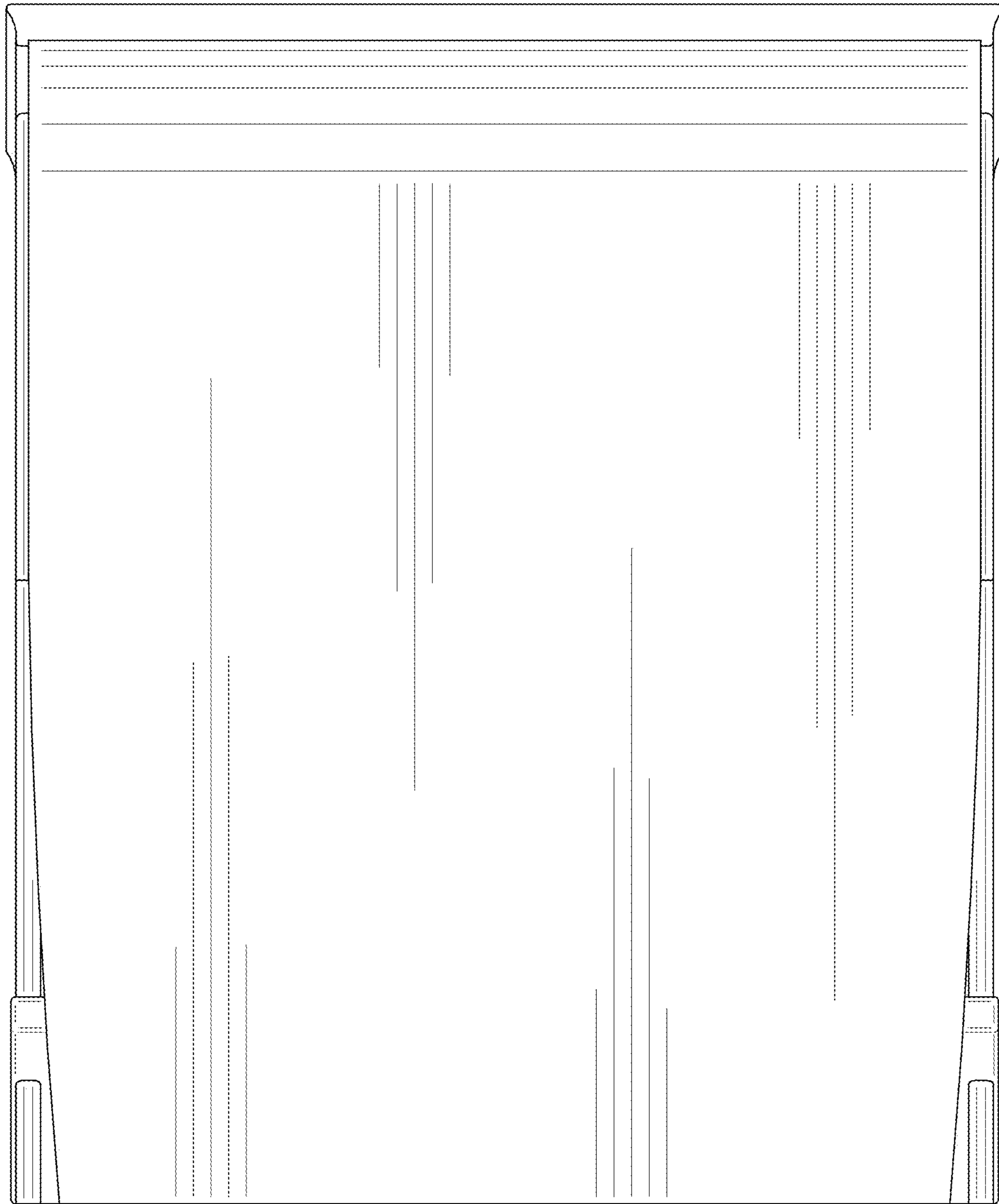


FIG. 14



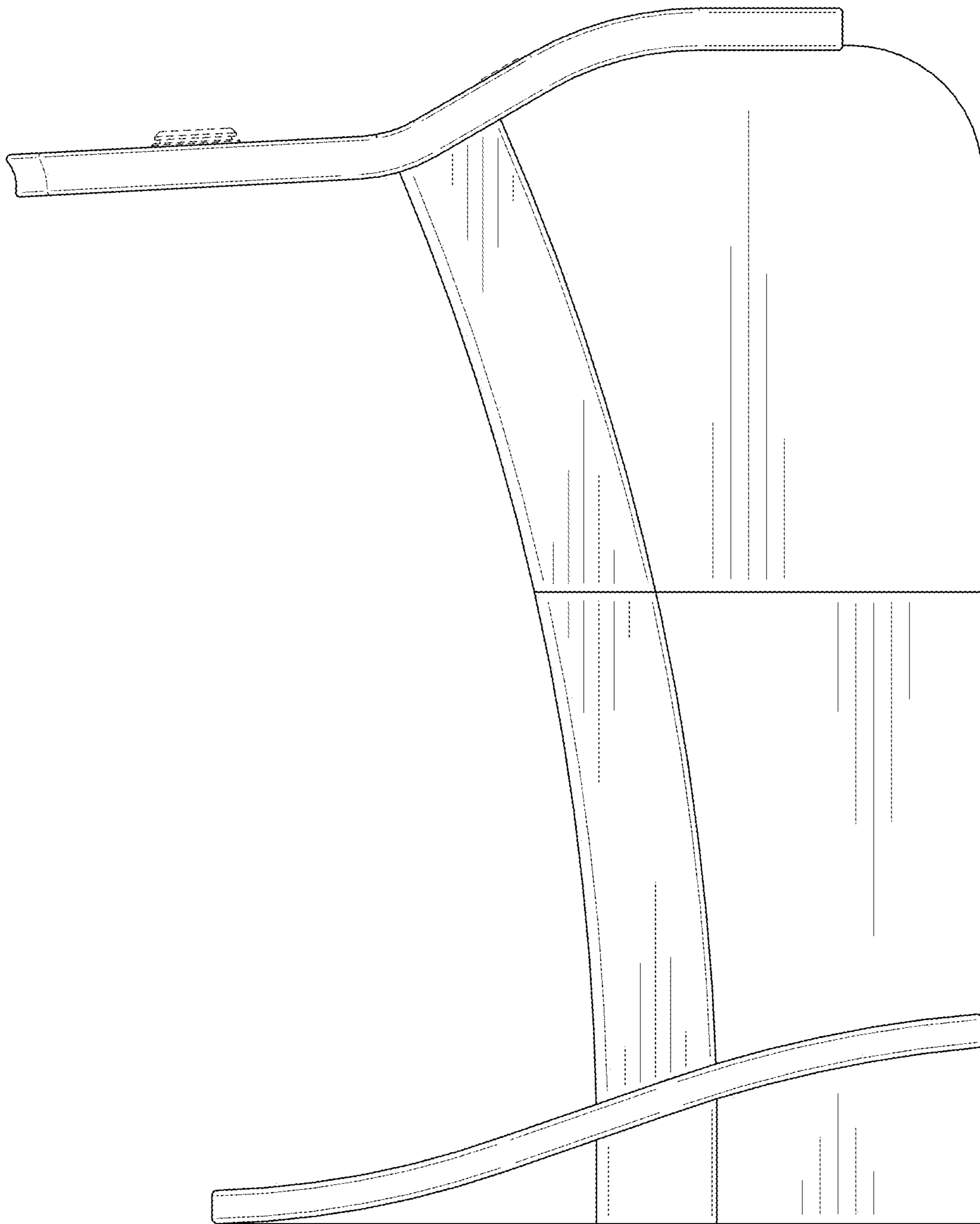


FIG. 15

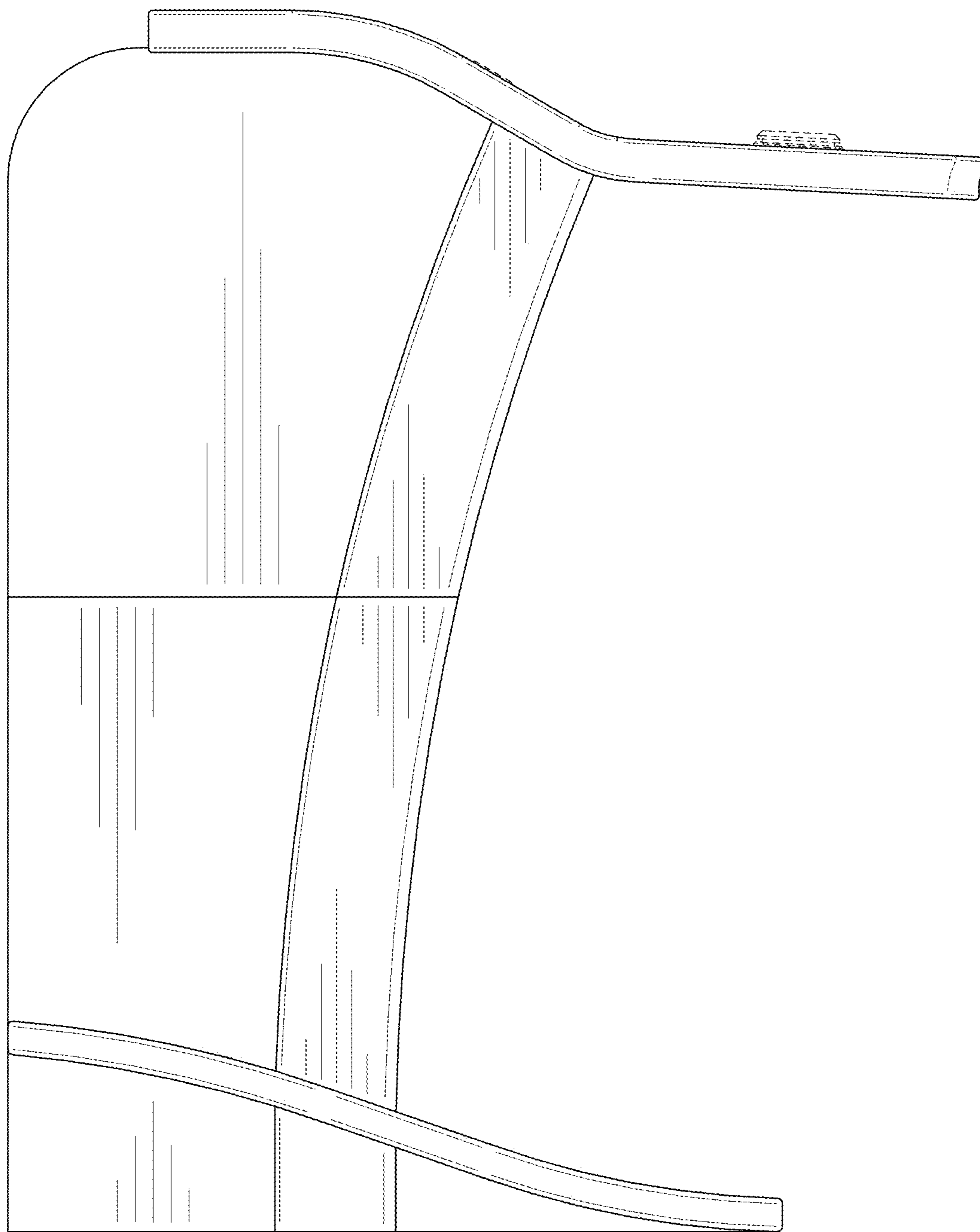


FIG. 16

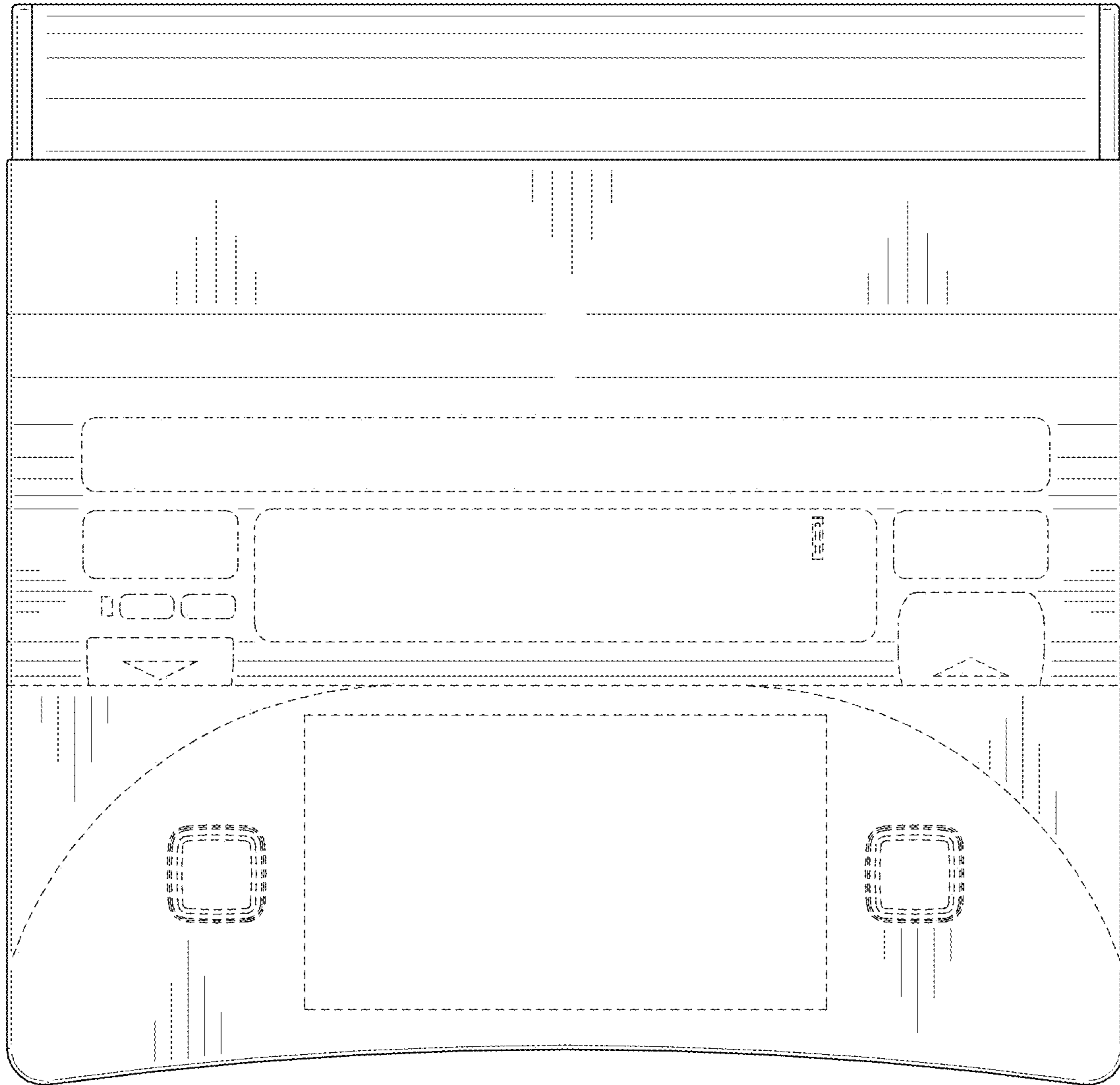


FIG. 17

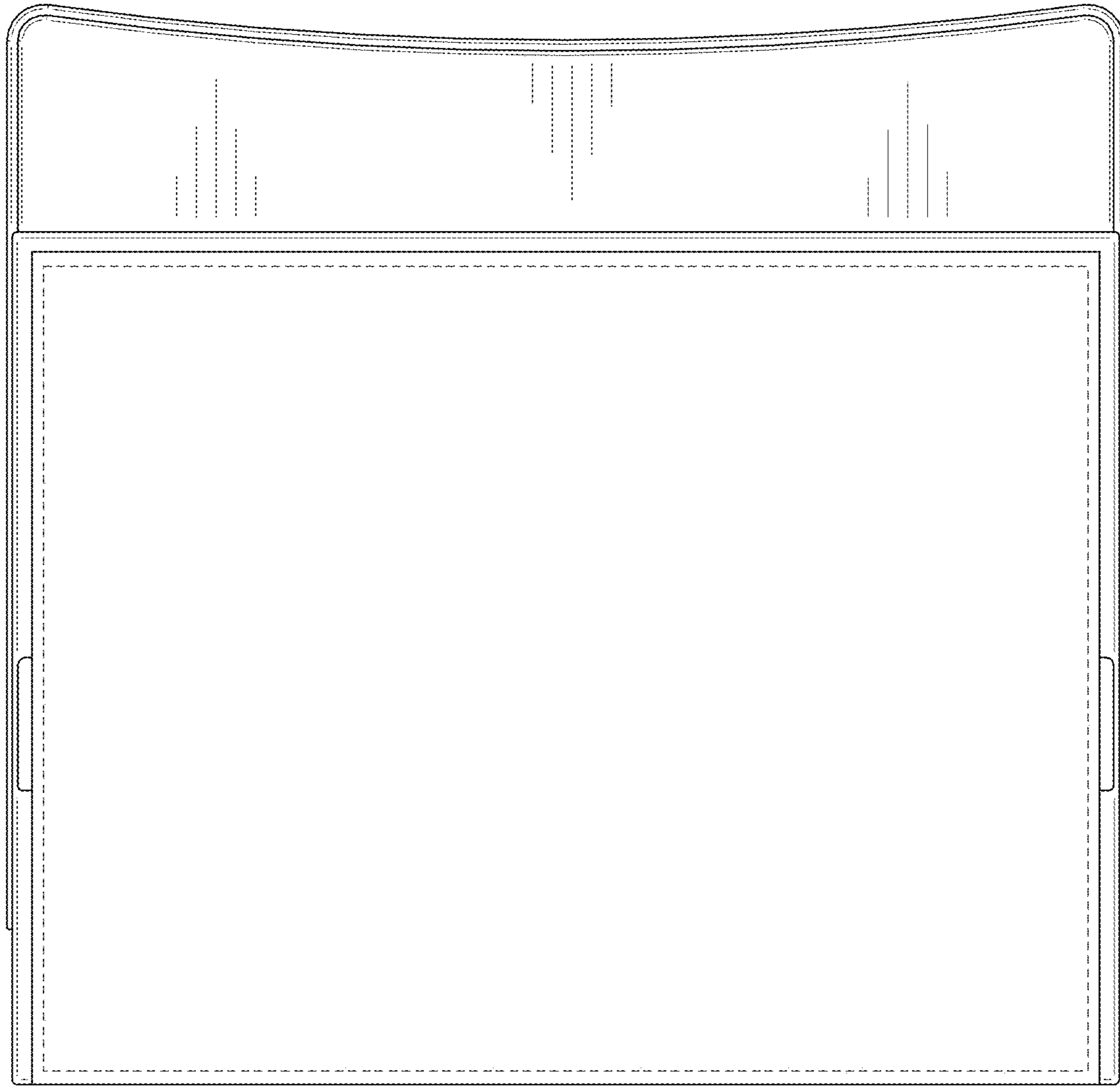


FIG. 18