



US00D890841S

(12) **United States Design Patent**  
**Li**

(10) **Patent No.:** **US D890,841 S**

(45) **Date of Patent:** **\*\* Jul. 21, 2020**

(54) **SHARPENER**

(71) Applicant: **Shanghai Lees Manufacturing Co., Ltd.**, Shanghai (CN)

(72) Inventor: **Lei Xin Li**, Shanghai (CN)

(73) Assignee: **Shanghai Lees Manufacturing Co., Ltd.**, Shanghai (CN)

(\*\*) Term: **15 Years**

(21) Appl. No.: **29/670,791**

(22) Filed: **Nov. 20, 2018**

(30) **Foreign Application Priority Data**

Jun. 29, 2018 (CN) ..... 2018 3 0342299

(51) **LOC (12) Cl.** ..... **19-06**

(52) **U.S. Cl.**  
USPC ..... **D19/73**

(58) **Field of Classification Search**  
USPC ..... D19/72-74; D9/695-699, 711-712  
CPC ..... B43L 23/00; B43L 23/002; B43L 23/004;  
B43L 23/006; B43L 23/008; B43L 23/02;  
B43L 23/04; B43L 23/06; B43L 23/08  
See application file for complete search history.

(56) **References Cited**

**U.S. PATENT DOCUMENTS**

D92,135 S *	5/1934	Johnson	.....	D9/697
D319,178 S *	8/1991	Katada	.....	D9/652
D325,339 S *	4/1992	Jones	.....	D9/697
D459,212 S *	6/2002	Gobe	.....	D9/697
D477,847 S *	7/2003	Gosse	.....	D19/73
D488,059 S *	4/2004	Mounier	.....	D9/697
D547,671 S *	7/2007	Penfold	.....	D9/697

D547,672 S *	7/2007	Penfold	.....	D9/697
D551,088 S *	9/2007	Dittmer	.....	D9/697
D559,703 S *	1/2008	Egawa	.....	D9/697
D568,171 S *	5/2008	Kawashima	.....	D9/699
D622,319 S *	8/2010	Stukenkemper	.....	D19/73
D648,224 S *	11/2011	Spence	.....	D9/695
D664,862 S *	8/2012	Smith	.....	D9/695
D670,572 S *	11/2012	Bahrami	.....	D9/697
D676,333 S *	2/2013	Fracasso	.....	D9/697
D699,587 S *	2/2014	Pilon	.....	D9/697
D702,561 S *	4/2014	Fournier	.....	D9/695
D735,029 S *	7/2015	Markle	.....	D9/434
D766,100 S *	9/2016	Jung	.....	D9/697
D802,440 S *	11/2017	Richmond	.....	D9/695
D816,509 S *	5/2018	Jung	.....	D9/697
D826,729 S *	8/2018	Kim	.....	D9/697
D838,603 S *	1/2019	Kim	.....	D9/697
D856,815 S *	8/2019	Rossi	.....	D9/697

\* cited by examiner

*Primary Examiner* — Elizabeth A. Albert

(74) *Attorney, Agent, or Firm* — Mark M. Friedman

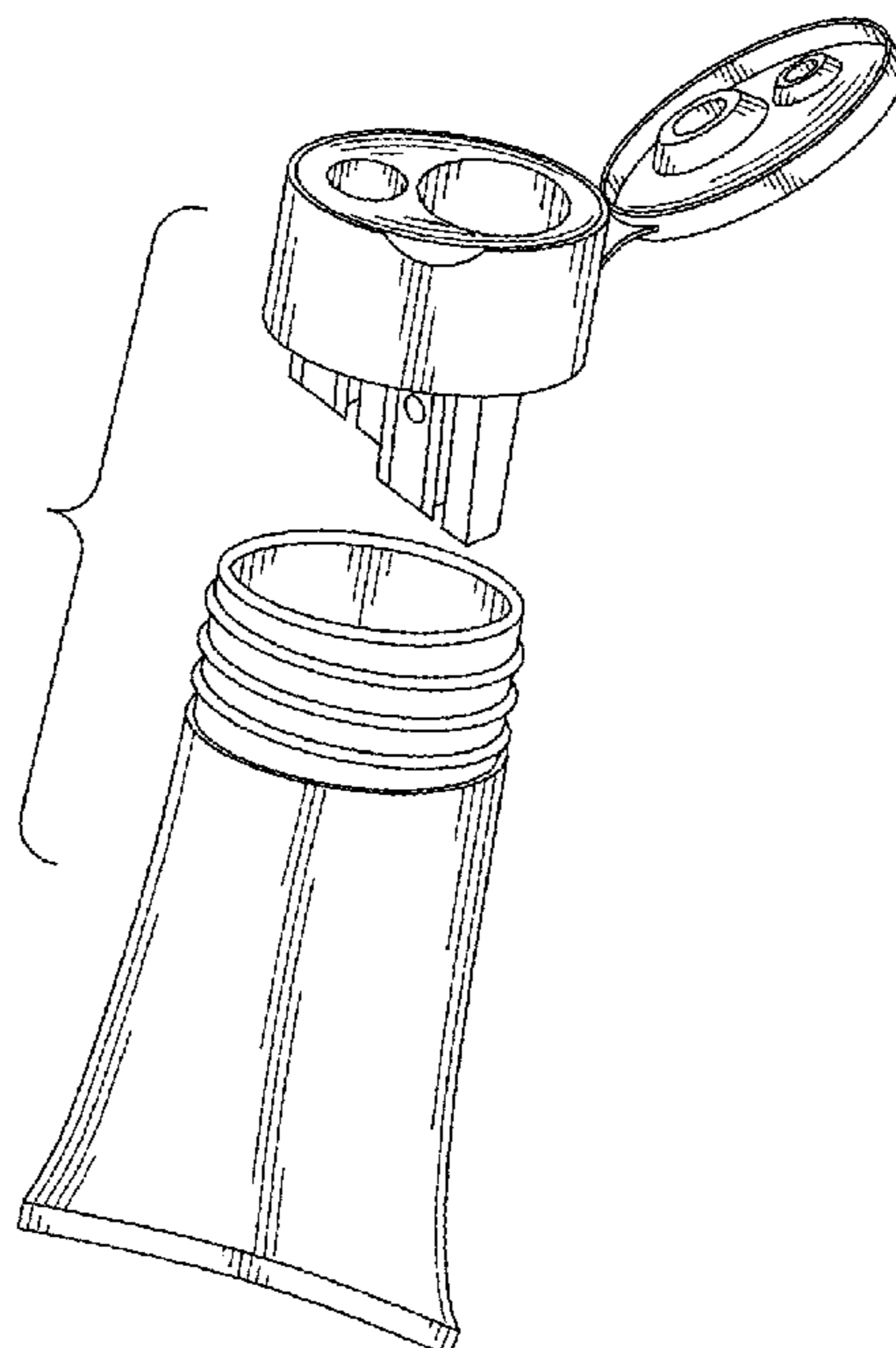
(57) **CLAIM**

The ornamental design for a sharpener, as shown and described.

**DESCRIPTION**

FIG. 1 is a perspective view of the sharpener;  
FIG. 2 is a front elevational view of the sharpener;  
FIG. 3 is a rear elevational view of the sharpener;  
FIG. 4 is a left side elevational view of the sharpener;  
FIG. 5 is a right side elevational view of the sharpener;  
FIG. 6 is a top plan view of the sharpener;  
FIG. 7 is a bottom plan view of the sharpener;  
FIG. 8 is a perspective view of the opened sharpener; and,  
FIG. 9 is an exploded perspective view of the opened sharpener.

**1 Claim, 8 Drawing Sheets**



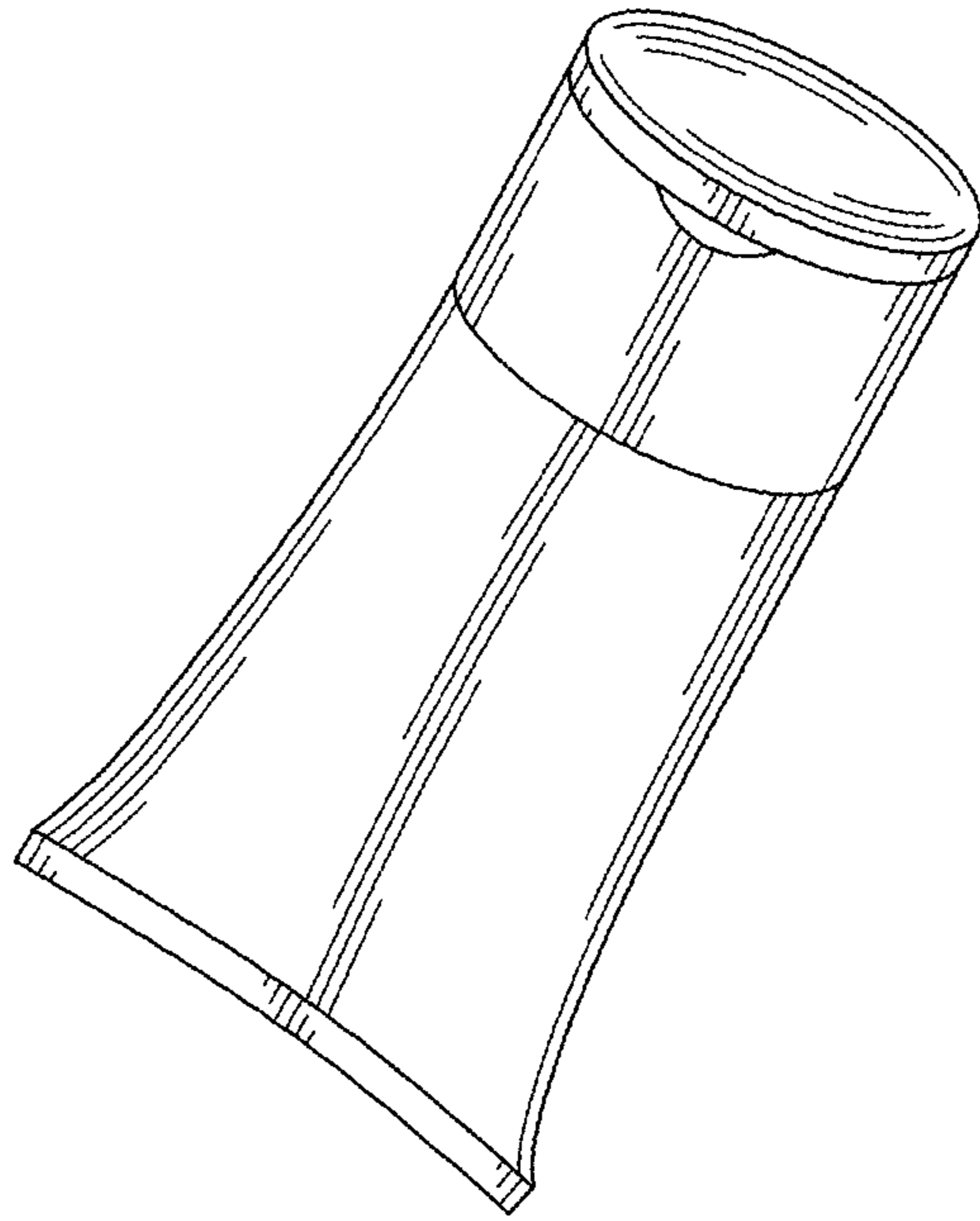


FIG. 1

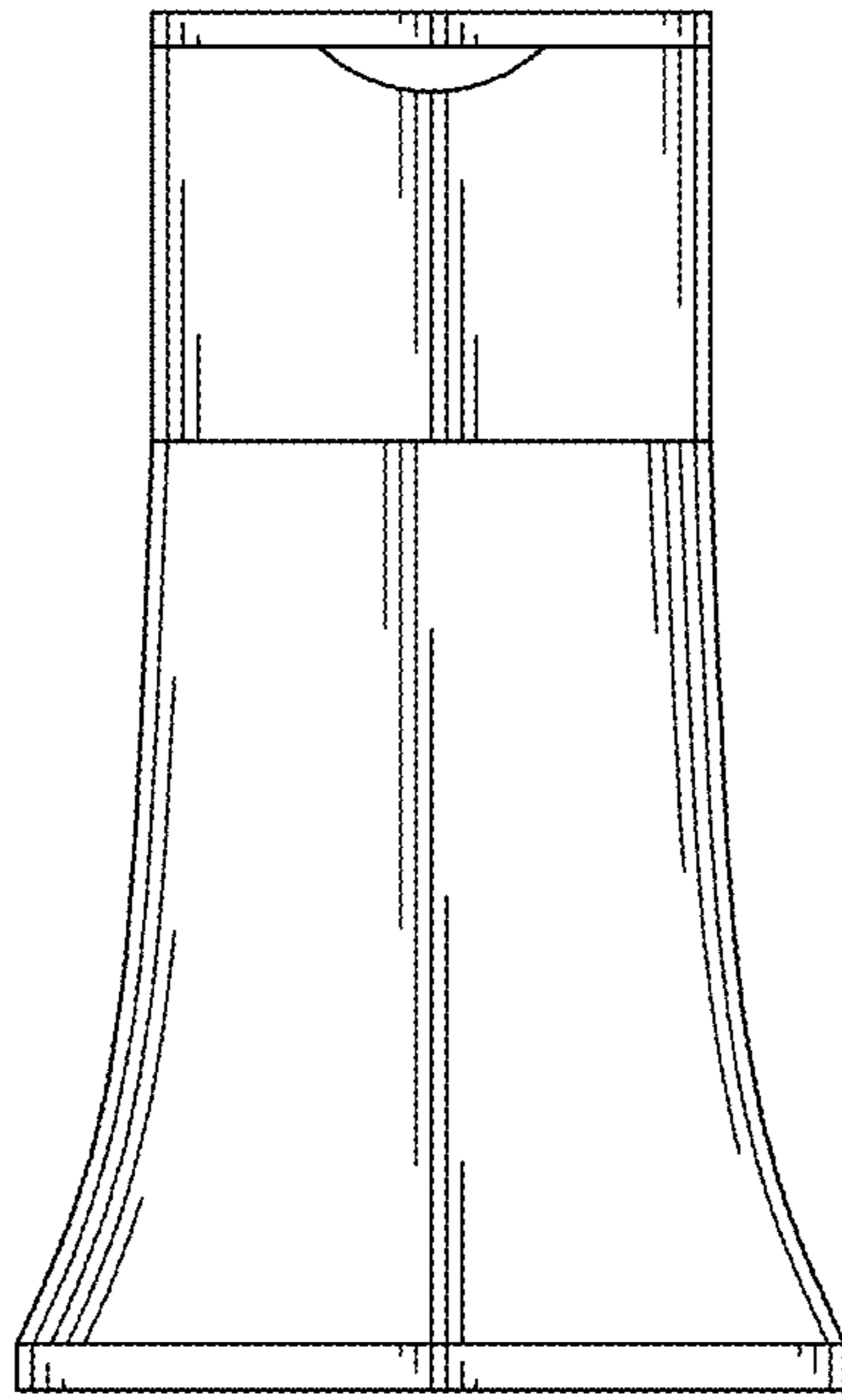


FIG. 2

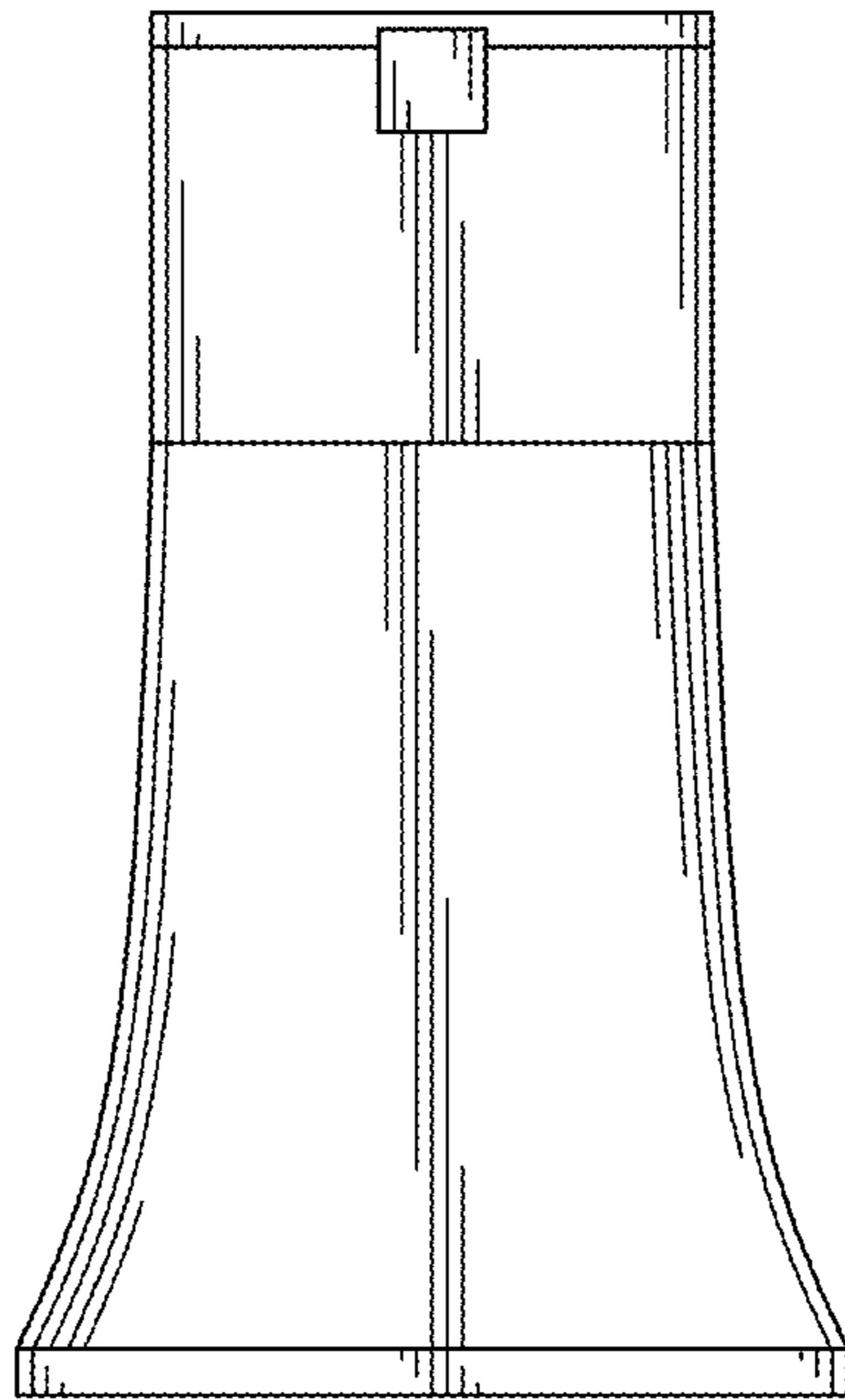


FIG. 3

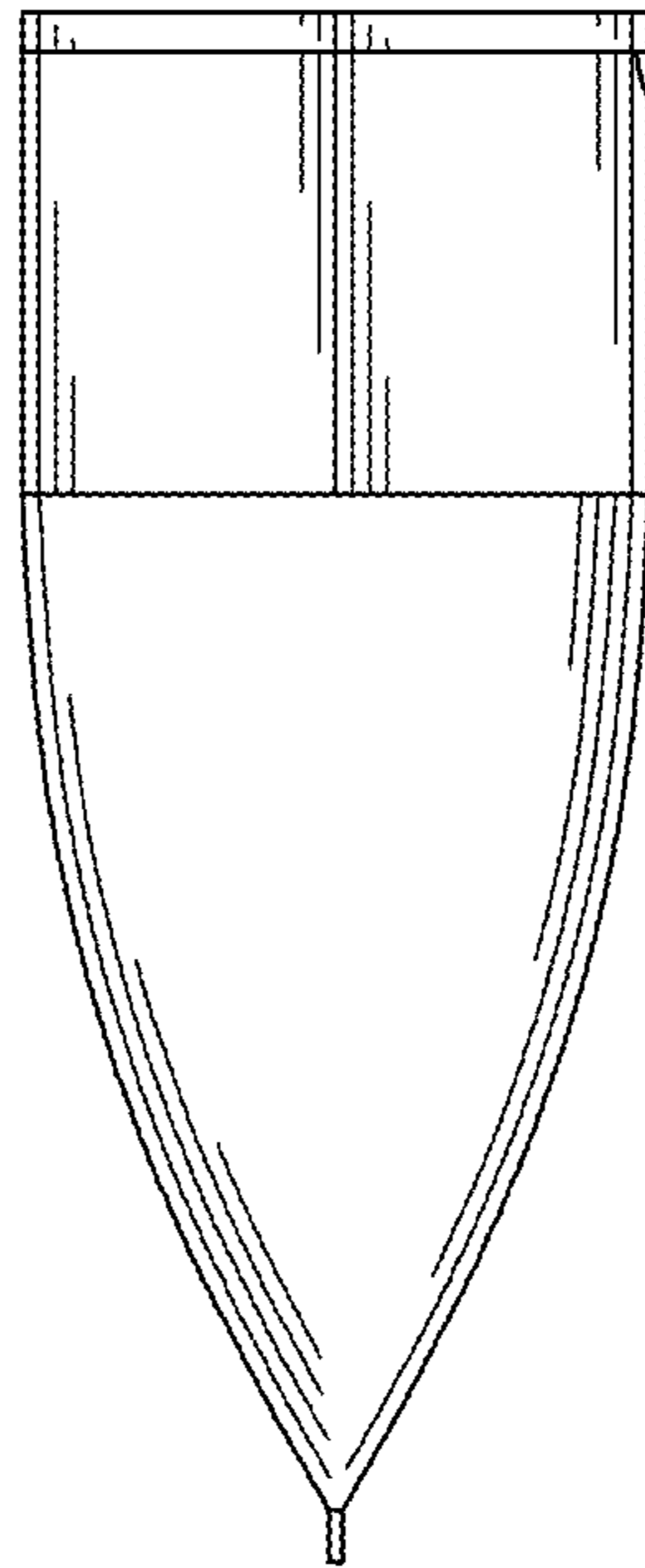


FIG. 4

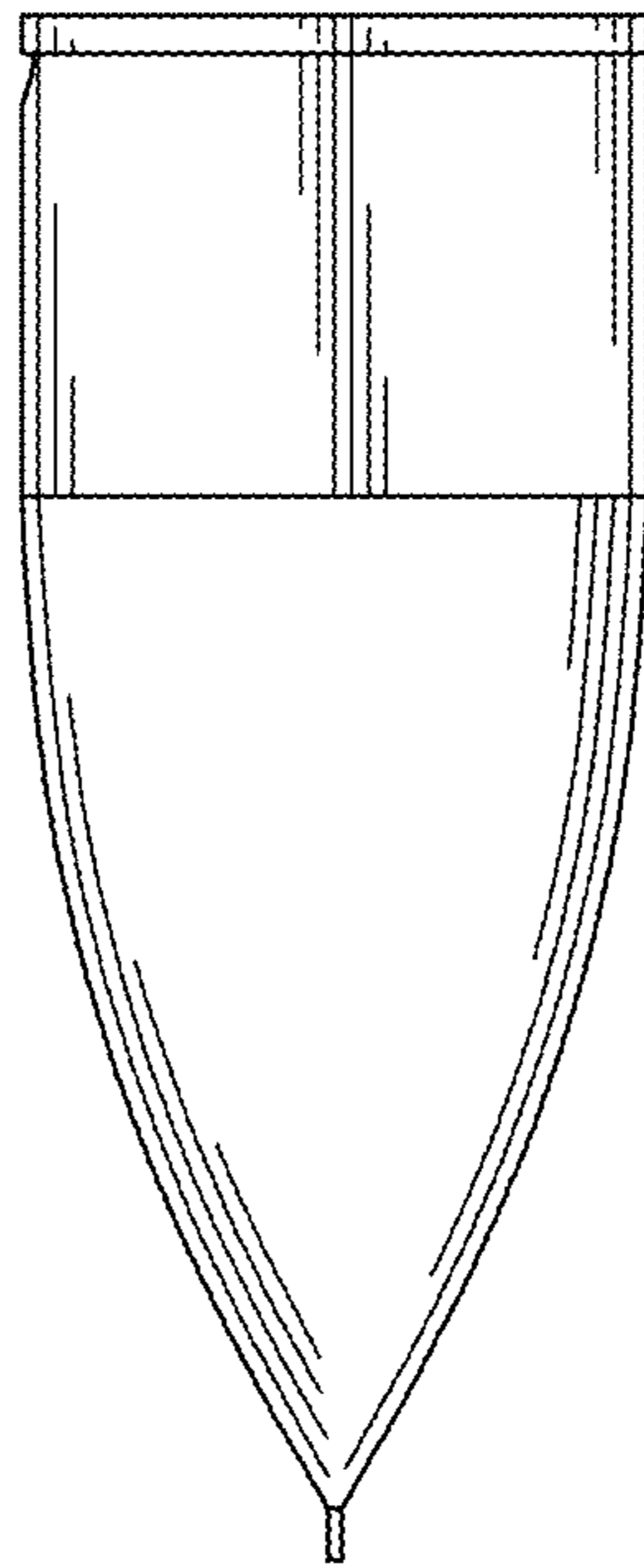


FIG. 5

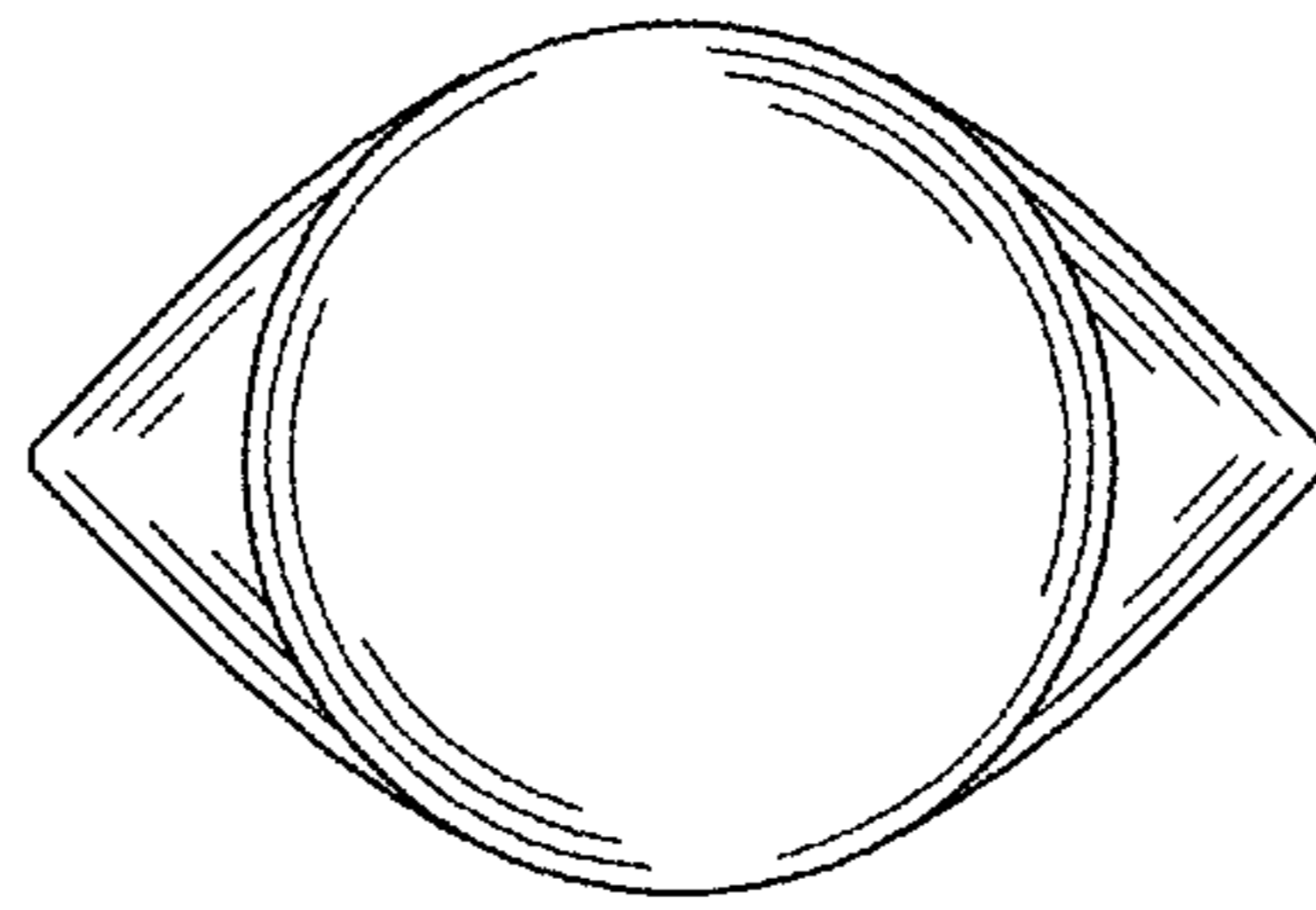


FIG. 6

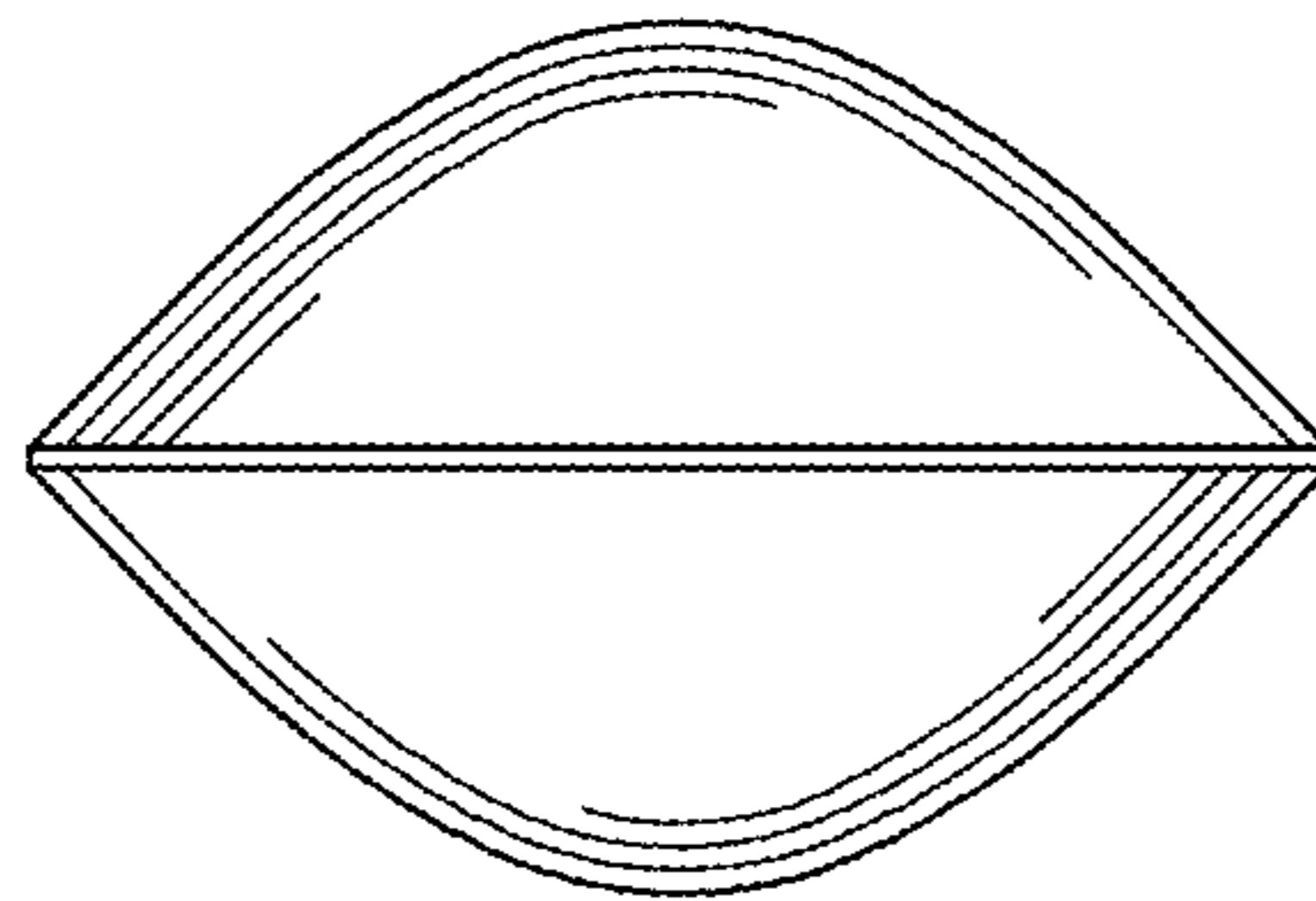


FIG. 7

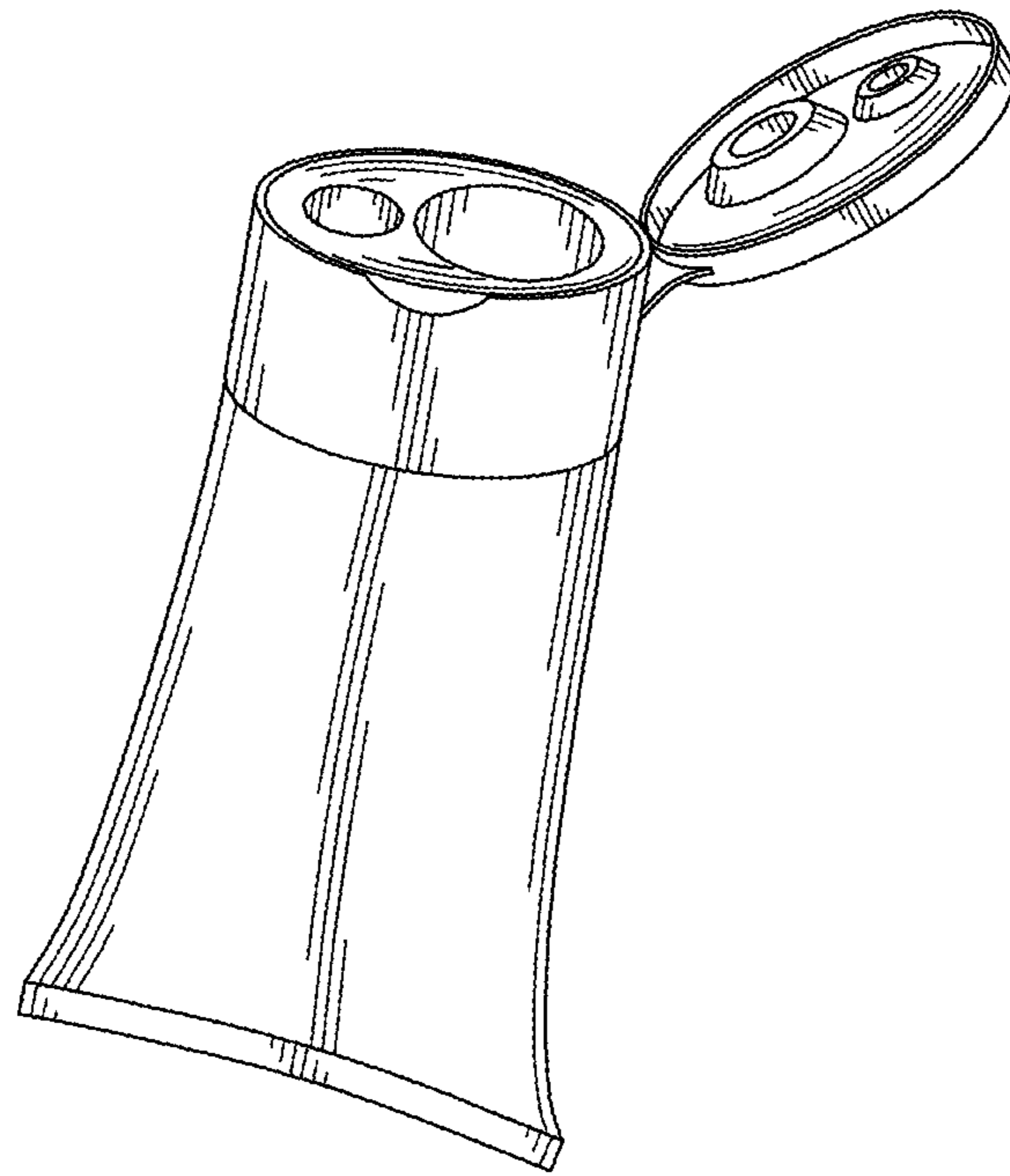


FIG. 8



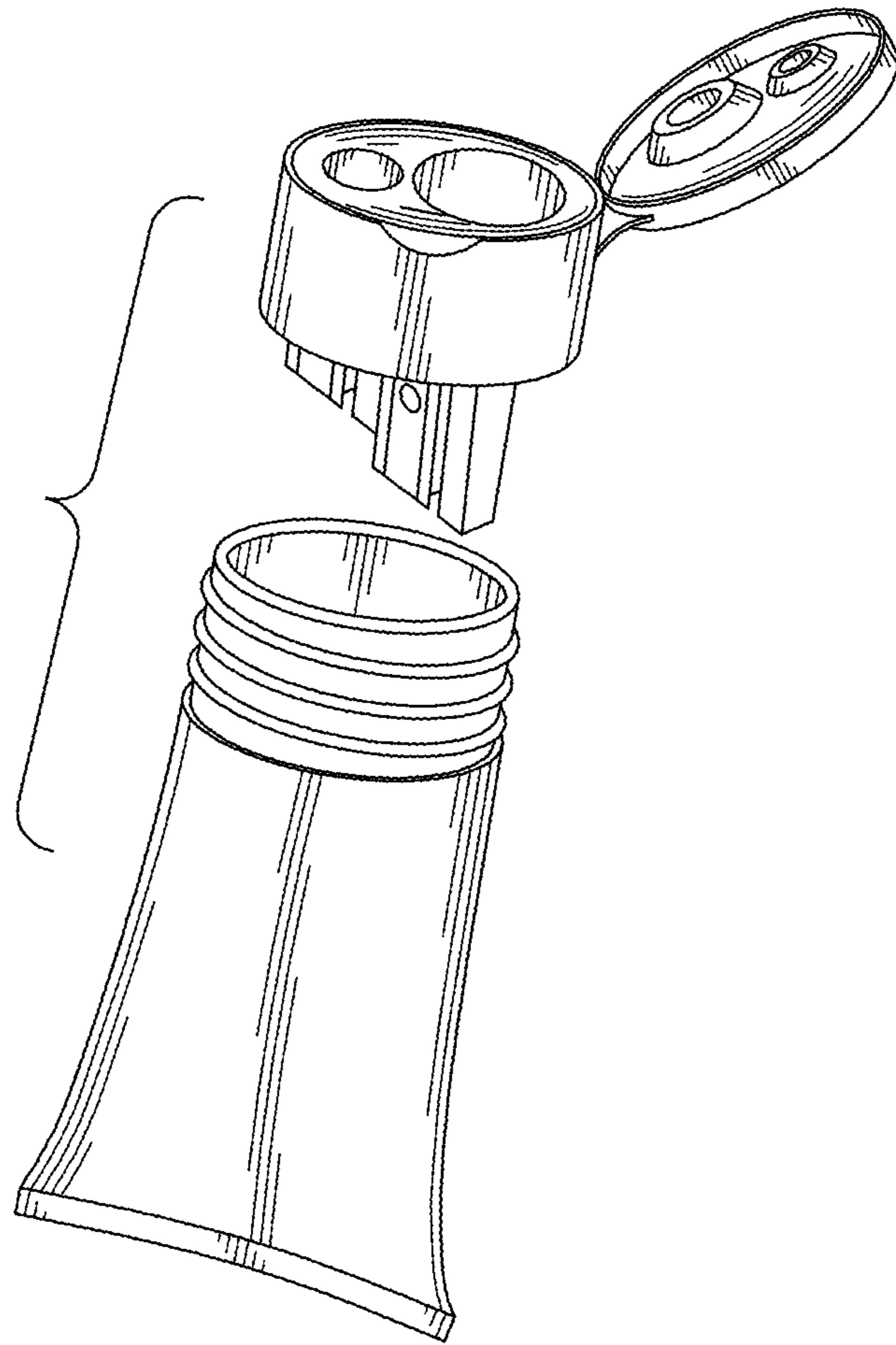


FIG. 9