



US00D890840S

(12) **United States Design Patent** (10) **Patent No.:** **US D890,840 S**
Yoshii et al. (45) **Date of Patent:** **** Jul. 21, 2020**

(54) **INK CARTRIDGE**
(71) Applicant: **KYOCERA DOCUMENT SOLUTIONS INC., Osaka (JP)**
(72) Inventors: **Tatsuhiko Yoshii, Osaka (JP); Daisuke Fujiwara, Osaka (JP); Mitsuhiro Goda, Osaka (JP); Masahiro Kashimoto, Osaka (JP); Masanobu Maeshima, Osaka (JP)**
(73) Assignee: **KYOCERA DOCUMENT SOLUTIONS INC., Osaka (JP)**

D585,488 S * 1/2009 Nozawa 347/86
D621,871 S * 8/2010 Maeshima D18/43
D626,589 S * 11/2010 Domae 347/86
D667,492 S * 9/2012 Urabe D18/56
D678,405 S * 3/2013 Okuda D18/56
D681,728 S * 5/2013 Takagi 347/86
D709,127 S * 7/2014 Boyd D18/56
D777,832 S * 1/2017 Yoshii D18/43
D806,788 S * 1/2018 Murase D18/43

* cited by examiner

Primary Examiner — Michelle E. Wilson

Assistant Examiner — J. Thorn, Sr.

(74) *Attorney, Agent, or Firm* — Young & Thompson

(**) Term: **15 Years**

(57) **CLAIM**

(21) Appl. No.: **29/664,902**

The ornamental design for an ink cartridge, as shown and described.

(22) Filed: **Sep. 28, 2018**

DESCRIPTION

(30) **Foreign Application Priority Data**

Mar. 28, 2018 (JP) 2018-006659

(51) **LOC (12) Cl.** **18-02**

(52) **U.S. Cl.**
USPC **D18/56**

(58) **Field of Classification Search**
USPC D2/43–44, 58, 99, 56; D14/332
CPC B41J 3/00; B41J 11/00
See application file for complete search history.

FIG. 1 is a front, top, and left side perspective view of an ink cartridge showing our new design;
FIG. 2 is a rear, bottom, and left side perspective view thereof;
FIG. 3 is a front view thereof;
FIG. 4 is a rear view thereof;
FIG. 5 is a left side view thereof;
FIG. 6 is a right side view thereof;
FIG. 7 is a top view thereof;
FIG. 8 is a bottom view thereof;
FIG. 9 is an enlarged view of the portion indicated by the square 9 of FIG. 1 thereof; and,
FIG. 10 is an enlarged view of the portion indicated by the square 10 of FIG. 2 thereof.

The broken line showing of the ink cartridge is included for the purpose of illustrating portions of the ink cartridge and forms no part of the claimed design.

(56) **References Cited**

U.S. PATENT DOCUMENTS

D524,855 S * 7/2006 Ishizawa 347/86
D528,598 S * 9/2006 Ishizawa 347/86
D538,338 S * 3/2007 Matsumoto 347/86
D542,343 S * 5/2007 Hattori 347/86
D574,882 S * 8/2008 Saito D18/43
D585,091 S * 1/2009 Matsumoto D18/56

1 Claim, 8 Drawing Sheets

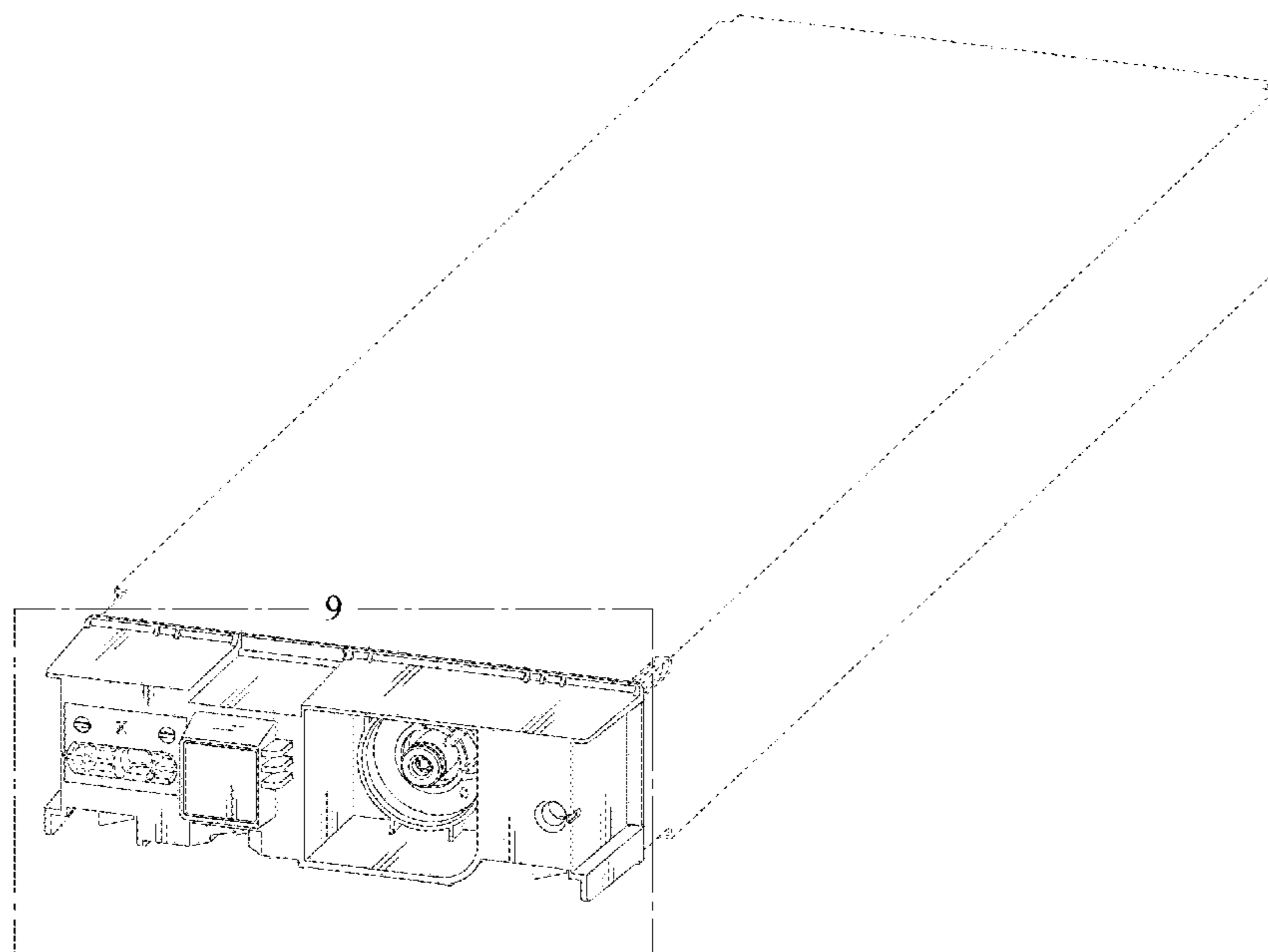


FIG. 1

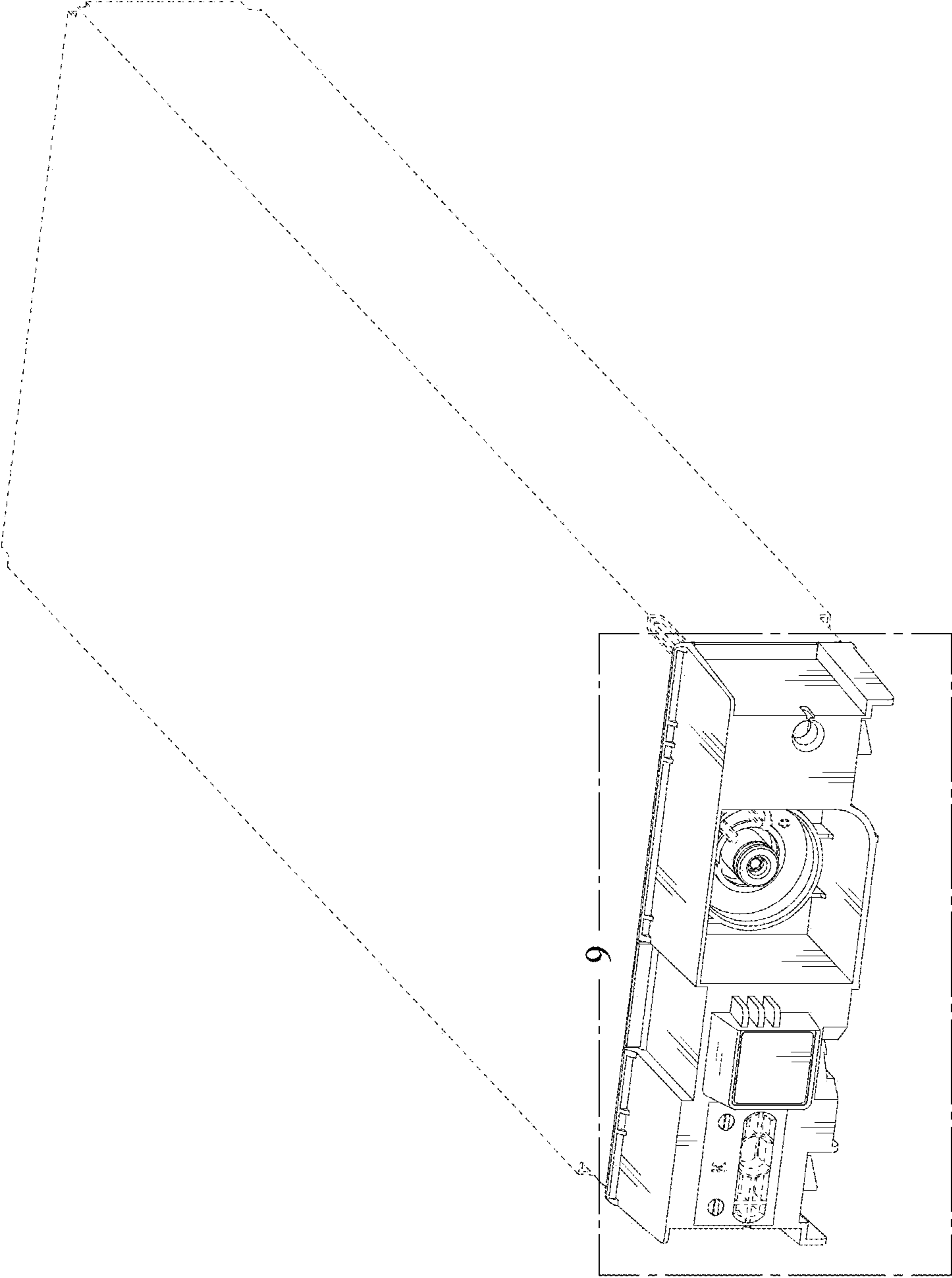


FIG. 2

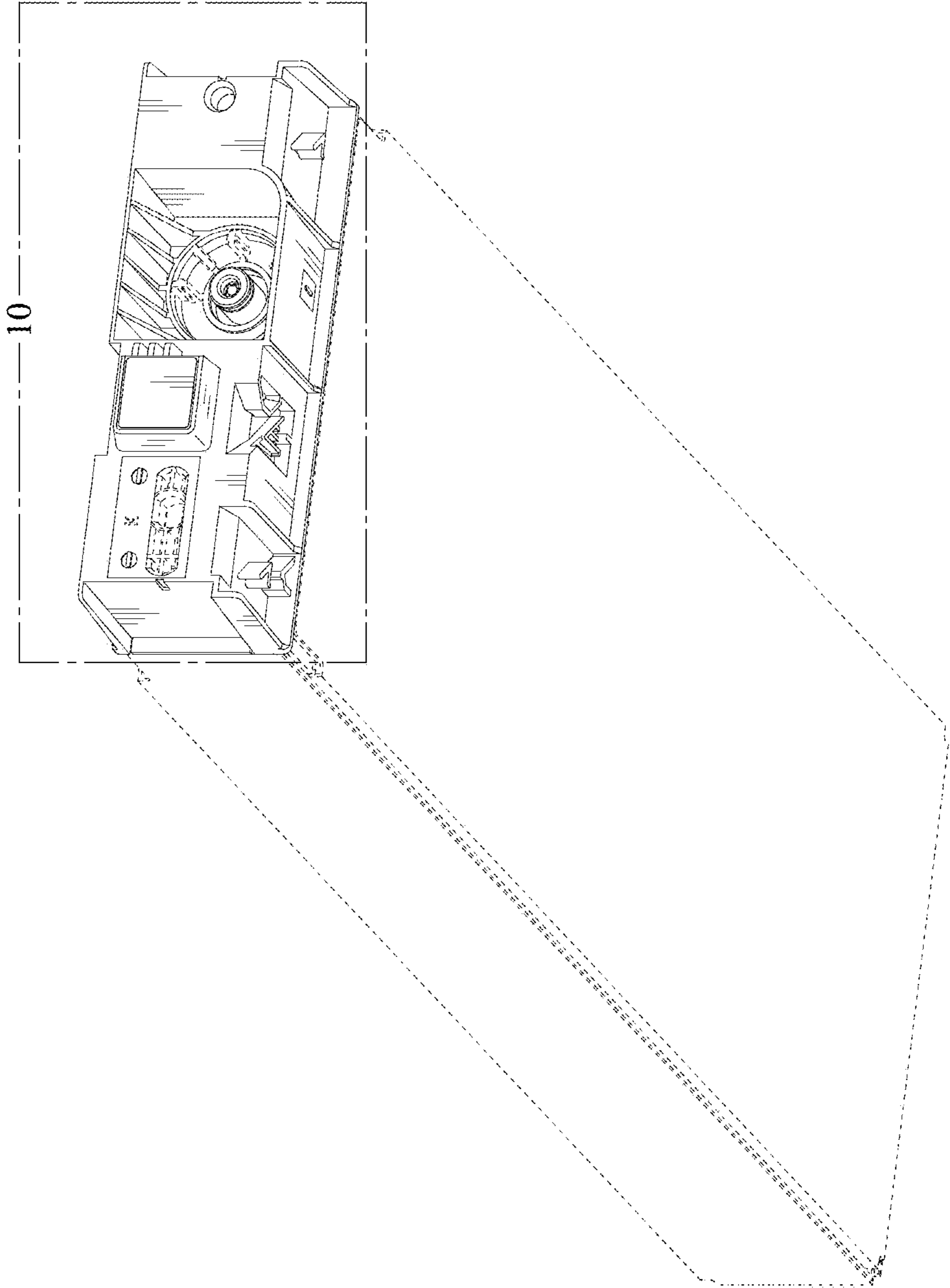


FIG. 3



FIG. 4



FIG. 5

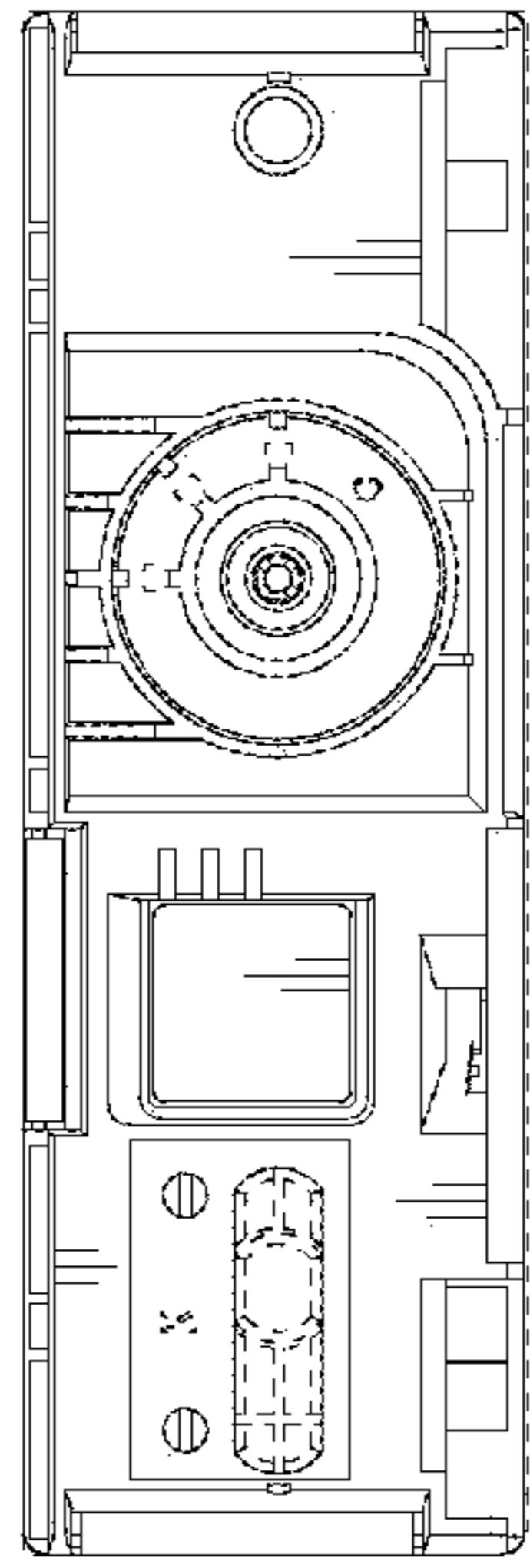


FIG. 6

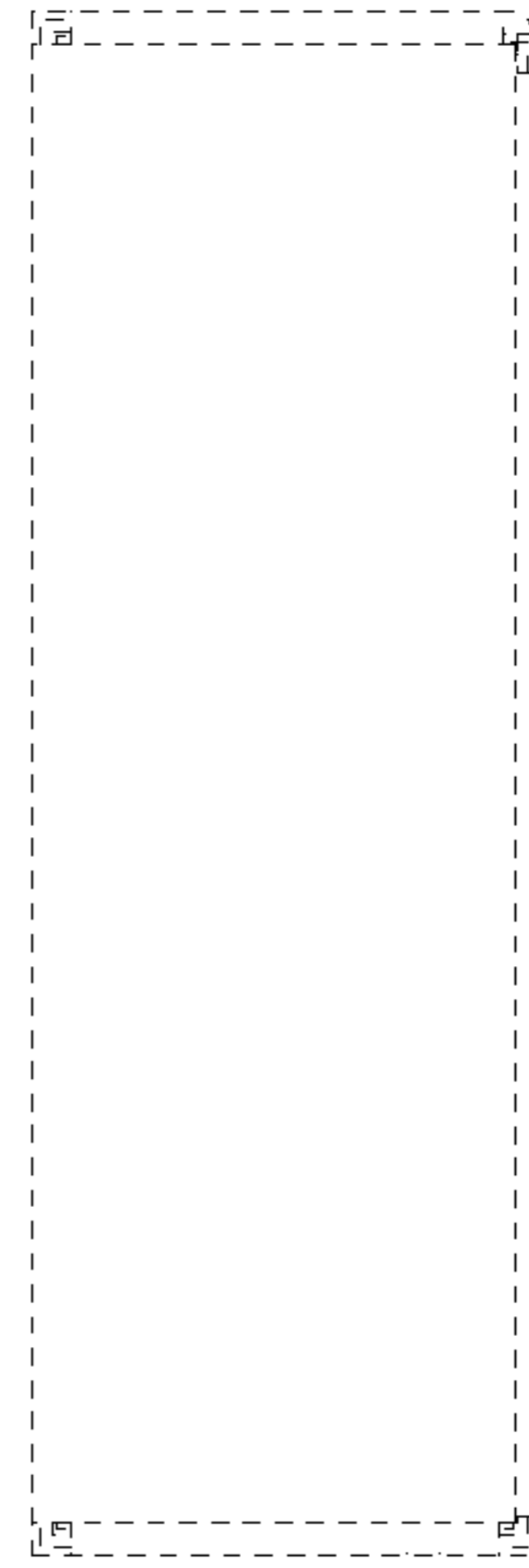


FIG. 7



FIG. 8



FIG. 9

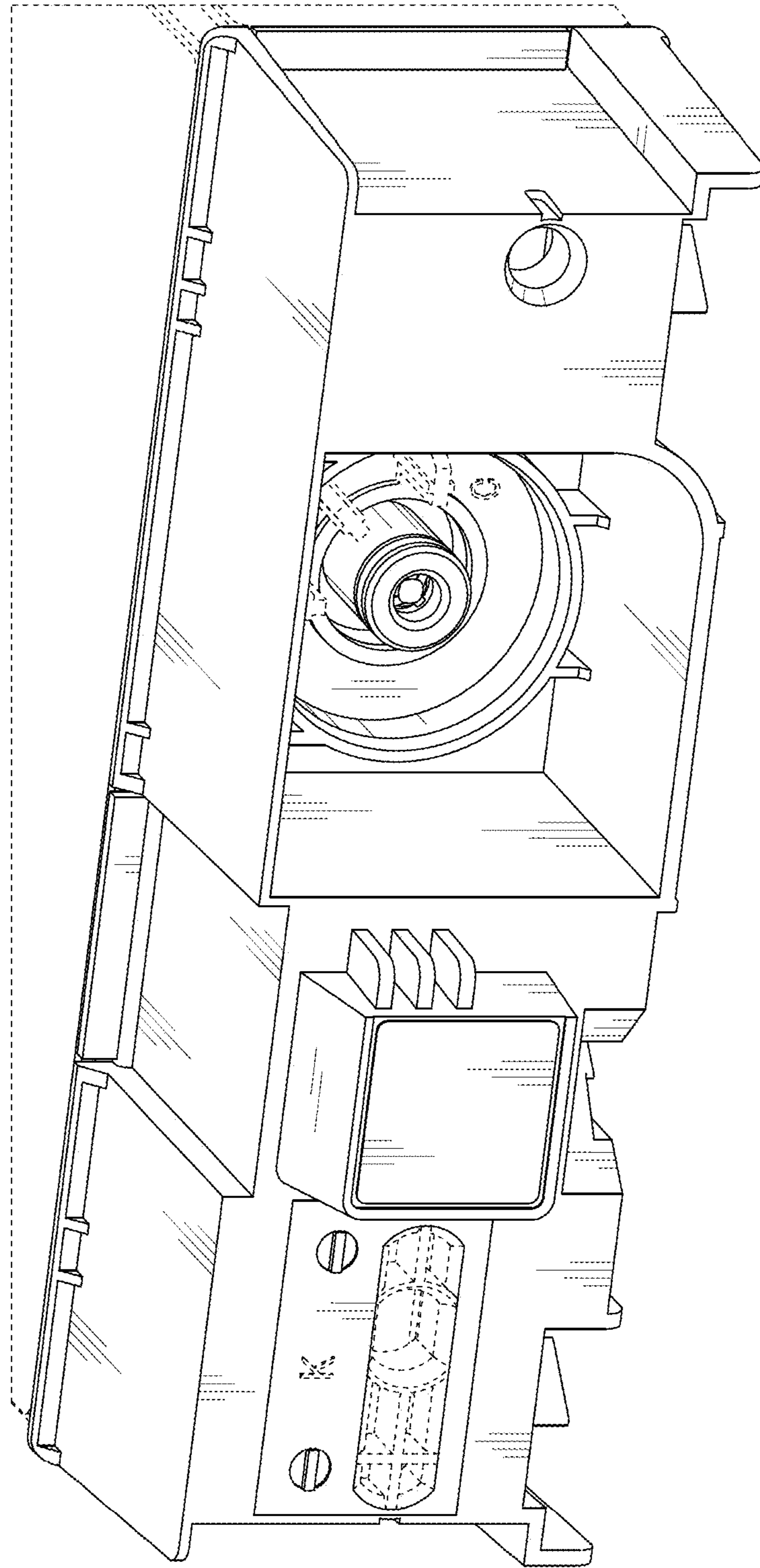


FIG. 10

