



US00D890833S

(12) **United States Design Patent**  
**Ikegame**

(10) **Patent No.:** **US D890,833 S**  
(45) **Date of Patent:** **\*\* Jul. 21, 2020**

(54) **LENS FOR CAMERA**

5/23238; H04N 7/00; H04N 13/239;  
H04N 2101/00; F16M 13/00

See application file for complete search history.

(71) Applicant: **FUJIFILM Corporation**, Tokyo (JP)

(72) Inventor: **Haruka Ikegame**, Saitama (JP)

(73) Assignee: **FUJIFILM Corporation**, Minato-Ku,  
Tokyo (JP)

(\*\*) Term: **15 Years**

(21) Appl. No.: **29/674,428**

(22) Filed: **Dec. 21, 2018**

(30) **Foreign Application Priority Data**

Jun. 26, 2018 (JP) ..... 2018-014087

(51) **LOC (12) Cl.** ..... **16-05**

(52) **U.S. Cl.**

USPC ..... **D16/219**

(58) **Field of Classification Search**

USPC ..... D3/210, 215, 207-209; D8/356, 357;  
D10/31, 104.1, 50, 65, 74, 70, 118.2, 66;  
D16/200-220, 131, 132, 237, 242, 239,  
D16/250, 235, 130, 134, 136, 238;  
D14/417, 138 C, 240, 248, 203.1, 203.3,  
D14/203.7, 218, 207, 440, 402, 454, 407,  
D14/408, 480.3, 480.1, 483; D24/138  
CPC . G02B 7/02; G02B 7/021; G02B 7/04; G02B  
7/14; G02B 7/003; G02B 7/008; G02B  
13/06; G03B 17/00; G03B 17/02; G03B  
17/56; G03B 17/04; G03B 17/14; G03B  
17/08; G03B 15/03; G03B 15/06; H04N  
1/00981; H04N 5/2251; H04N 5/2252;  
H04N 5/2253; H04N 5/2254; H04N

(56) **References Cited**

U.S. PATENT DOCUMENTS

2,124,161 A *	7/1938	Cook .....	G03B 13/20 396/141
D117,174 S *	10/1939	Githens et al. ....	D16/218
2,287,468 A *	6/1942	Cisski .....	G02B 7/02 359/827
D164,969 S *	10/1951	Springer et al. ....	D16/134
3,138,060 A *	6/1964	Eggert .....	G02B 7/10 359/702
D236,753 S *	9/1975	Prochnow et al. ....	D16/217
D270,450 S *	9/1983	Kato .....	D16/217
D272,829 S *	2/1984	Kato .....	D16/217
D304,594 S *	11/1989	Yamamoto .....	D16/134
D351,397 S *	10/1994	Dor .....	D16/130
D368,304 S *	3/1996	Morrison .....	D23/262
D416,926 S *	11/1999	Watanabe .....	D16/134
D419,860 S *	2/2000	Persson .....	D8/382
D420,029 S *	2/2000	Kimura .....	D16/134

(Continued)

*Primary Examiner* — T Chase Nelson

*Assistant Examiner* — Mary Claire Ramirez

(74) *Attorney, Agent, or Firm* — Sughrue Mion, PLLC

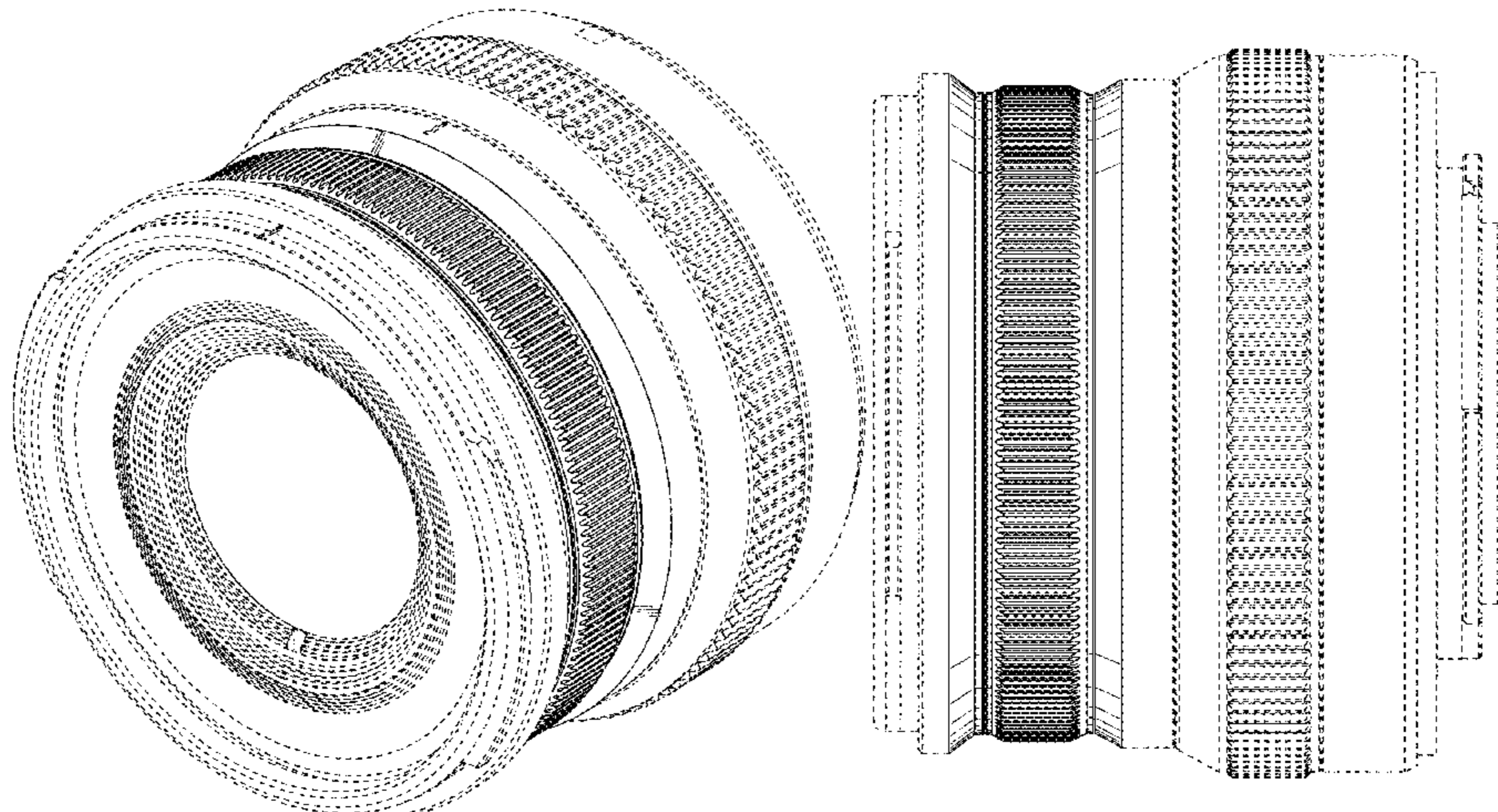
(57) **CLAIM**

The ornamental design for a lens for camera, as shown and described.

**DESCRIPTION**

FIG. 1 is a top, left perspective view of a lens for camera showing my new design;  
FIG. 2 is a top, right perspective view thereof;  
FIG. 3 is a front view thereof;  
FIG. 4 is a rear view thereof;  
FIG. 5 is a top plan view thereof;  
FIG. 6 is a bottom plan view thereof;  
FIG. 7 is a right side view thereof; and,  
FIG. 8 is a left side view thereof.

(Continued)



The broken lines depict portions of the lens for camera in which the design is embodied that form no part of the claimed design.

**1 Claim, 8 Drawing Sheets**

(56)

**References Cited**

U.S. PATENT DOCUMENTS

D457,544 S *	5/2002	Salzsauler .....	D14/481
D476,957 S *	7/2003	Chudoba .....	D13/151
D513,274 S *	12/2005	Chen .....	D16/132
D550,745 S *	9/2007	Watanabe .....	D16/134
D557,304 S *	12/2007	Hayashi .....	D16/202
D558,247 S *	12/2007	Kim .....	D16/202
D573,625 S *	7/2008	Watanabe .....	D16/134
D656,534 S *	3/2012	Geller .....	D16/242
D665,837 S *	8/2012	Tainaka .....	D16/134
D693,869 S *	11/2013	Asano .....	D16/219
D696,709 S *	12/2013	Sato .....	D16/219
D697,961 S *	1/2014	Tanifuji .....	D16/202
D709,119 S *	7/2014	Kim .....	D16/219

D718,361 S *	11/2014	Noh .....	D16/219
D721,120 S *	1/2015	Oh .....	D16/219
D724,644 S *	3/2015	Tainaka .....	D16/219
D727,994 S *	4/2015	Hasuda .....	D16/219
D731,571 S *	6/2015	Imamizu .....	D16/132
D732,097 S *	6/2015	Imamizu .....	D16/132
D732,592 S *	6/2015	Imamizu .....	D16/132
D733,204 S *	6/2015	Imamizu .....	D16/132
D743,471 S *	11/2015	Oh .....	D16/134
D744,025 S *	11/2015	Oh .....	D16/134
D745,590 S *	12/2015	Oh .....	D16/134
D783,700 S *	4/2017	Tagawa .....	D16/219
D812,331 S *	3/2018	LaBarbera .....	D32/31
D836,152 S *	12/2018	Ikegame .....	D16/219
D857,080 S *	8/2019	Kamei .....	D16/219
D867,430 S *	11/2019	Ikegame .....	D16/219
D868,134 S *	11/2019	Kamei .....	D16/219
D871,487 S *	12/2019	Sakai .....	D16/219
2013/0057965 A1 *	3/2013	Iwasa .....	G03B 3/00 359/704
2014/0247483 A1 *	9/2014	Liang .....	G02B 23/145 359/432
2018/0212211 A1 *	7/2018	Liang .....	F16M 13/04
2019/0302575 A1 *	10/2019	Imamura .....	G02B 7/14

\* cited by examiner



FIG. 1

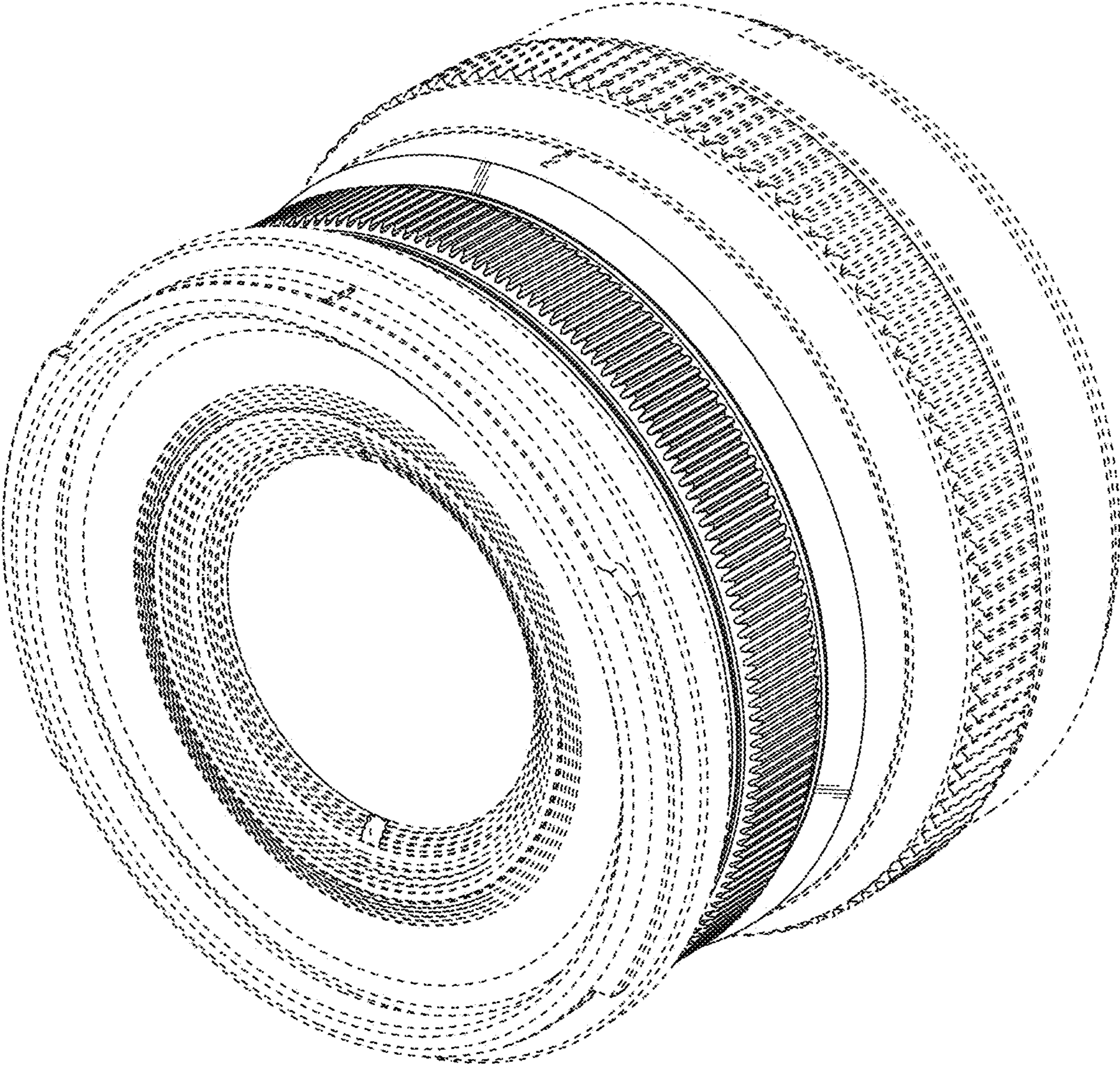




FIG. 2

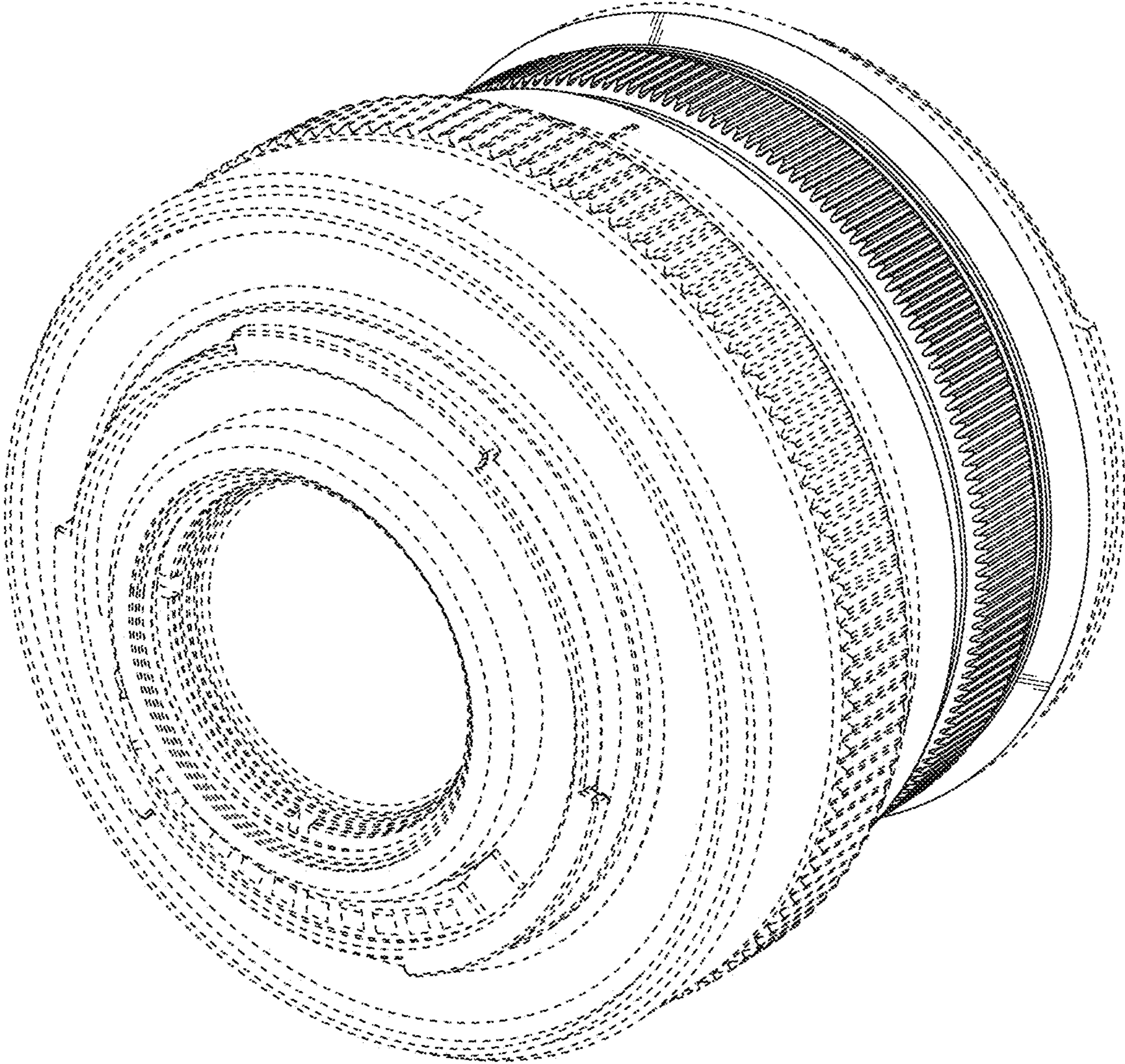


FIG. 3

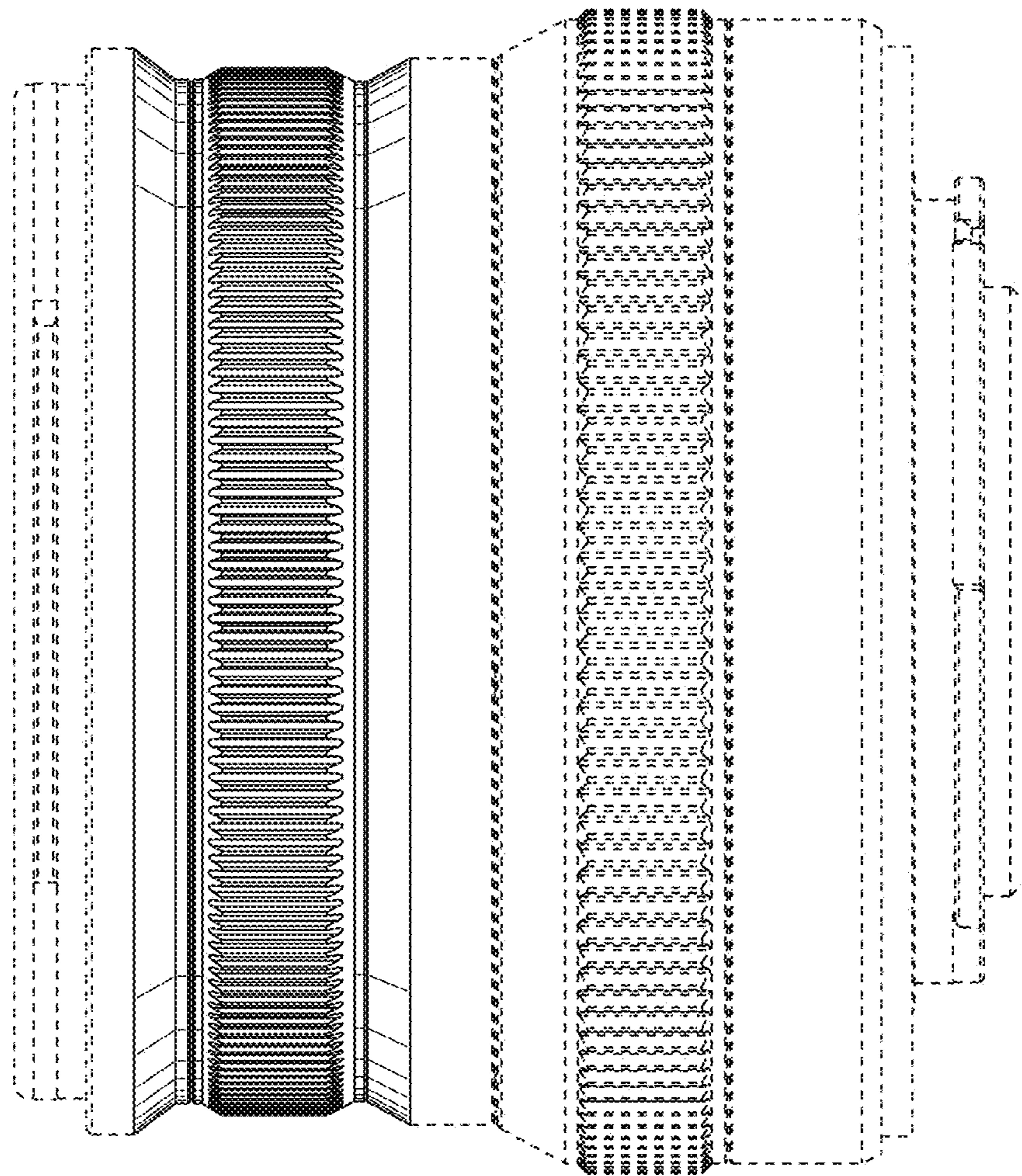




FIG. 4

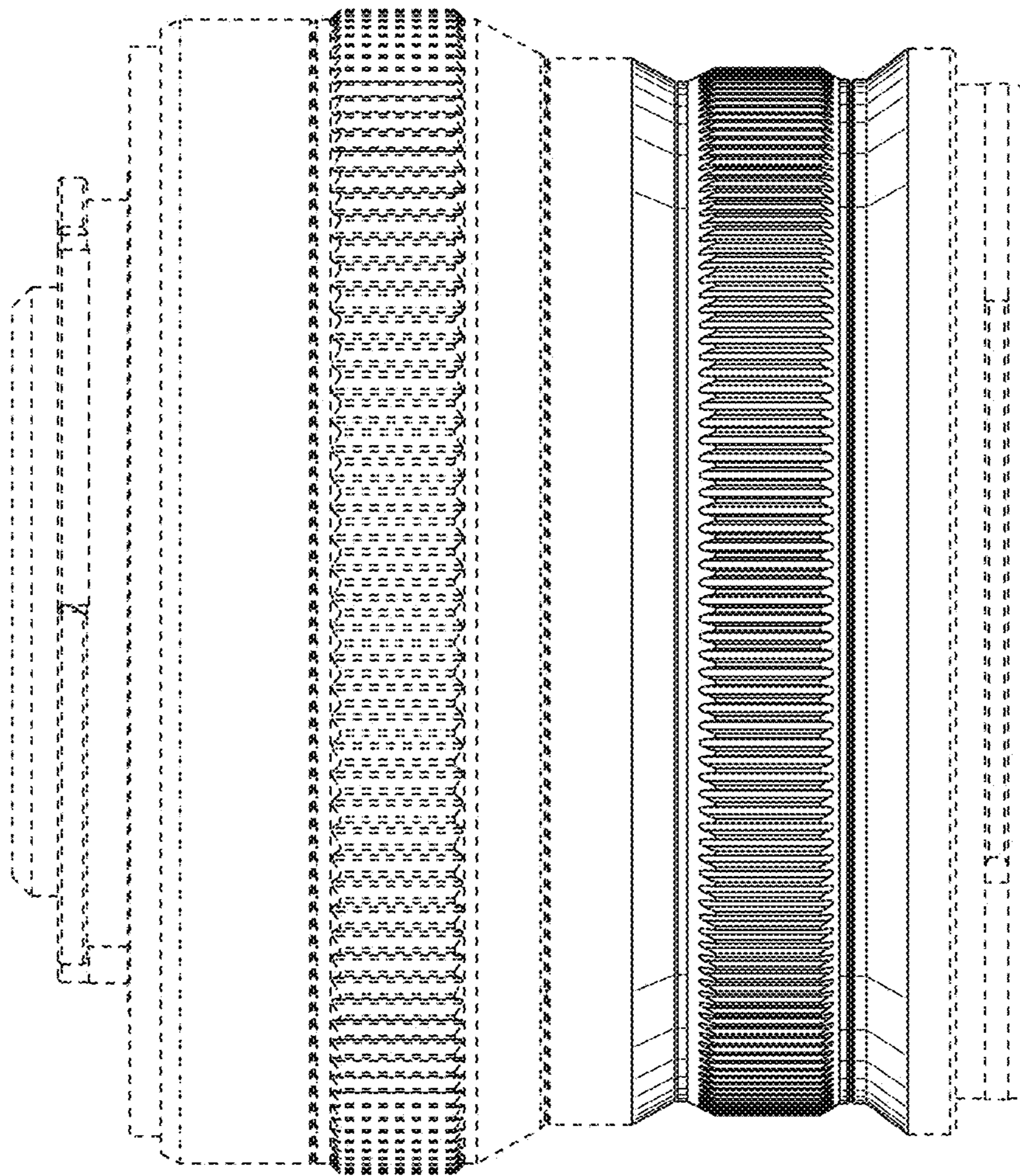


FIG. 5

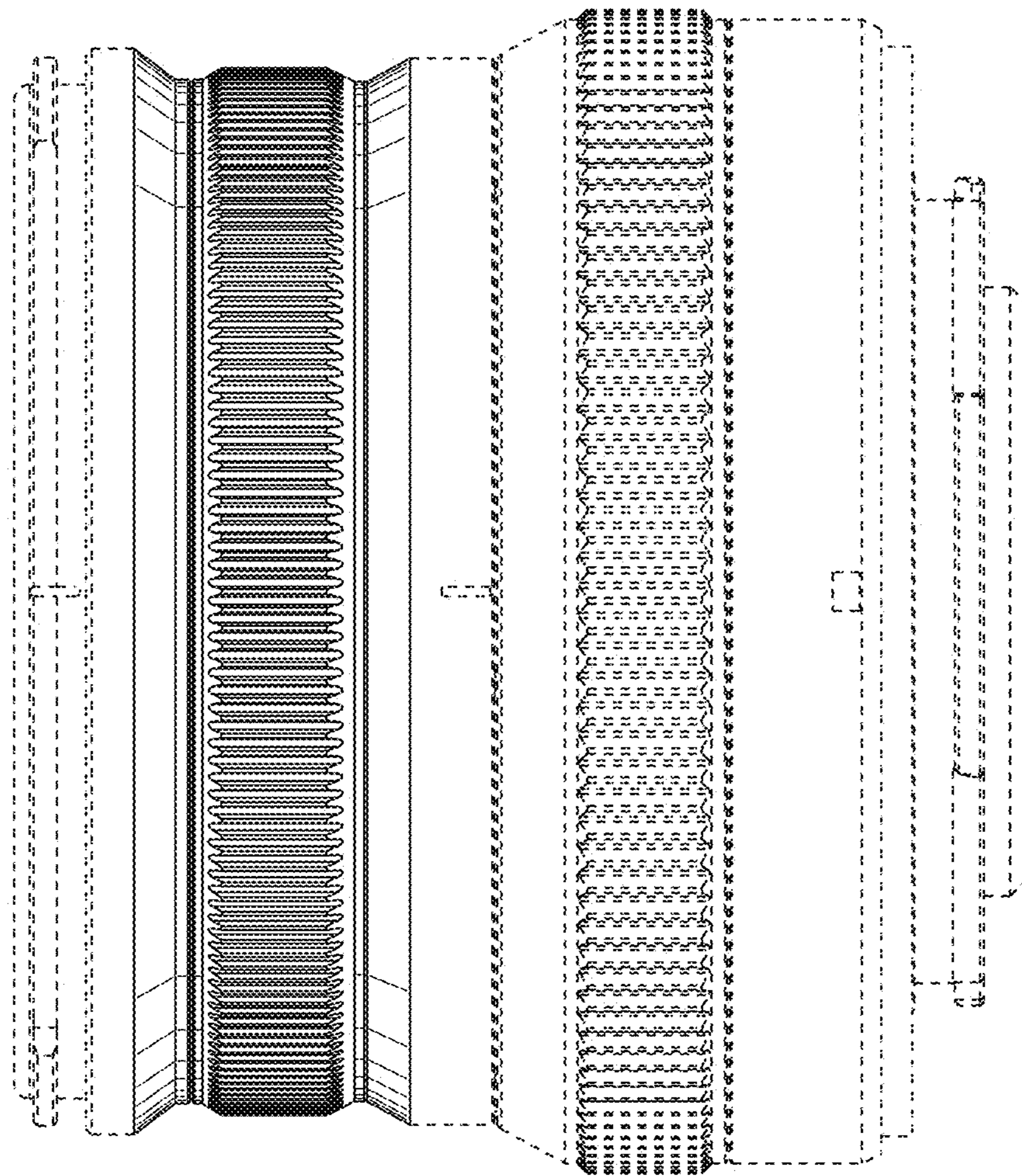
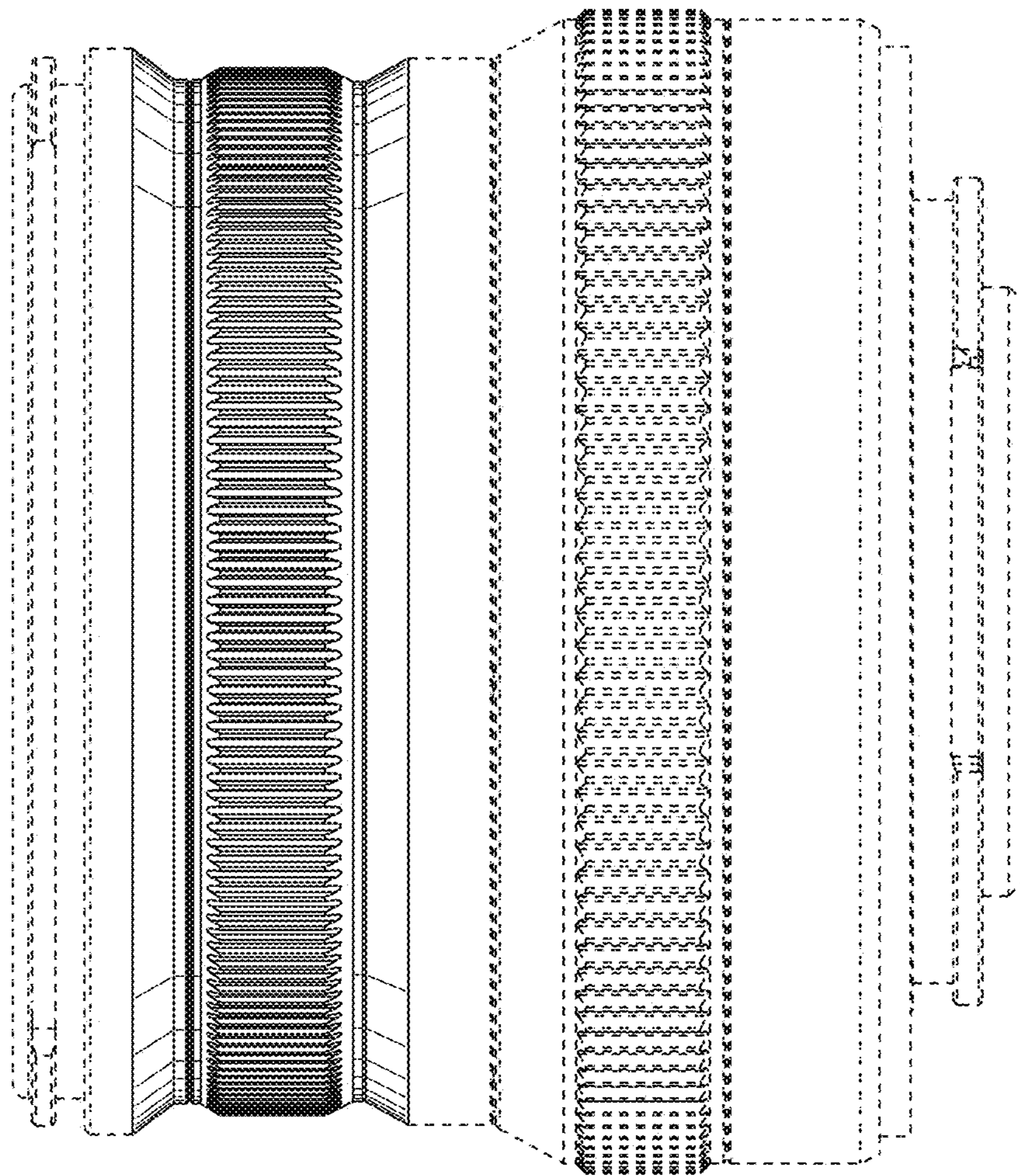


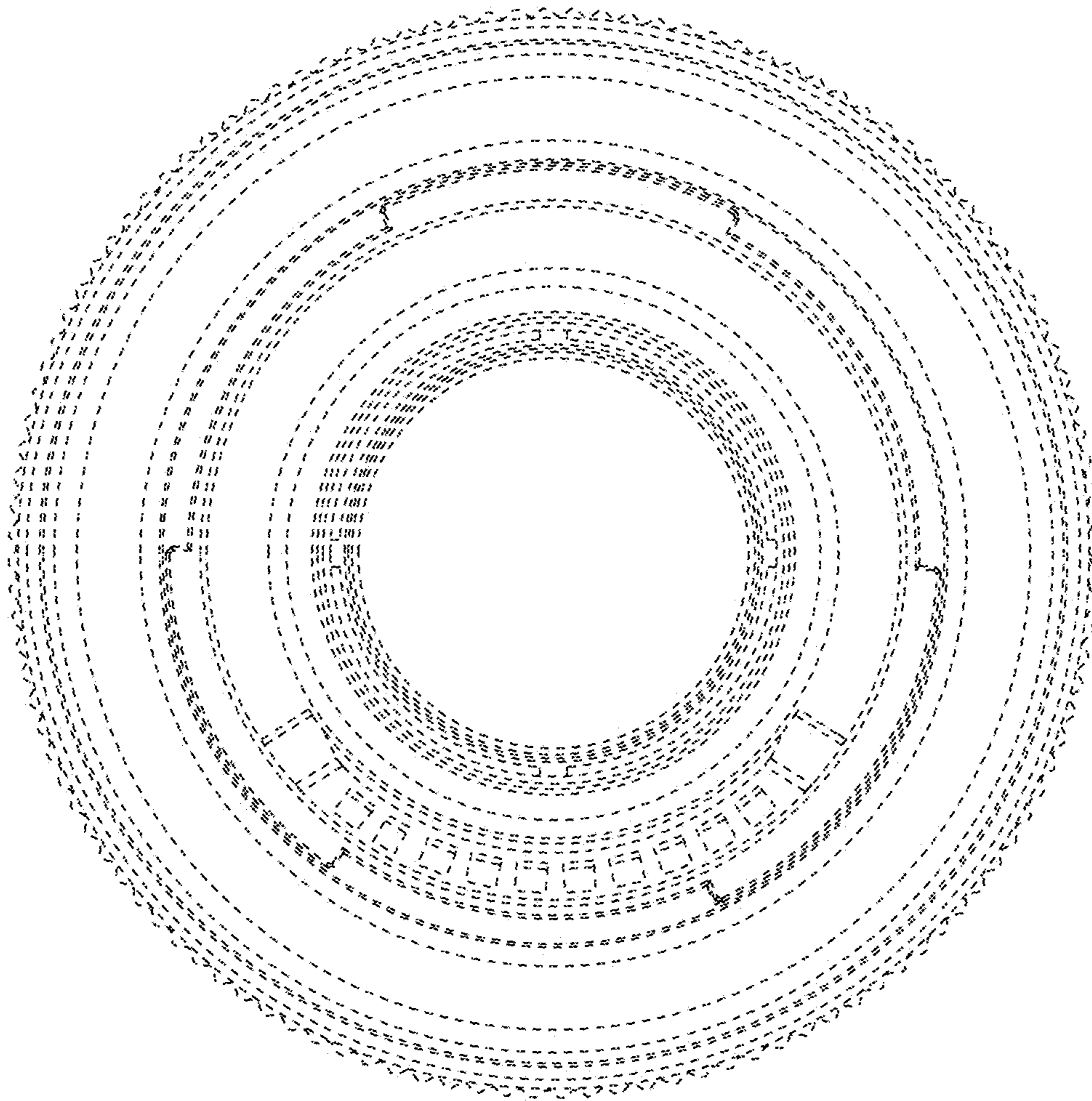


FIG. 6





**FIG. 7**



**FIG. 8**

