

US00D890830S

(12) **United States Design Patent**
Song et al.

(10) **Patent No.:** **US D890,830 S**
(45) **Date of Patent:** **** Jul. 21, 2020**

(54) **CAMERA**

- (71) Applicant: **FLIR Security, Inc.**, Ridgefield Park, NJ (US)
- (72) Inventors: **Xuan Song**, Shanghai (CN); **Zhenmei Mao**, Richmond (CA); **Giovanni Lepore**, Nashua, NH (US); **David Graham**, Spokane, WA (US); **Christopher T. Weber**, Coeur D’Alene, ID (US); **Jeffrey J. Wyrick**, Dalton Gardens, ID (US)
- (73) Assignee: **FLIR SECURITY, INC.**, Ridgefield Park, NJ (US)
- (**) Term: **15 Years**

(21) Appl. No.: **29/680,765**

(22) Filed: **Feb. 19, 2019**

(51) **LOC (12) Cl.** **16-01**

(52) **U.S. Cl.**
USPC **D16/202**; D16/203

(58) **Field of Classification Search**
USPC D16/200, 202–206, 208, 218, 219, 242;
348/143, 148, 151, 373–376; 396/419,
396/427, 535, 539–541
CPC G03B 17/02; G03B 19/04; G03B 17/56;
G03B 17/04; G03B 15/03; H04N 5/2251;
H04N 5/2252; H04N 5/2253; H04N
5/2254; H04N 7/181; H04N 7/183; H04N
7/18; G08B 13/1963; G08B 13/19619;
G08B 13/19632
See application file for complete search history.

(56) **References Cited**

U.S. PATENT DOCUMENTS

- D611,979 S * 3/2010 Frank D16/202
- D652,440 S 1/2012 Davidson et al.
- D696,330 S * 12/2013 Matsumoto D16/203
- D719,995 S * 12/2014 Huang D16/218

(Continued)

OTHER PUBLICATIONS

“Explorer 320 Thermal Camera”, Night Optics, [retrieved on Mar. 7, 2019], 1 page.

(Continued)

Primary Examiner — Ramzi S Almatrahi

(74) *Attorney, Agent, or Firm* — Haynes and Boone, LLP

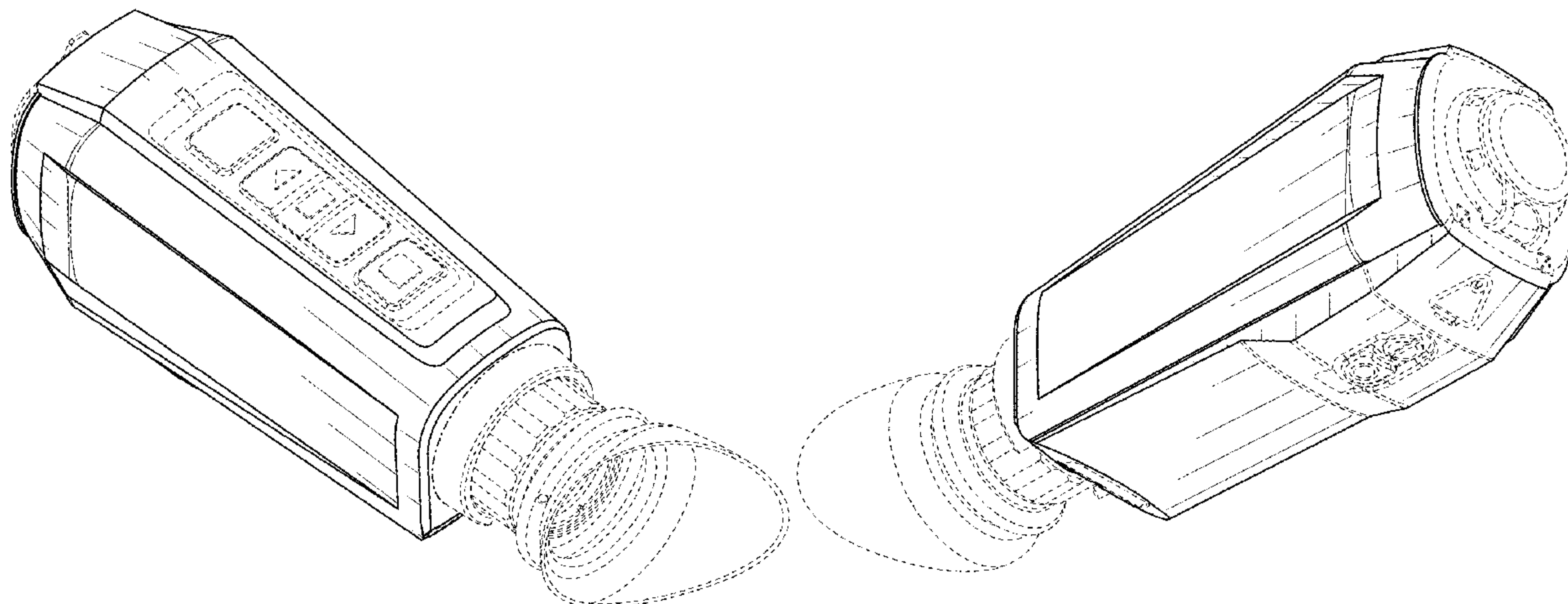
(57) **CLAIM**

The ornamental design for a camera, as shown and described.

DESCRIPTION

FIG. 1 is a front, top, and right perspective view of a camera embodying the new design;
 FIG. 2 is a rear, bottom, and left perspective view thereof;
 FIG. 3 is a rear elevational view thereof;
 FIG. 4 is a front elevational view thereof.,
 FIG. 5 is a left side view thereof;
 FIG. 6 is a right side view thereof;
 FIG. 7 is a top plan view thereof
 FIG. 8 is a bottom plan view thereof;
 FIG. 9 is a front, top, and right perspective view thereof illustrating the camera with a different lens attached;
 FIG. 10 is a rear, bottom, and left perspective view thereof;
 FIG. 11 is a front, top, and right perspective view thereof illustrating the camera with another type of lens attached;
 and,
 FIG. 12 is a rear, bottom, and left perspective view thereof.
 The broken lines depict portions of the camera in which the design is embodied that form no part of the claimed design. Additionally, the dot-dash lines denote the boundary of the claim and form no part of the claimed design.

1 Claim, 7 Drawing Sheets



(56)

References Cited

U.S. PATENT DOCUMENTS

D741,388 S	*	10/2015	Register	D16/202
D769,955 S	*	10/2016	Faehrmann	D16/202
D809,046 S	*	1/2018	Hatcher	D16/202
D815,170 S		4/2018	McKenna et al.	
D827,012 S	*	8/2018	Katori	D16/202
D850,508 S	*	6/2019	Ibbetson	D16/202
D870,179 S	*	12/2019	Sawabe	D16/202
D874,534 S	*	2/2020	Matsuo	D16/203

OTHER PUBLICATIONS

“IR510 Series Handheld Thermal Imager”, Wuhan Guide Sensmart Tech Co., Ltd., [retrieved on Mar. 7, 2019], 2 pages.

“Vanguard IR510 Handheld Thermal Imager”, Eurotask Ltd., [retrieved on Mar. 7, 2019], 2 pages.

* cited by examiner

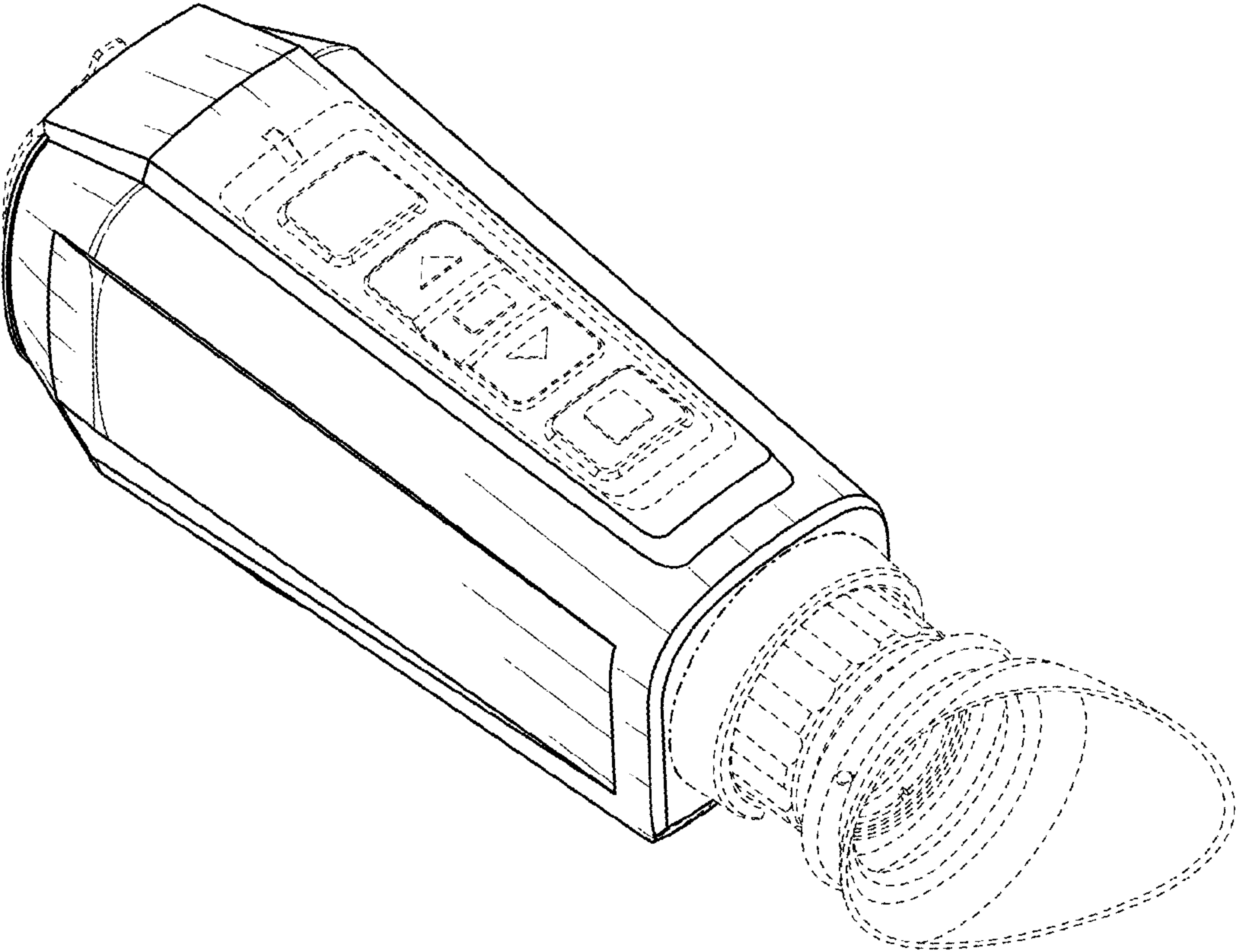


FIG. 1

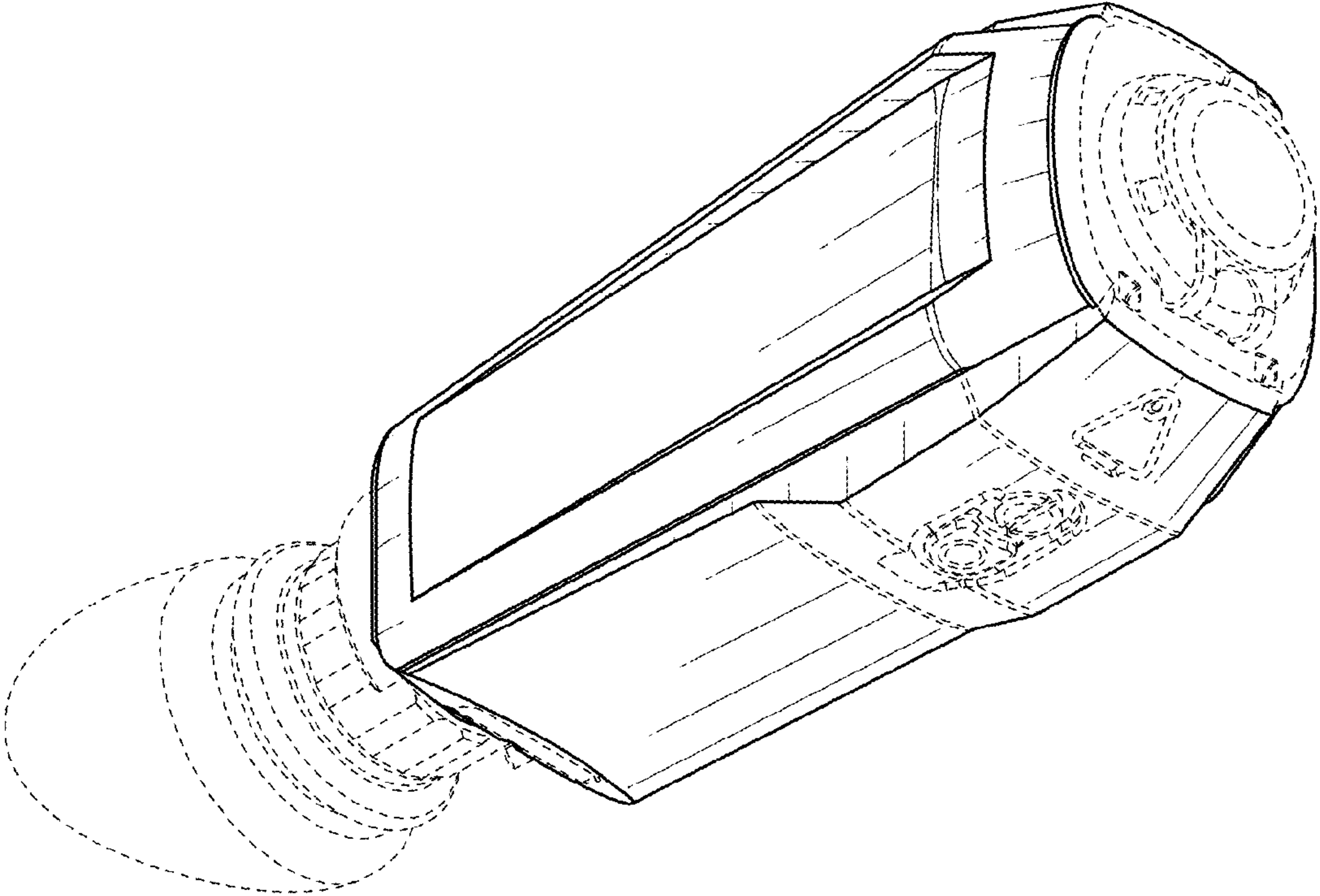


FIG. 2

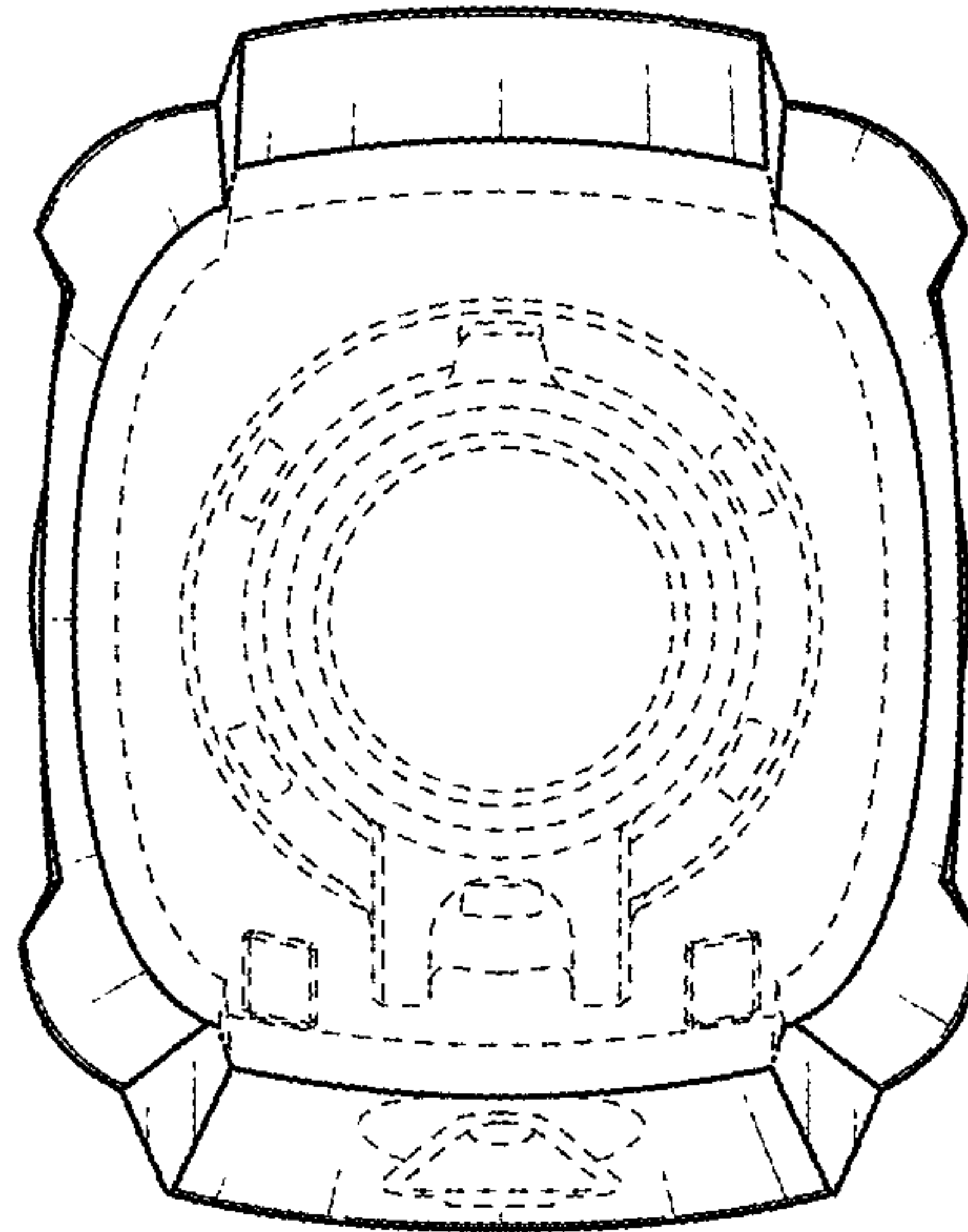


FIG. 3

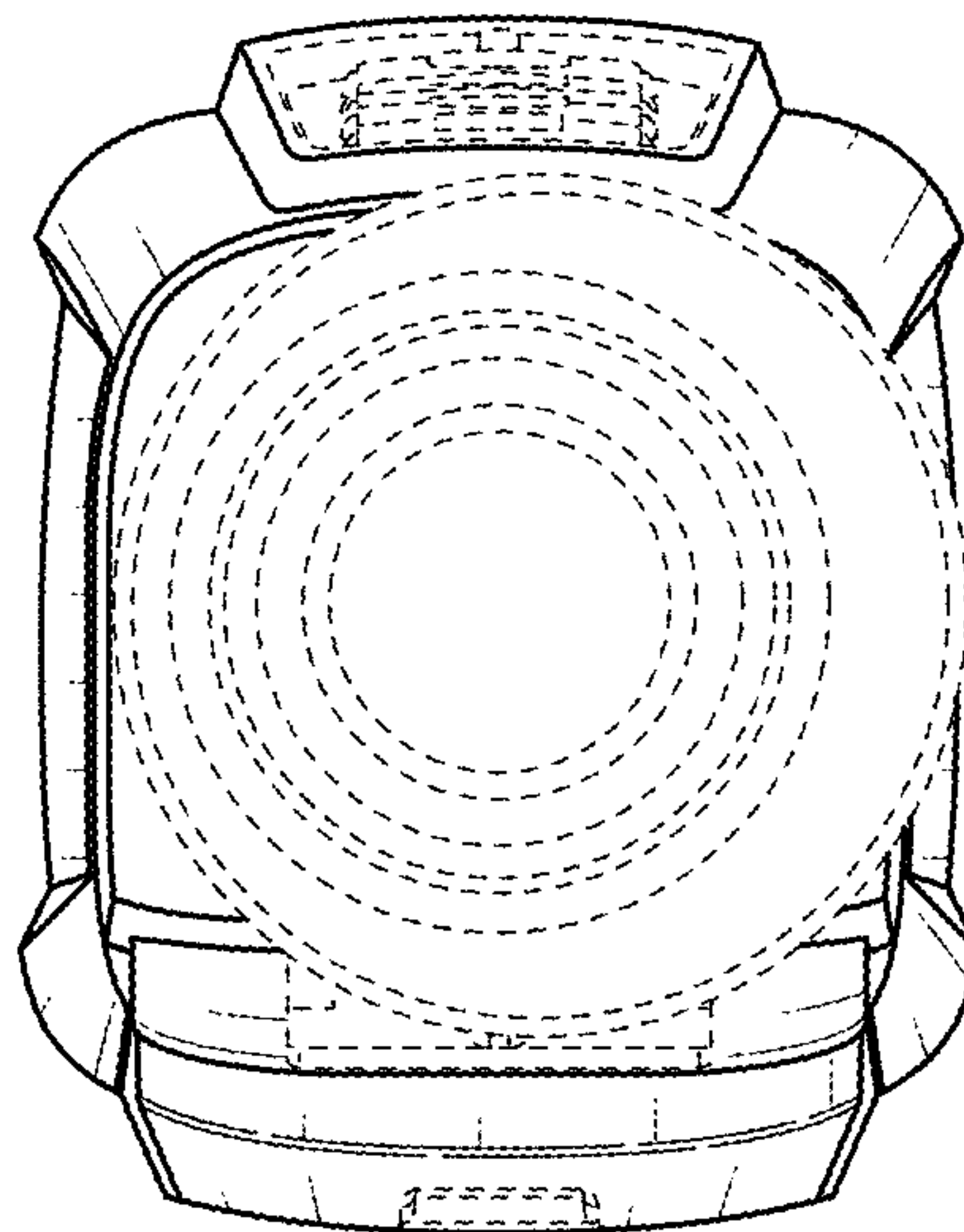


FIG. 4

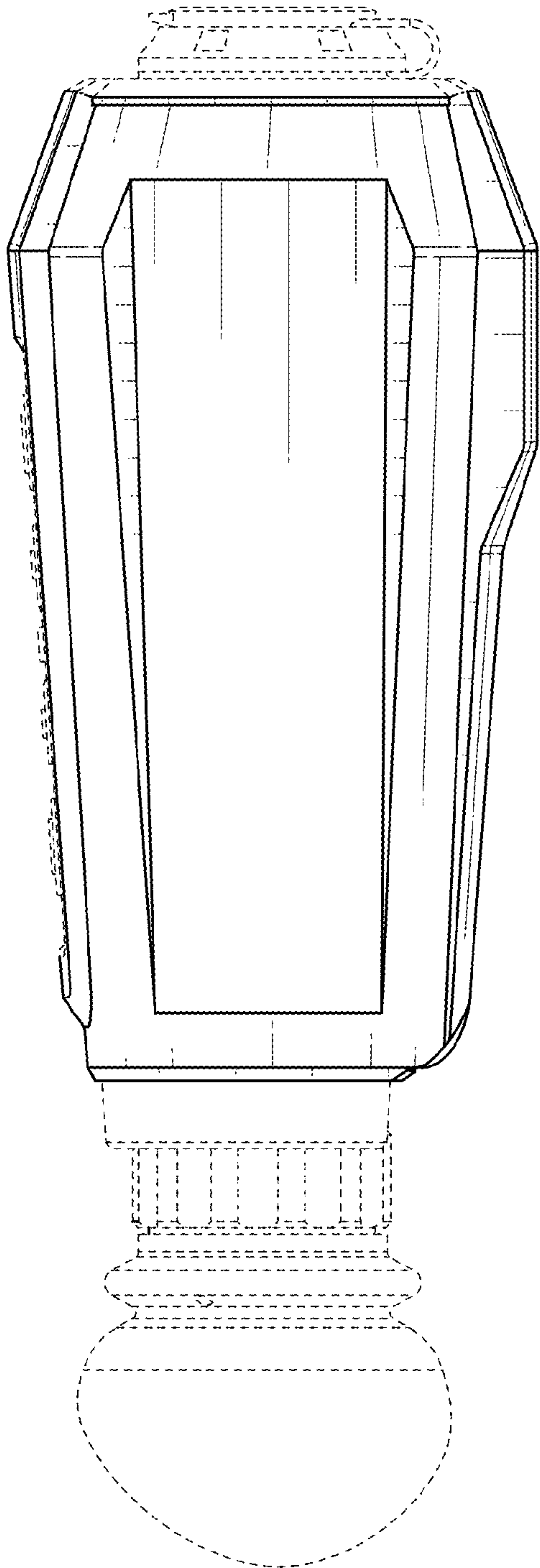


FIG. 5

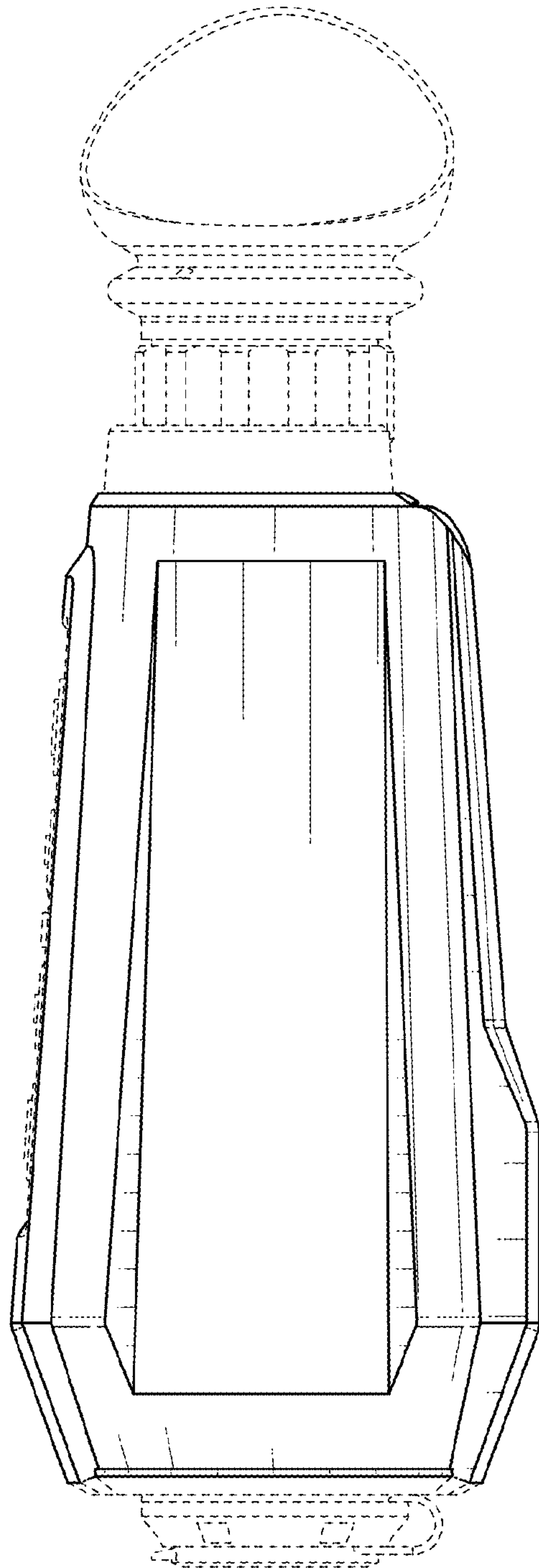


FIG. 6

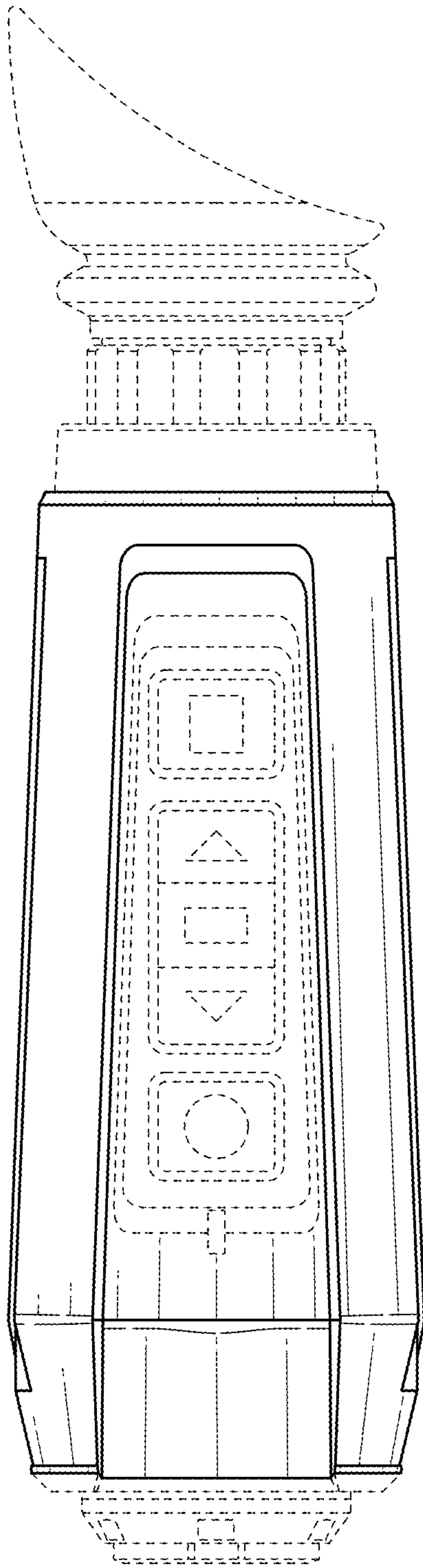


FIG. 7

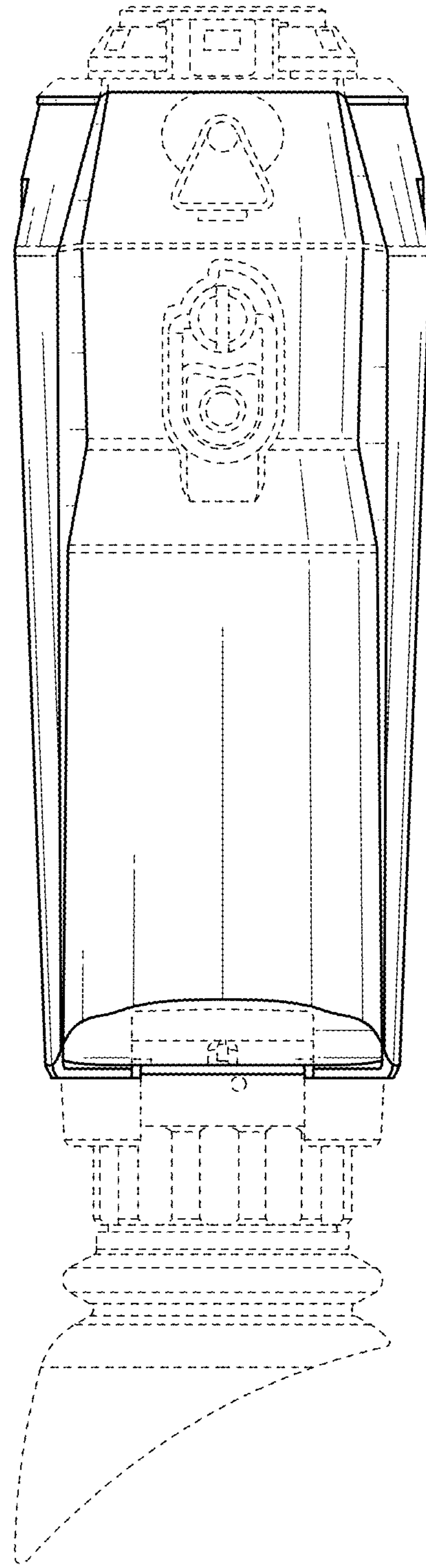


FIG. 8

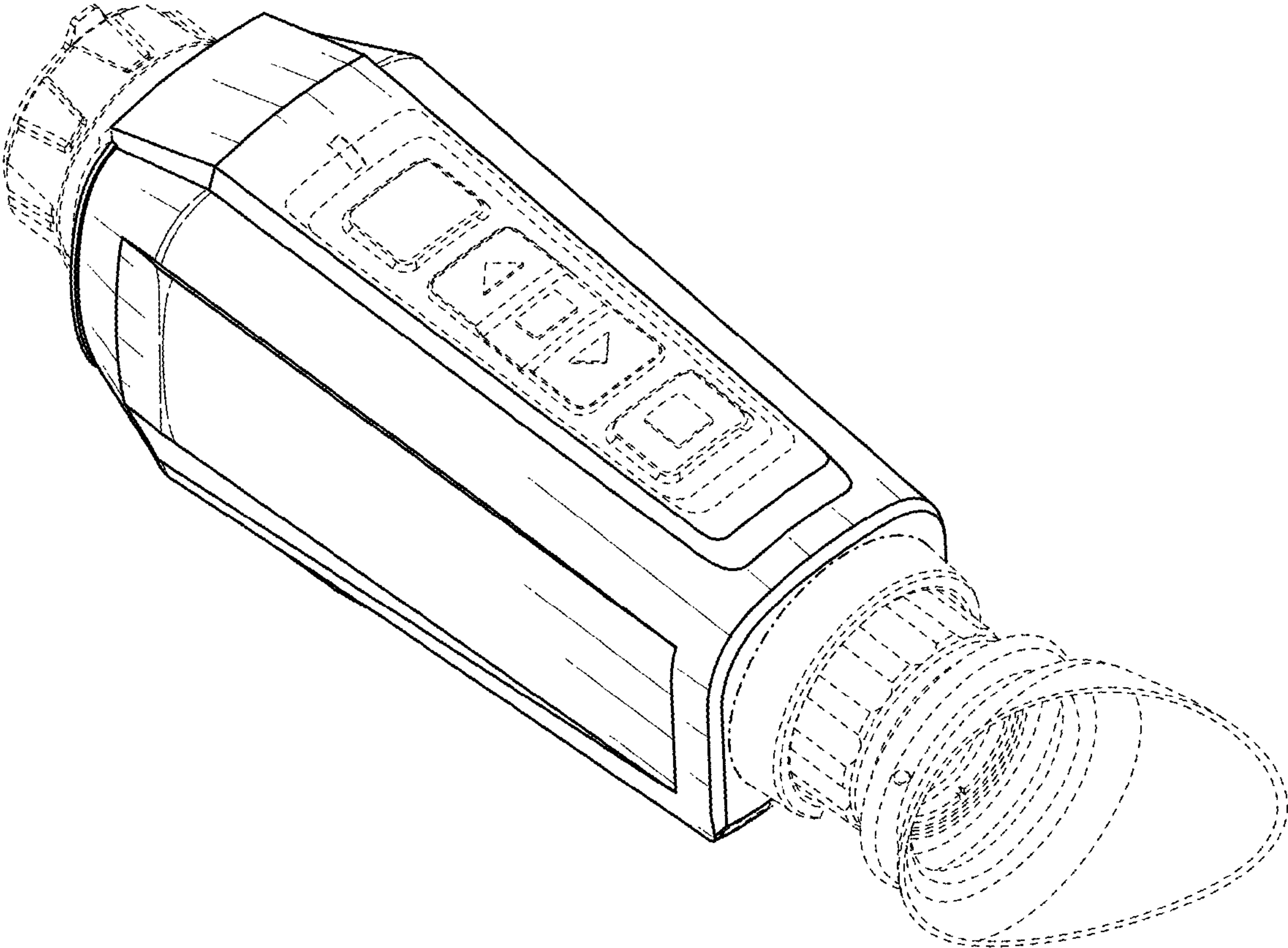


FIG. 9

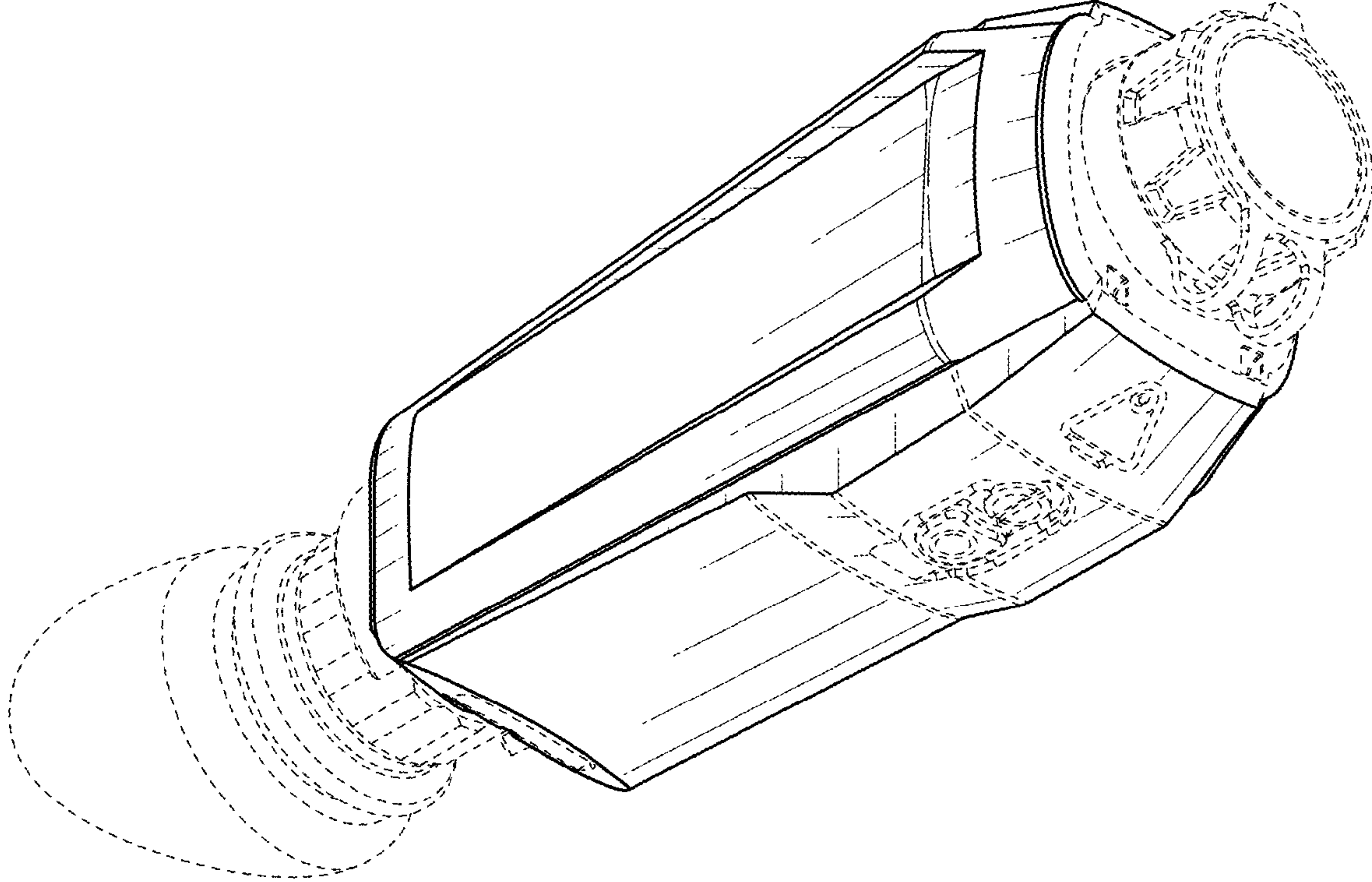


FIG. 10

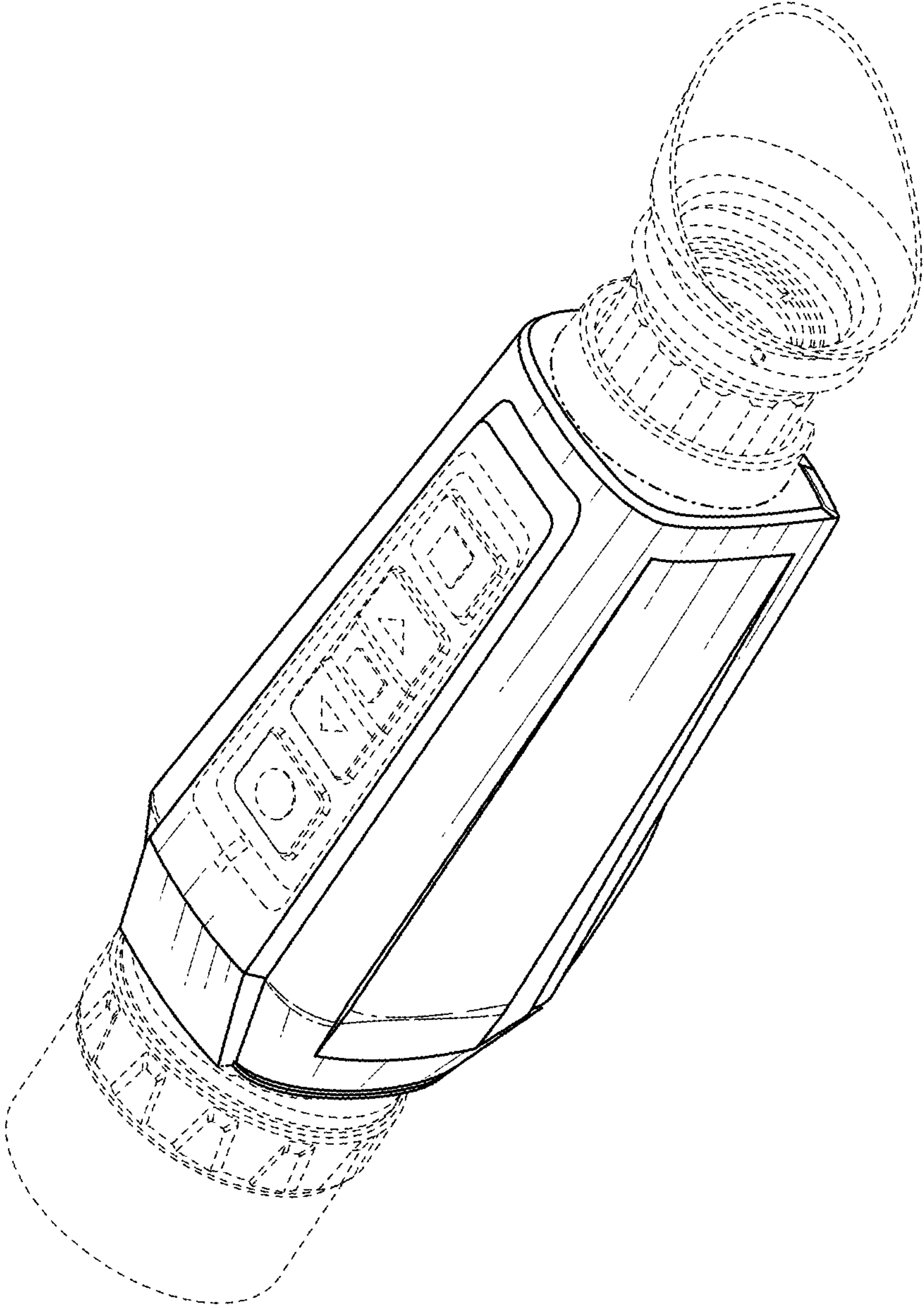


FIG. 11

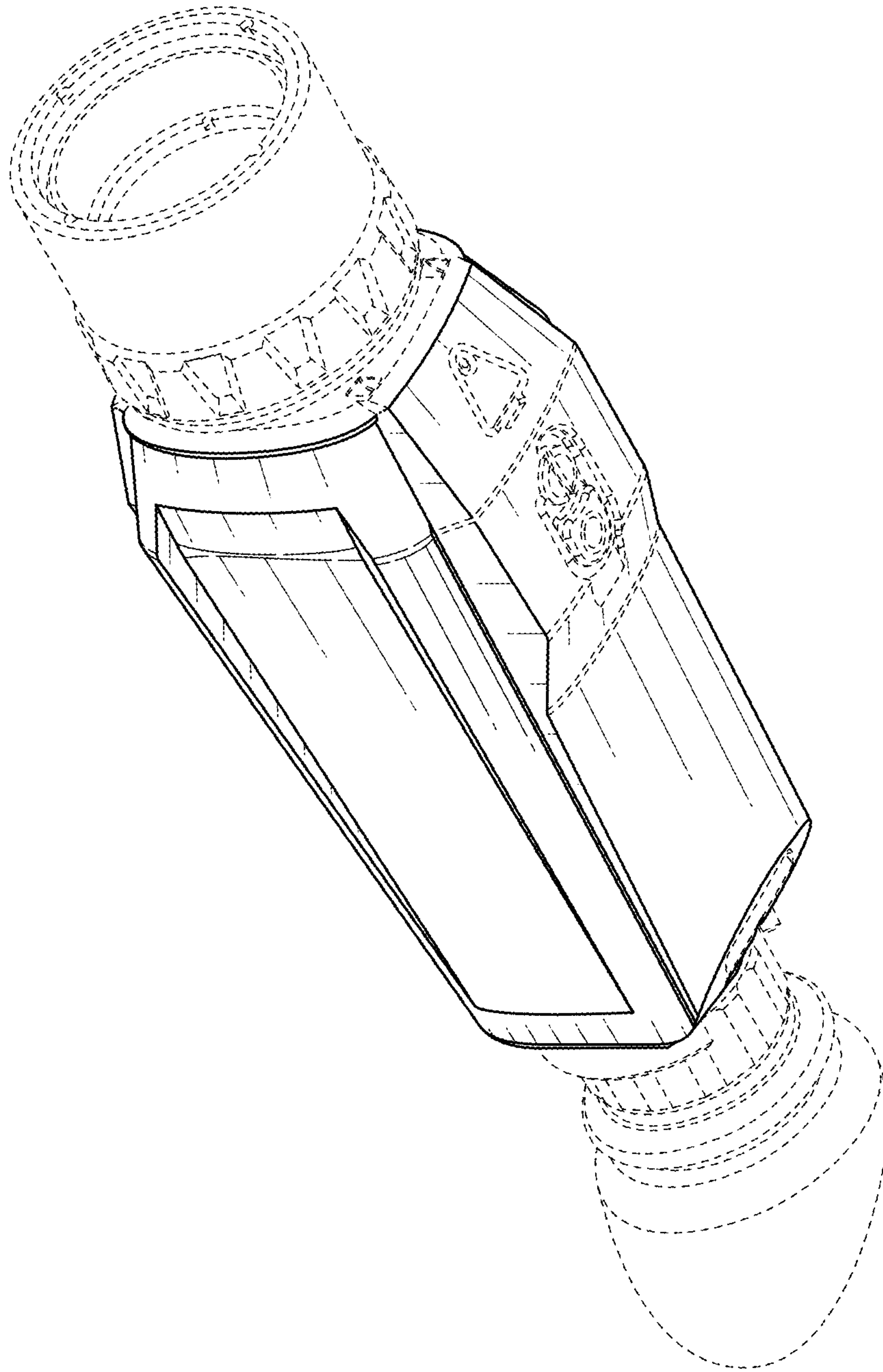


FIG. 12