



US00D890827S

(12) **United States Design Patent**
Maeno et al.

(10) **Patent No.:** **US D890,827 S**
(45) **Date of Patent:** **** Jul. 21, 2020**

- (54) **CUTTING TOOL**
- (71) Applicant: **SUMITOMO ELECTRIC HARDMETAL CORP.**, Itami-shi (JP)
- (72) Inventors: **Hideo Maeno**, Itami (JP); **Yosuke Shimamoto**, Itami (JP); **Takahiro Okuno**, Itami (JP); **Naoki Matsuda**, Itami (JP)
- (73) Assignee: **Sumitomo Electric Hardmetal Corp.**, Itami-shi (JP)
- (**) Term: **15 Years**
- (21) Appl. No.: **29/709,449**
- (22) Filed: **Oct. 15, 2019**

- D291,889 S 9/1987 Pettersson et al.
- D362,859 S 10/1995 Wiman et al.
- D365,112 S 12/1995 Wiman et al.
- D389,496 S 1/1998 Muren et al.
- D389,497 S 1/1998 Muren et al.

(Continued)

Primary Examiner — Patricia A Palasik
(74) *Attorney, Agent, or Firm* — Baker Botts L.L.P.;
Michael A. Sartori

Related U.S. Application Data

- (62) Division of application No. 29/657,878, filed on Jul. 26, 2018.

Foreign Application Priority Data

- (30) Jan. 29, 2018 (JP) 2018-001591
- Jan. 29, 2018 (JP) 2018-001592
- Jan. 29, 2018 (JP) 2018-001593
- Jul. 4, 2018 (JP) 2018-014760
- Jul. 4, 2018 (JP) 2018-014761

- (51) **LOC (12) Cl.** **15-09**
- (52) **U.S. Cl.**
USPC **D15/139**

- (58) **Field of Classification Search**
USPC D8/20, 70; D15/126, 131, 138, 139, 140
CPC B23C 5/109; B23C 5/207; E21B 10/52;
E21B 10/5673
See application file for complete search history.

(56) **References Cited**

U.S. PATENT DOCUMENTS

- 4,335,984 A 6/1982 Zweekly
- D280,514 S 9/1985 Reuven et al.

(57) **CLAIM**

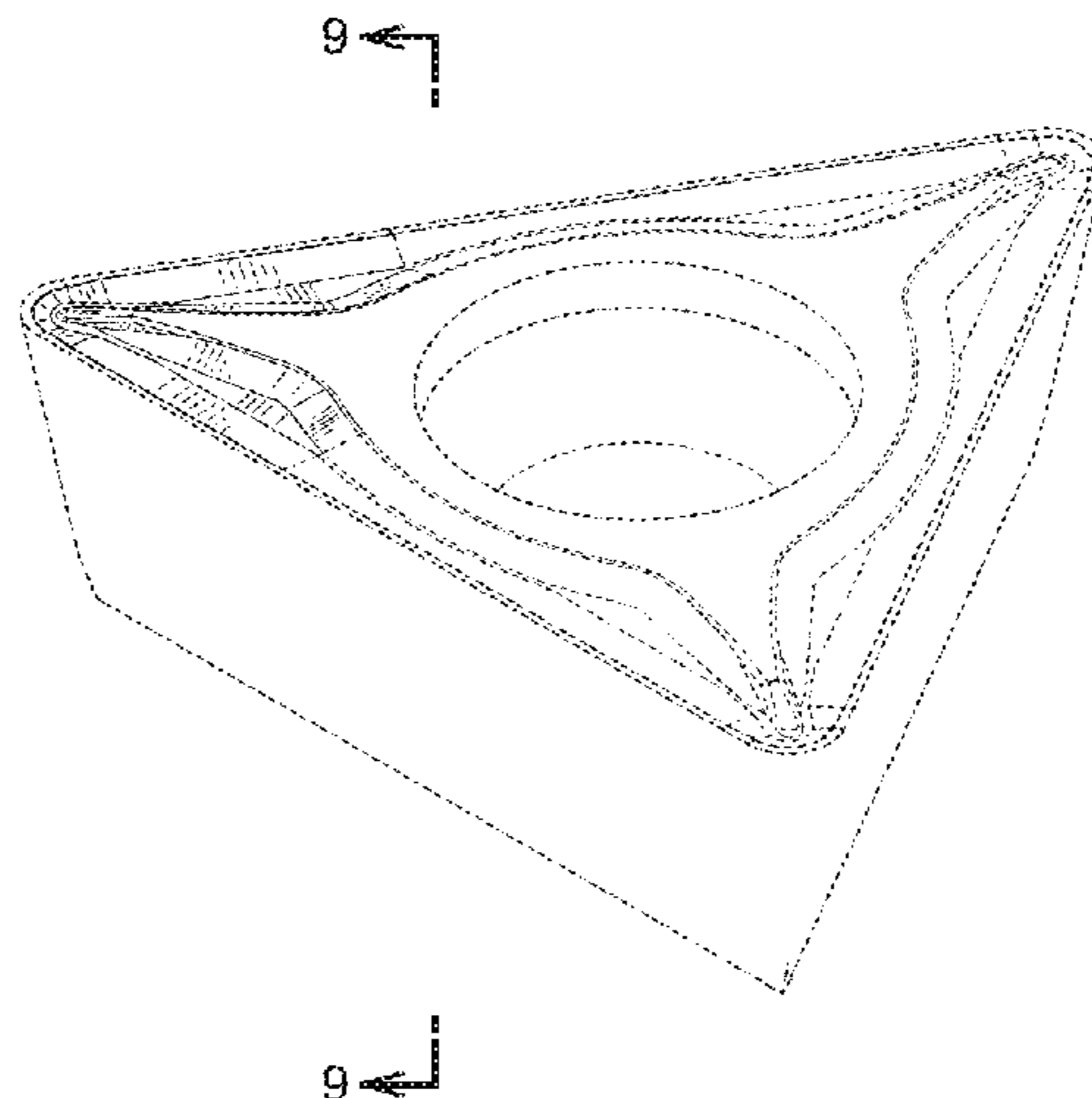
The ornamental design for a cutting tool, as shown and described.

DESCRIPTION

FIG. 1 is a front view of a cutting tool in accordance with an embodiment of the present design, FIG. 2 is a rear view thereof; FIG. 3 is a right side view thereof; FIG. 4 is a left side view thereof; FIG. 5 is a top view thereof; FIG. 6 is a bottom view thereof; FIG. 7 is a first perspective view thereof; FIG. 8 is a second perspective view thereof; FIG. 9 is an enlarged perspective view taken along line 9-9 of FIG. 7; FIG. 10 is a cross sectional view taken along line 10-10 of FIG. 5; FIG. 11 is a cross sectional view taken along line 11-11 of FIG. 9; and, FIG. 12 is a cross sectional view taken along line 12-12 of FIG. 9.

The broken lines shown in views represent portions of the cutting tool that form no part of the claimed design. The long dashed and short dashed line indicates a boundary between the claimed portions and the other portions.

1 Claim, 5 Drawing Sheets



(56)

References Cited

U.S. PATENT DOCUMENTS

D389,846	S	1/1998	Muren et al.	
D393,270	S	4/1998	Muren et al.	
D395,663	S	6/1998	Muren et al.	
D404,744	S	1/1999	Bernadic et al.	
D404,745	S	1/1999	Bernadic et al.	
D410,475	S	6/1999	Bernadic et al.	
D414,194	S	9/1999	Patterson et al.	
D416,917	S	11/1999	Xie et al.	
6,249,950	B1	6/2001	Brask et al.	
D472,567	S	4/2003	Katbi et al.	
D474,213	S	5/2003	Brockett et al.	
D477,003	S	7/2003	Muren et al.	
D481,047	S	10/2003	Brockett et al.	
D491,588	S *	6/2004	Kasperik	D15/139
6,857,831	B2	2/2005	Davis	
D503,181	S *	3/2005	Kasperik	D15/139
D522,025	S *	5/2006	Niebauer	D15/139
D523,040	S *	6/2006	Niebauer	D15/139
8,840,344	B2	9/2014	Stenman	
D794,103	S	8/2017	Jeon	
D806,150	S *	12/2017	Komiyama	D15/139
D815,165	S *	4/2018	Morisaki	D15/139
D829,786	S	10/2018	Furusawa	
D848,495	S	5/2019	Maeno et al.	
2005/0214080	A1 *	9/2005	Satran	B23C 5/109 407/113
2012/0070242	A1	3/2012	Choi et al.	
2014/0010607	A1	1/2014	Wandebach et al.	

* cited by examiner

FIG. 1

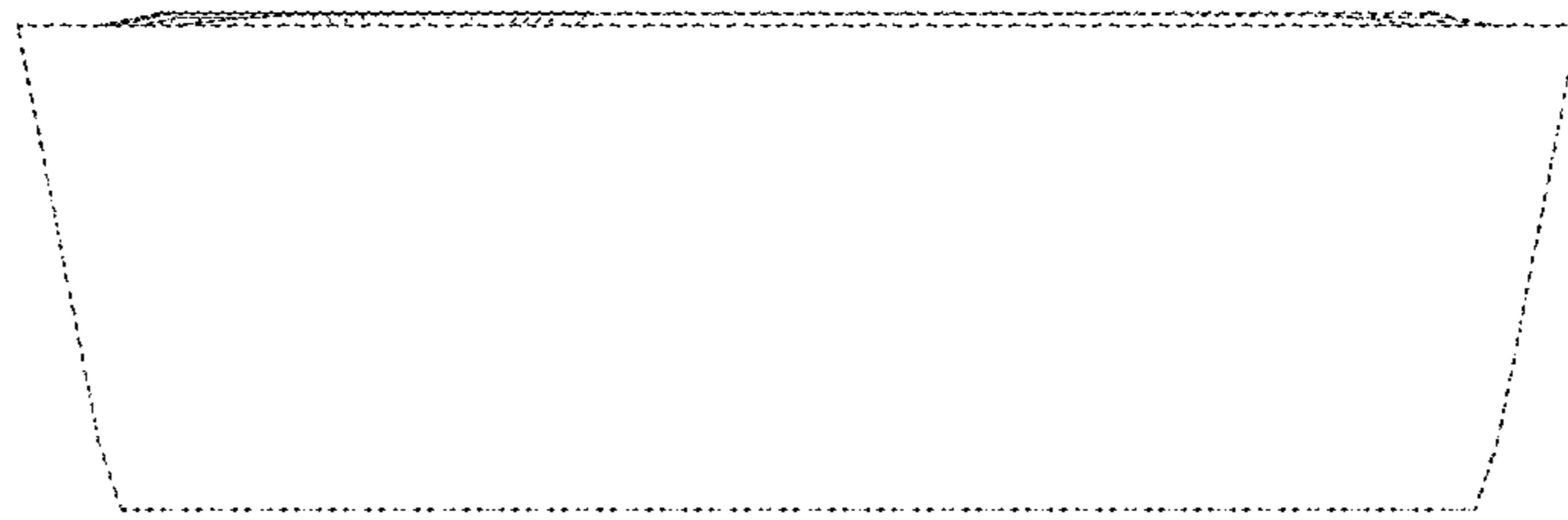


FIG. 2

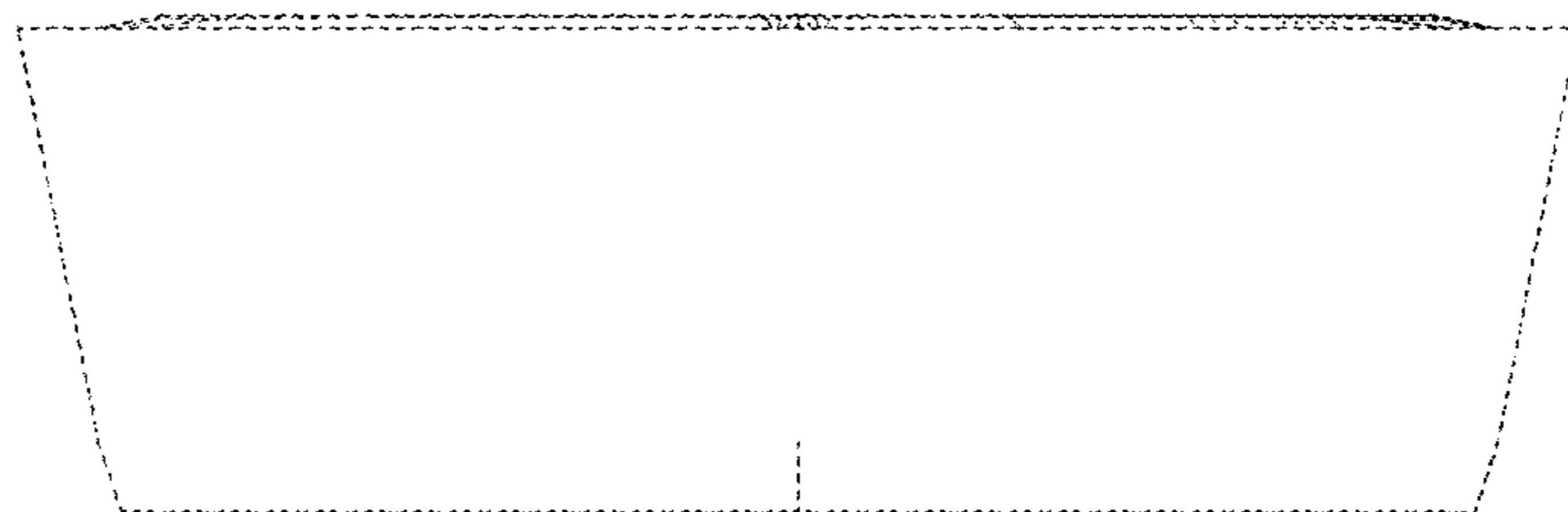


FIG. 3

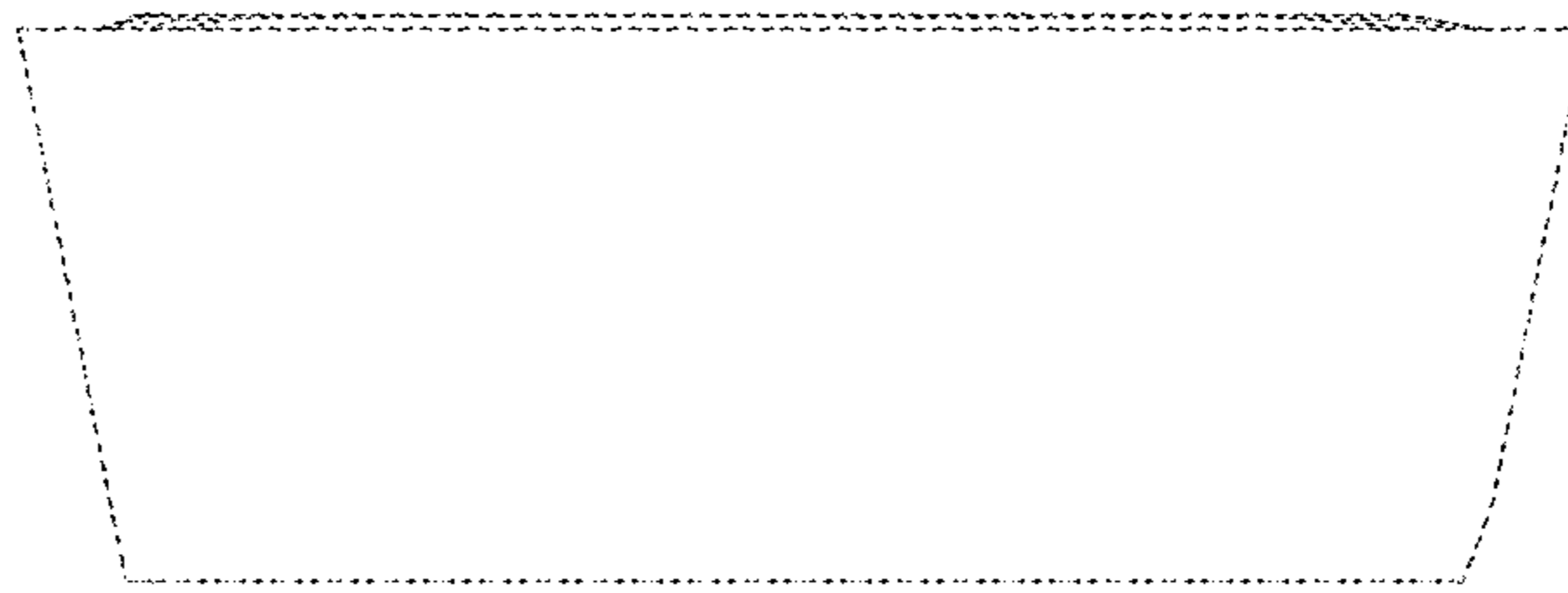


FIG. 4

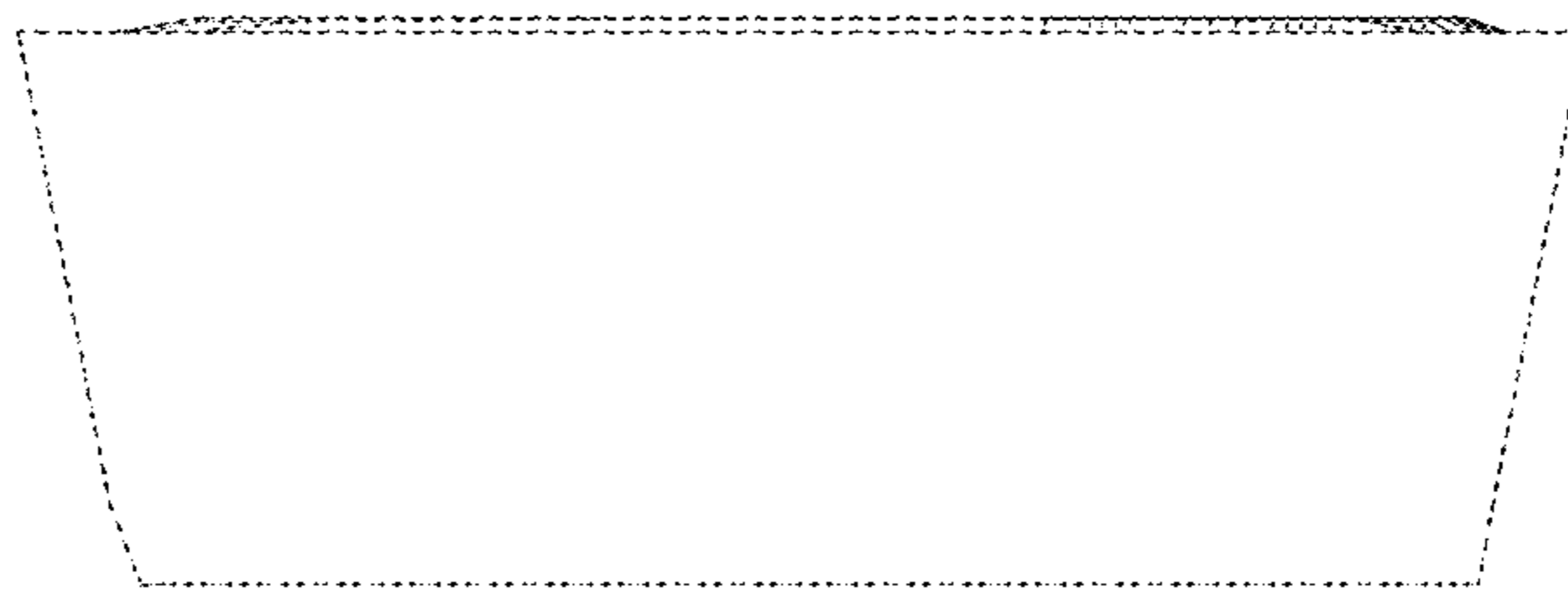


FIG. 5

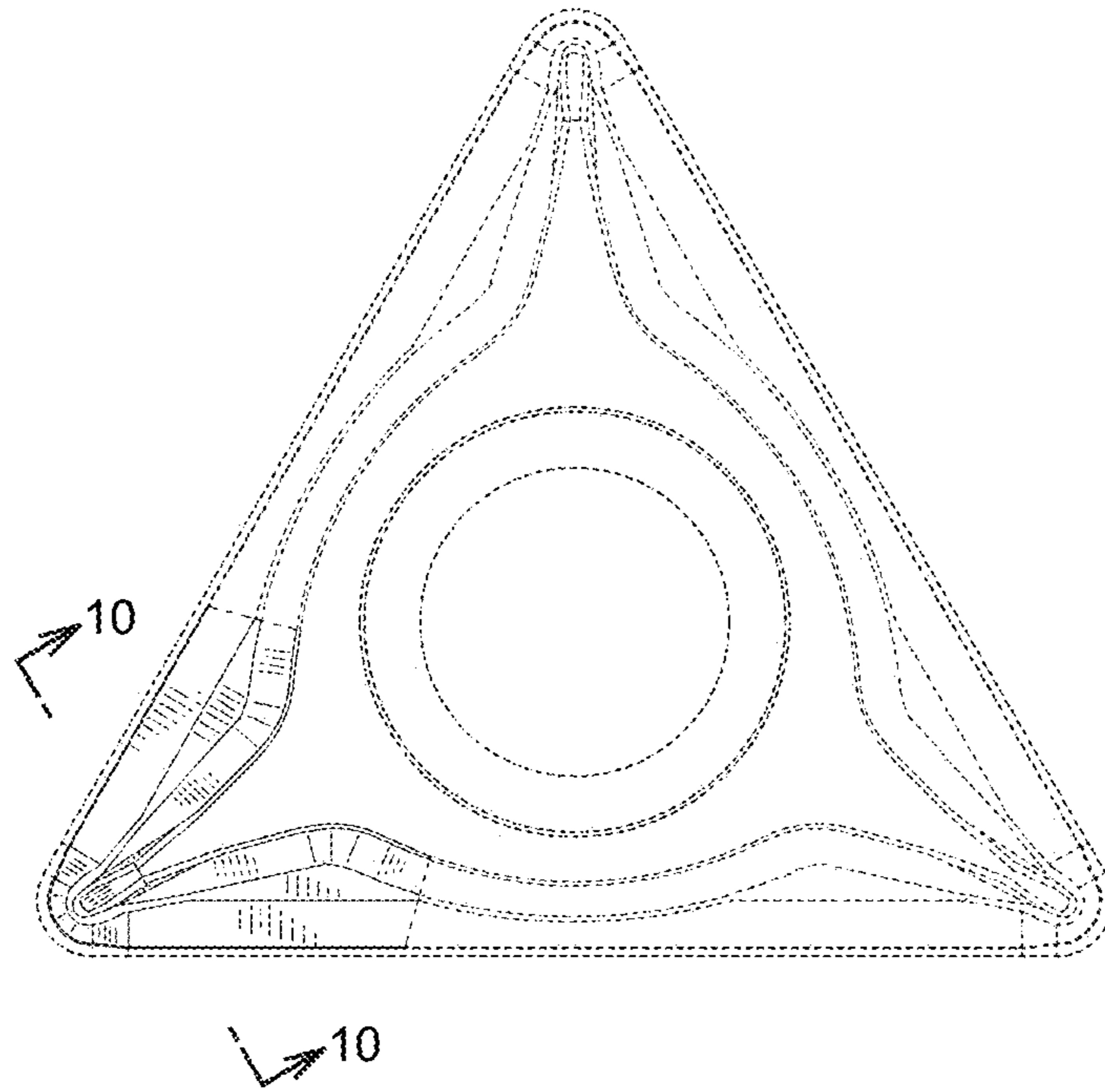


FIG. 6

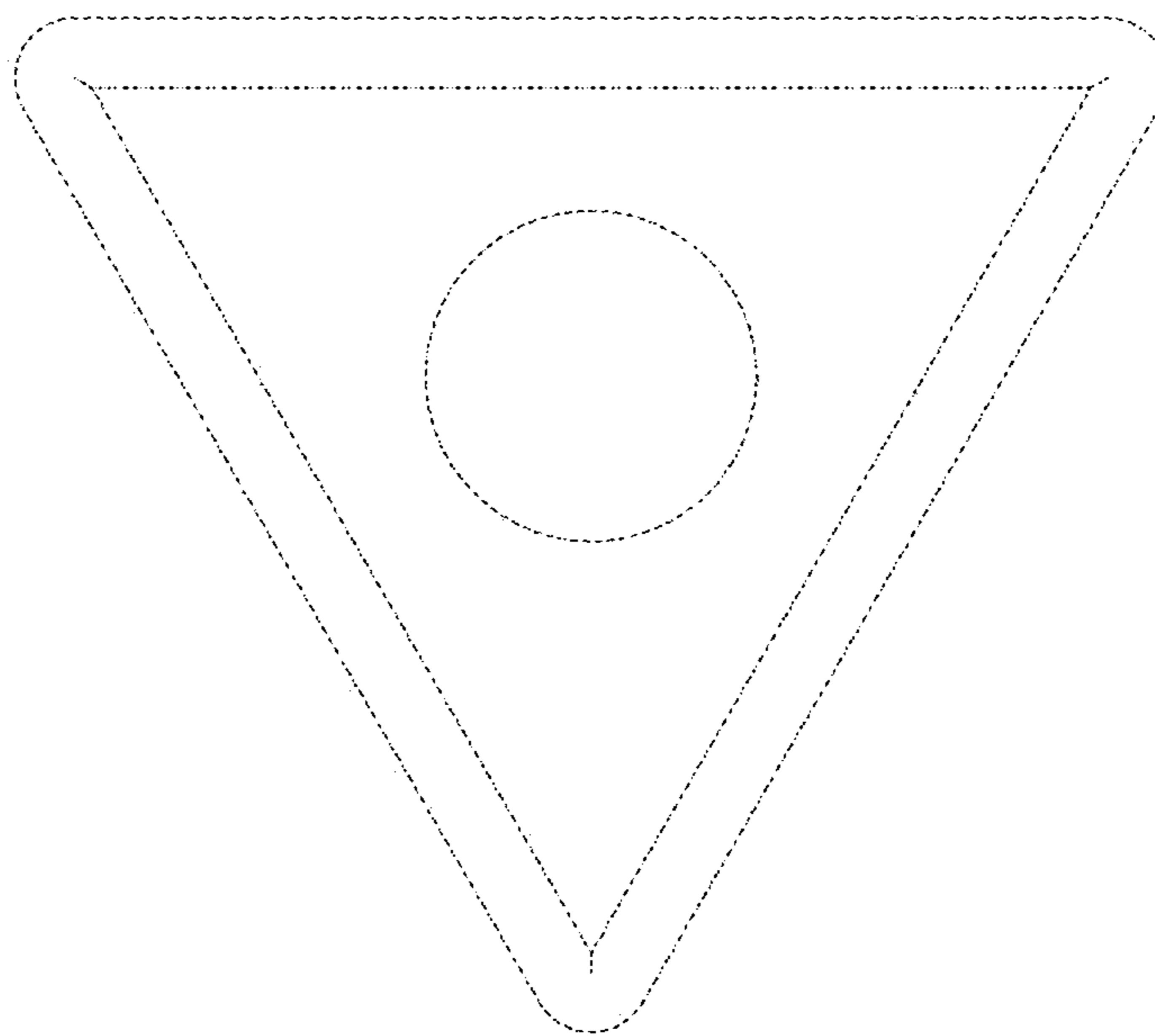


FIG. 7

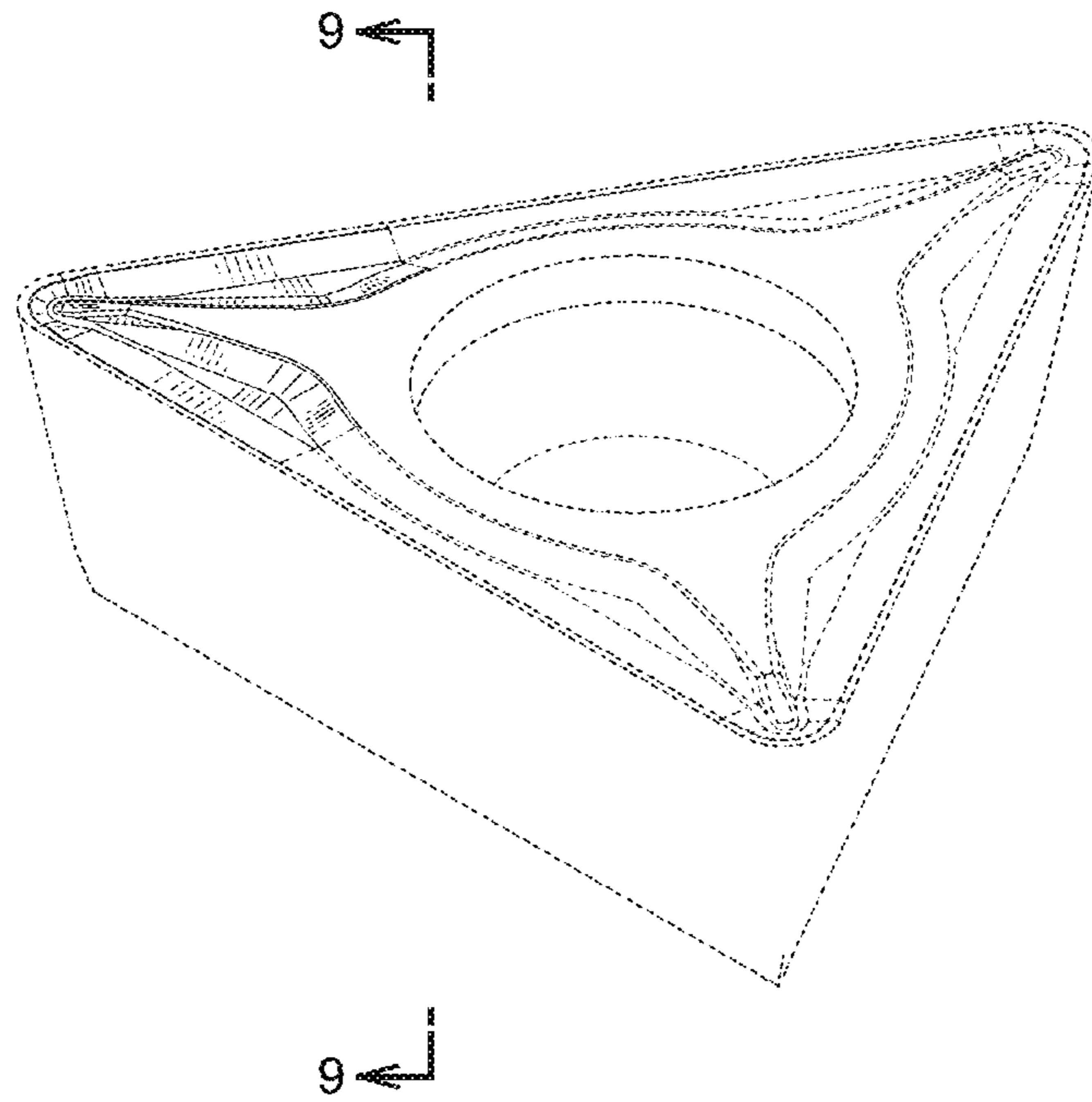


FIG. 8

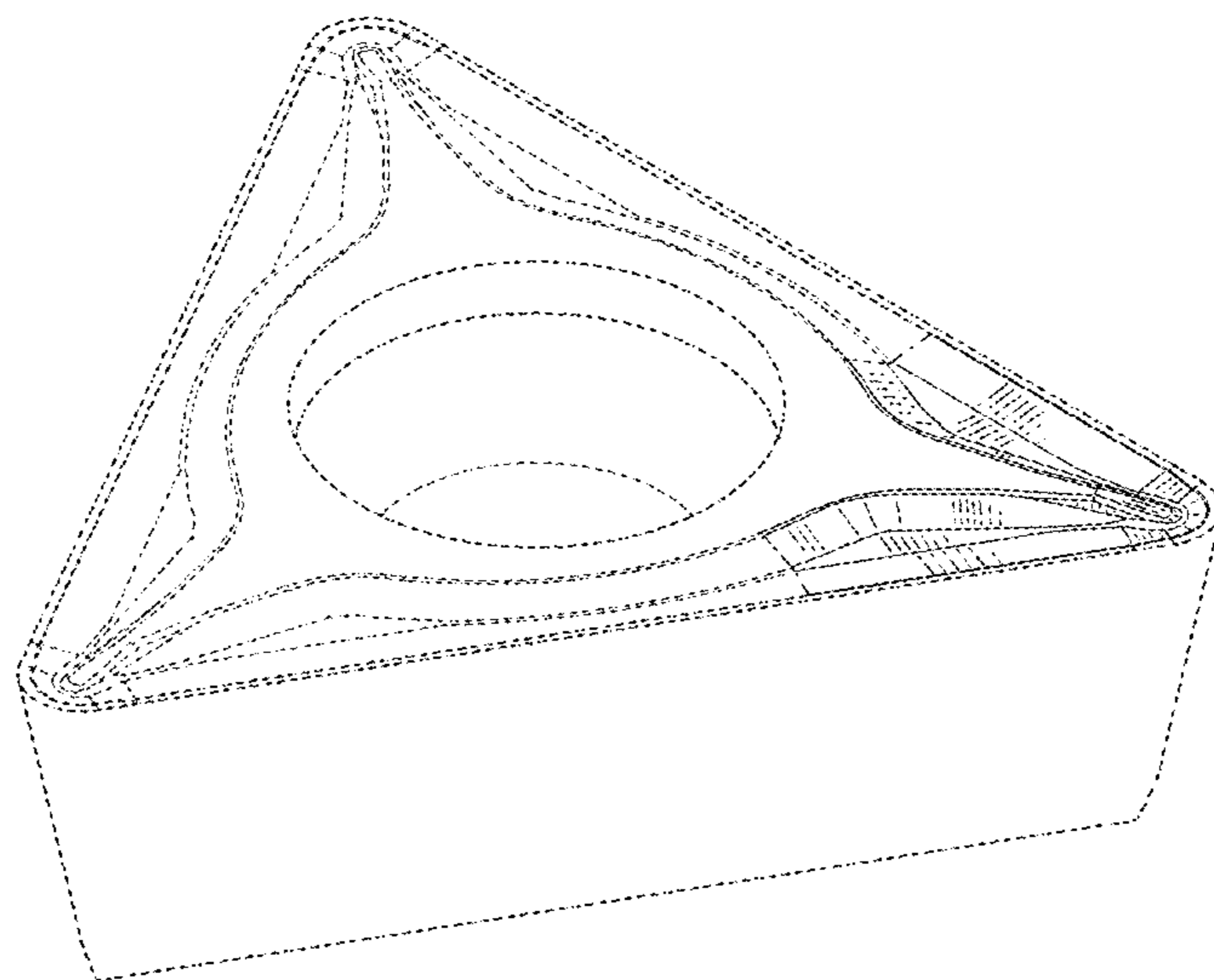


FIG. 9

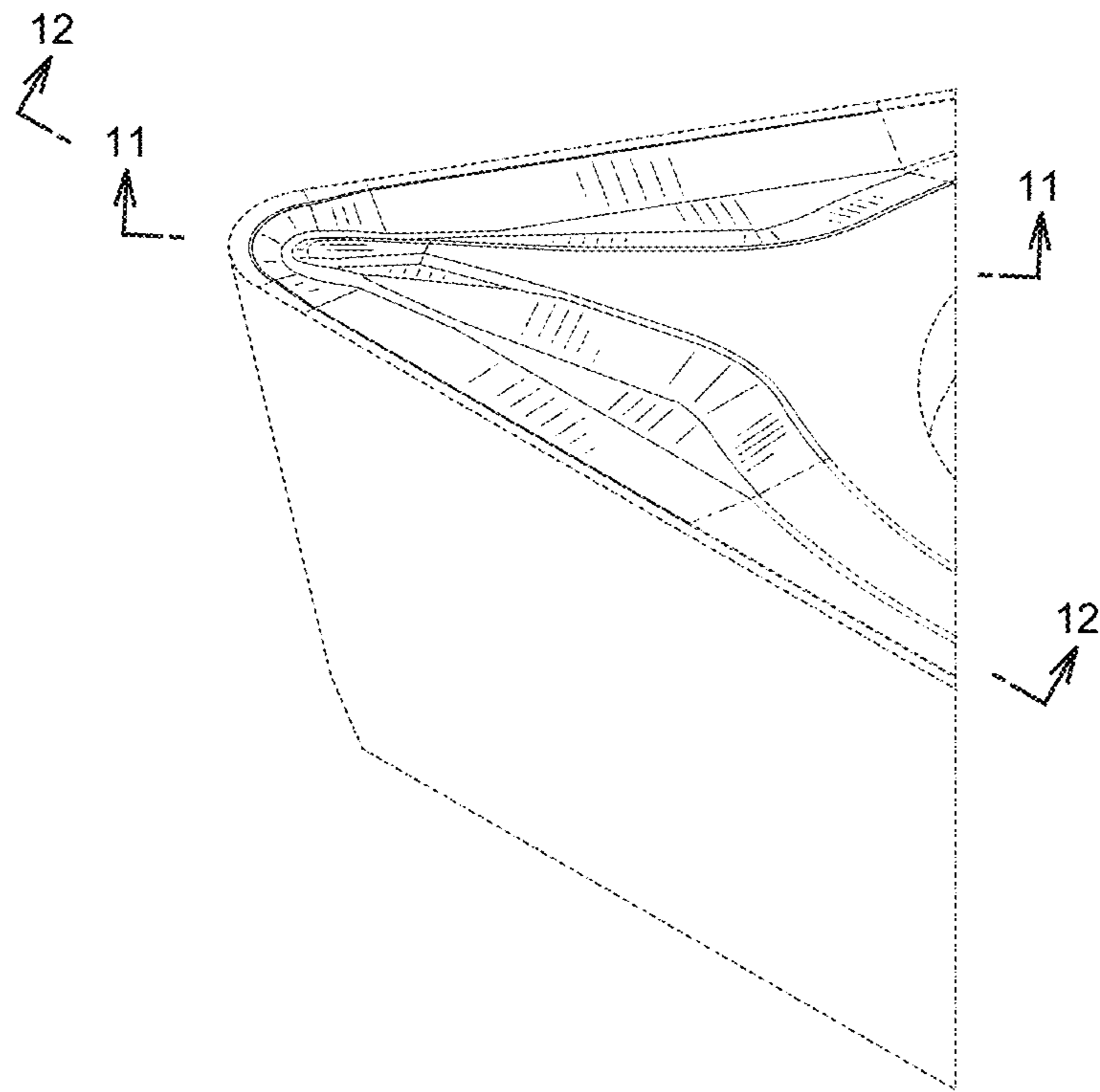


FIG. 10

