



US00D890826S

(12) **United States Design Patent**
Howell

(10) **Patent No.:** **US D890,826 S**
(45) **Date of Patent:** **** Jul. 21, 2020**

- (54) **TOOL BIT**
- (71) Applicant: **Harbor Freight Tools USA, Inc.**,
Calabasas, CA (US)
- (72) Inventor: **Jon Howell**, Agoura Hills, CA (US)
- (73) Assignee: **Harbor Freight Tools USA, INC.**,
Calabasas, CA (US)
- (**) Term: **15 Years**
- (21) Appl. No.: **29/708,132**
- (22) Filed: **Oct. 3, 2019**

- 4,286,904 A 9/1981 Porter et al.
- 4,682,917 A 7/1987 Williams, III et al.
- 5,221,166 A 6/1993 Bothum
- 5,286,143 A 2/1994 Schimke
- 5,291,806 A 3/1994 Bothum
- 5,433,561 A 7/1995 Schimke
- D372,485 S 8/1996 Stone et al.
- D376,809 S 12/1996 Stone et al.
- 5,649,796 A 7/1997 Dumey
- 5,697,738 A 12/1997 Stone et al.
- 5,700,113 A 12/1997 Stone et al.
- D394,663 S 5/1998 Stone et al.
- D408,424 S 4/1999 Schmotzer
- 6,227,774 B1 5/2001 Haughton et al.
- 6,290,439 B1 9/2001 Bludis et al.
- 6,354,773 B1 3/2002 Konen
- D504,446 S 4/2005 Kobayashi
- D507,585 S 7/2005 Held

(Continued)

Related U.S. Application Data

- (63) Continuation of application No. 29/641,453, filed on
Mar. 22, 2018, now Pat. No. Des. 872,782.
- (51) **LOC (12) Cl.** **15-09**
- (52) **U.S. Cl.**
USPC **D15/139**
- (58) **Field of Classification Search**
USPC D8/20, 70, 98-99; D15/127, 133, 139,
D15/140
CPC B23B 51/02; B23B 2251/18; B23B
2251/241; B23B 2251/404; Y10T 408/04;
Y10T 408/78; Y10T 408/89; Y10T
408/909; Y10T 408/9095; Y10T 408/9097
See application file for complete search history.

(56) **References Cited**

U.S. PATENT DOCUMENTS

- 20,192 A 5/1858 Clark
- 124,089 A 2/1872 Shepardson
- 2,627,292 A 2/1953 Kronwall
- 2,782,824 A 2/1957 Robinson
- 3,920,350 A 11/1975 Southall
- 3,997,279 A 12/1976 Porter

Primary Examiner — Patricia A Palasik

(74) *Attorney, Agent, or Firm* — McAndrews Held &
Malloy, Ltd.

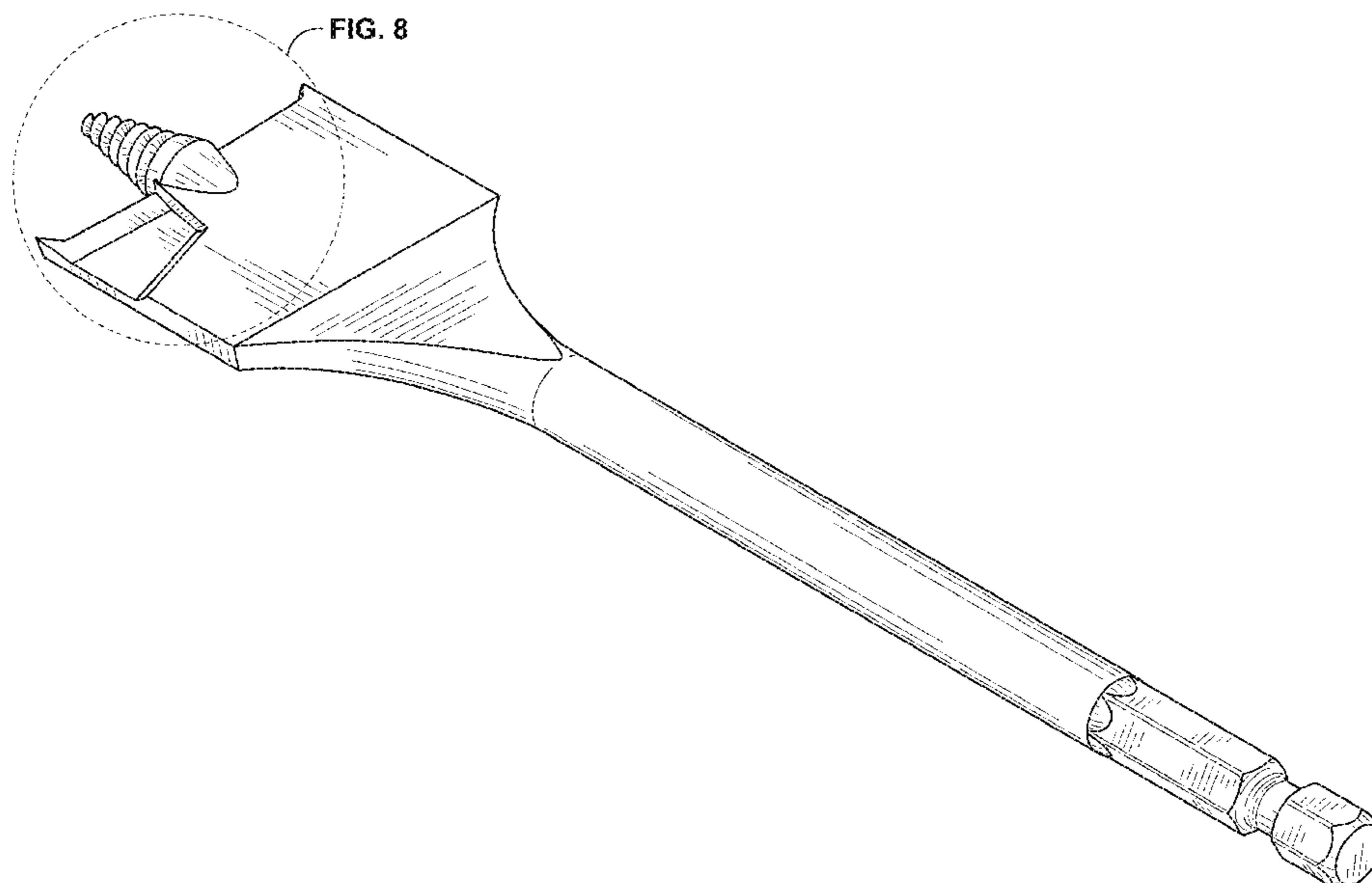
(57) **CLAIM**

The ornamental design for a tool bit, as shown and
described.

DESCRIPTION

FIG. 1 is a front perspective view of a tool bit showing my
new design;
FIG. 2 is a bottom plan view thereof;
FIG. 3 is a top plan view thereof;
FIG. 4 is a right side elevation view thereof;
FIG. 5 is a left side elevation thereof;
FIG. 6 is a front elevation view thereof;
FIG. 7 is a rear elevation view thereof; and,
FIG. 8 is an enlarged view of portion 8 encircled in FIG. 1.
The dashed broken lines in the drawings encircle portions of
the claimed design that are illustrated in enlargements and
form no part of the claimed design.

1 Claim, 4 Drawing Sheets



(56)

References Cited

U.S. PATENT DOCUMENTS

6,957,937	B2	10/2005	Vasudeva	
7,140,814	B2	11/2006	Singh	
D544,892	S	6/2007	Watson	
7,246,976	B2	7/2007	Nordlin	
7,267,513	B2	9/2007	Wiker et al.	
D580,462	S	11/2008	Liao	
7,473,056	B2	1/2009	Durfee	
7,544,026	B2	6/2009	Durfee	
D604,751	S	11/2009	Dost et al.	
D608,801	S	1/2010	Evatt	
D608,802	S	1/2010	Ibarra	
D627,805	S	11/2010	Dost et al.	
7,887,269	B2	2/2011	Dost et al.	
7,905,690	B2	3/2011	Durfee	
7,922,429	B2	4/2011	Durfee	
8,147,174	B2	4/2012	Durfee	
8,262,325	B2	9/2012	Dost et al.	
8,366,357	B2	2/2013	Dost et al.	
8,545,140	B2	10/2013	Burn	
8,979,444	B2	3/2015	Dost	
D872,782	S *	1/2020	Howell	D15/139
2003/0035694	A1	2/2003	Liao	
2005/0249563	A1	11/2005	Scott et al.	
2006/0083595	A1	4/2006	Wiker et al.	
2013/0149060	A1	6/2013	Dost et al.	
2015/0063935	A1	3/2015	Lau et al.	

* cited by examiner

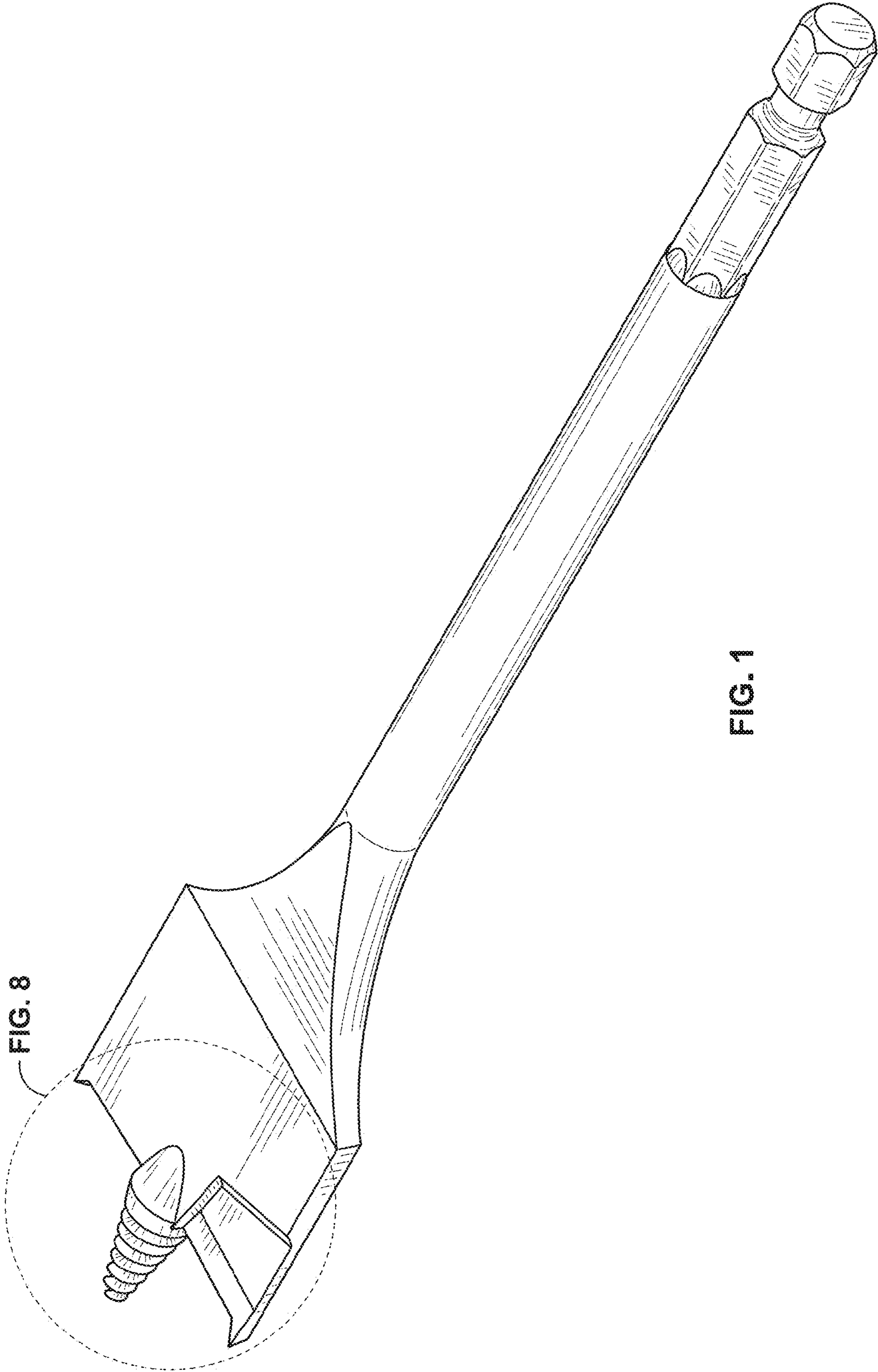


FIG. 8

FIG. 1

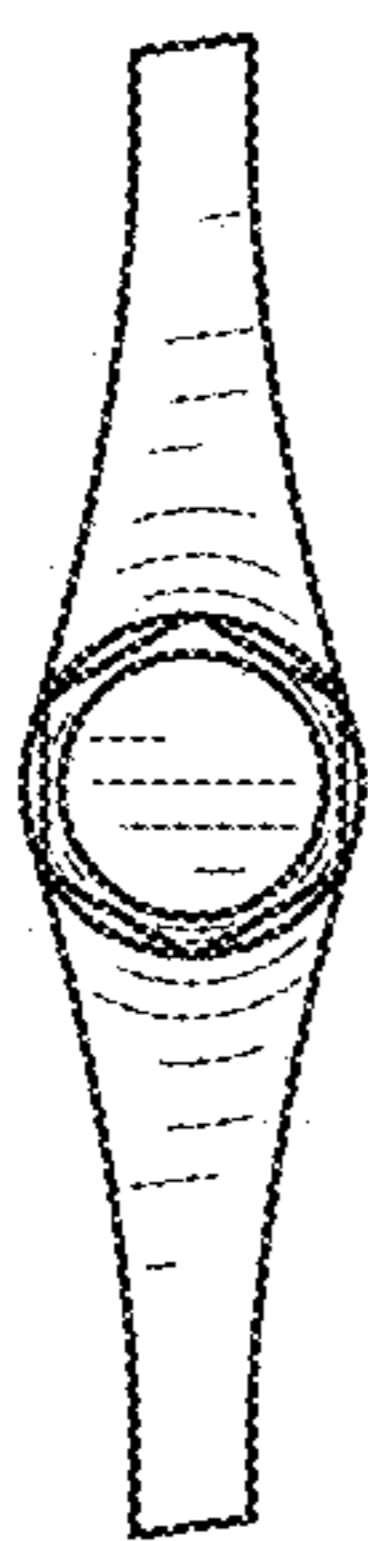


FIG. 2

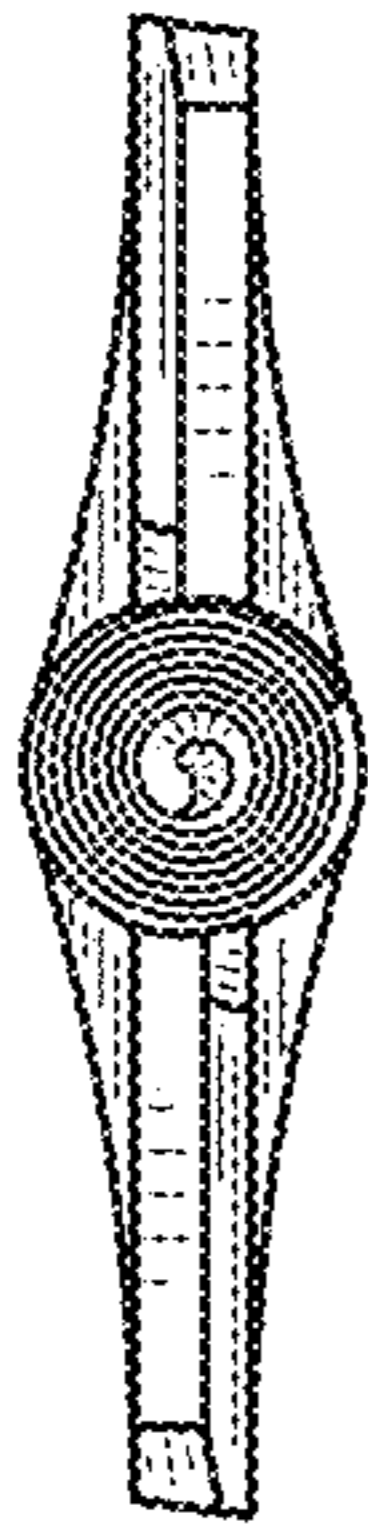


FIG. 3

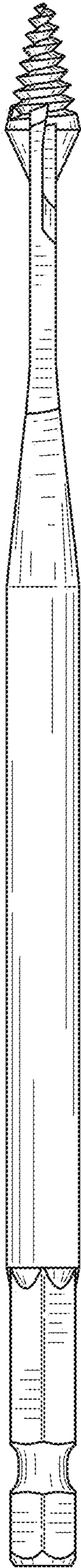


FIG. 4

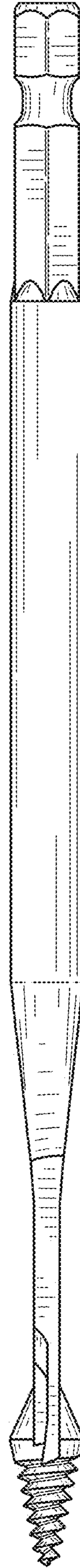


FIG. 5

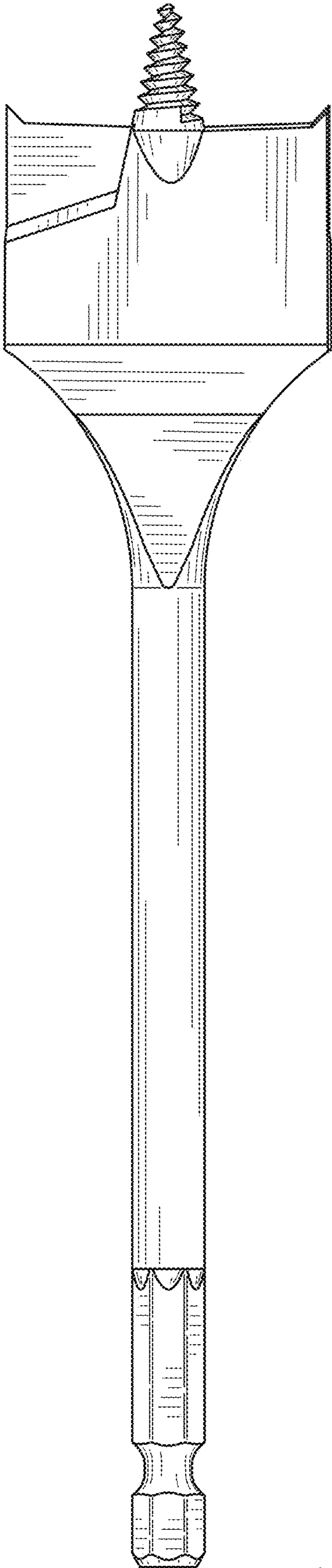


FIG. 6

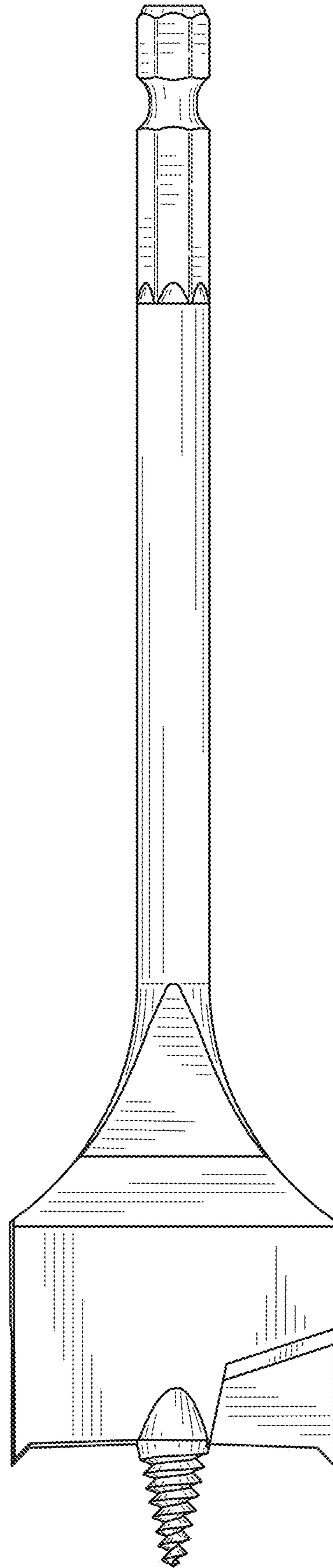


FIG. 7

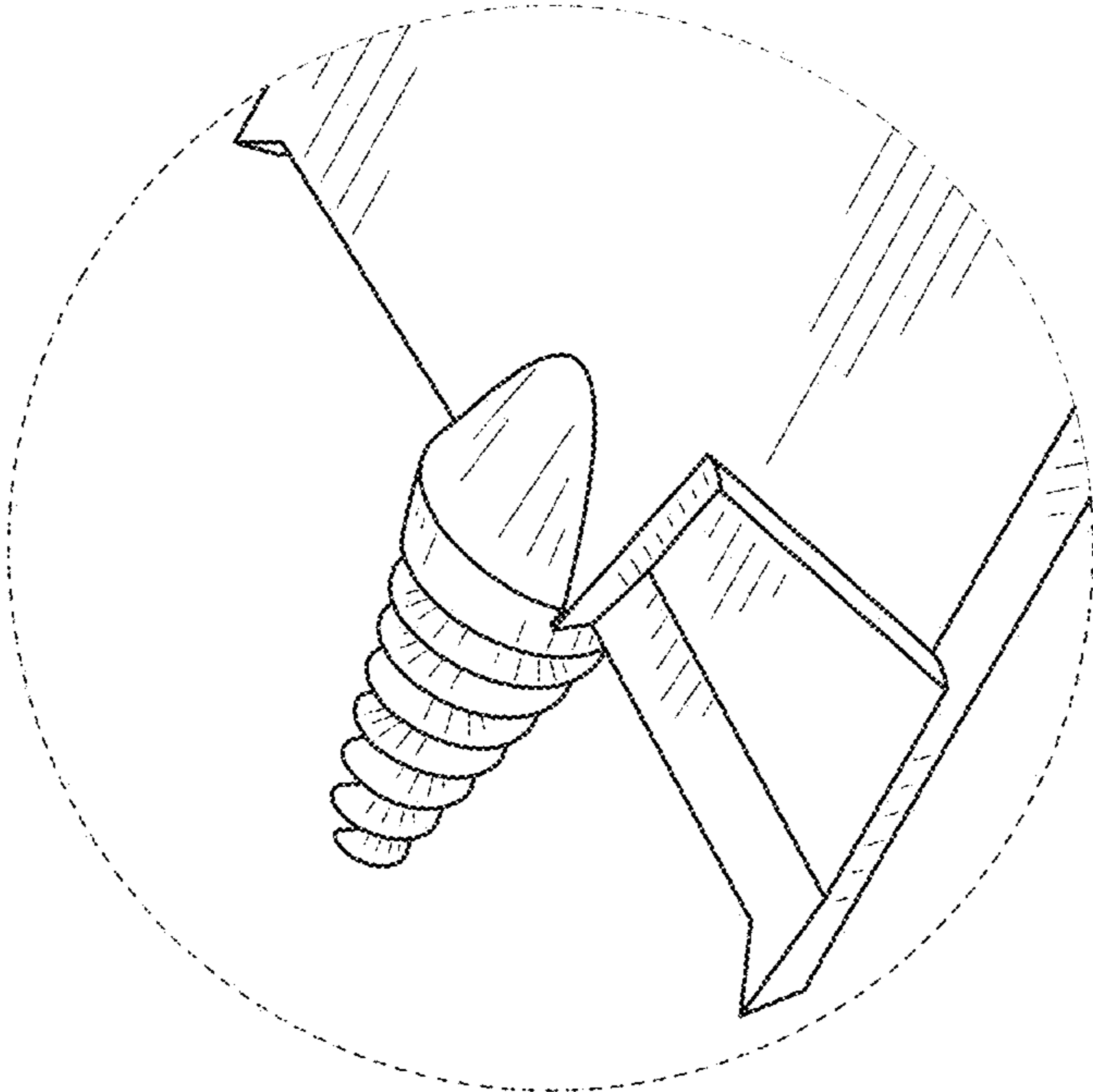


FIG. 8