



US00D890824S

(12) **United States Design Patent** (10) **Patent No.:** **US D890,824 S**
Kobayashi et al. (45) **Date of Patent:** **** Jul. 21, 2020**

(54) **SUBSTRATE HOLDING PARTS**
(71) Applicant: **EBARA CORPORATION**, Tokyo (JP)
(72) Inventors: **Kenichi Kobayashi**, Tokyo (JP); **Asagi Matsugu**, Tokyo (JP); **Makoto Kashiwagi**, Tokyo (JP); **Manao Hoshina**, Tokyo (JP)
(73) Assignee: **EBARA CORPORATION**, Tokyo (JP)
(**) Term: **15 Years**
(21) Appl. No.: **29/676,941**
(22) Filed: **Jan. 16, 2019**

(30) **Foreign Application Priority Data**
Jul. 18, 2018 (JP) 2018-015734
(51) **LOC (12) Cl.** **15-03**
(52) **U.S. Cl.**
USPC **D15/138**

(58) **Field of Classification Search**
USPC D15/138, 126, 28, 145; D10/113.2;
D8/349, 354-356, 363, 367, 370-373,
D8/380-382, 384, 381
CPC B29C 66/71; B29C 2947/92047; B29C
2947/92209; B29C 2947/92542; B29C
2947/92704; B29C 47/00; B29C 47/0014;
B29C 47/6087; B29C 64/153; B29C
64/20; B29C 65/08; B29C 65/18; B29C
65/745; B29C 66/1122; B29C 66/4312;
B29C 66/4322; B29C 66/73711; B29C
66/81435; B29C 66/8221; B29C
66/83221; B29C 66/849; B29C 66/91421;
B29C 66/91431; B29C 66/919; B29C
67/0055
See application file for complete search history.

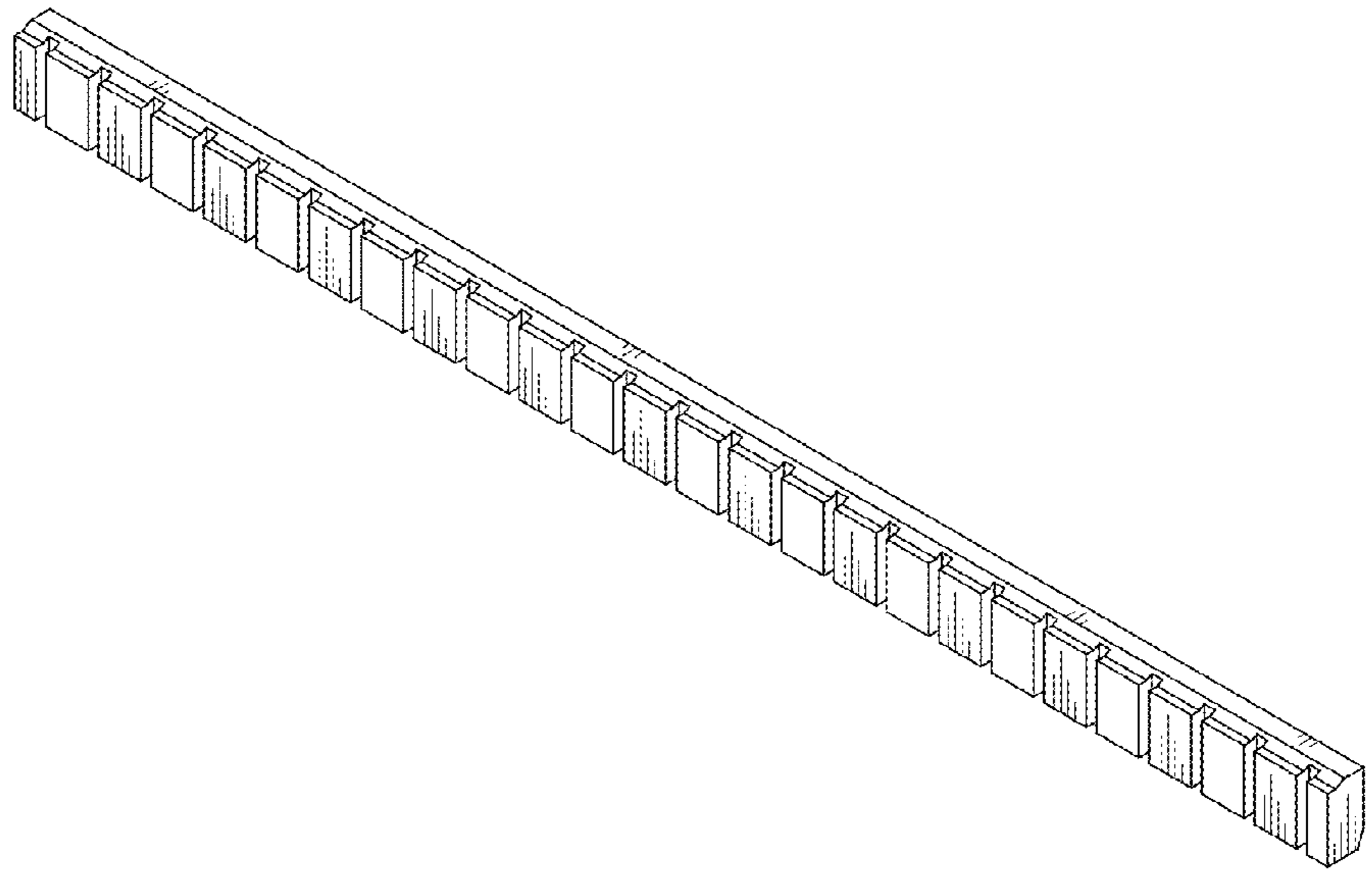
(56) **References Cited**
U.S. PATENT DOCUMENTS
D732,093 S * 6/2015 Pak D15/138
D761,338 S * 7/2016 Gariglio D15/138
D769,340 S * 10/2016 Hirata D15/138
D807,934 S * 1/2018 Abe D15/138
D809,994 S * 2/2018 Braddock, III D12/400
D825,629 S * 8/2018 Miyamoto D15/138
D832,315 S * 10/2018 Malmberg D15/138
D834,075 S * 11/2018 Kamimura D15/126
D851,140 S * 6/2019 Kamimura D15/126
D851,141 S * 6/2019 Kamimura D15/126
D851,142 S * 6/2019 Kamimura D15/126
D861,738 S * 10/2019 Vittetoe D15/28
D861,752 S * 10/2019 Boulet Gendron D15/138
D861,753 S * 10/2019 Saltzman D15/138
(Continued)

Primary Examiner — Khawaja Anwar
(74) *Attorney, Agent, or Firm* — Pearne & Gordon LLP

(57) **CLAIM**
The ornamental design for a substrate holding parts, as shown and described.

DESCRIPTION
FIG. 1 is a first perspective view of the front, top and right side of a substrate holding parts showing our new design; FIG. 2 is a second perspective view of the rear, top and right side view thereof; FIG. 3 is a front view thereof; FIG. 4 is a rear view thereof; FIG. 5 is a right side view thereof, a left side view being a mirror image thereof; FIG. 6 is a top view thereof; FIG. 7 is a bottom view thereof; FIG. 8 is a cross-sectional view along 8-8 line of FIG. 3 thereof; and, FIG. 9 is a perspective view of usage thereof. The broken lines shown are included for the purpose of illustrating the unclaimed portions of the substrate holding parts and form no part of the claimed design.

1 Claim, 5 Drawing Sheets



(56)

References Cited

U.S. PATENT DOCUMENTS

2009/0011651 A1* 1/2009 Lin H01R 12/79
439/630
2014/0042005 A1* 2/2014 Lee H01H 13/83
200/5 A

* cited by examiner

FIG. 1

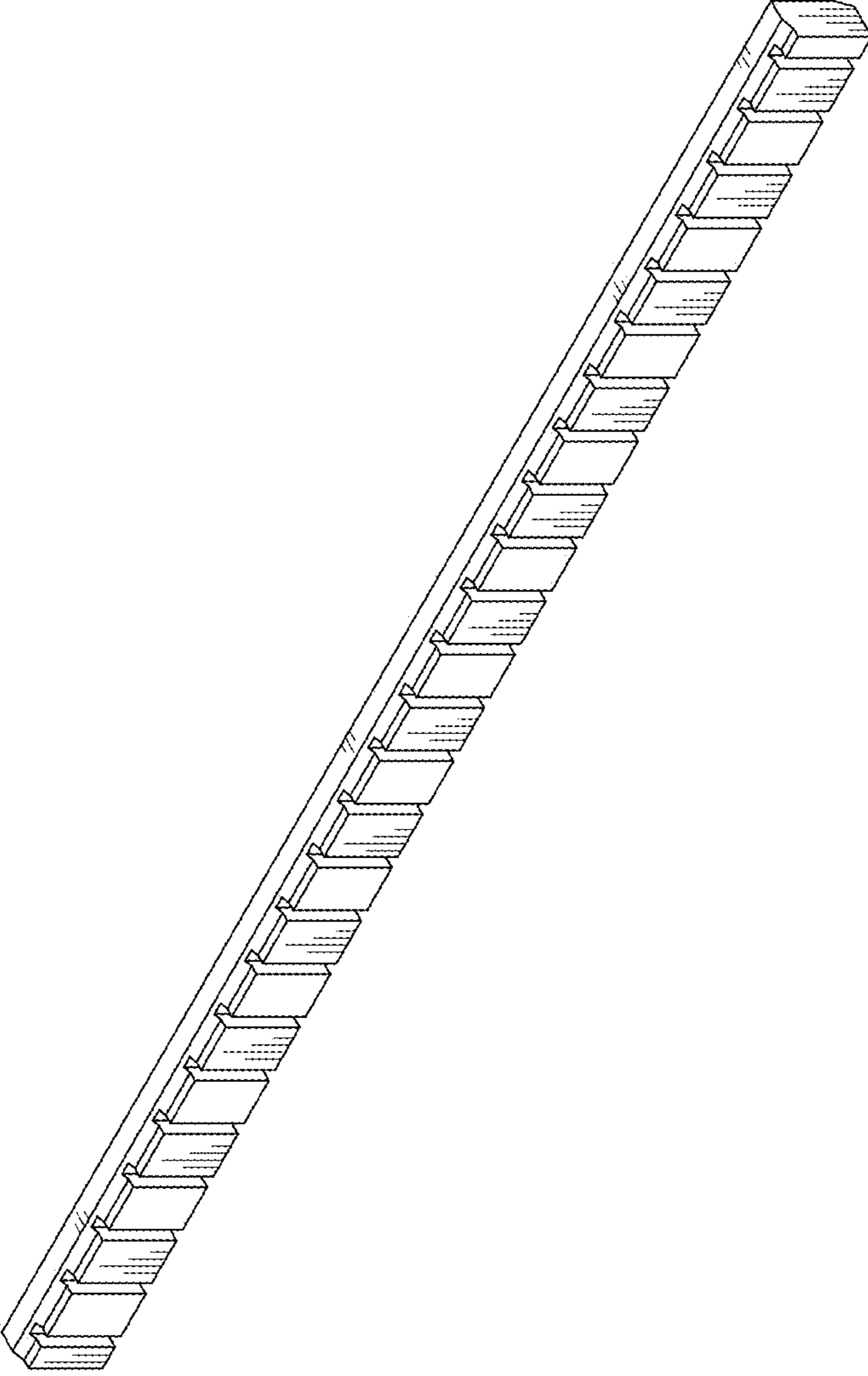


FIG. 2

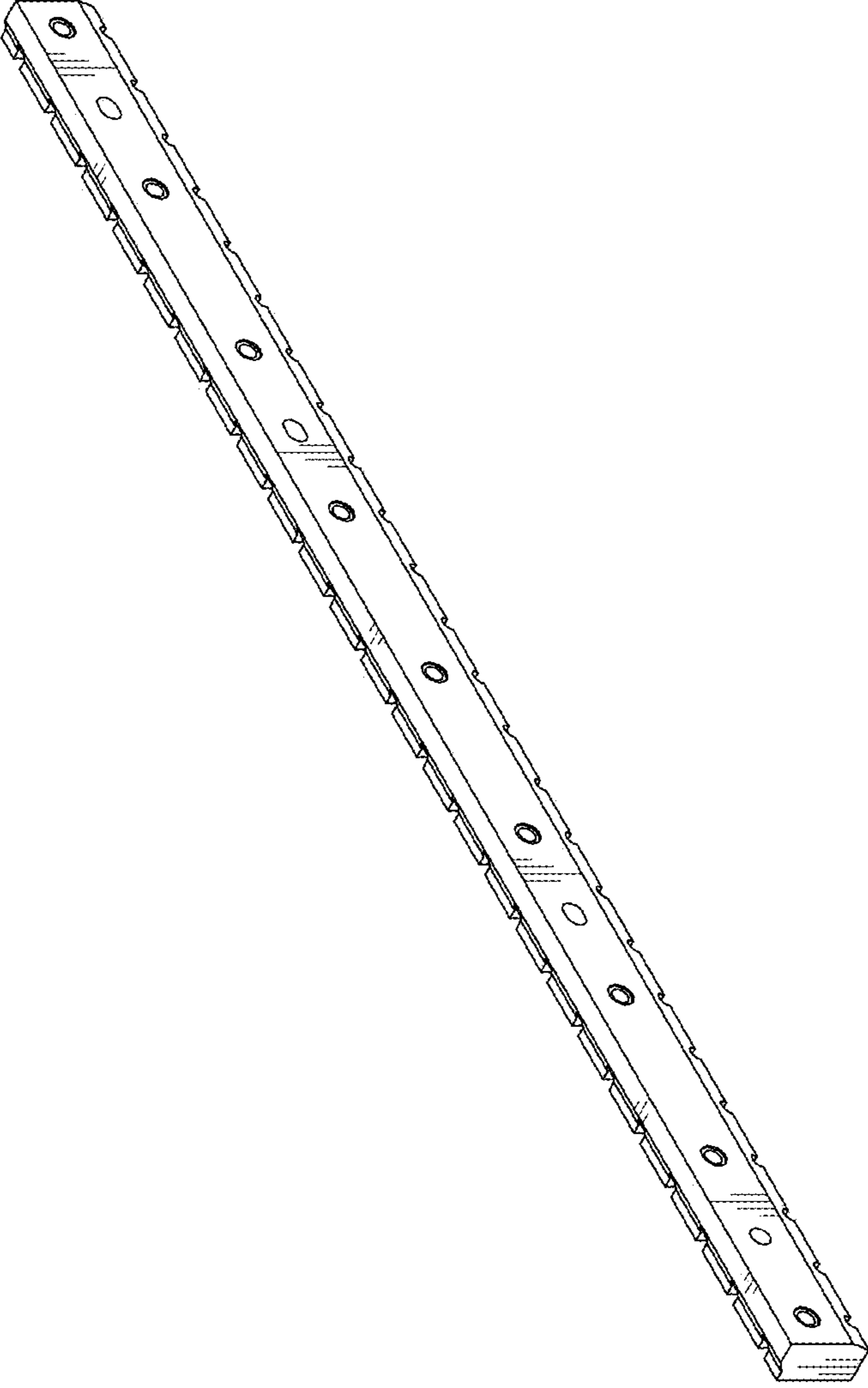


FIG. 3

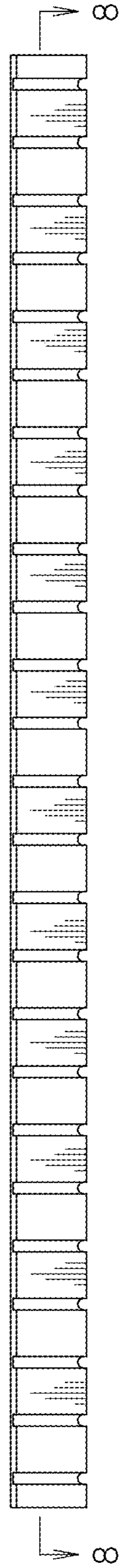


FIG. 4

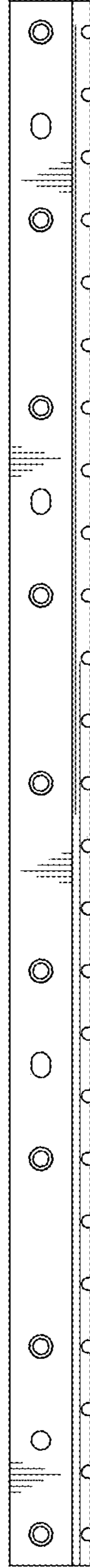


FIG. 5

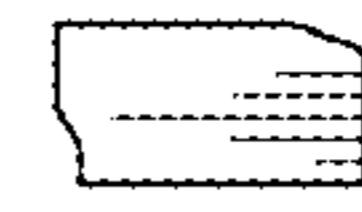


FIG. 6



FIG. 7



FIG. 8



FIG. 9

