



US00D890821S

(12) **United States Design Patent** (10) **Patent No.:** **US D890,821 S**  
**Toms et al.** (45) **Date of Patent:** **\*\* Jul. 21, 2020**

- (54) **DEVICE FOR CLEANING AN ADDITIVE MANUFACTURED COMPONENT**
- (71) Applicant: **B9CREATIONS, LLC**, Rapid City, SD (US)
- (72) Inventors: **Robert Toms**, Rapid City, SD (US);  
**Eric Henrickson**, Rapid City, SD (US);  
**Michael Joyce**, Rapid City, SD (US)
- (73) Assignee: **B9CREATIONS, LLC**, Rapid City, SD (US)
- (\*\*) Term: **15 Years**
- (21) Appl. No.: **29/677,134**
- (22) Filed: **Jan. 17, 2019**
- (51) **LOC (12) Cl.** ..... **15-09**
- (52) **U.S. Cl.**  
USPC ..... **D15/122; D7/376**
- (58) **Field of Classification Search**  
USPC ..... D7/376; D15/122, 147  
CPC ..... B01D 19/00; B01F 3/18; B01F 9/0018;  
B01F 15/02; B01F 15/0201; B01F 15/0445; B01F 15/00746; B01F 15/00805; C12H 1/16; G01G 13/02; G01G 13/18  
See application file for complete search history.

- (56) **References Cited**  
U.S. PATENT DOCUMENTS
- D171,914 S \* 4/1954 Smith ..... D7/378
- D176,819 S \* 1/1956 Rodwick ..... D7/378
- D181,541 S \* 11/1957 Madi ..... D7/378
- D186,094 S \* 9/1959 Gilson ..... D7/378
- D191,344 S \* 9/1961 Lemman ..... D7/378
- 3,174,728 A \* 3/1965 MacK ..... B01F 9/0018  
366/213
- D230,244 S \* 2/1974 Kalbfeld ..... D7/378
- D232,297 S \* 8/1974 Mantelet ..... D7/378

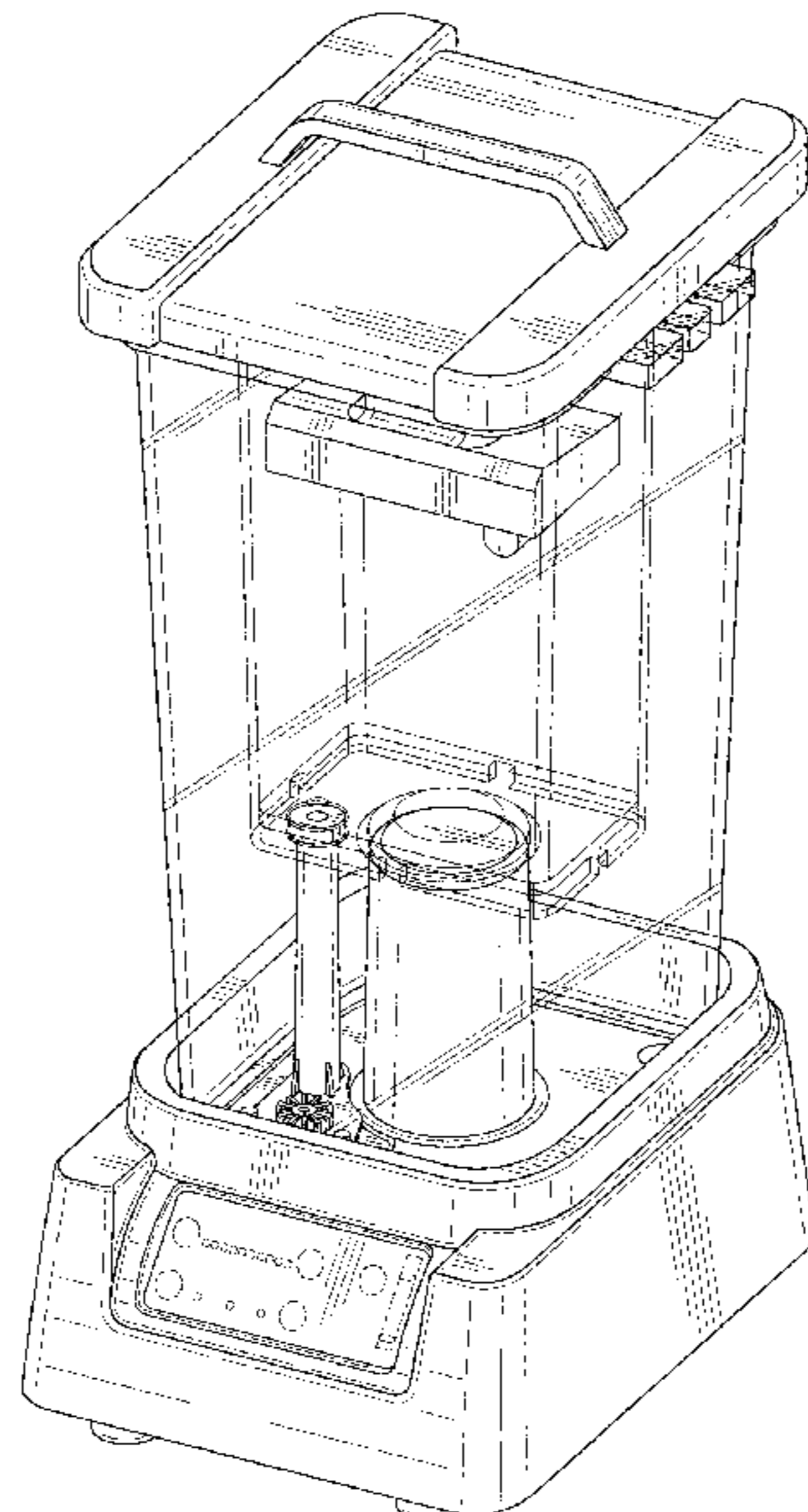
- D410,816 S \* 6/1999 Crescenzi ..... D7/384
- 6,024,780 A \* 2/2000 Haselden, Jr. .... B01D 19/00  
73/863.21
- D525,481 S \* 7/2006 Kassenaar ..... D7/378
- D538,595 S \* 3/2007 White ..... D7/413
- D637,862 S \* 5/2011 Fouquet ..... D7/376
- D647,367 S \* 10/2011 Audette ..... D7/376
- D734,979 S \* 7/2015 Sanguinetti ..... D7/376
- D742,172 S \* 11/2015 Dickson, Jr. .... D7/376
- D798,101 S \* 9/2017 Rose ..... D7/376
- D807,414 S \* 1/2018 Maguire ..... D15/135
- D808,719 S \* 1/2018 Coakley ..... D7/413
- D811,167 S \* 2/2018 Smith ..... D7/413
- D846,338 S \* 4/2019 Smith ..... D7/378
- D846,339 S \* 4/2019 Smith ..... D7/378
- 2011/0286299 A1\* 11/2011 Bongratz ..... B01F 15/0276  
366/132
- 2012/0188841 A1\* 7/2012 Byrne ..... B01F 7/161  
366/142
- 2017/0297830 A1\* 10/2017 Donohoo ..... B65G 65/40

*Primary Examiner* — Patricia A Palasik  
(74) *Attorney, Agent, or Firm* — Terry M. Sanks, Esq.;  
Beusse Wolter Sanks & Maire, PLLC

(57) **CLAIM**  
The ornamental design of a device for cleaning an additive manufactured component, as shown and described.

**DESCRIPTION**  
FIG. 1 is a front perspective view of the device for cleaning an additive manufactured component;  
FIG. 2 is a front view thereof;  
FIG. 3 is a back view thereof;  
FIG. 4 is a right side view thereof;  
FIG. 5 is a left side view thereof;  
FIG. 6 is a top view thereof; and,  
FIG. 7 is a bottom view thereof.  
The broken lines shown represent unclaimed subject matter and form no part of the claimed design.

**1 Claim, 6 Drawing Sheets**



(56)

**References Cited**

U.S. PATENT DOCUMENTS

2018/0117547 A1\* 5/2018 Gericke ..... B01F 7/00091  
2018/0140139 A1\* 5/2018 Cartei ..... A47J 43/046  
2018/0206677 A1\* 7/2018 Ivarsson ..... A47J 43/0716  
2019/0358599 A1\* 11/2019 Pieperit ..... B01F 9/025

\* cited by examiner

FIG. 1

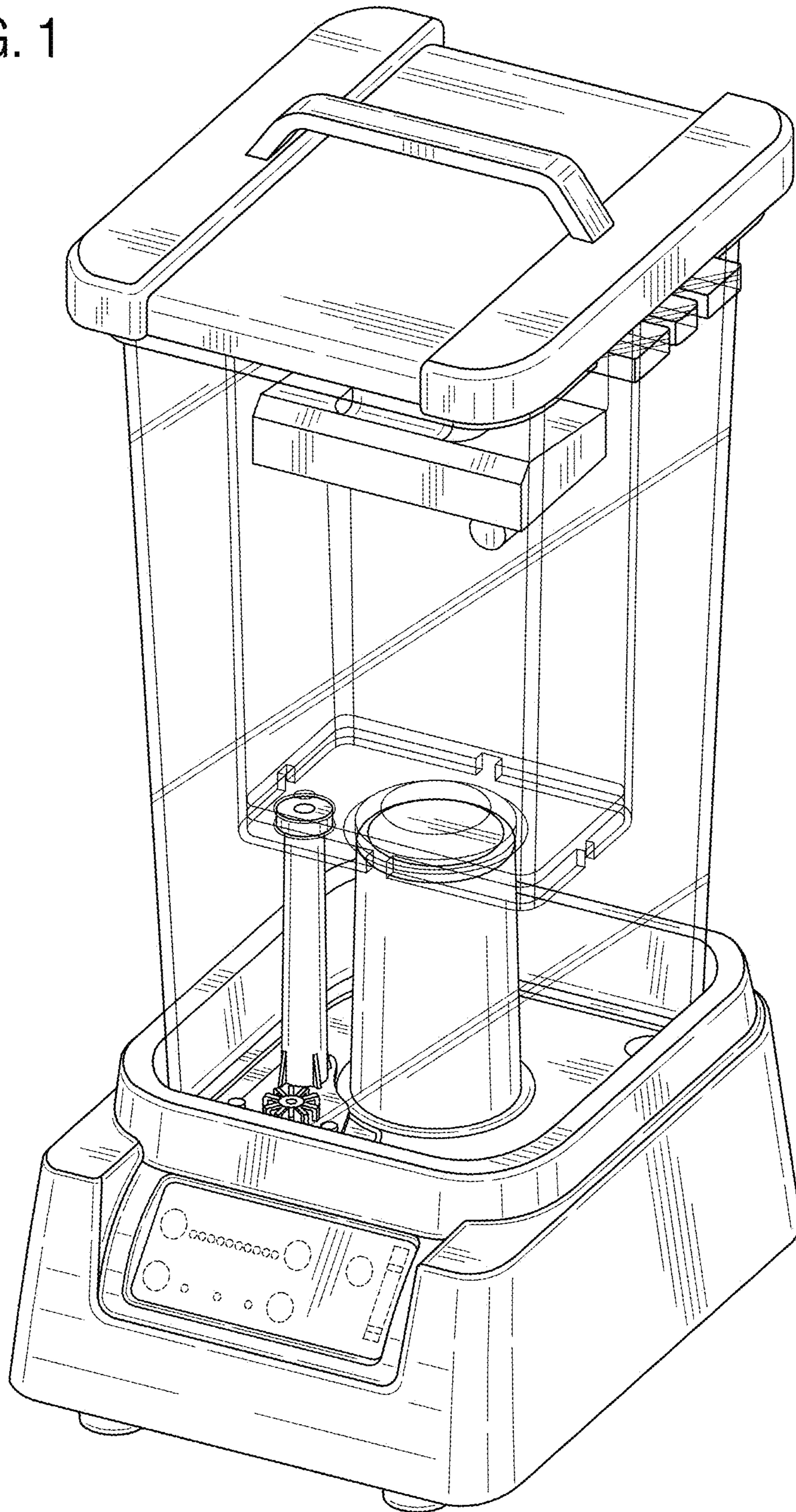


FIG. 2

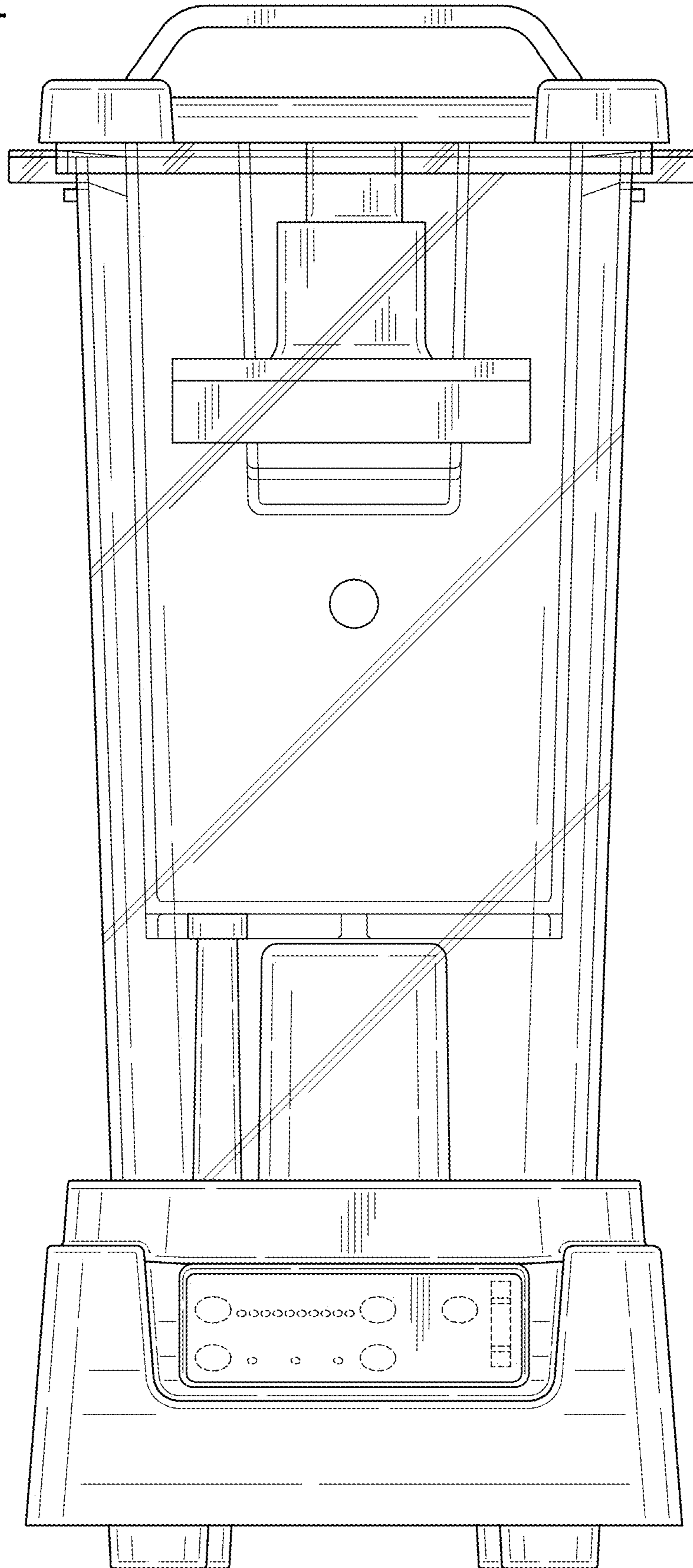


FIG. 3

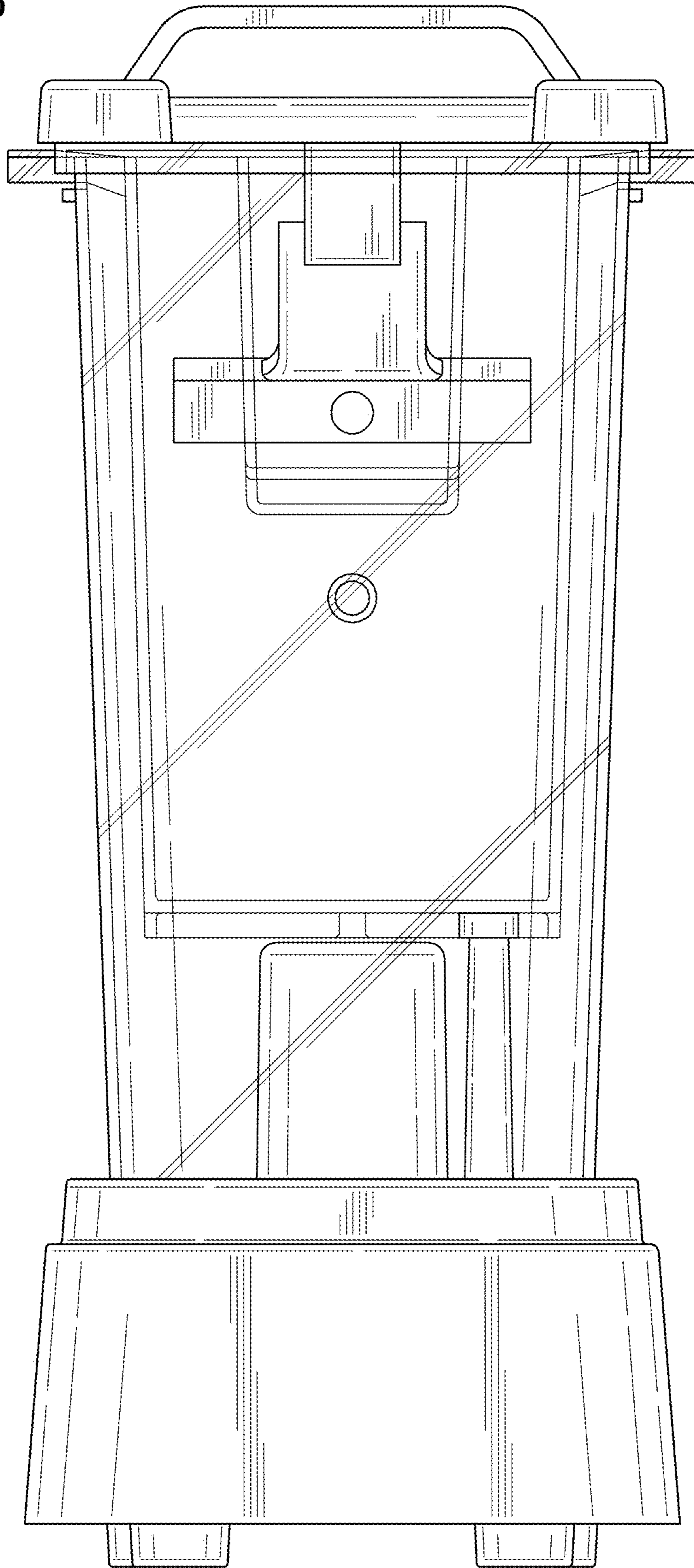


FIG. 4

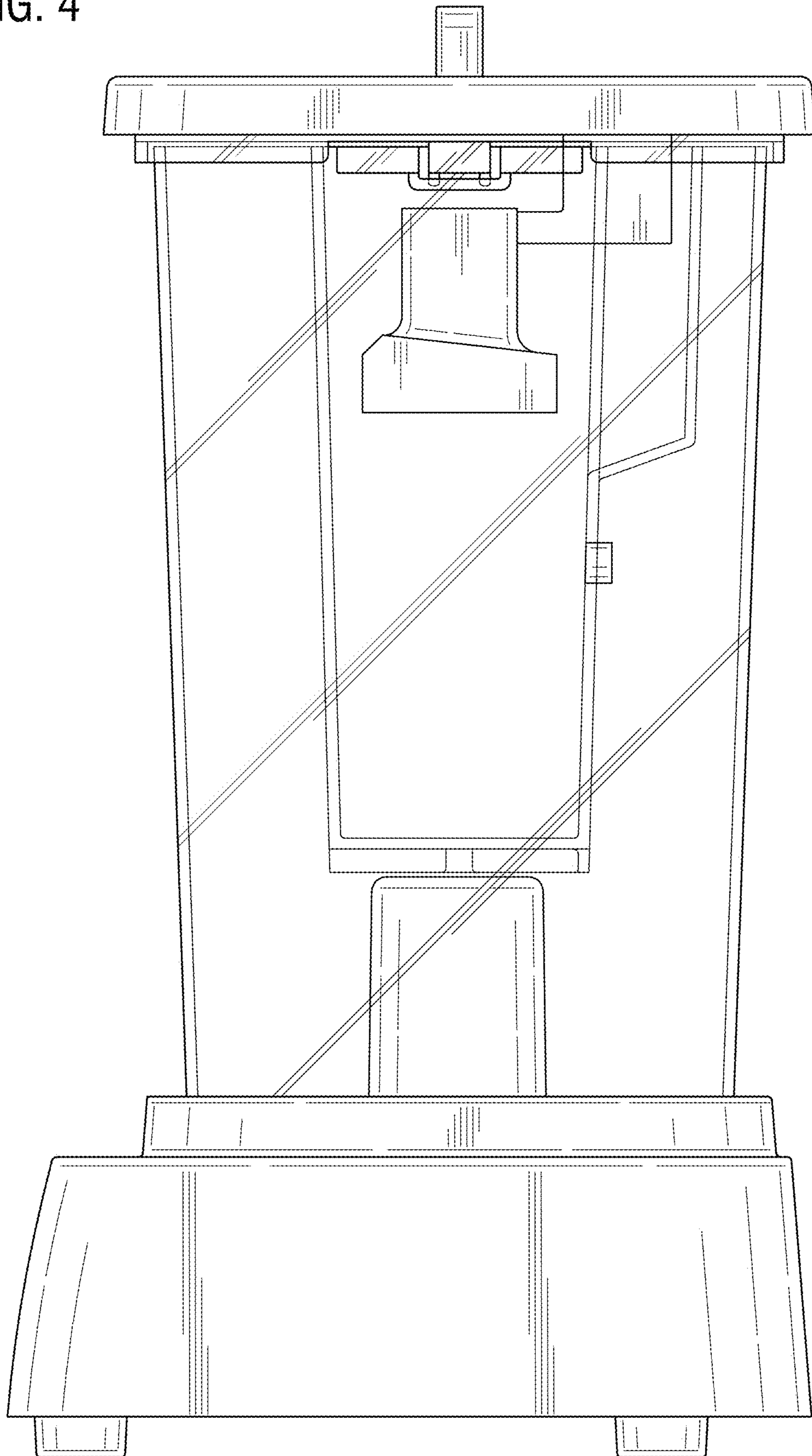


FIG. 5

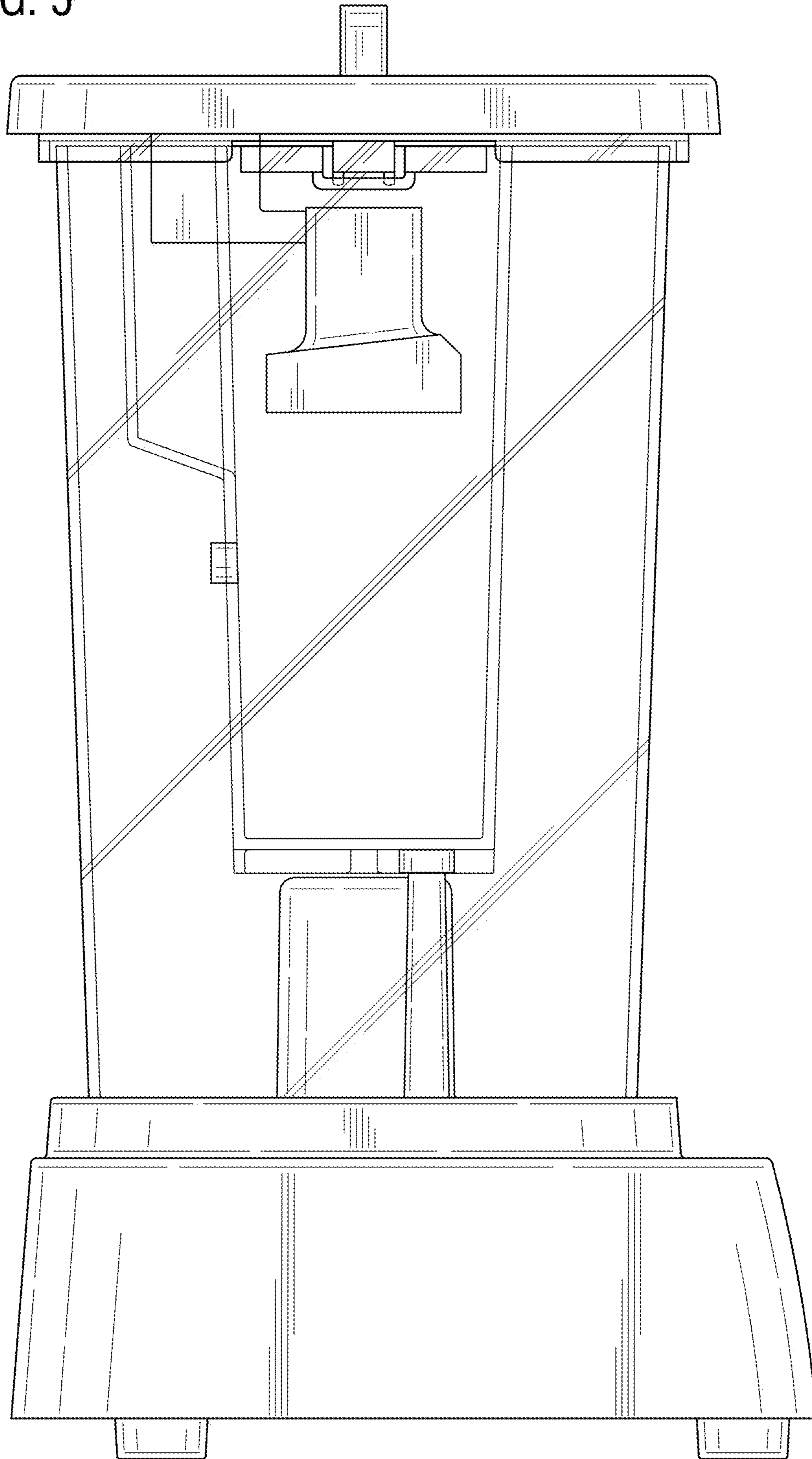


FIG. 7

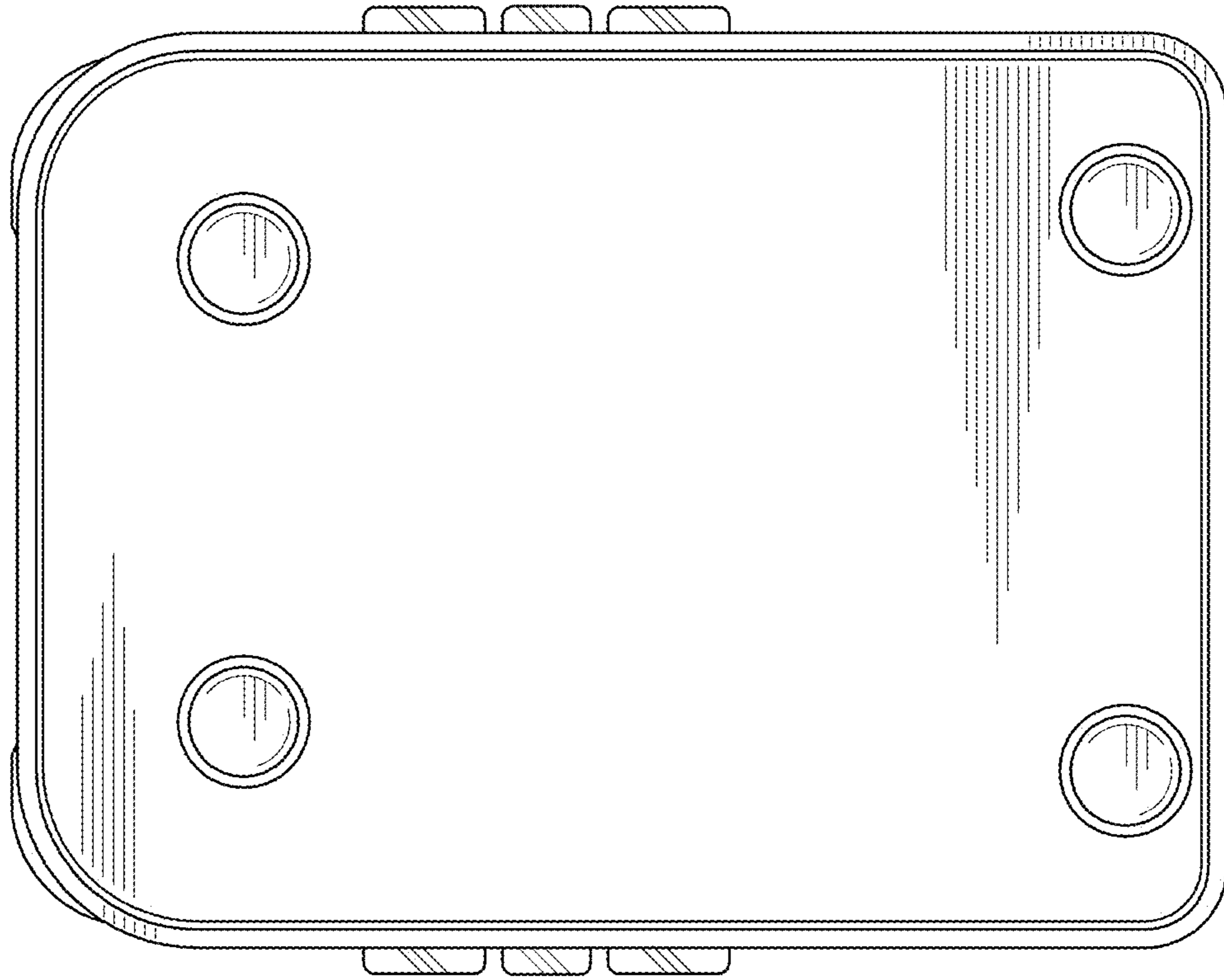


FIG. 6

