



US00D890817S

(12) **United States Design Patent**  
**Kil**

(10) **Patent No.:** **US D890,817 S**

(45) **Date of Patent:** **\*\* Jul. 21, 2020**

(54) **SEWING MACHINE**

(71) Applicant: **BROTHER INDUSTRIES, LTD.**,  
Nagoya-shi, Aichi-ken (JP)

(72) Inventor: **Jihoon Kil**, Nagoya (JP)

(73) Assignee: **BROTHER INDUSTRIES, LTD.**,  
Nagoya (JP)

(\*\*) Term: **15 Years**

(21) Appl. No.: **29/684,476**

(22) Filed: **Mar. 21, 2019**

(51) **LOC (12) Cl.** ..... **15-03**

(52) **U.S. Cl.**  
USPC ..... **D15/69**

(58) **Field of Classification Search**  
USPC ..... D15/66-78  
CPC ..... D05B 1/00-25/00  
See application file for complete search history.

(56) **References Cited**

**U.S. PATENT DOCUMENTS**

D285,571 S *	9/1986	Eguchi .....	D15/69
D291,999 S *	9/1987	Yoneda .....	D15/69
4,966,089 A *	10/1990	Hanyu .....	D05B 73/00 112/258
D321,353 S *	11/1991	Eguchi .....	D15/69
D430,886 S *	9/2000	Yamamoto .....	D15/69
D450,720 S *	11/2001	Kuroki .....	D15/69
D459,369 S *	6/2002	Yamamoto .....	D15/69
D504,444 S *	4/2005	Kuroki .....	D15/69
D506,478 S *	6/2005	Kuroki .....	D15/69
D515,108 S *	2/2006	Kawaguchi .....	D15/69
D516,589 S *	3/2006	Katsuyama .....	D15/69

D520,027 S *	5/2006	Kuroki .....	D15/69
D523,030 S *	6/2006	Muto .....	D15/69
D591,312 S *	4/2009	Mori .....	D15/69
D629,020 S *	12/2010	Hattori .....	D15/69
D664,161 S *	7/2012	Asano .....	D15/69
D679,297 S *	4/2013	Asano .....	D15/69
D695,322 S *	12/2013	Ormaechea .....	D15/69
D696,304 S *	12/2013	Ormaechea .....	D15/69
D724,110 S *	3/2015	Asano .....	D15/69
D724,111 S *	3/2015	Asano .....	D15/69
D760,816 S *	7/2016	Asano .....	D15/69
D765,149 S *	8/2016	Yamamoto .....	D15/69
D765,150 S *	8/2016	Asano .....	D15/69
D765,742 S *	9/2016	Asano .....	D15/69
D769,337 S *	10/2016	Asano .....	D15/69
D783,687 S *	4/2017	Asano .....	D15/69
D817,365 S *	5/2018	Kil .....	D15/69

\* cited by examiner

*Primary Examiner* — Mitchell I. Siegel

(74) *Attorney, Agent, or Firm* — Oliff PLC

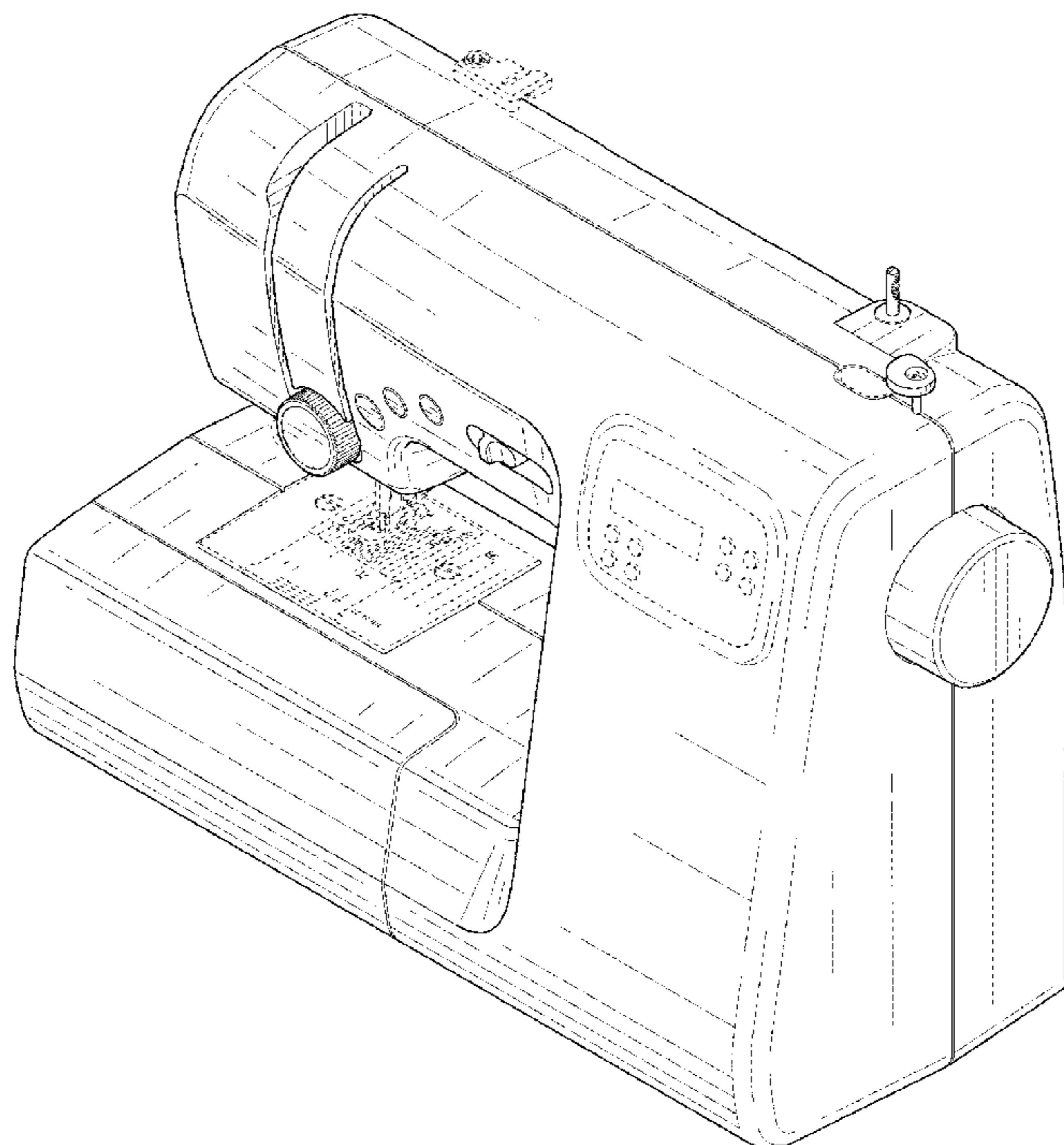
(57) **CLAIM**

The ornamental design for a sewing machine, as shown and described.

**DESCRIPTION**

FIG. 1 is a perspective view of the sewing machine; FIG. 2 is a front elevational view thereof; FIG. 3 is a top plan view thereof; FIG. 4 is a left-side elevational view thereof; FIG. 5 is a right-side elevational view thereof; FIG. 6 is a rear elevational view thereof; and, FIG. 7 is a bottom plan view thereof. The evenly spaced broken lines depict unclaimed parts of the sewing machine and form no part of the claimed design.

**1 Claim, 6 Drawing Sheets**



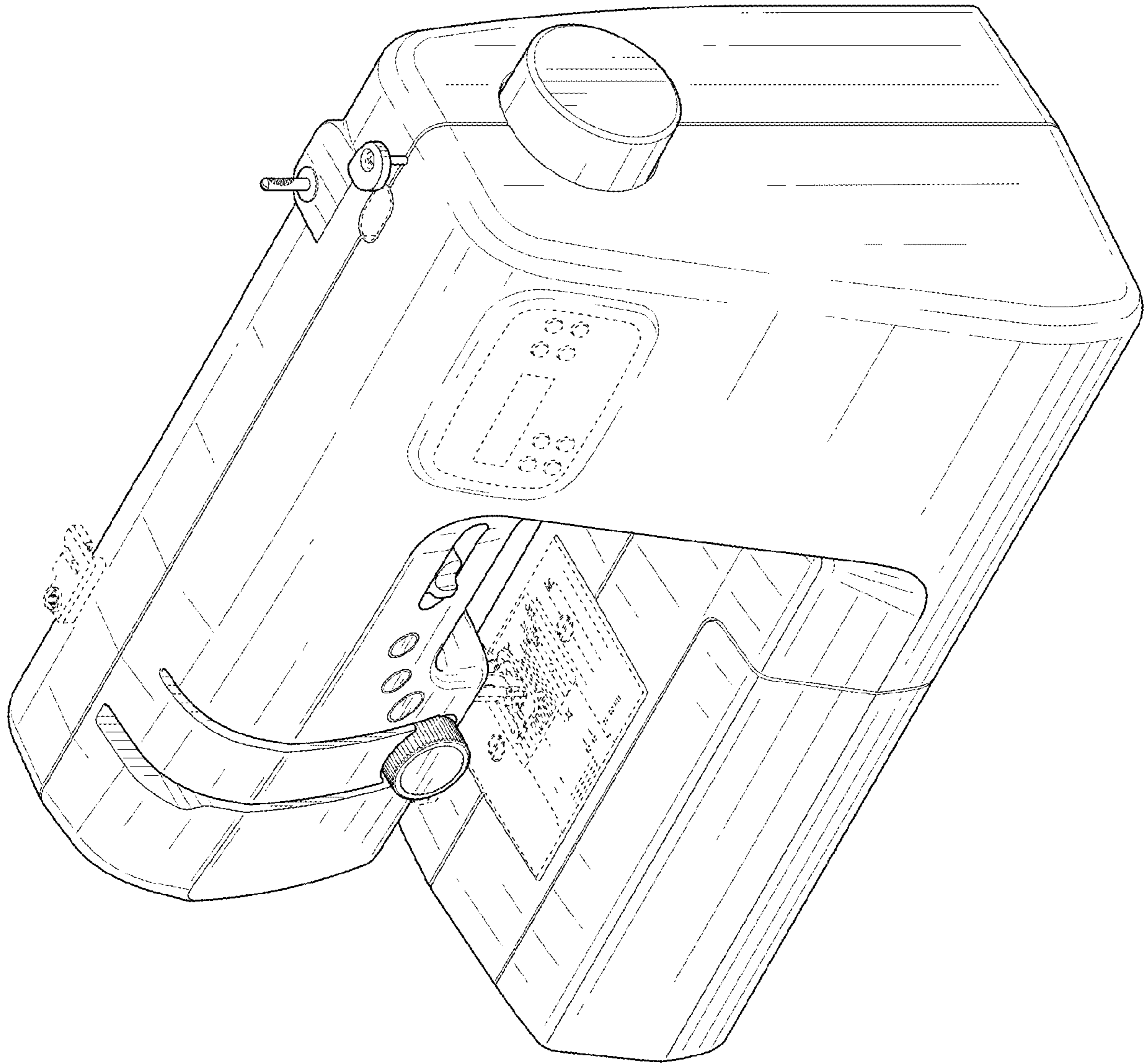


FIG. 1

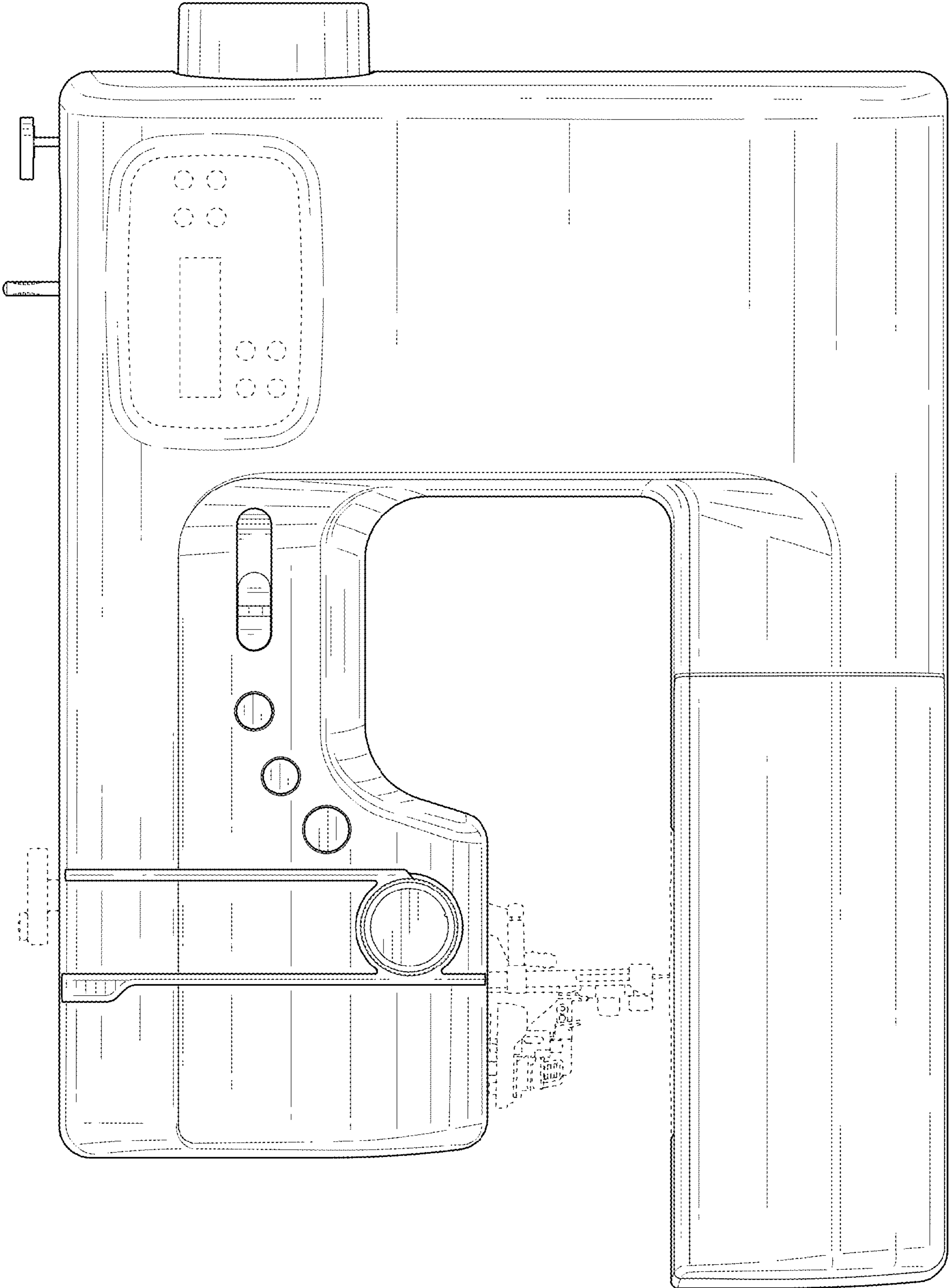


FIG. 2

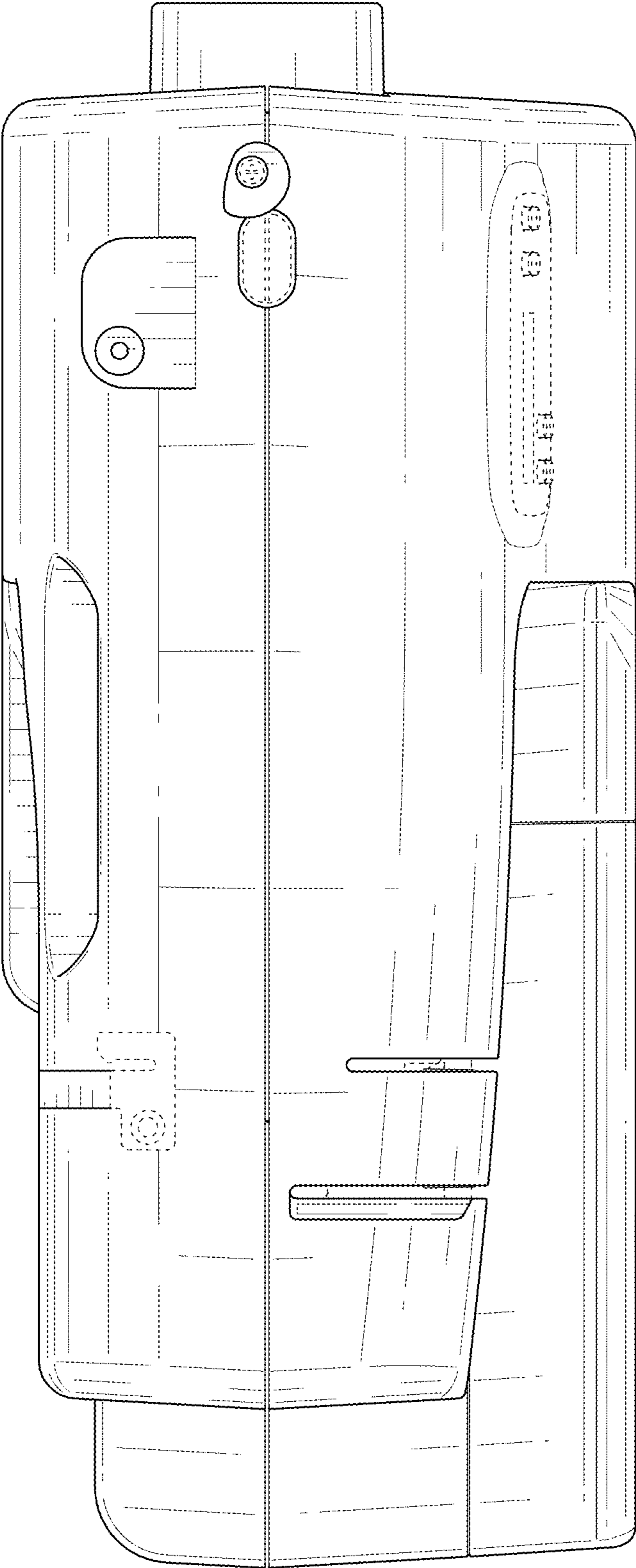


FIG. 3

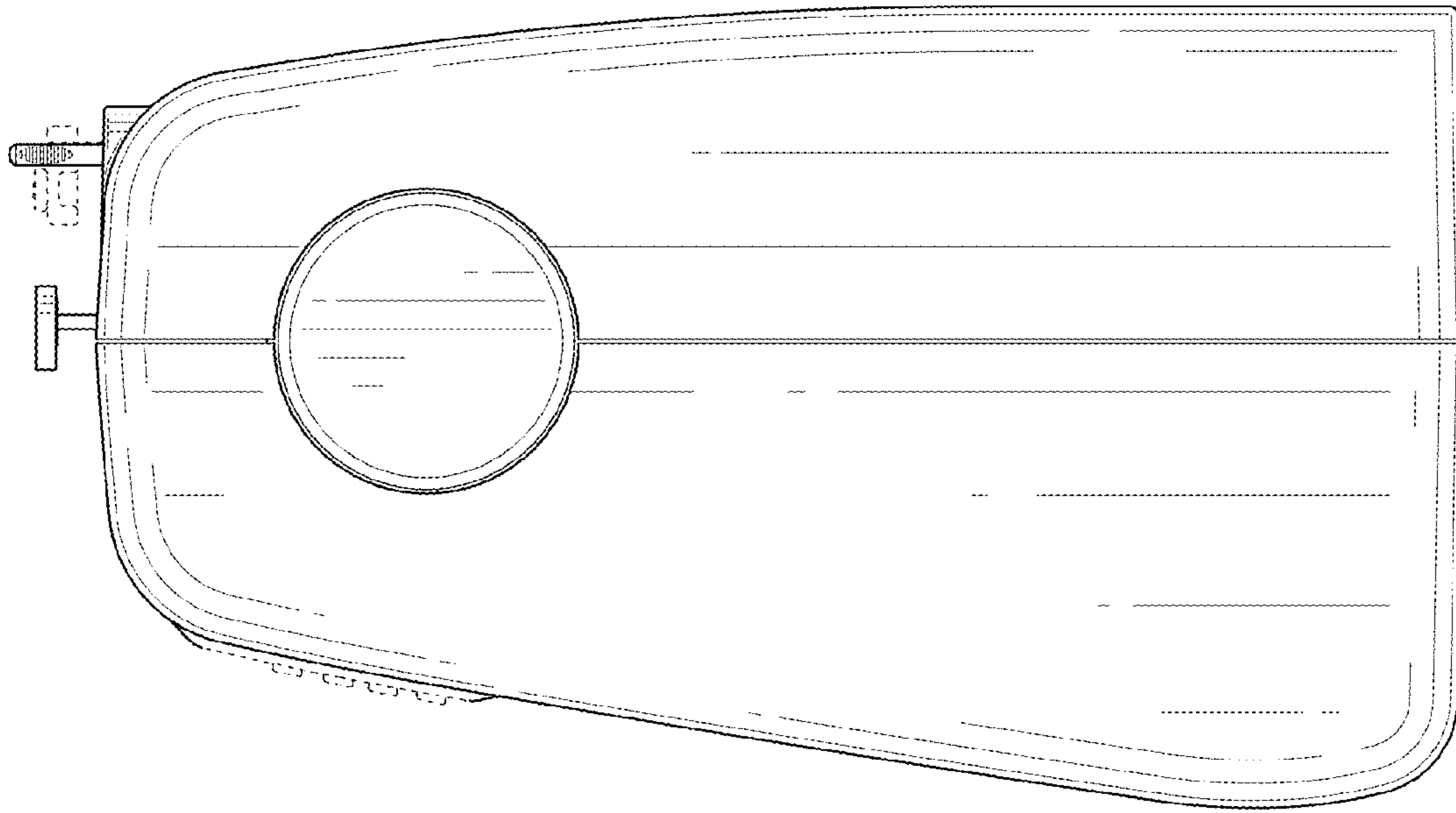


FIG. 5

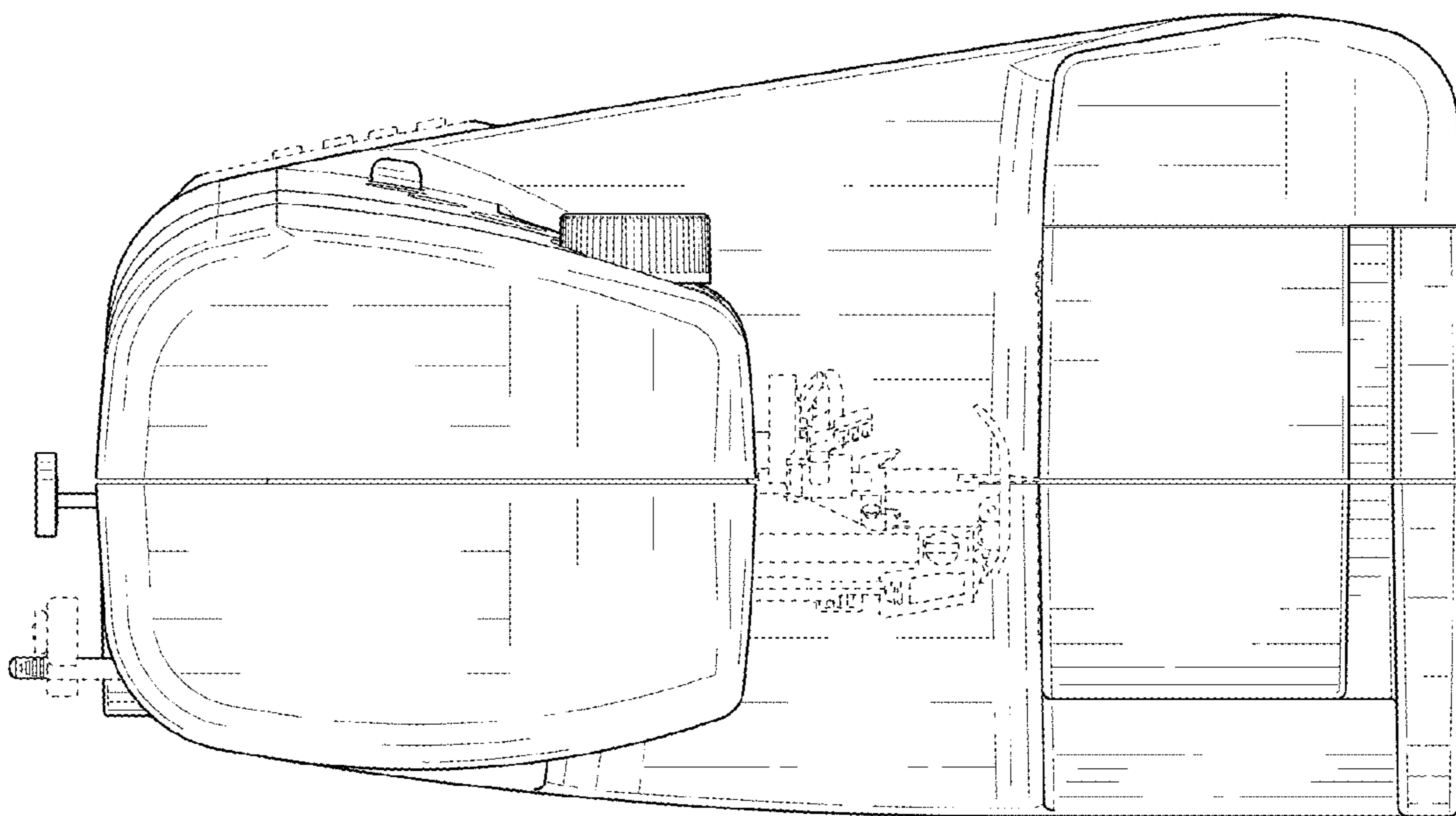


FIG. 4

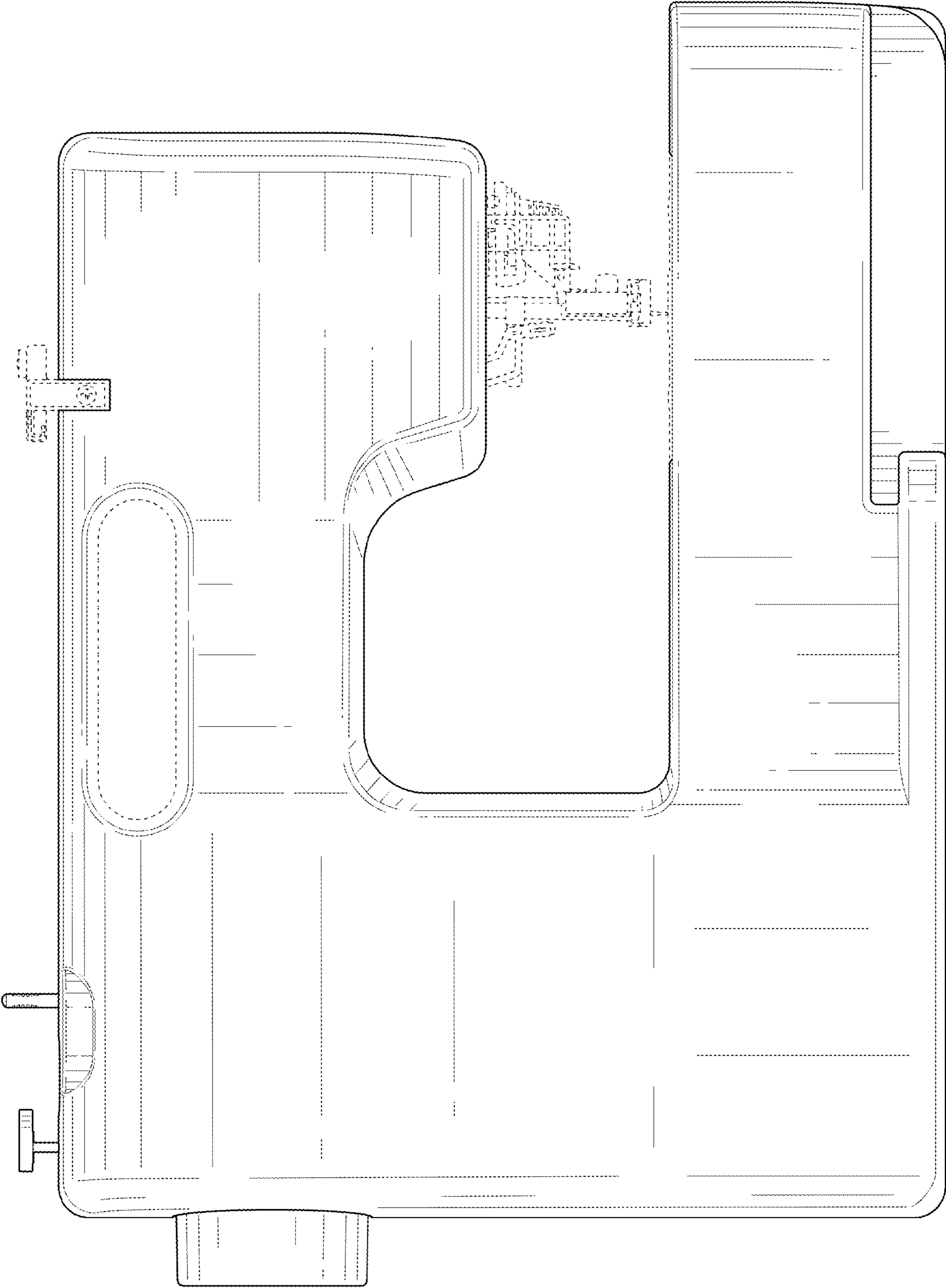


FIG. 6

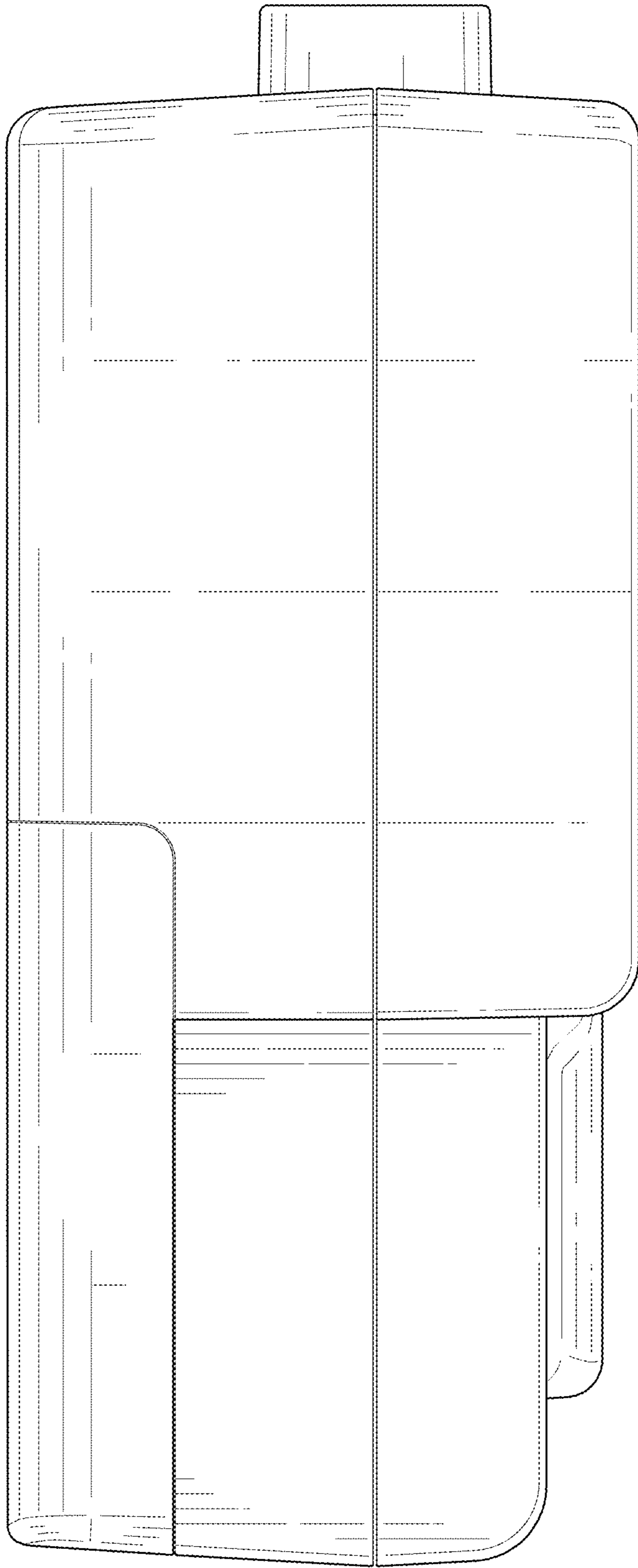


FIG. 7