



US00D890815S

(12) **United States Design Patent** (10) **Patent No.:** **US D890,815 S**  
**Hughes et al.** (45) **Date of Patent:** **\*\* Jul. 21, 2020**

(54) **PUMP**

FOREIGN PATENT DOCUMENTS

(71) Applicant: **Enerpac Tool Group Corp.**,  
Menomonee Falls, WI (US)

CN 201836150 5/2011  
CN 101900153 7/2012

(Continued)

(72) Inventors: **Nathan Adam Hughes**, Cottage Grove,  
WI (US); **John P. Van Roy**, Madison,  
WI (US)

OTHER PUBLICATIONS

(73) Assignee: **Enerpac Tool Group Corp.**,  
Menomonee Falls, WI (US)

PCT Notification with Search Report for related Application No.  
PCT/US2018/033060 dated Jul. 24, 2018 (14 pages).

(\*\*) Term: **15 Years**

*Primary Examiner* — Khawaja Anwar

(21) Appl. No.: **29/626,398**

(74) *Attorney, Agent, or Firm* — Michael Best &  
Friedrich LLP

(22) Filed: **Nov. 16, 2017**

(57) **CLAIM**

**Related U.S. Application Data**

We claim the ornamental design for a pump, as shown and  
described.

(63) Continuation-in-part of application No. 29/604,294,  
filed on May 16, 2017.

(51) **LOC (12) Cl.** ..... **15-03**

(52) **U.S. Cl.**  
USPC ..... **D15/7**

**DESCRIPTION**

(58) **Field of Classification Search**  
USPC ..... D15/7-9; D23/225, 231, 232  
CPC ..... F02M 37/04; F02M 37/14; F04B 53/92;  
F04B 1/005; F04D 13/06; F04D 29/22;  
F04D 29/046; F04D 29/2266  
See application file for complete search history.

FIG. 1 is a perspective view of a pump with a pendant  
removed.  
FIG. 2 is a right side view of the pump as shown in FIG. 1.  
FIG. 3 is a left side view of the pump as shown in FIG. 1.  
FIG. 4 is a front view of the pump as shown in FIG. 1.  
FIG. 5 is a rear view of the pump as shown in FIG. 1; and,  
FIG. 6 is a top view of the pump as shown in FIG. 1.

(56) **References Cited**

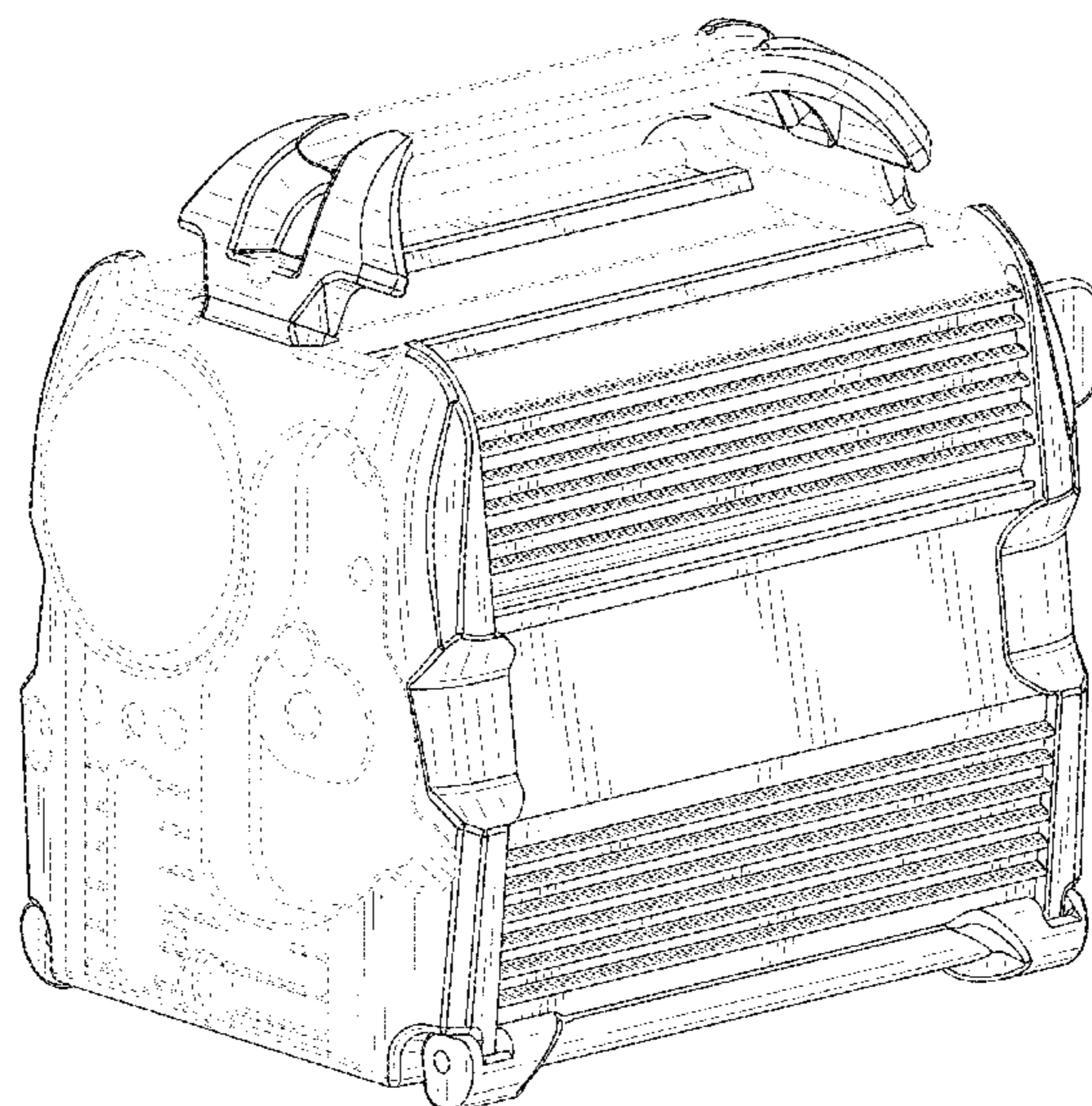
Any line in a drawing may provide a boundary line of a  
claimed design element. A boundary line of a claimed design  
element may be defined in an area between lines in a  
drawing. An element or a subset of any combination of  
elements in a drawing may form a claimed design. Any  
portion of the pump shown in broken lines is included for the  
purpose of illustrating environment and forms no part of the  
claimed design. In FIGS. 1-6, the broken lines illustrate  
portions of the pump that form no part of the claimed design.

U.S. PATENT DOCUMENTS

3,053,186 A 9/1962 Gondek  
D327,075 S 6/1992 Tiedemann  
5,181,837 A 1/1993 Niemiec  
5,261,796 A 11/1993 Niemiec et al.  
5,320,501 A 6/1994 Langosch et al.  
D447,148 S 8/2001 Antony et al.  
6,863,502 B2 3/2005 Bishop et al.

(Continued)

**1 Claim, 6 Drawing Sheets**



(56)

References Cited

U.S. PATENT DOCUMENTS

7,036,892 B2 5/2006 Suzuki et al.  
 D536,705 S 2/2007 Griffin et al.  
 D557,708 S 2/2007 Carpenter et al.  
 D573,609 S \* 7/2008 Bilger ..... D15/7  
 D604,746 S \* 11/2009 Nishido ..... D15/7  
 7,878,765 B2 2/2011 Gonnella et al.  
 7,931,448 B2 4/2011 Achor et al.  
 8,305,019 B2 11/2012 Tobari et al.  
 D707,719 S 6/2014 Kamijyo  
 D712,933 S \* 9/2014 DeOreo ..... D15/7  
 D713,860 S 9/2014 Pedrollo  
 8,997,904 B2 4/2015 Cryer et al.  
 9,115,720 B2 8/2015 Rosinski et al.  
 9,435,324 B2 9/2016 Richardson et al.  
 9,562,534 B2 2/2017 Rosinski et al.  
 9,587,639 B2 3/2017 Rosinski et al.  
 D785,679 S \* 5/2017 Hartung ..... D15/7  
 D786,939 S \* 5/2017 Nelson ..... D15/7  
 D810,145 S 2/2018 Sinico

D822,718 S 7/2018 Hartung  
 D826,282 S \* 8/2018 Mead ..... D15/7  
 D826,283 S \* 8/2018 Mead ..... D15/7  
 D838,746 S \* 1/2019 Gan ..... D15/7  
 D847,266 S 5/2019 Janardhan et al.  
 D850,490 S \* 6/2019 Janardhan ..... D15/7  
 D878,423 S \* 3/2020 Andersson ..... D15/7  
 2007/0217928 A1 9/2007 Isobe et al.  
 2010/0021313 A1 1/2010 Devan et al.  
 2013/0115108 A1 5/2013 Segal  
 2013/0315758 A1 11/2013 Olson  
 2015/0300138 A1 10/2015 Michel  
 2015/0345489 A1 12/2015 Fink  
 2016/0366824 A1 12/2016 Richardson et al.  
 2017/0107804 A1 4/2017 Krug et al.

FOREIGN PATENT DOCUMENTS

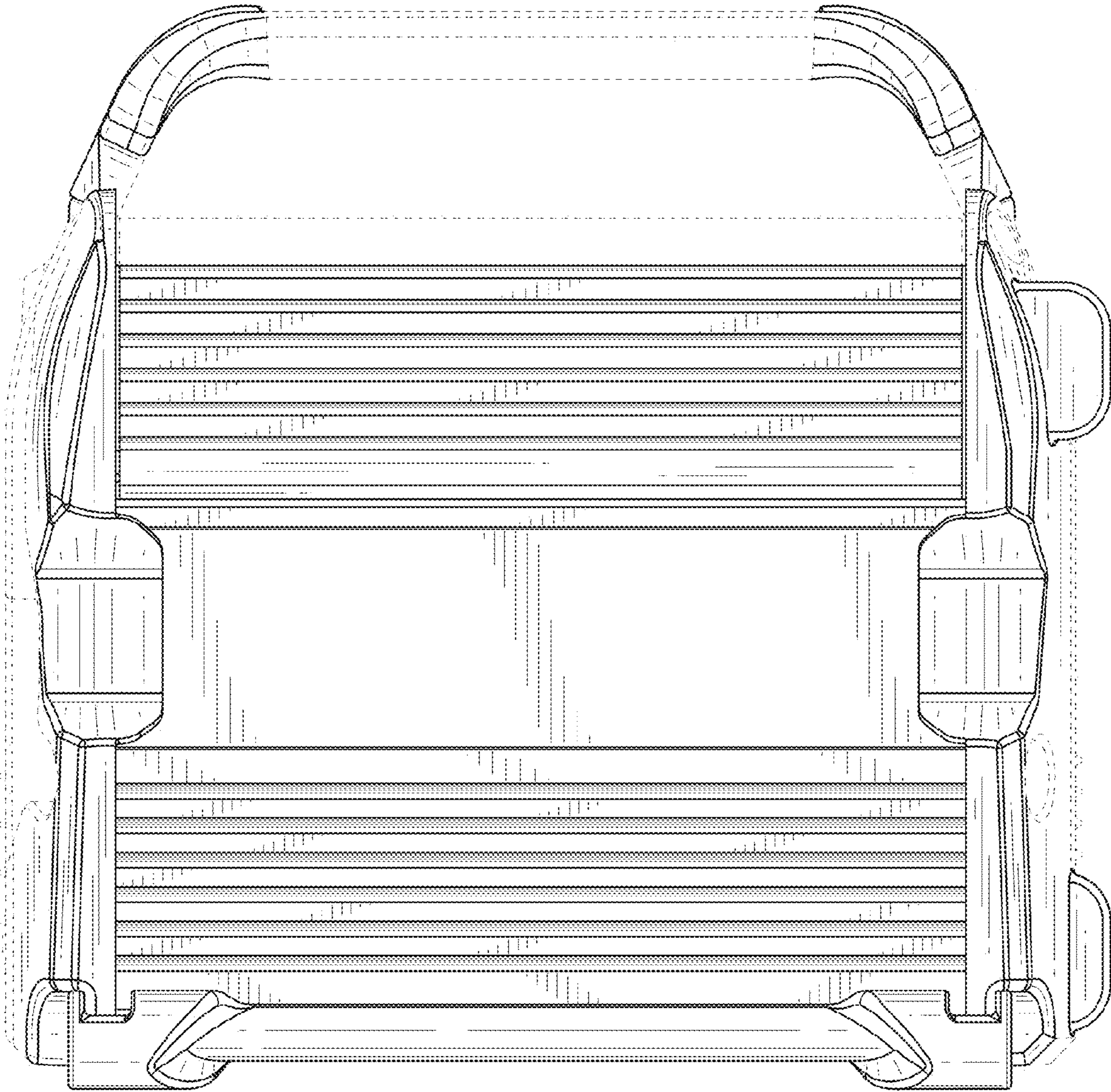
WO 9420753 9/1994  
 WO 2008029624 3/2008

\* cited by examiner





**FIG. 1**



**FIG. 2**



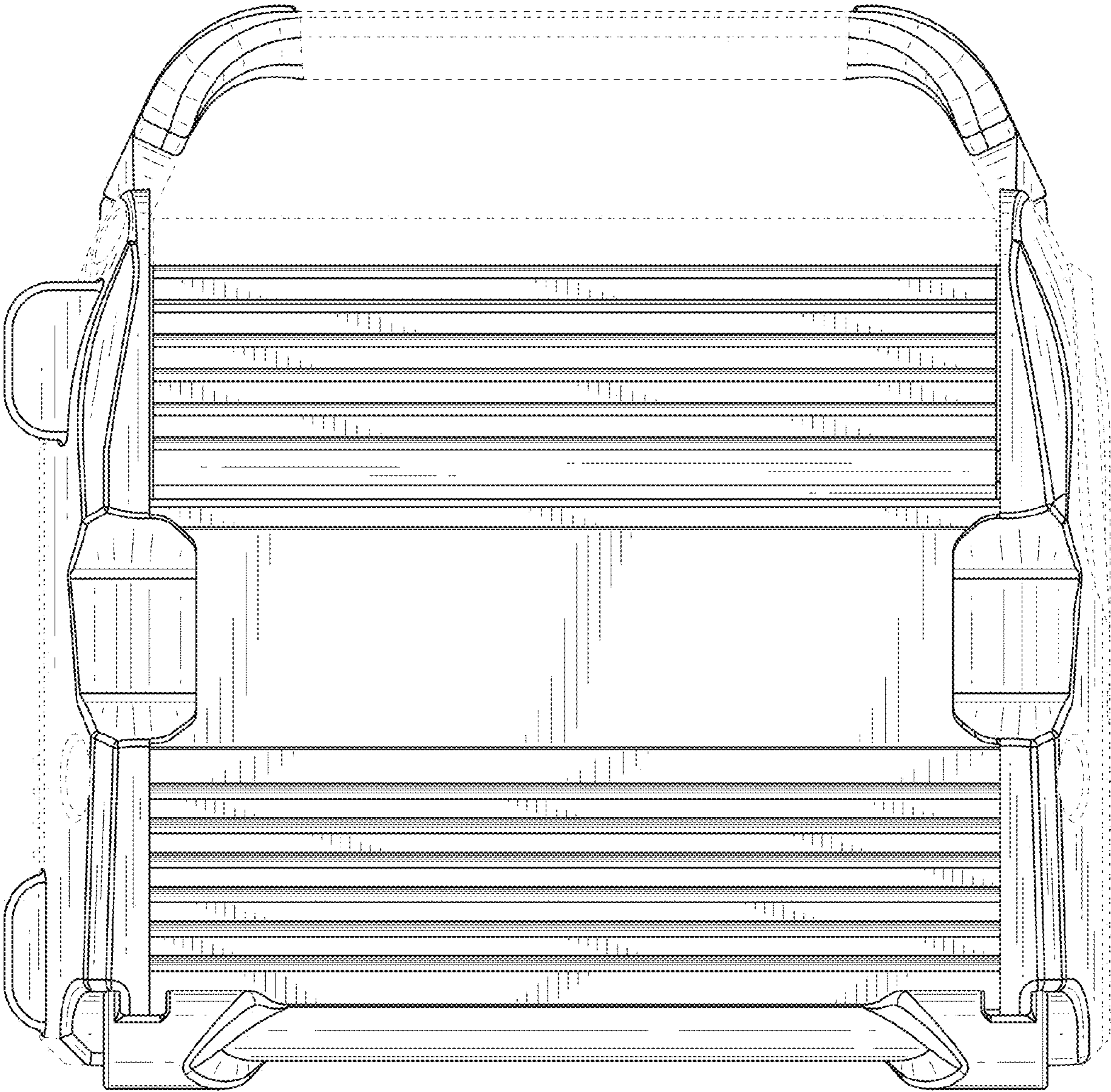
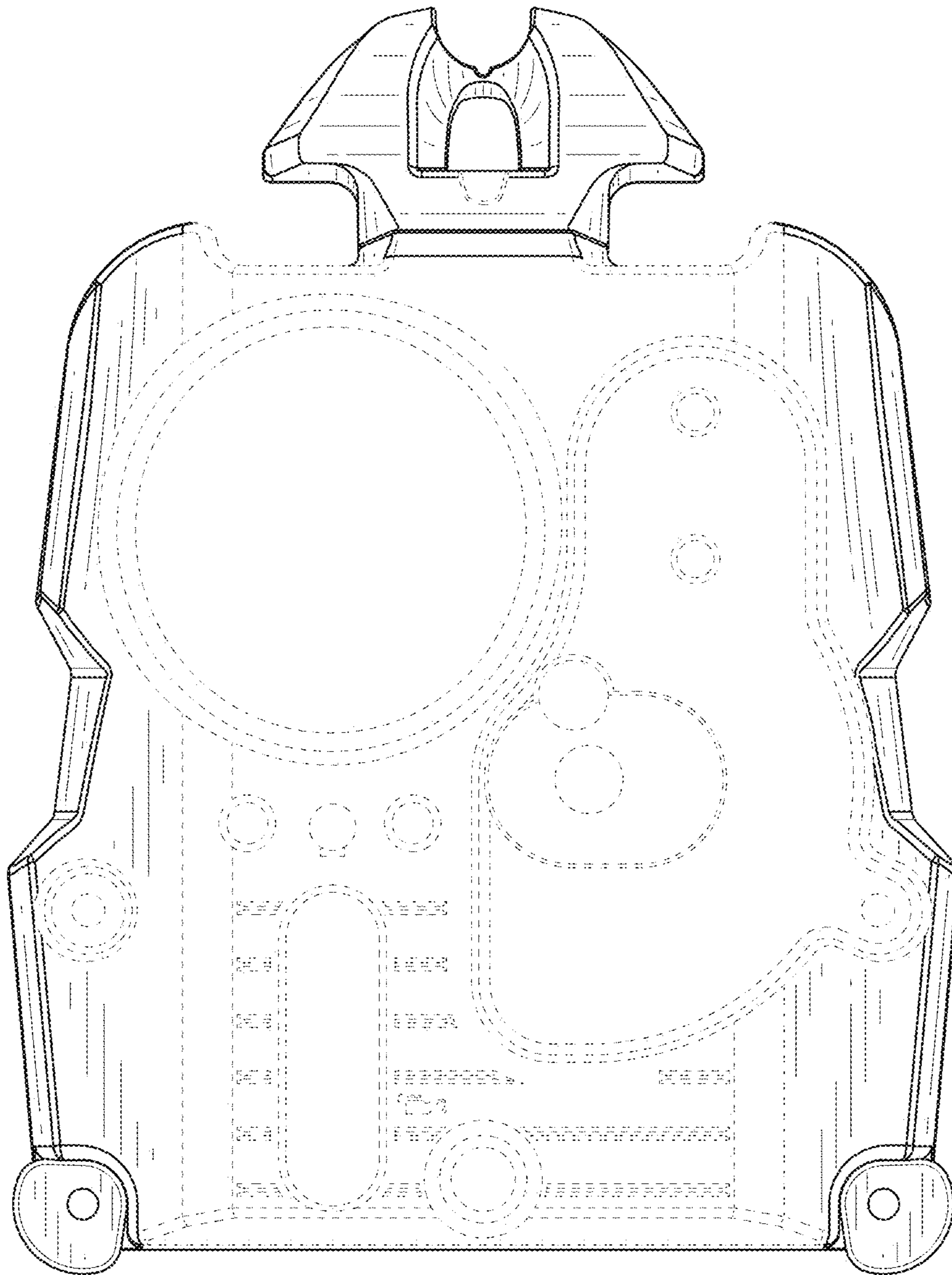
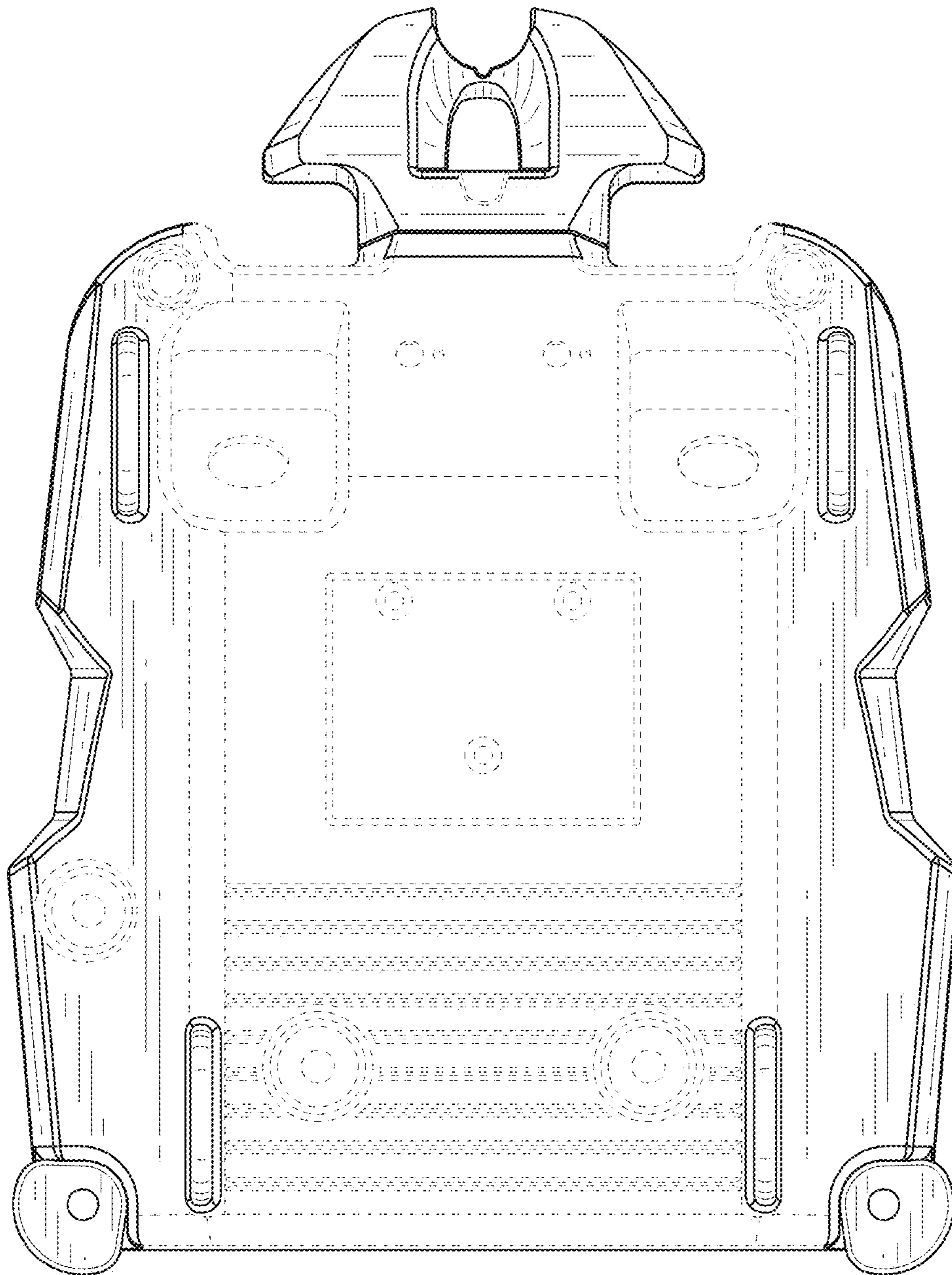


FIG. 3

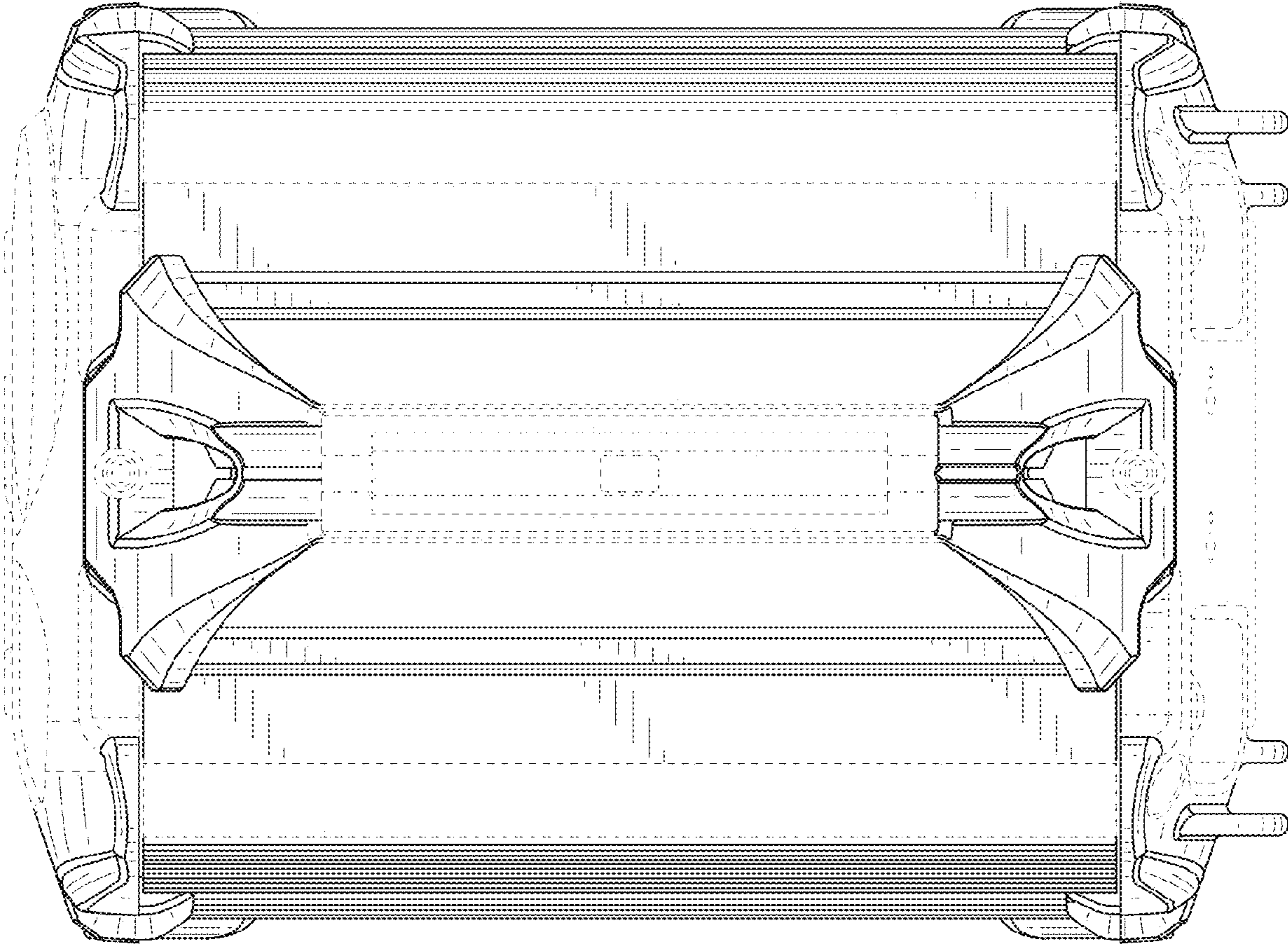


**FIG. 4**



**FIG. 5**





**FIG. 6**