



US00D890814S

(12) **United States Design Patent**  
**Armstrong**

(10) **Patent No.:** **US D890,814 S**

(45) **Date of Patent:** **\*\* Jul. 21, 2020**

(54) **CENTRIPETAL AIR/OIL SEPARATOR FOR PRESSURIZED WET SUMP OILING SYSTEMS**

(71) Applicant: **Gary Armstrong**, Loomis, CA (US)

(72) Inventor: **Gary Armstrong**, Loomis, CA (US)

(\*\*) Term: **15 Years**

(21) Appl. No.: **29/716,225**

(22) Filed: **Dec. 7, 2019**

(51) **LOC (12) Cl.** ..... **15-01**

(52) **U.S. Cl.**  
USPC ..... **D15/5**

(58) **Field of Classification Search**  
USPC ..... D15/1-7, 150  
CPC ..... B01D 35/02; F01M 13/04; F01M 2013/0422; F01M 2013/0427; F01M 2013/0438; F01M 2013/0444; B04B 5/12  
See application file for complete search history.

(56) **References Cited**

**U.S. PATENT DOCUMENTS**

D215,882 S *	11/1969	Svenson	.....	D15/7
D244,681 S *	6/1977	Bell	.....	D15/7
5,277,154 A	1/1994	McDowell		
7,445,653 B2	11/2008	Trautmann		
D679,733 S	4/2013	Armstrong		
D742,419 S	11/2015	Armstrong		
9,260,993 B1	2/2016	Mainiero		
D796,554 S	9/2017	Armstrong		

2009/0047143 A1*	2/2009	Cedrone	.....	B01D 24/4876 417/244
2015/0083649 A1*	3/2015	Rosinski	.....	B01D 35/1475 210/136
2020/0094168 A1*	3/2020	Sawafuji	.....	B01D 19/0042

\* cited by examiner

*Primary Examiner* — Ania Aman

(74) *Attorney, Agent, or Firm* — QuickPatents, LLC; Kevin Prince

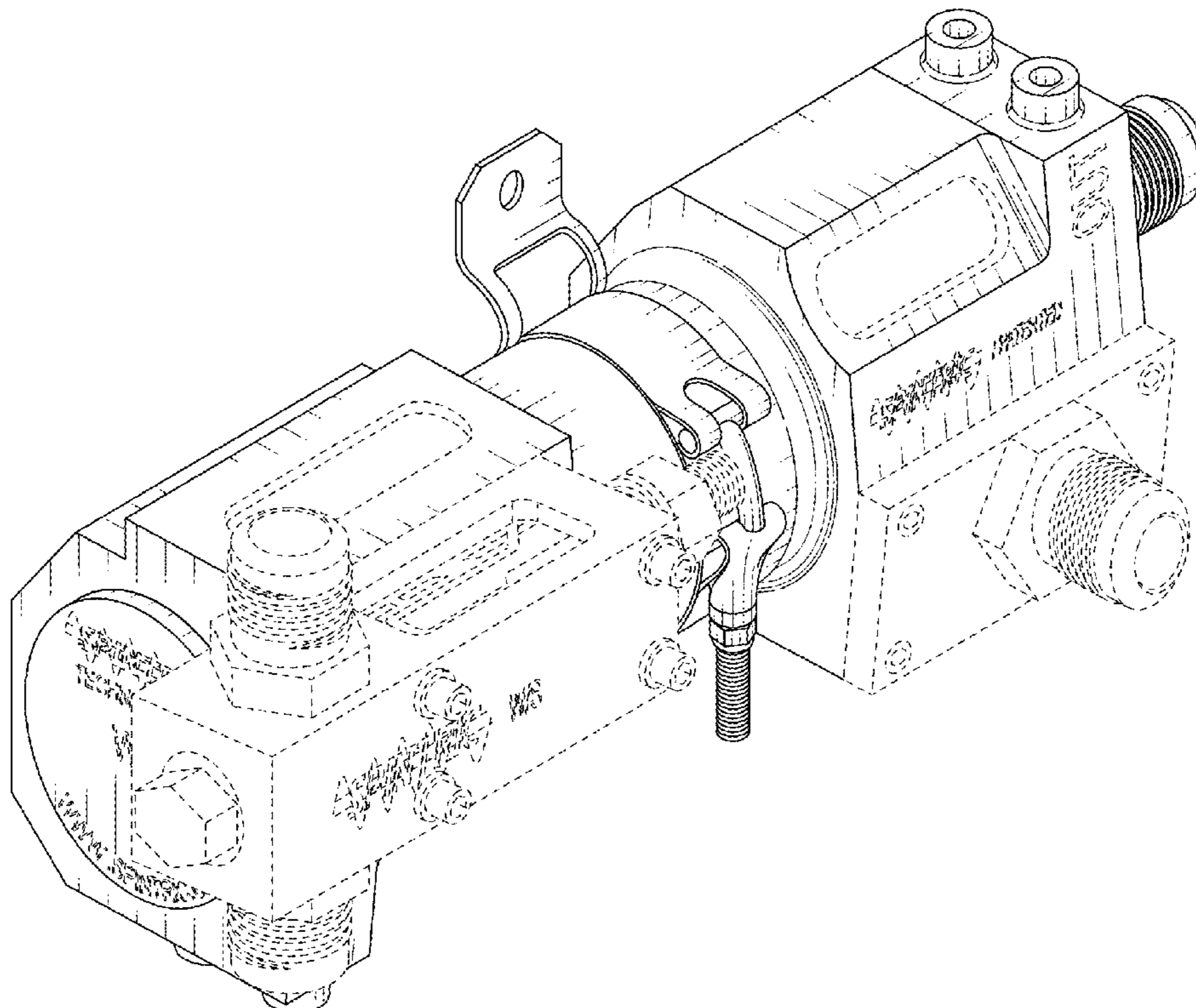
(57) **CLAIM**

The ornamental design for a centripetal air/oil separator for pressurized wet sump oiling systems, as shown and described.

**DESCRIPTION**

FIG. 1 is a perspective view of a centripetal air/oil separator for pressurized wet sump oiling systems, showing my new design in an assembled configuration; FIG. 2 is a front elevational view thereof; FIG. 3 is a rear elevational view thereof; FIG. 4 is a left-side elevational view thereof; FIG. 5 is a right-side elevational view thereof; FIG. 6 is a top plan view thereof; FIG. 7 is a bottom plan view thereof; FIG. 8 is a perspective view thereof, illustrated with two port attachment blocks omitted for clarity of illustration; and, FIG. 9 is an exploded perspective view of FIG. 8. The broken lines shown in the drawings are for the purpose of illustrating portions of the article that form no part of the claimed design.

**1 Claim, 8 Drawing Sheets**



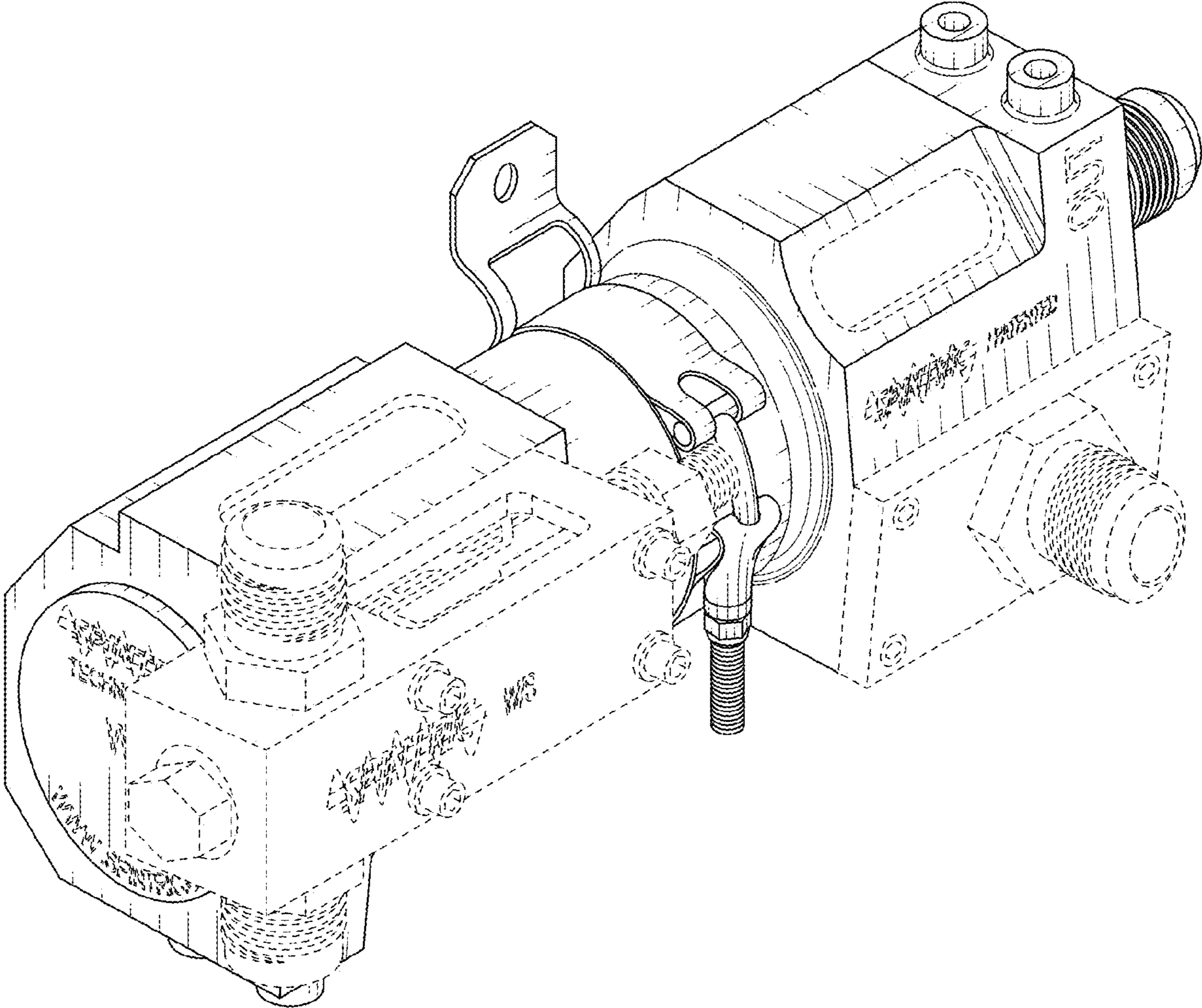


FIG. 1

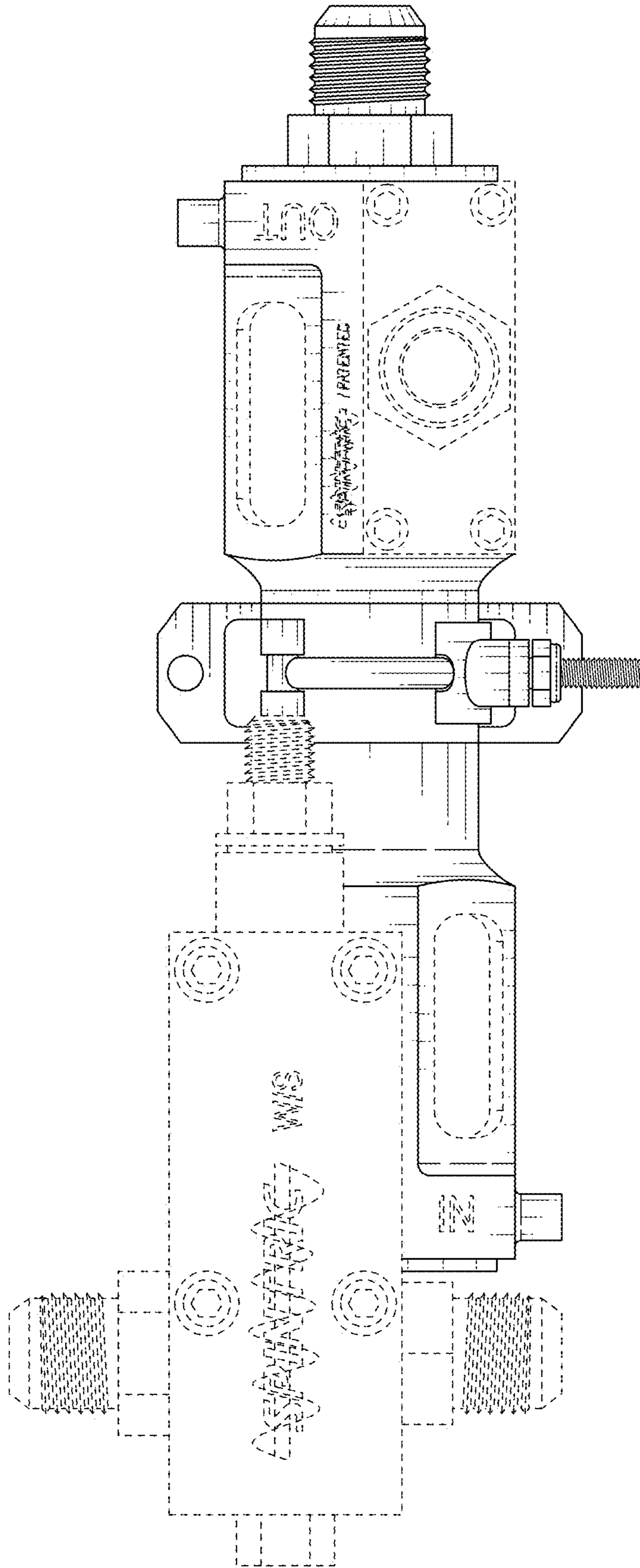


FIG. 2

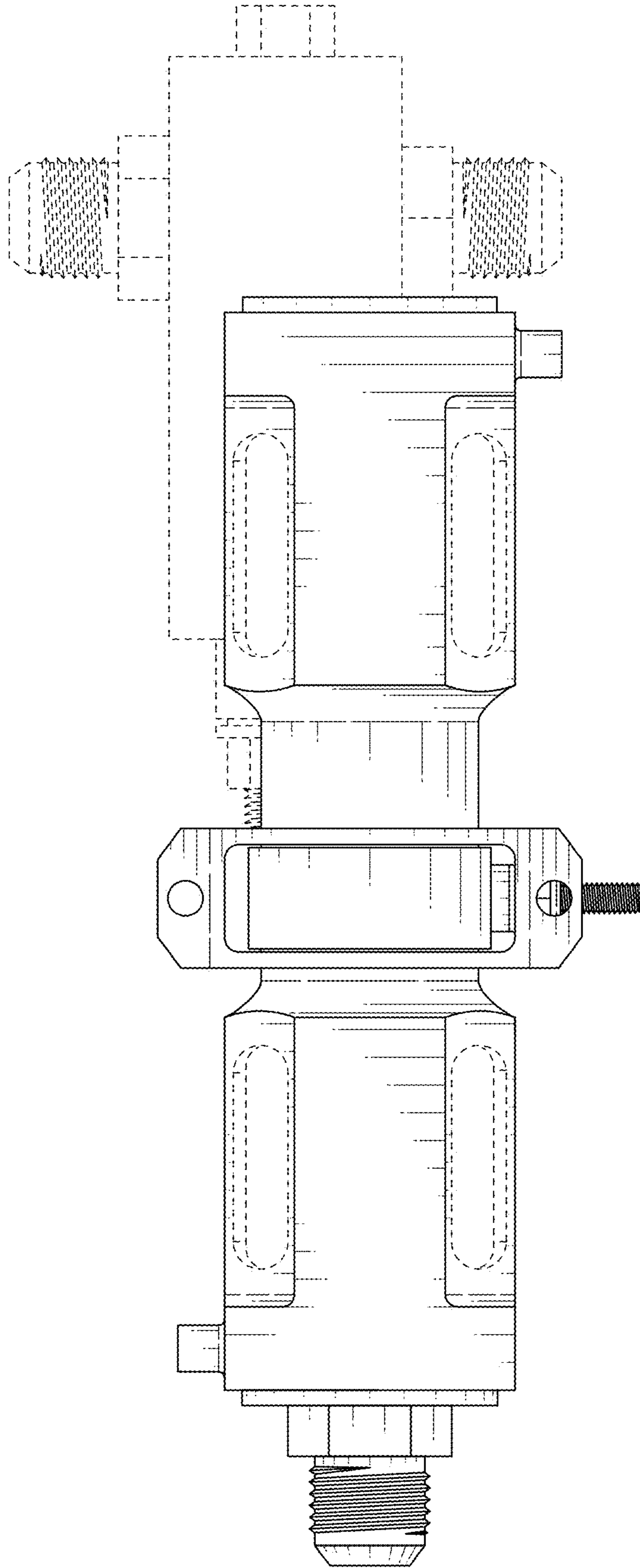


FIG. 3

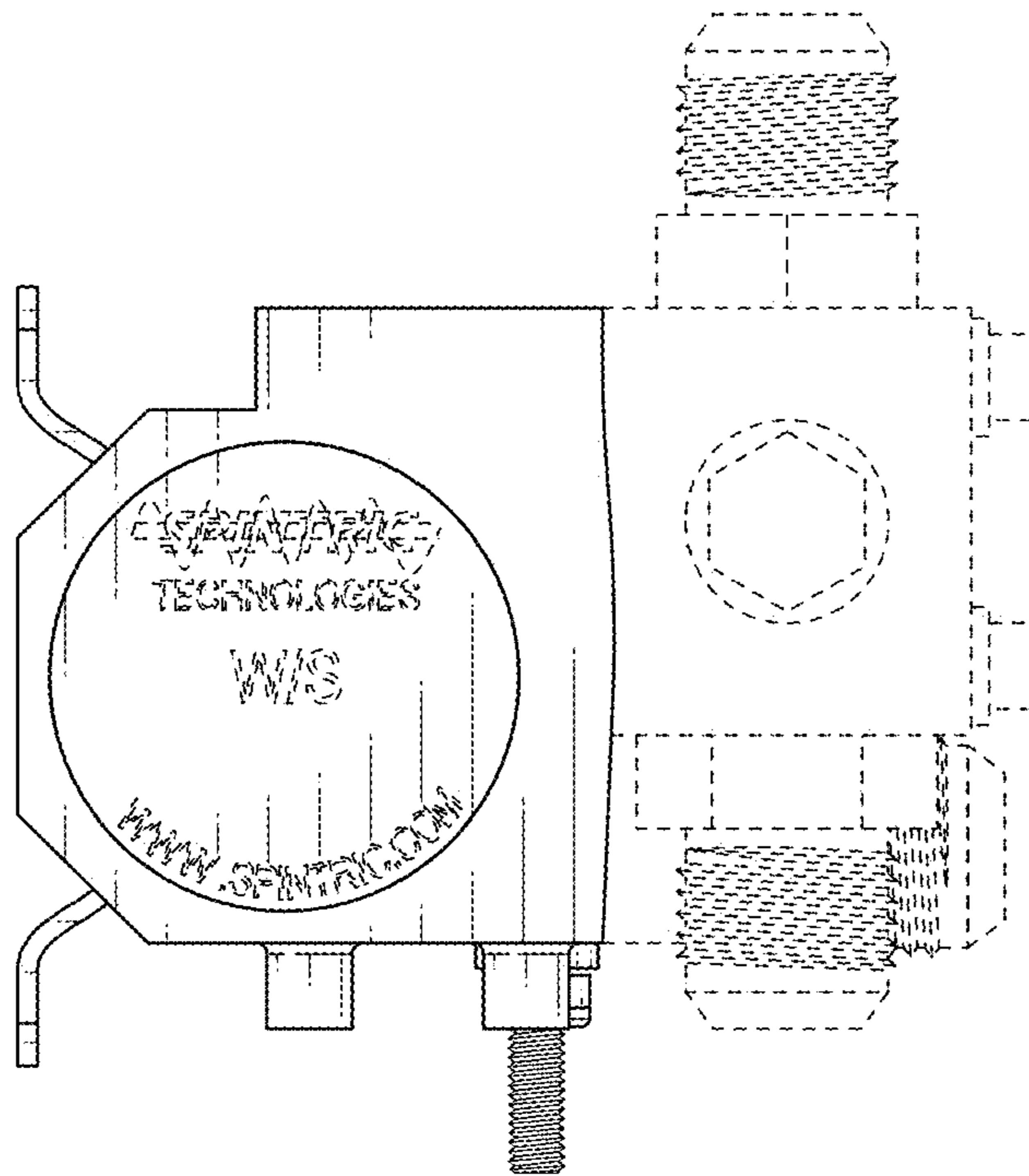


FIG. 4

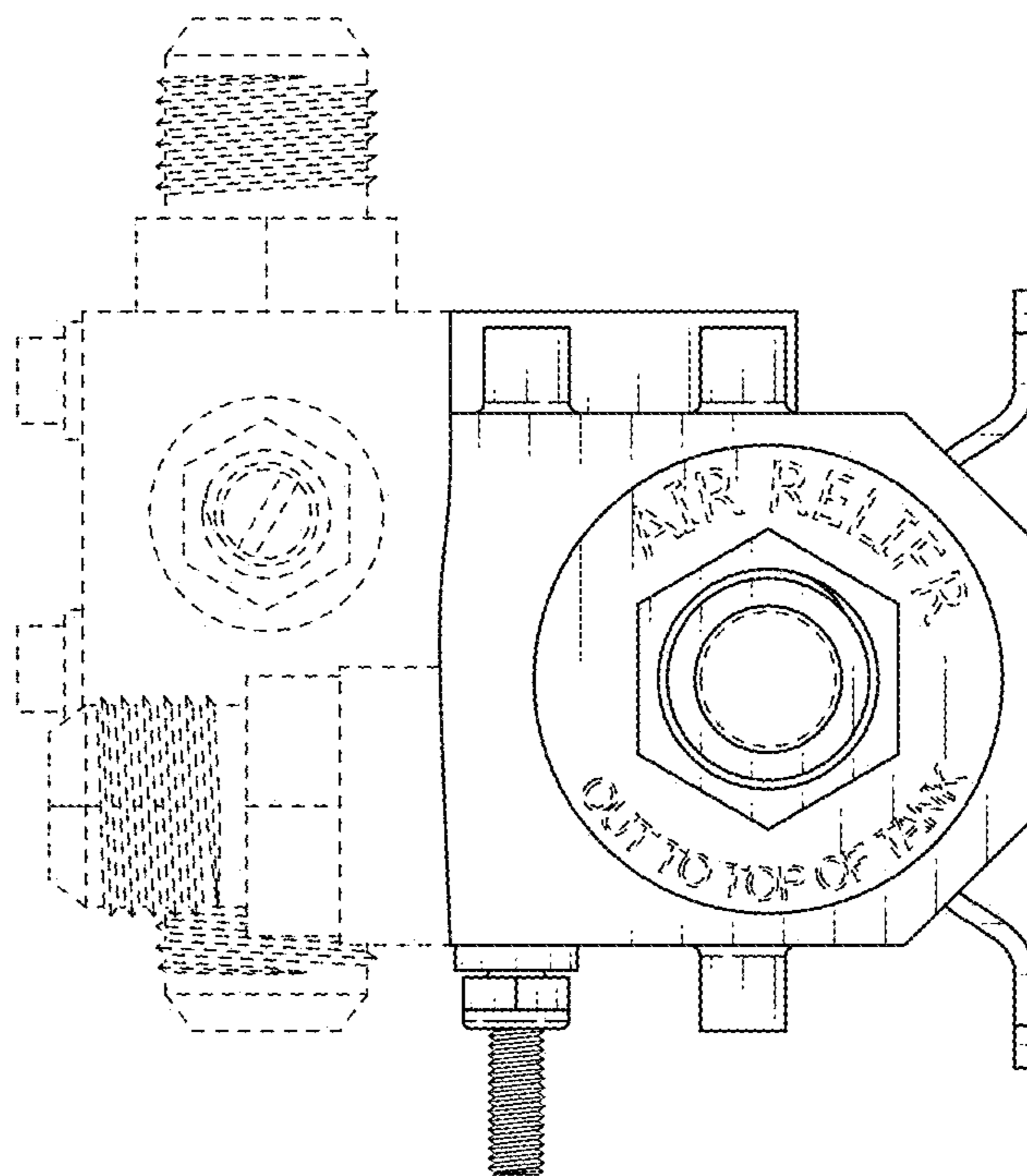


FIG. 5

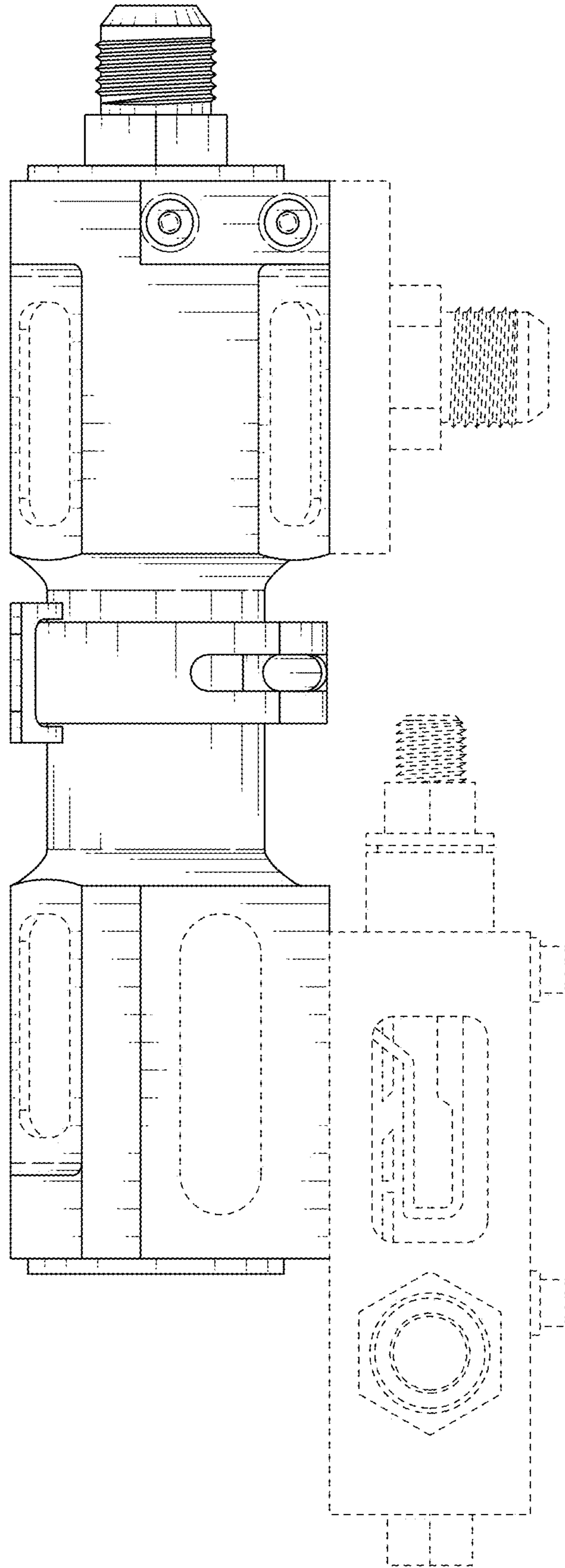


FIG. 6

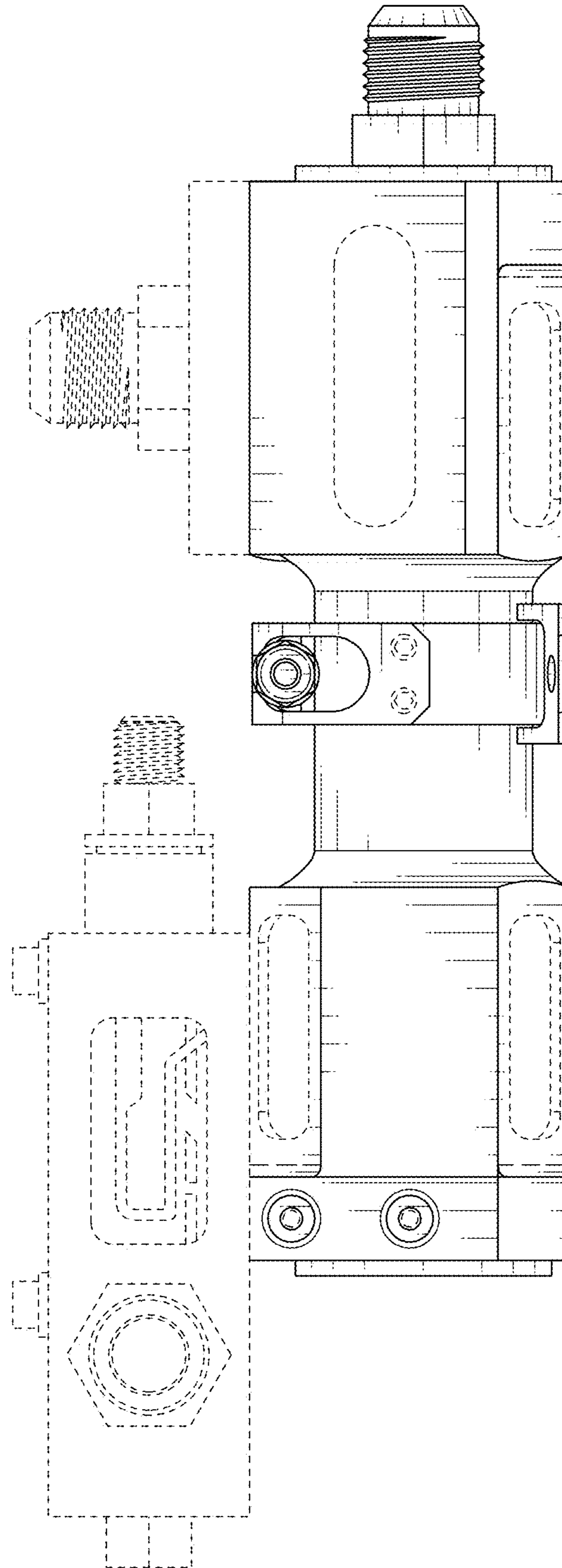


FIG. 7

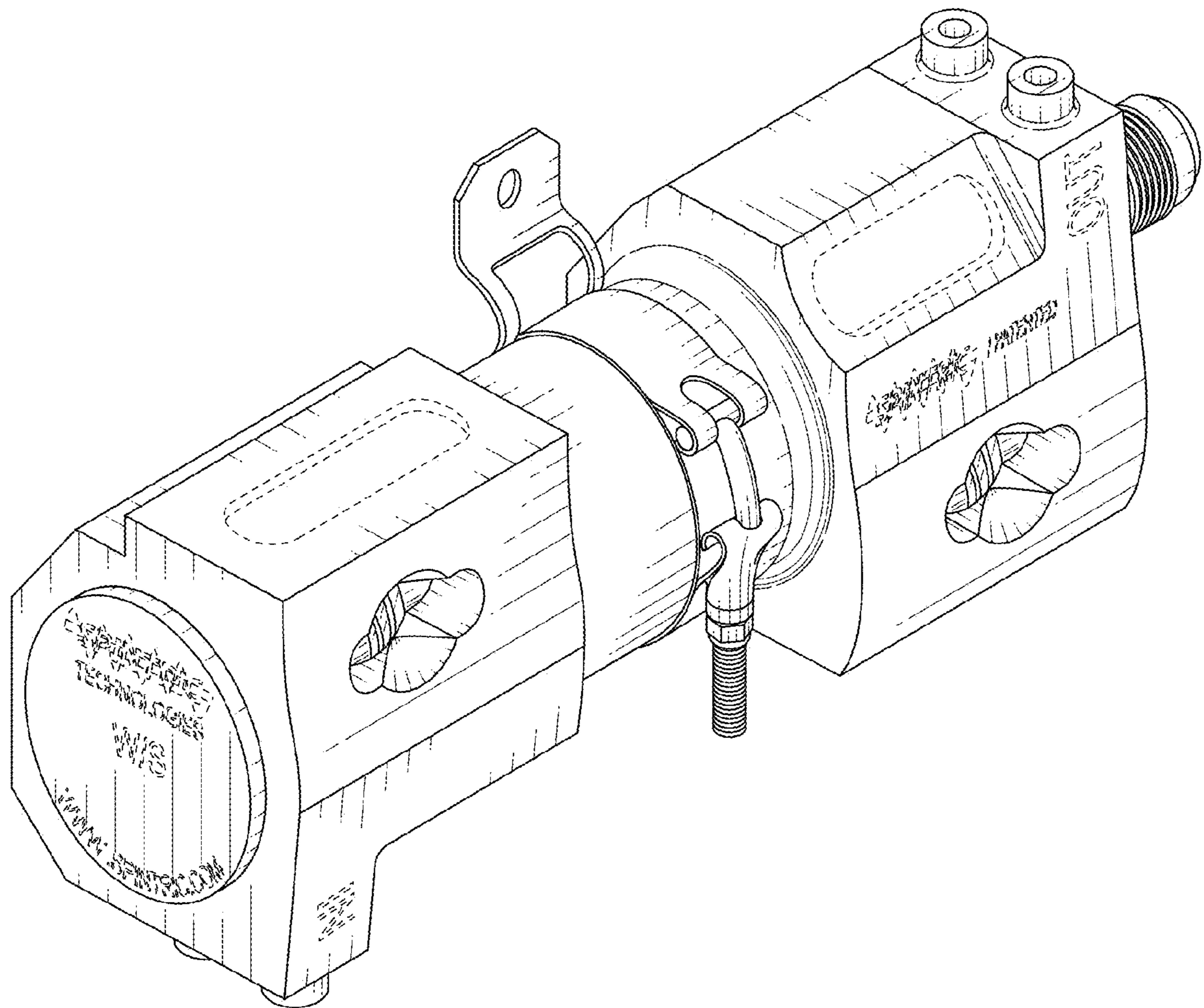


FIG. 8



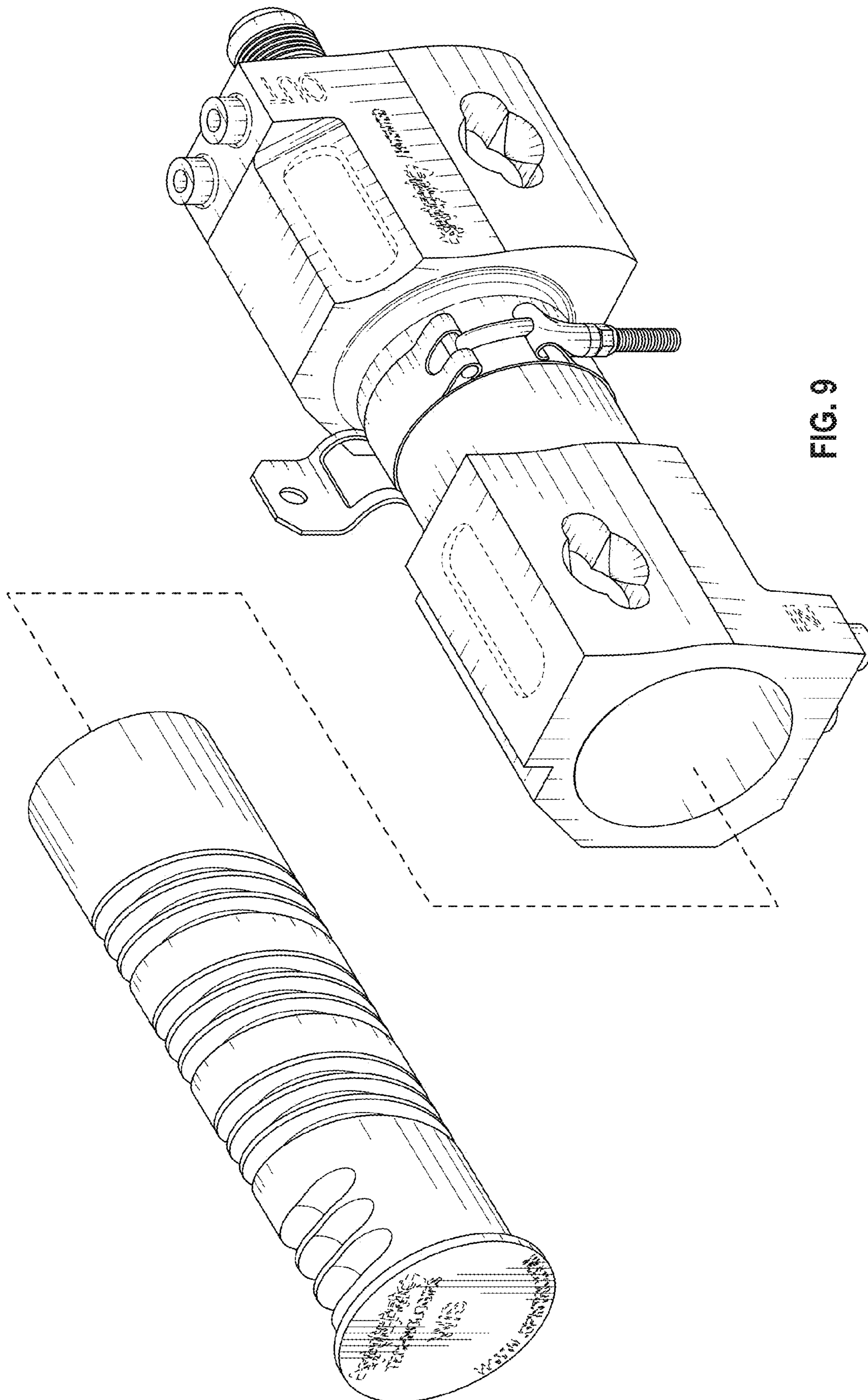


FIG. 9