



US00D890813S

(12) **United States Design Patent** (10) **Patent No.:** **US D890,813 S**
Benedetti et al. (45) **Date of Patent:** **** Jul. 21, 2020**

(54) **HOUSING FOR A KARAOKE DEVICE AND RELATED SUPPORT STAND**

DESCRIPTION

- (71) Applicant: **VOXX International Corporation**, Hauppauge, NY (US)
- (72) Inventors: **David Anthony Benedetti**, Carmel, IN (US); **Ian S. Geise**, Carmel, IN (US); **John Anthony Andrews**, Indianapolis, IN (US)
- (73) Assignee: **VOXX International Corporation**, Hauppauge, NY (US)
- (**) Term: **15 Years**
- (21) Appl. No.: **29/658,485**
- (22) Filed: **Jul. 31, 2018**
- (51) **LOC (12) Cl.** **14-03**
- (52) **U.S. Cl.**
USPC **D14/497**
- (58) **Field of Classification Search**
USPC D14/496–511, 168–172, 188–196, D14/203.1–203.8, 204, 207, 209.1–216, D14/217, 185, 299
CPC B60K 35/00; B60K 37/00; B60K 37/02; B60K 37/06; B60K 11/02; G11B 17/02; G11B 17/04
See application file for complete search history.

(56) **References Cited**

U.S. PATENT DOCUMENTS

- D423,821 S * 5/2000 Crump D14/299
 - D505,960 S * 6/2005 Steele D14/168
 - D512,979 S * 12/2005 Corcoran D14/185
- (Continued)

Primary Examiner — Sandra L Morris

(74) *Attorney, Agent, or Firm* — Bodner & O'Rourke, LLP; Gerald T. Bodner; Christian P. Bodner

(57) **CLAIM**

The ornamental design for a housing for a karaoke device and related support stand, as shown and described.

FIG. 1 is a top front perspective view of a first embodiment of a housing for a karaoke device and related support stand showing our new design;

FIG. 2 is a bottom rear perspective view thereof, not drawn to the same scale as FIGS. 1, 3, 6 and 9;

FIG. 3 is a rear perspective view thereof;

FIG. 4 is a top plan view thereof;

FIG. 5 is a bottom plan view thereof;

FIG. 6 is a right elevational view thereof;

FIG. 7 is a left elevational view thereof, not drawn to the same scale as FIGS. 1, 3, 6 and 9;

FIG. 8 is a front elevational view thereof, not drawn to the same scale as FIGS. 1, 3, 6 and 9;

FIG. 9 is a rear elevational view thereof;

FIG. 10 is a top front perspective view of a second embodiment of a housing for a karaoke device and related support stand showing our new design;

FIG. 11 is a bottom rear perspective view thereof, not drawn to the same scale as FIGS. 10, 12, 15 and 18;

FIG. 12 is a rear perspective view thereof;

FIG. 13 is a top plan view thereof;

FIG. 14 is a bottom plan view thereof;

FIG. 15 is a right elevational view thereof;

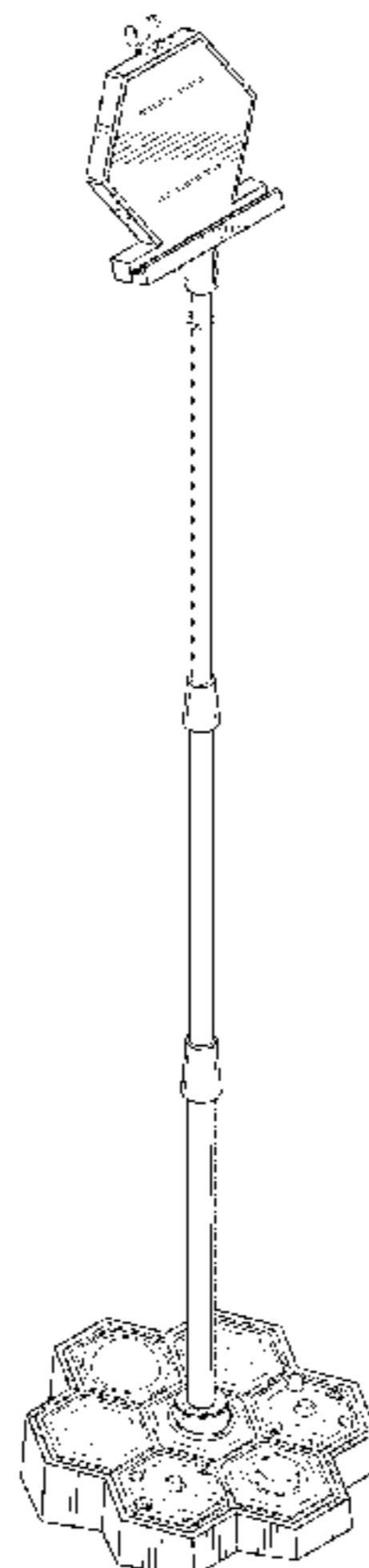
FIG. 16 is a left elevational view thereof, not drawn to the same scale as FIGS. 10, 12, 15 and 18;

FIG. 17 is a front elevational view thereof, not drawn to the same scale as FIGS. 10, 12, 15 and 18; and,

FIG. 18 is a rear elevational view thereof.

The broken lines and portions contained within are not claimed. In the second embodiment of the housing for a karaoke device and related support stand formed in accordance with the present invention, as shown in FIGS. 10-18 of the drawings, the stippling represents a matte mesh surface.

1 Claim, 16 Drawing Sheets



(56)

References Cited

U.S. PATENT DOCUMENTS

D614,202 S * 4/2010 Strauser D14/497
D671,110 S * 11/2012 Choi D14/253

* cited by examiner

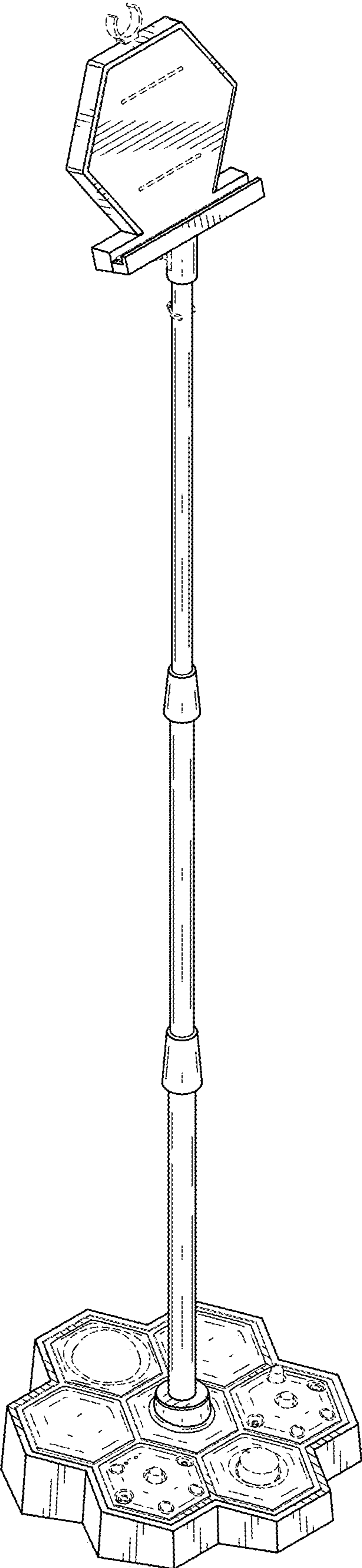


FIG. 1

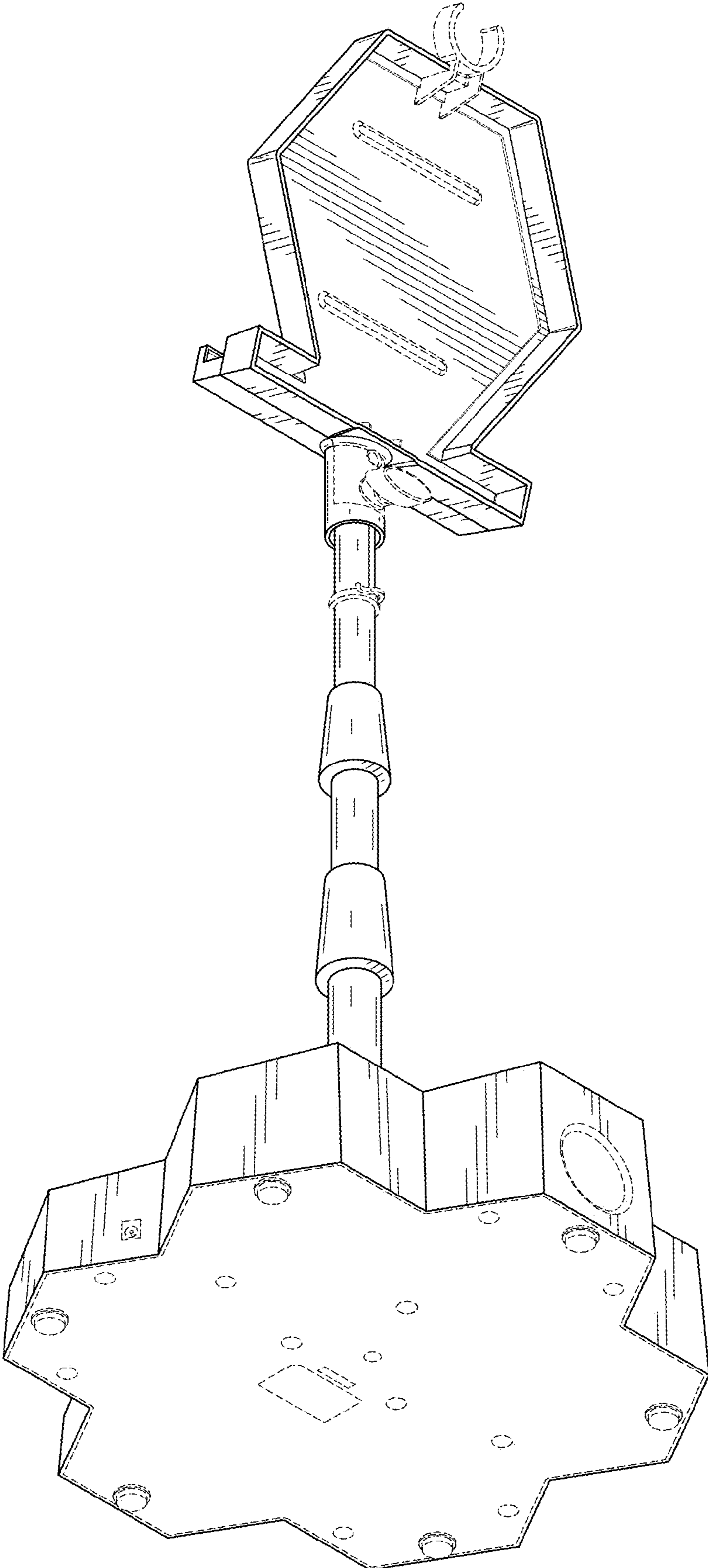


FIG. 2

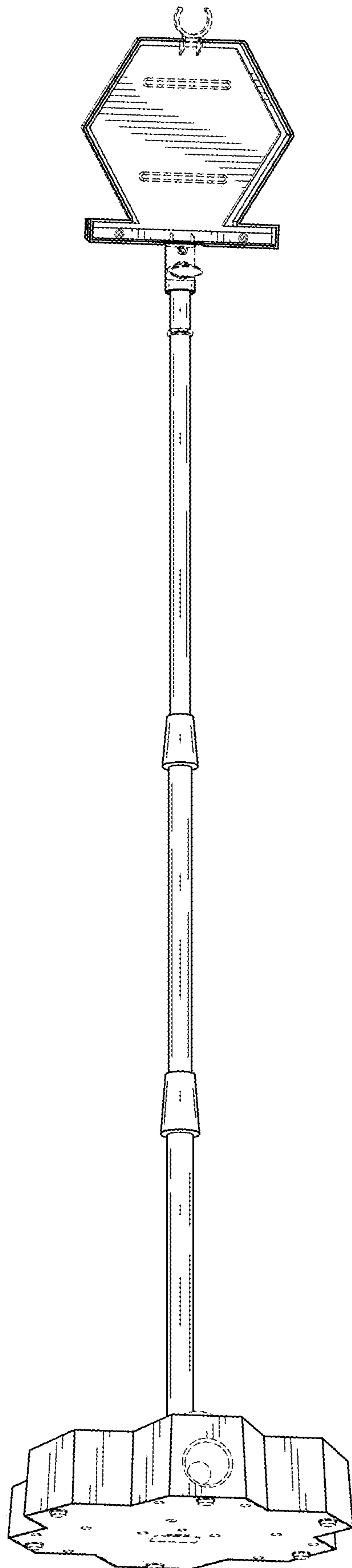


FIG. 3

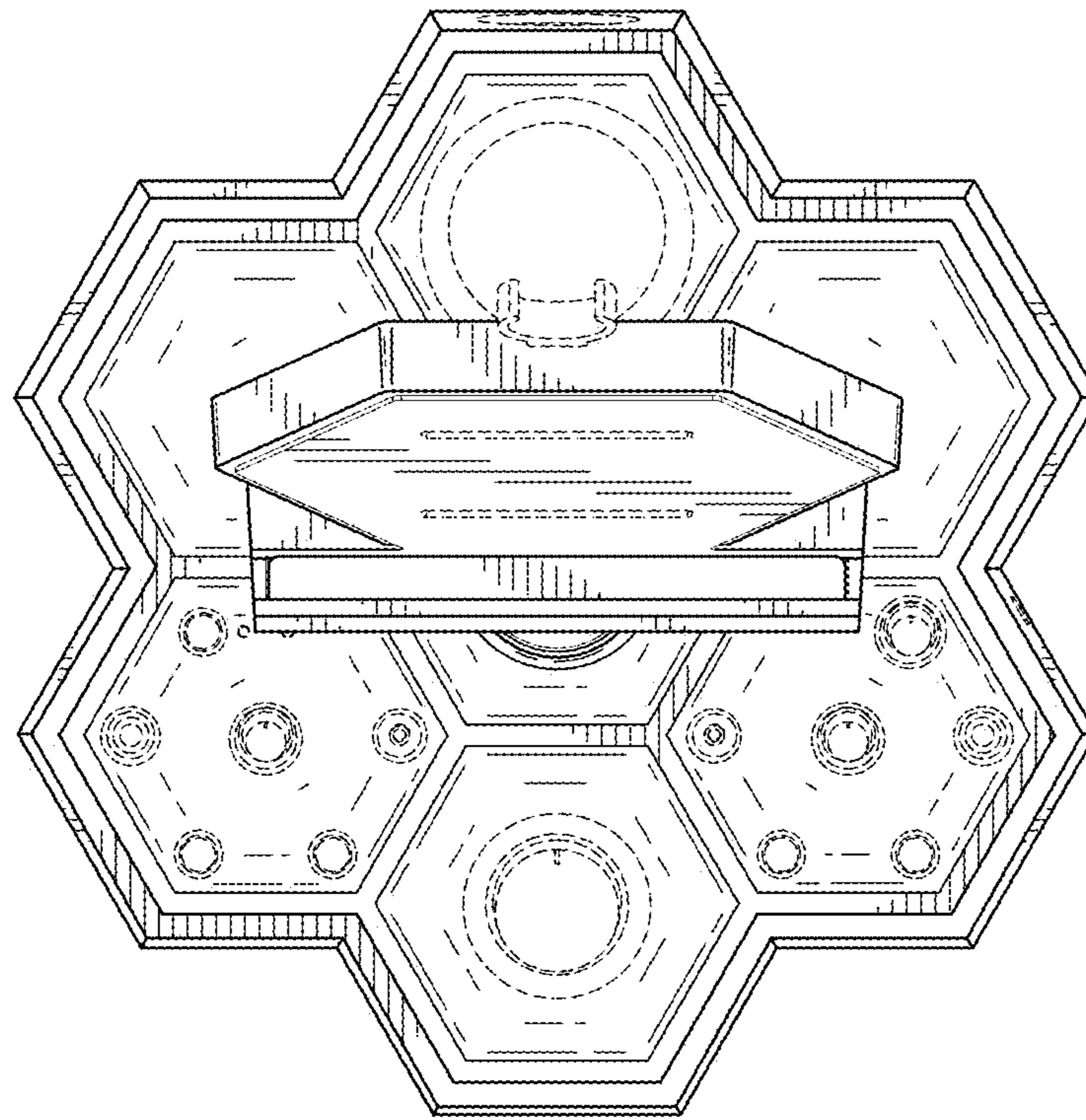


FIG. 4

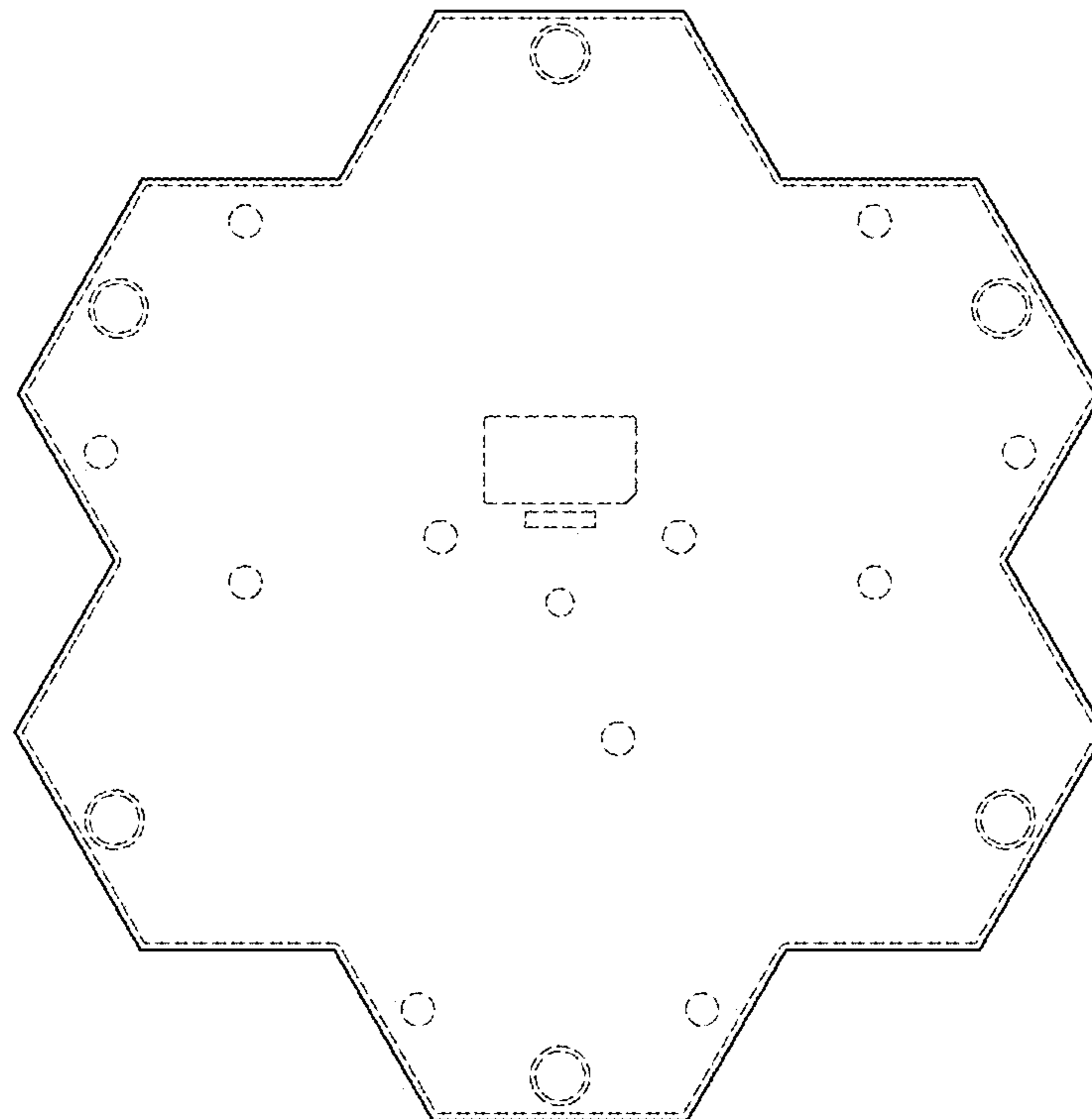


FIG. 5

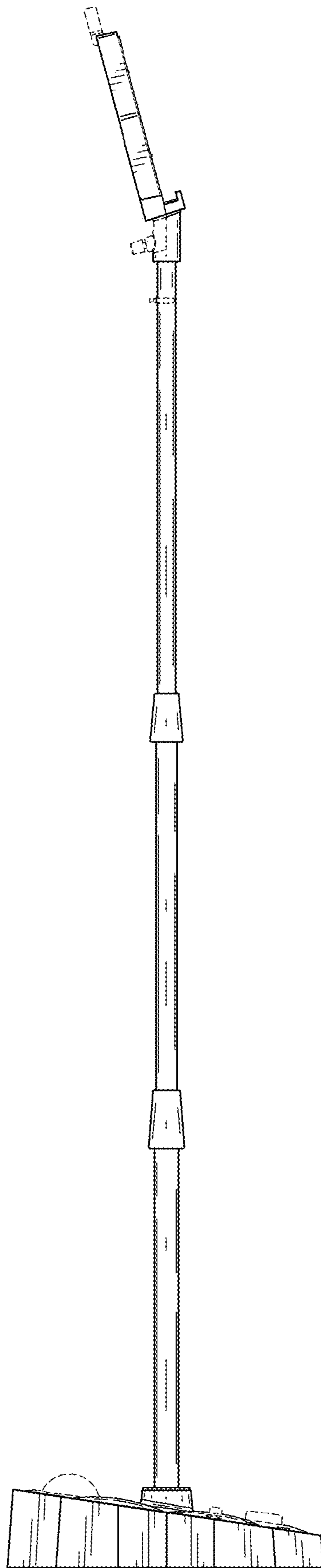


FIG. 6

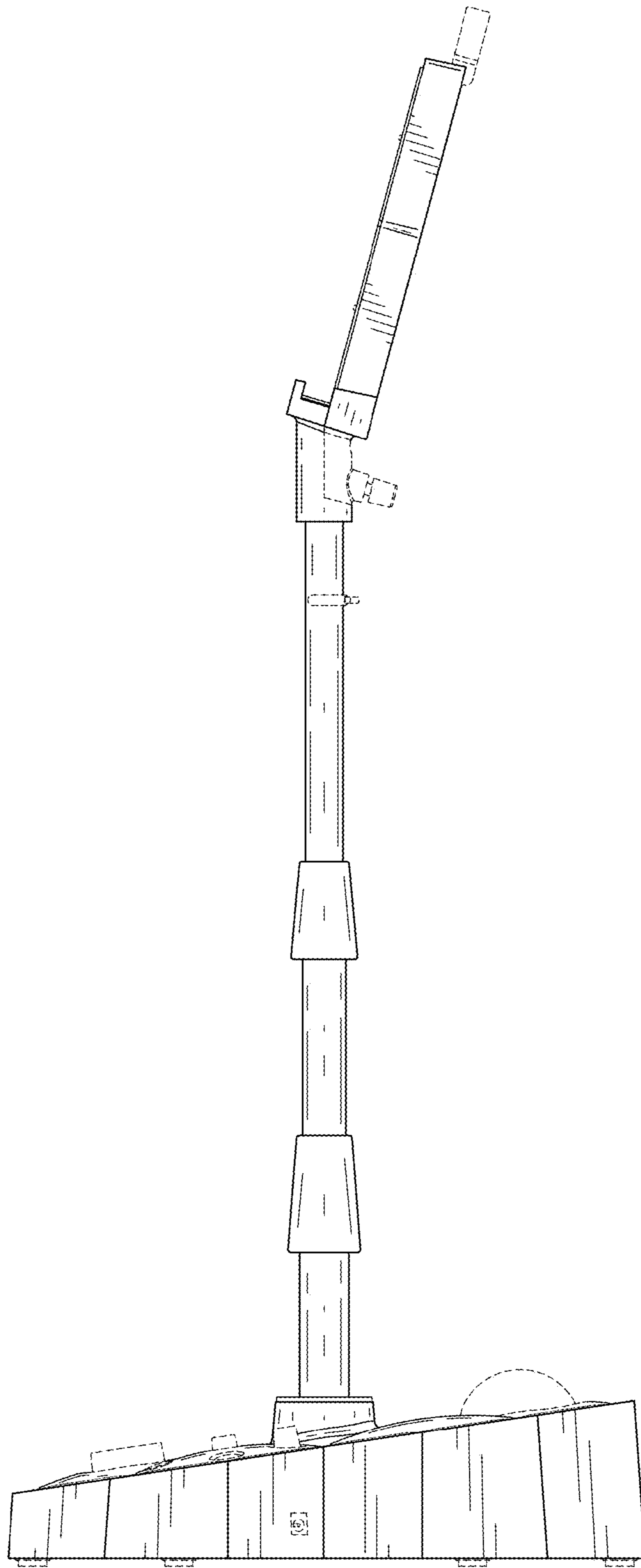


FIG. 7

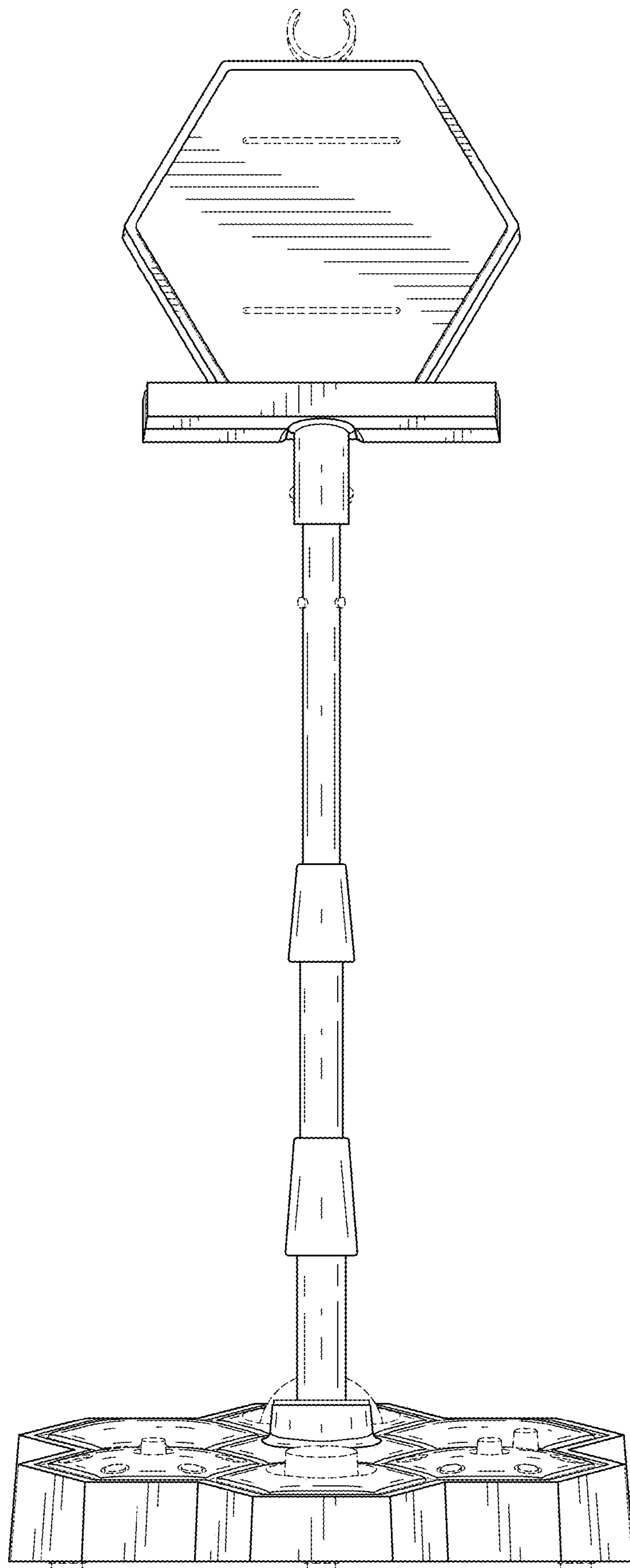


FIG. 8

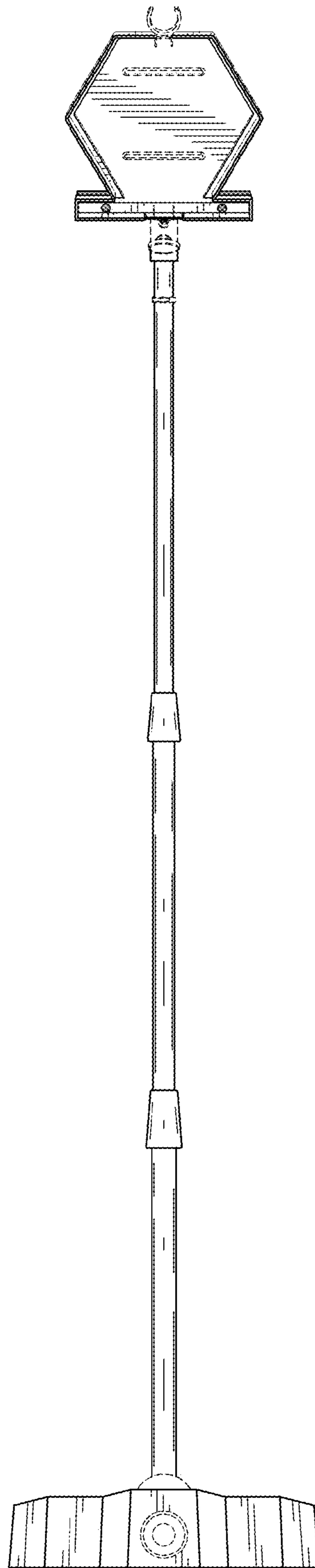


FIG. 9

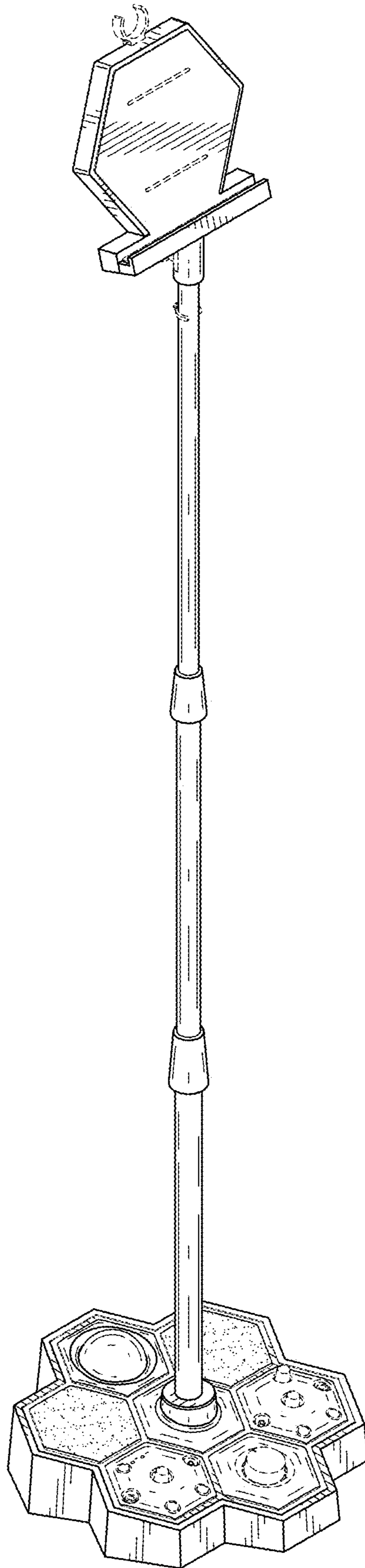


FIG. 10

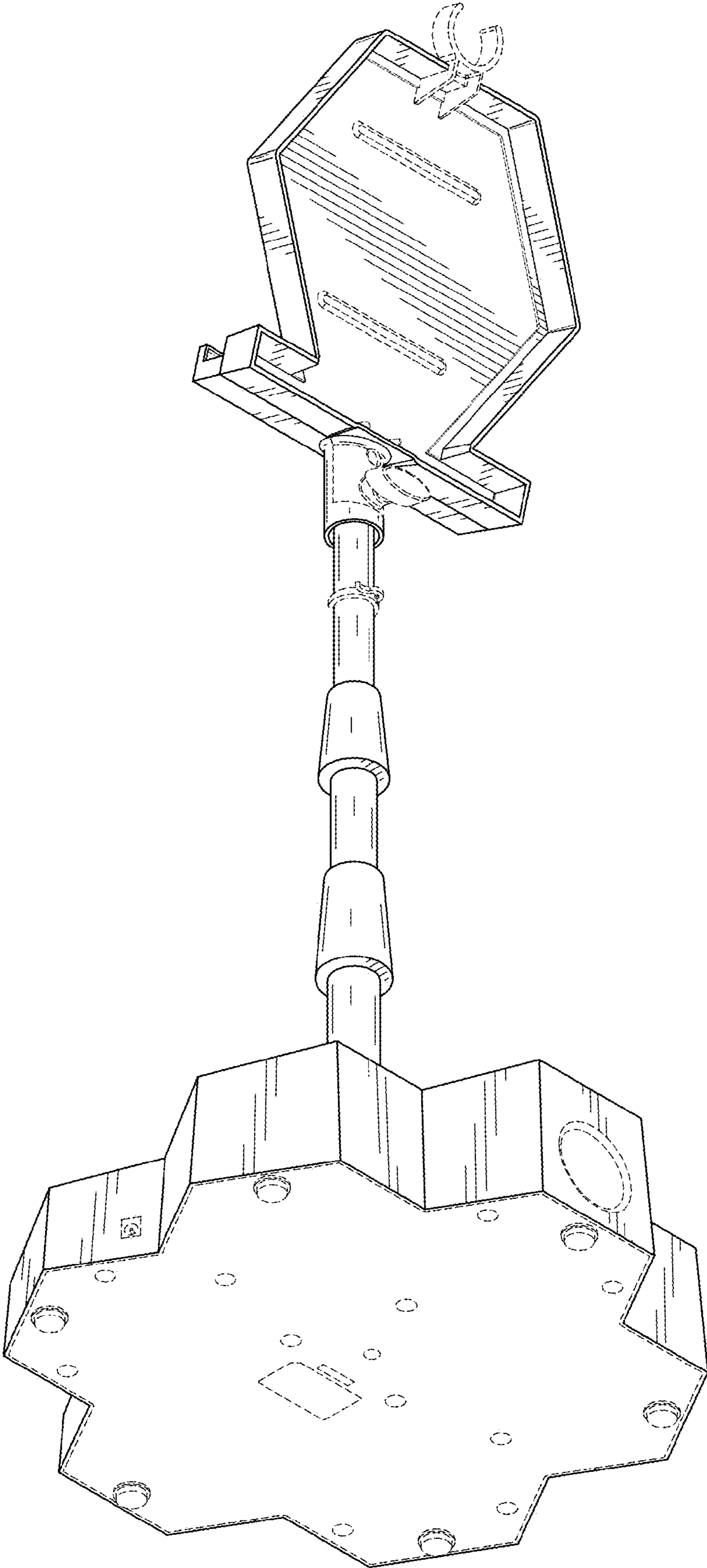


FIG. 11

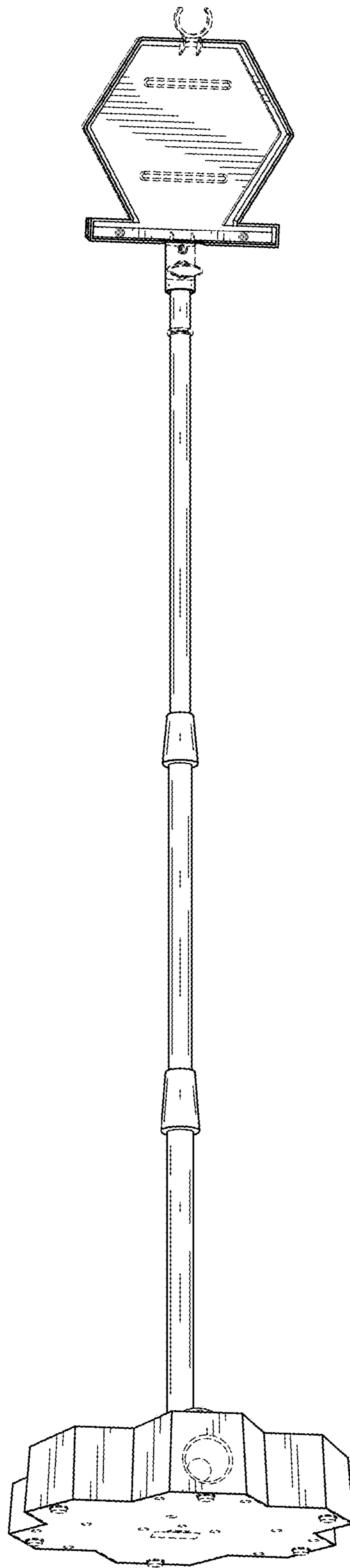


FIG. 12

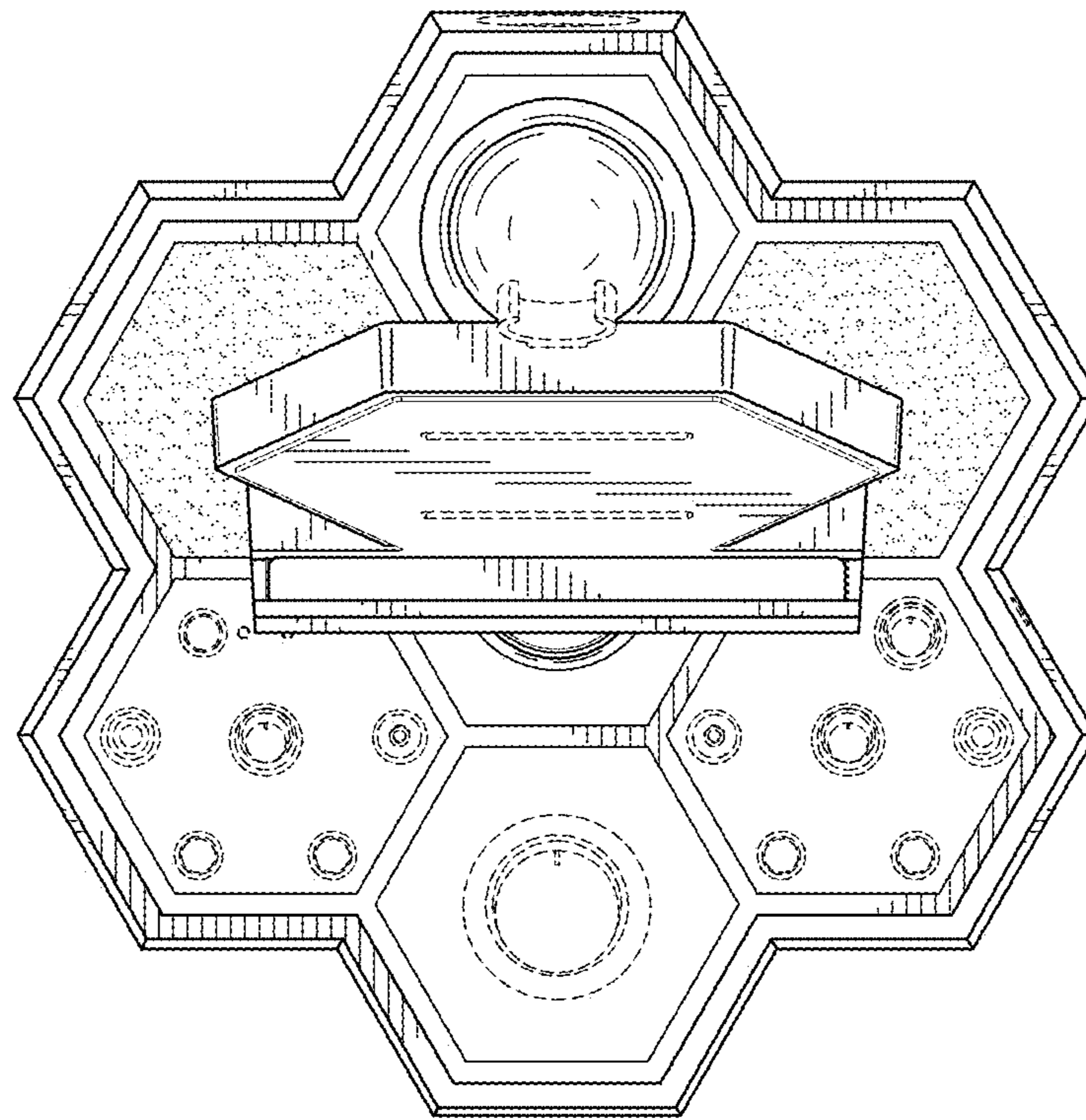


FIG. 13

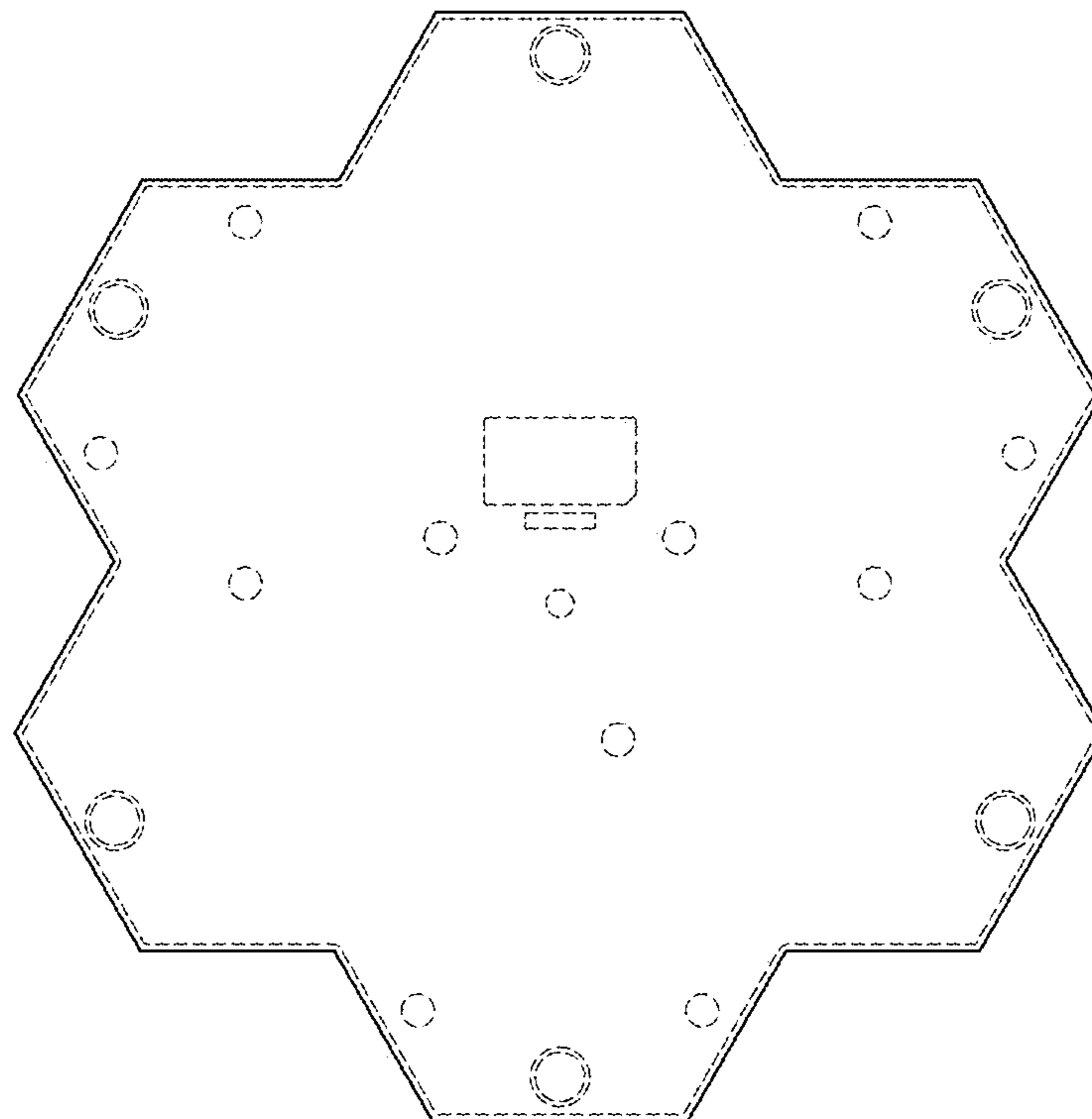


FIG. 14

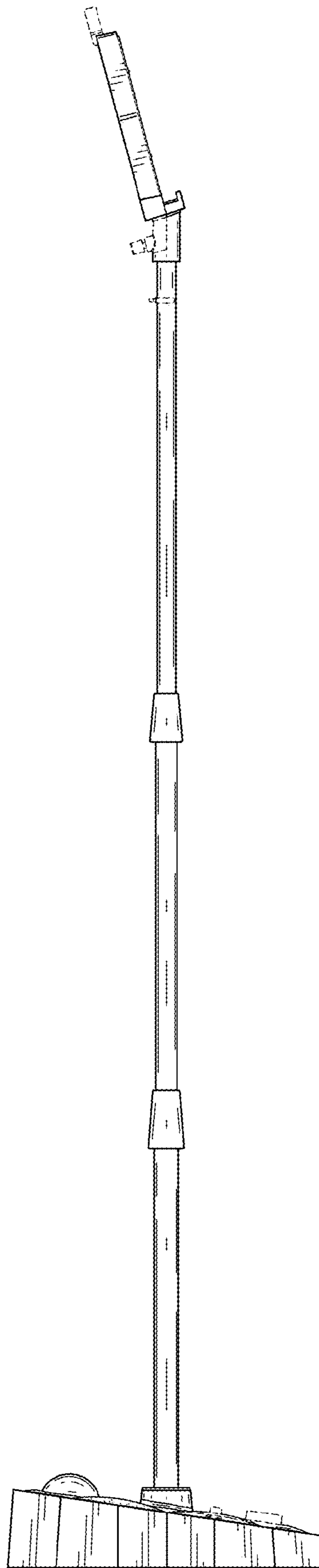


FIG. 15

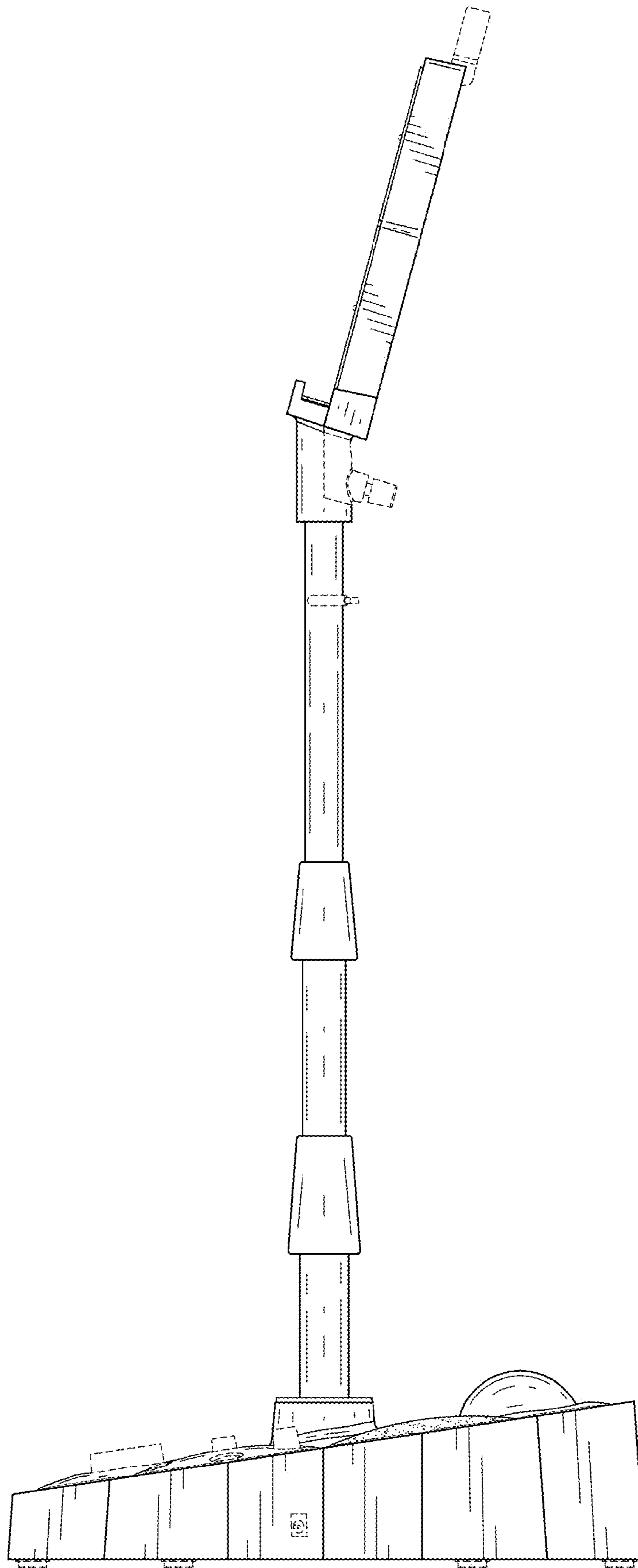


FIG. 16

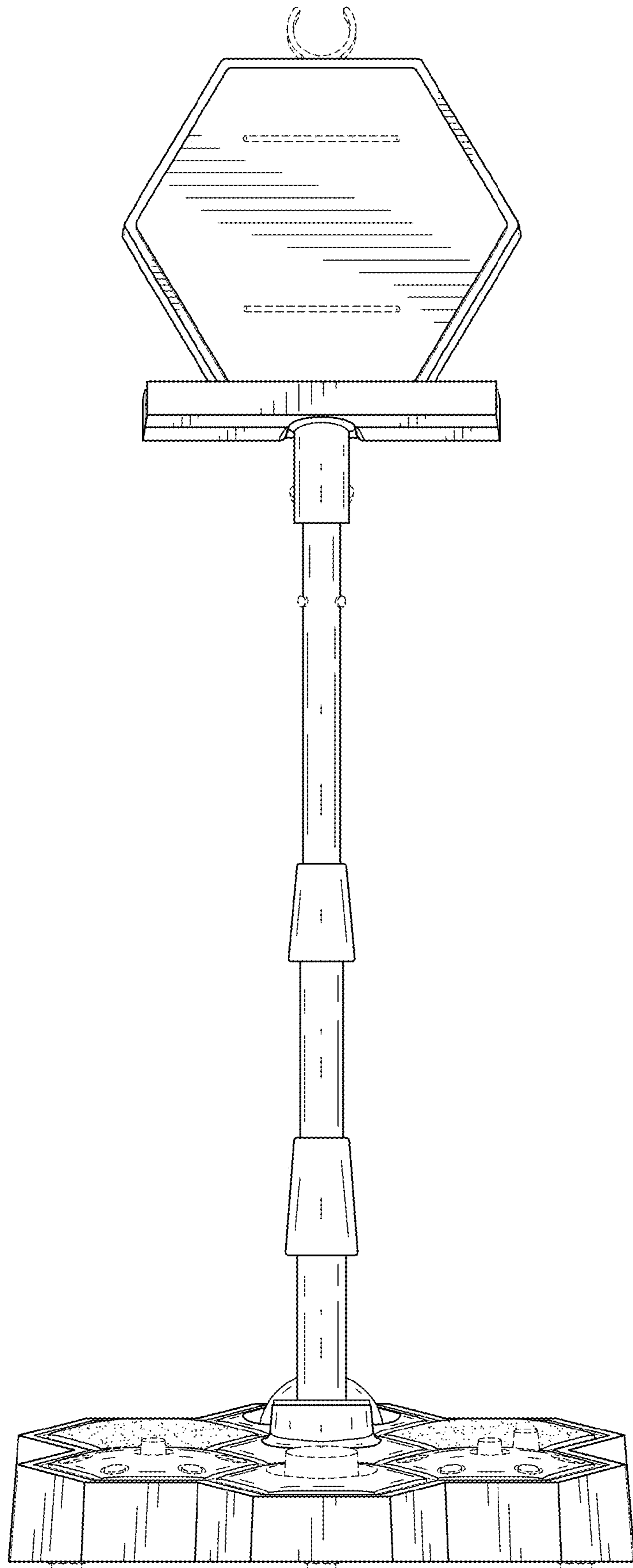


FIG. 17

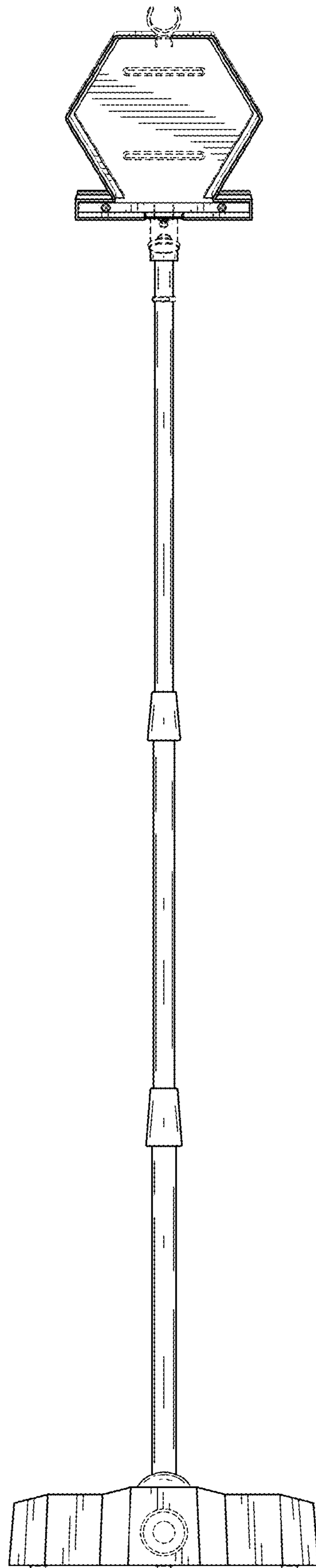


FIG. 18