



US00D890767S

(12) **United States Design Patent**
Chong

(10) **Patent No.:** **US D890,767 S**

(45) **Date of Patent:** **** Jul. 21, 2020**

(54) **BAR STAND**

(71) Applicant: **CYK STUDIO LIMITED**, Shenzhen (CN)

(72) Inventor: **Yong Khong Chong**, Shenzhen (CN)

(**) Term: **15 Years**

(21) Appl. No.: **29/729,861**

(22) Filed: **Mar. 31, 2020**

(51) **LOC (12) Cl.** **08-07**

(52) **U.S. Cl.**
USPC **D14/447**

(58) **Field of Classification Search**
USPC D14/447, 432, 434, 439, 440, 451, 452,
D14/457, 239; D8/363, 373, 380;
D6/406.3, 406.4, 406.5, 406.6; D12/415
CPC A47B 21/04; A47B 2097/006; A47B
2097/005; A47B 2023/049; A45C
2011/002; A45C 2011/003; F16M
2200/00; F16M 13/00

See application file for complete search history.

(56) **References Cited**

U.S. PATENT DOCUMENTS

D596,187 S	7/2009	Martell	
D661,308 S	6/2012	Capozzoli, II	
D667,831 S	9/2012	Stravitz	
D669,482 S *	10/2012	Hu	D14/447
D714,281 S *	9/2014	Reznik	D14/251
D718,772 S *	12/2014	Westrup	D14/447
D721,713 S *	1/2015	Ko	D14/451
D811,386 S *	2/2018	Oakley	D14/341

D829,724 S *	10/2018	Chun	D14/447
D833,450 S *	11/2018	Oakley	D14/451
D847,821 S *	5/2019	Gowda	D14/447
D855,603 S *	8/2019	Kim	D14/250
D855,604 S *	8/2019	Kim	D14/250
D855,605 S *	8/2019	Kim	D14/250
D855,606 S *	8/2019	Kim	D14/250
2012/0224305 A1 *	9/2012	Yoo	H04M 1/0216 361/679.01

* cited by examiner

Primary Examiner — Angela J Lee

(74) *Attorney, Agent, or Firm* — HYIP

(57) **CLAIM**

The ornamental design for a bar stand, as shown and described.

DESCRIPTION

FIG. 1 is a perspective view of a bar stand showing my new design;

FIG. 2 is a front view thereof;

FIG. 3 is a back view thereof;

FIG. 4 is a left side view thereof;

FIG. 5 is a right side view thereof;

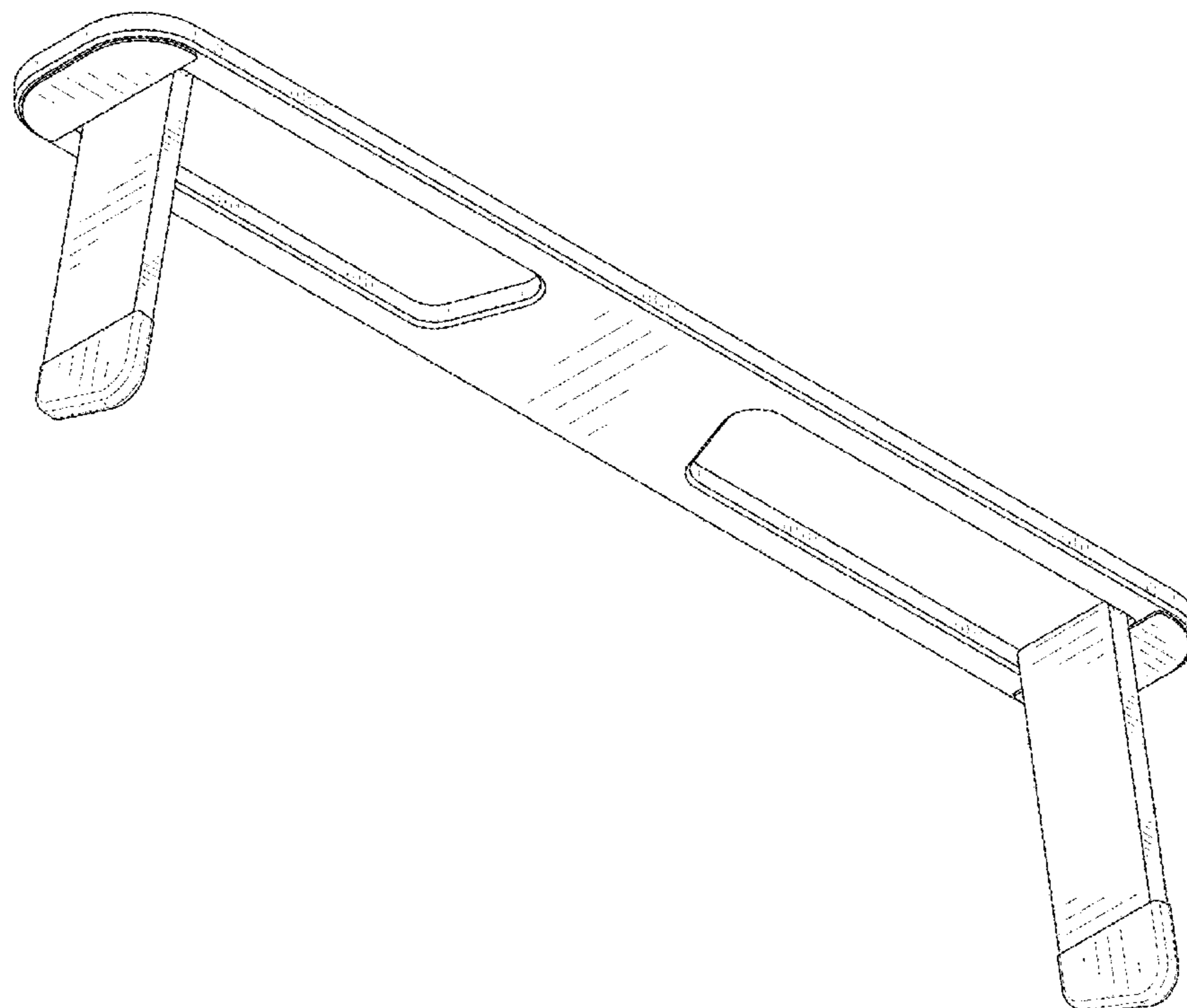
FIG. 6 is a top view thereof;

FIG. 7 is a bottom view thereof; and,

FIG. 8 is a perspective view of the bar stand thereof, but in an alternate position.

The broken lines shown in the drawings depict portions of the bar stand in which the design is embodied that form no part of the claimed design.

1 Claim, 8 Drawing Sheets



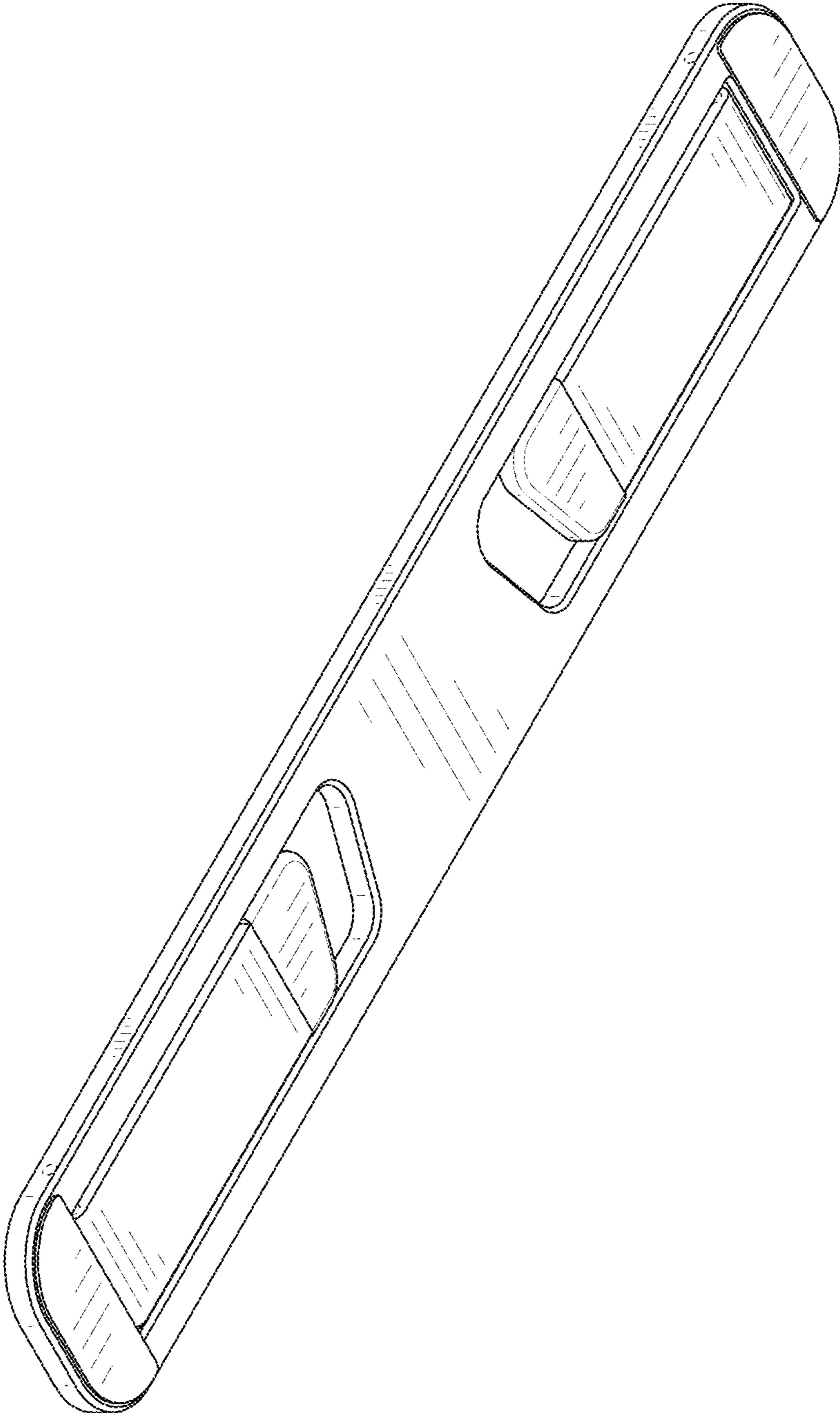


FIG. 1

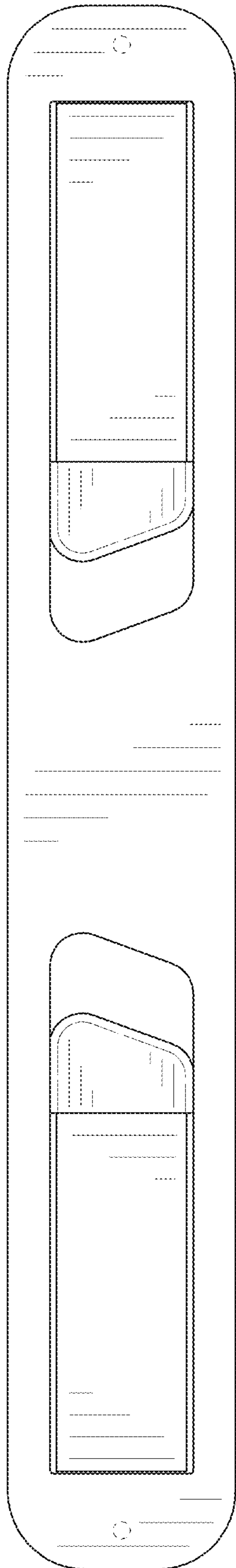


FIG. 2

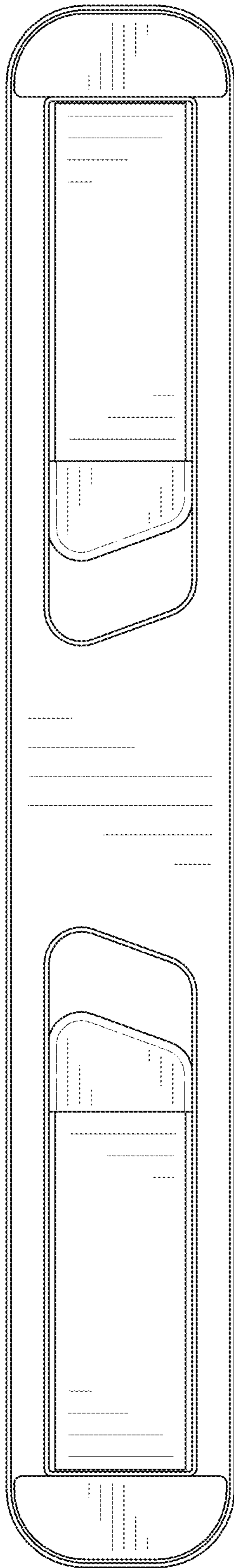


FIG. 3



FIG. 4

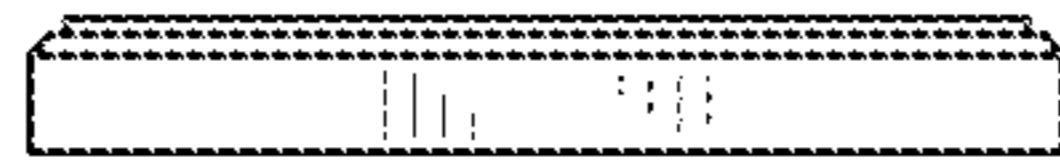


FIG. 5

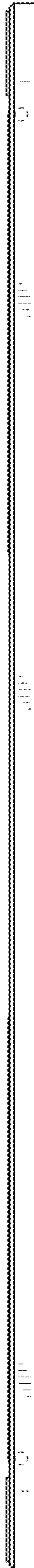


FIG. 6

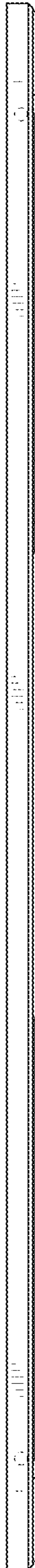


FIG. 7

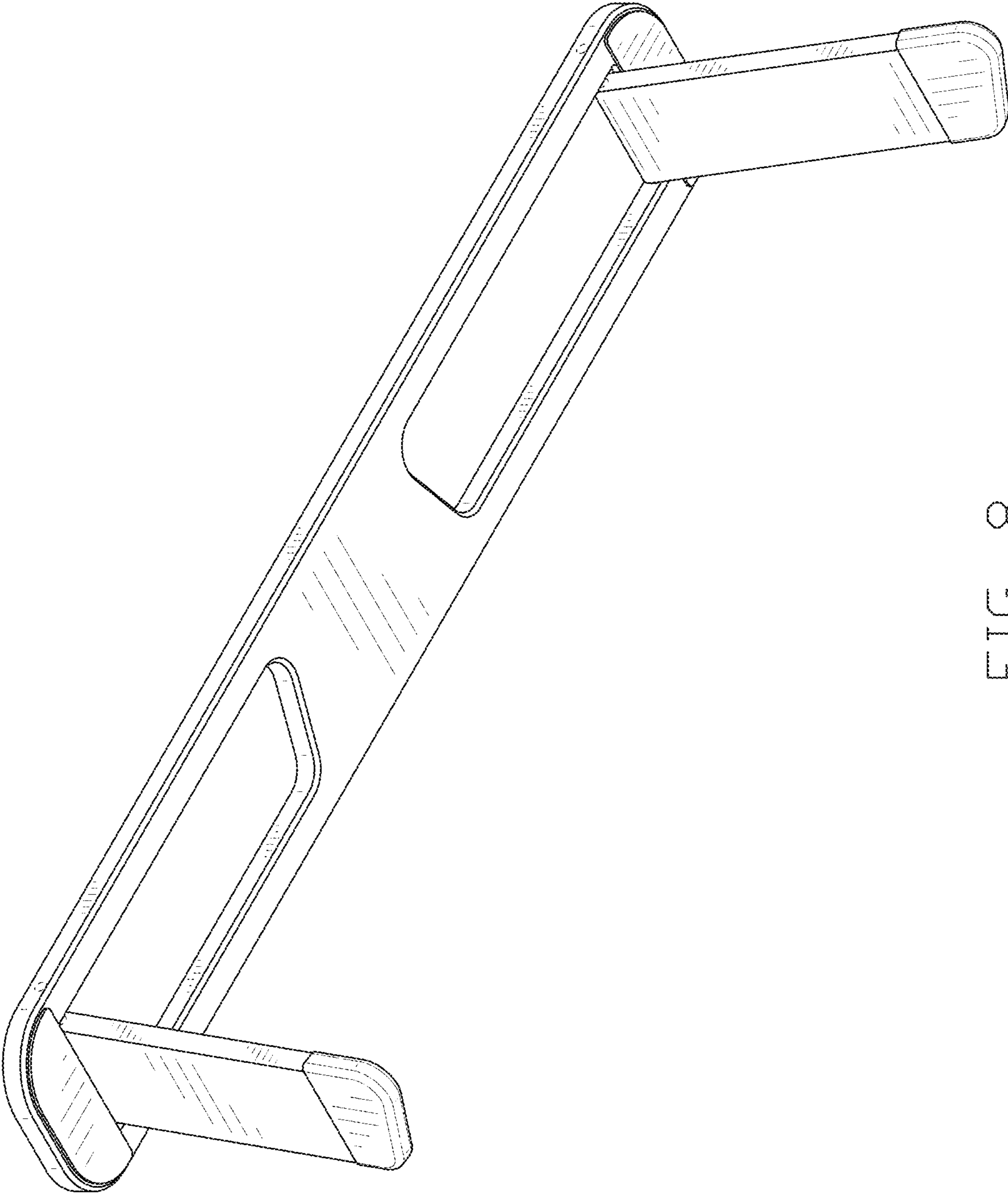


FIG. 8