



US00D890766S

(12) **United States Design Patent** (10) **Patent No.:** **US D890,766 S**
Lee (45) **Date of Patent:** **** Jul. 21, 2020**

(54) **COVER FOR ELECTRONIC DEVICE**

(71) Applicant: **elago CO. LTD**, Goyang-si,
Gyeonggi-do (KR)

(72) Inventor: **Chanwoo Lee**, Goyang-si (KR)

(73) Assignee: **elago CO. LTD**, Goyang-si,
Gyeonggi-Do (KR)

(**) Term: **15 Years**

(21) Appl. No.: **29/731,150**

(22) Filed: **Apr. 13, 2020**

(51) **LOC (12) Cl.** **14-02**

(52) **U.S. Cl.**
USPC **D14/440**

(58) **Field of Classification Search**
USPC D14/440, 447, 250, 403; 206/45.23, 320,
206/45.2, 224; 361/679.55; 294/25;
224/218

CPC ... G06F 1/1628; G06F 1/1626; A47B 23/044;
H04B 1/3888

See application file for complete search history.

(56) **References Cited**

U.S. PATENT DOCUMENTS

4,753,346	A *	6/1988	Tsuji	A45C 11/36
					206/224
D316,273	S	4/1991	Tsuji		
D323,929	S *	2/1992	Hodson	D14/440
D377,788	S *	2/1997	Carlson	D14/440
6,112,887	A	9/2000	Harrison		
D447,339	S	9/2001	Rosmon		
D451,511	S *	12/2001	Hervig	D14/403
D467,799	S *	12/2002	Persson	D9/420
D492,685	S *	7/2004	Vleek	D14/403
D524,039	S	7/2006	Guenther		
D530,700	S *	10/2006	Mitchell	D14/143
7,293,782	B2 *	11/2007	Jennings	A63C 17/26
					280/11.19

D558,973	S *	1/2008	Hussaini	D3/201
D573,788	S	7/2008	House		
D575,055	S	8/2008	Eisenbraun		
7,736,103	B1 *	6/2010	Leon	A01D 34/001
					280/47.26
D624,313	S	9/2010	Mitchell		
D651,796	S	1/2012	Colchiesqui		
D651,797	S *	1/2012	Colchiesqui	D3/271.12

(Continued)

FOREIGN PATENT DOCUMENTS

CN	305323158	8/2019
CN	305329364	9/2019
KR	10-1875217 B1	7/2018

Primary Examiner — Cynthia R Underwood

(74) *Attorney, Agent, or Firm* — Paratus Law Group,
PLLC

(57) **CLAIM**

The ornamental design for a cover for electronic device, as shown and described.

DESCRIPTION

FIG. 1 is a front, top, and right-side perspective view of a cover for electronic device, showing our new design;
 FIG. 2 is a front view thereof;
 FIG. 3 is a back view thereof;
 FIG. 4 is a right-side view thereof, the left-side view being a mirror image;
 FIG. 5 is a top view thereof;
 FIG. 6 is a bottom view thereof; and,
 FIG. 7 is a rear, top, and right-side perspective view thereof.
 The drawings are executed in grayscale. Grayscale shading illustrates contour and does not represent any particular color. The features shown in white in FIGS. 3 and 6 depict interior portions seen through openings of the cover for electronic device, and form no part of the claimed design.

1 Claim, 7 Drawing Sheets

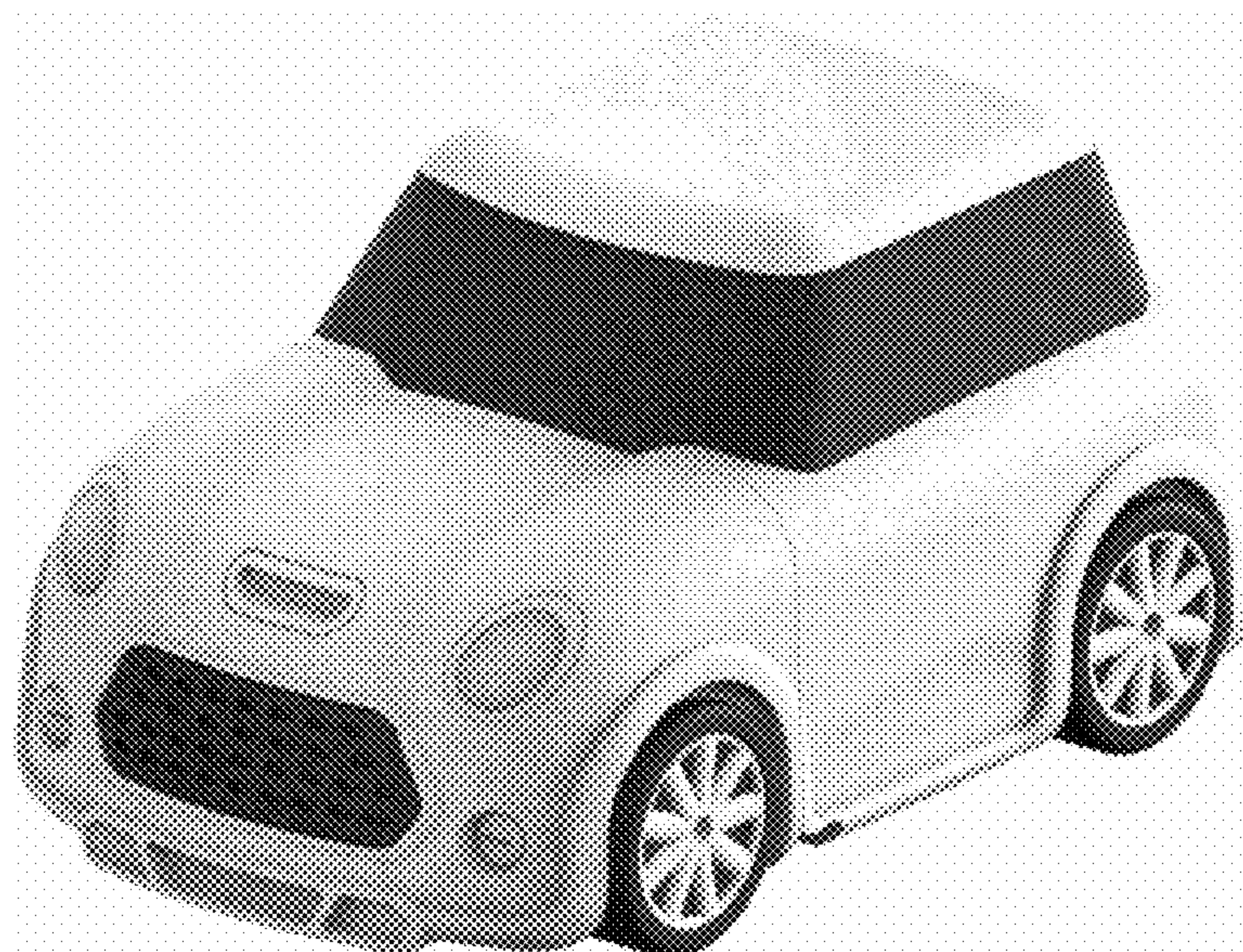


FIG. 1



FIG. 2



FIG. 3

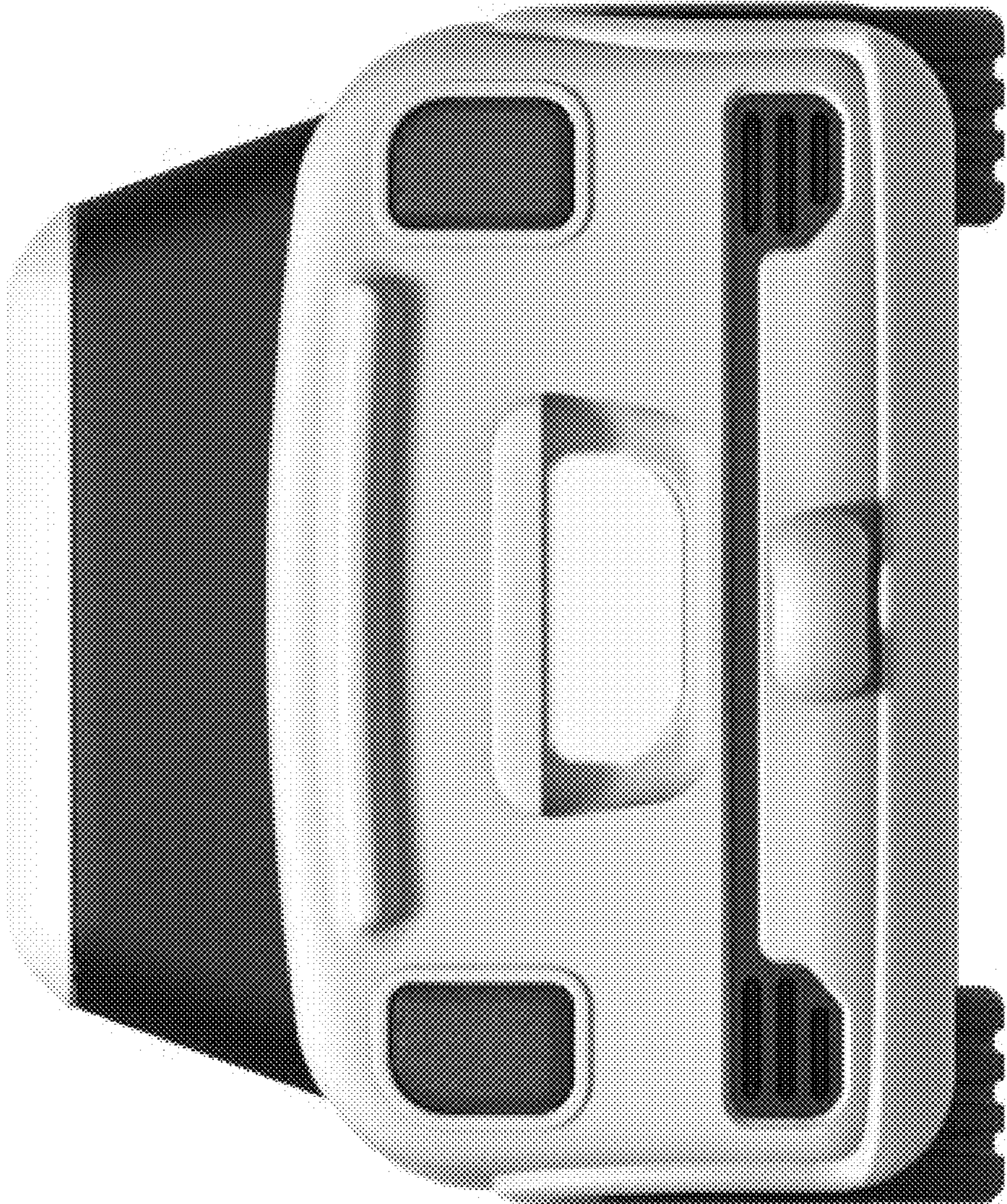


FIG. 4



FIG. 5



FIG. 6

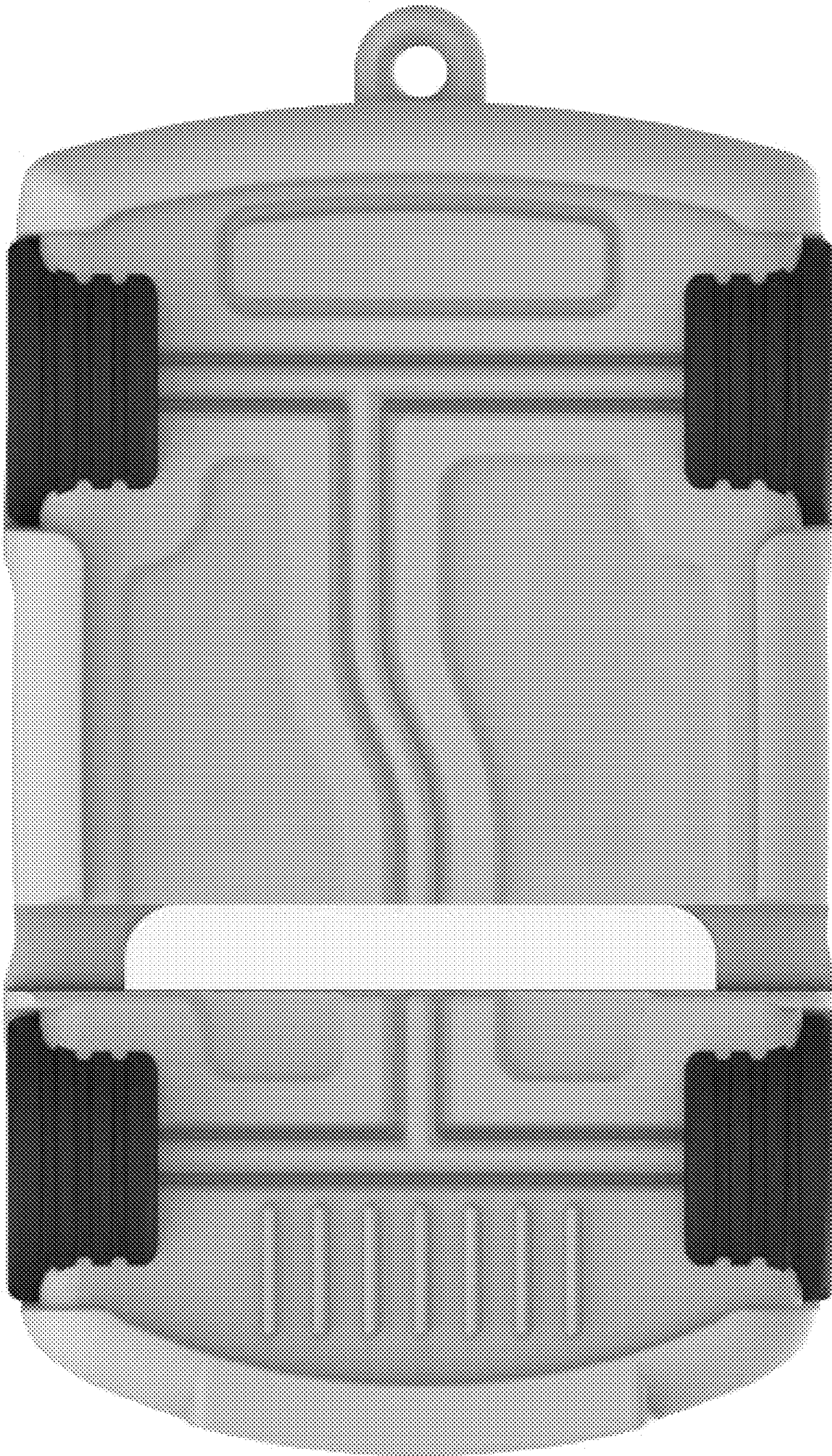


FIG. 7

