

US00D890764S

(12) **United States Design Patent**
Yang

(10) **Patent No.:** **US D890,764 S**

(45) **Date of Patent:** **** Jul. 21, 2020**

(54) **PROTECTIVE CASE FOR MOBILE DEVICE**

D868,070 S * 11/2019 Yang D14/440
D875,098 S * 2/2020 Duffy D14/440
D875,102 S * 2/2020 Gao D14/440

(71) Applicant: **i-Blason LLC**, Alpharetta, GA (US)

* cited by examiner

(72) Inventor: **Xiaoqing Yang**, Alpharetta, GA (US)

Primary Examiner — Cynthia R Underwood

(73) Assignee: **i-Blason LLC**, Alpharetta, GA (US)

(74) *Attorney, Agent, or Firm* — Wang Law Firm, Inc.

(**) Term: **15 Years**

(57) **CLAIM**

(21) Appl. No.: **29/653,004**

The ornamental design for a protective case for a mobile device, as shown and described.

(22) Filed: **Jun. 12, 2018**

DESCRIPTION

(51) **LOC (12) Cl.** **14-02**

(52) **U.S. Cl.**
USPC **D14/440**

(58) **Field of Classification Search**
USPC D14/440, 447, 250; 206/45.23, 320,
206/45.2; 361/679.55; 294/25; 224/218
CPC ... G06F 1/1628; G06F 1/1626; A47B 23/044;
H04B 1/3888
See application file for complete search history.

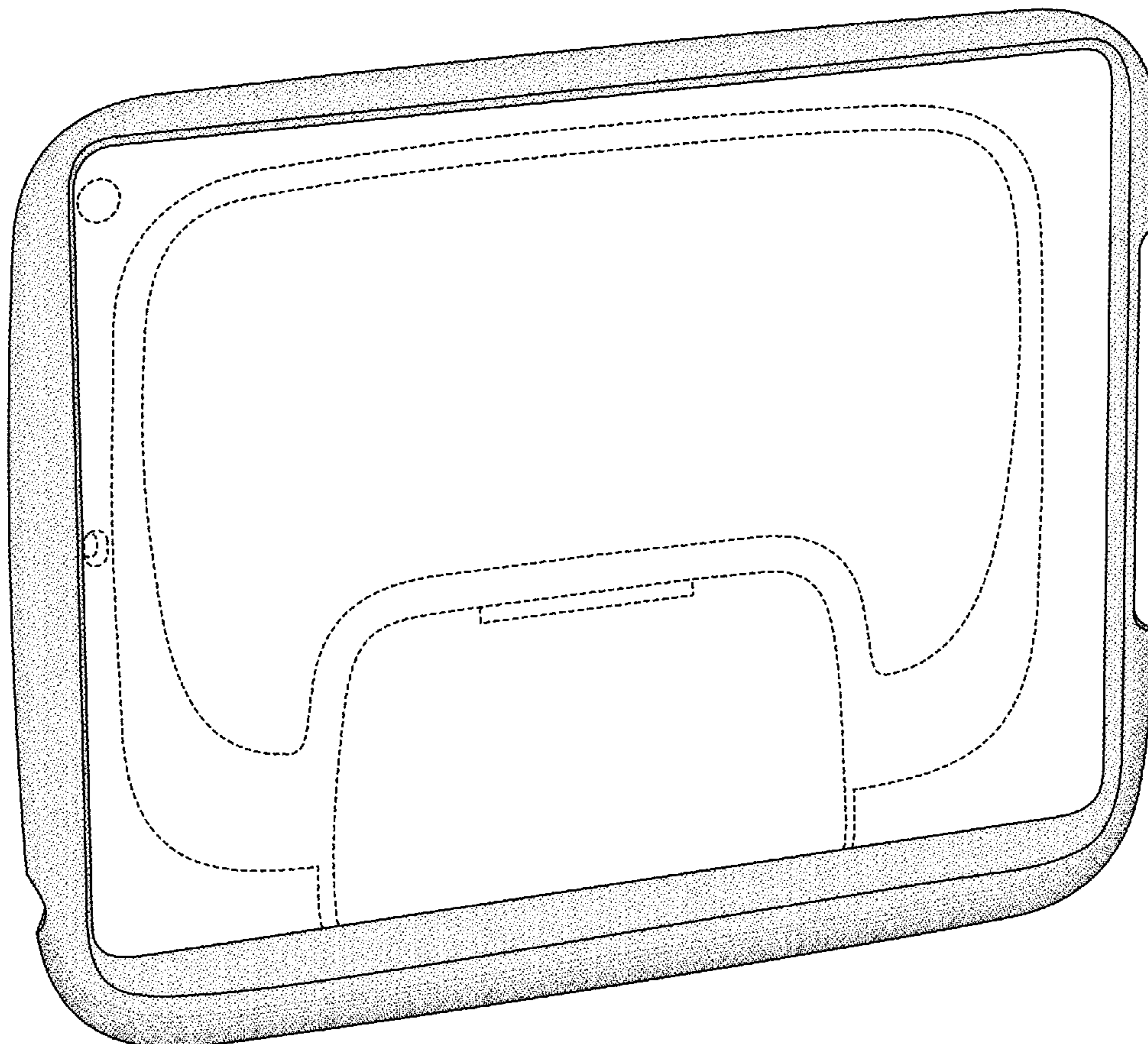
FIG. 1 is an isometric view of my new design for a protective case;
FIG. 2 is a front elevation view thereof;
FIG. 3 is a rear elevation view thereof;
FIG. 4 is a right side elevation view thereof;
FIG. 5 is a left side elevation view thereof;
FIG. 6 is a top plan view thereof;
FIG. 7 is a bottom plan view thereof;
FIG. 8 is a cross-section view from line 8-8 on FIG. 3;
FIG. 9 is a cross-section view from line 9-9 on FIG. 3; and,
FIG. 10 is a cross-section view from line 10-10 on FIG. 3.
Dashed broken lines indicate environmental structure and form no part of the claimed design.

(56) **References Cited**

U.S. PATENT DOCUMENTS

D789,937 S * 6/2017 Zhang D14/440
D854,023 S * 7/2019 Yang D14/440
D863,317 S * 10/2019 Piper D14/440

1 Claim, 6 Drawing Sheets



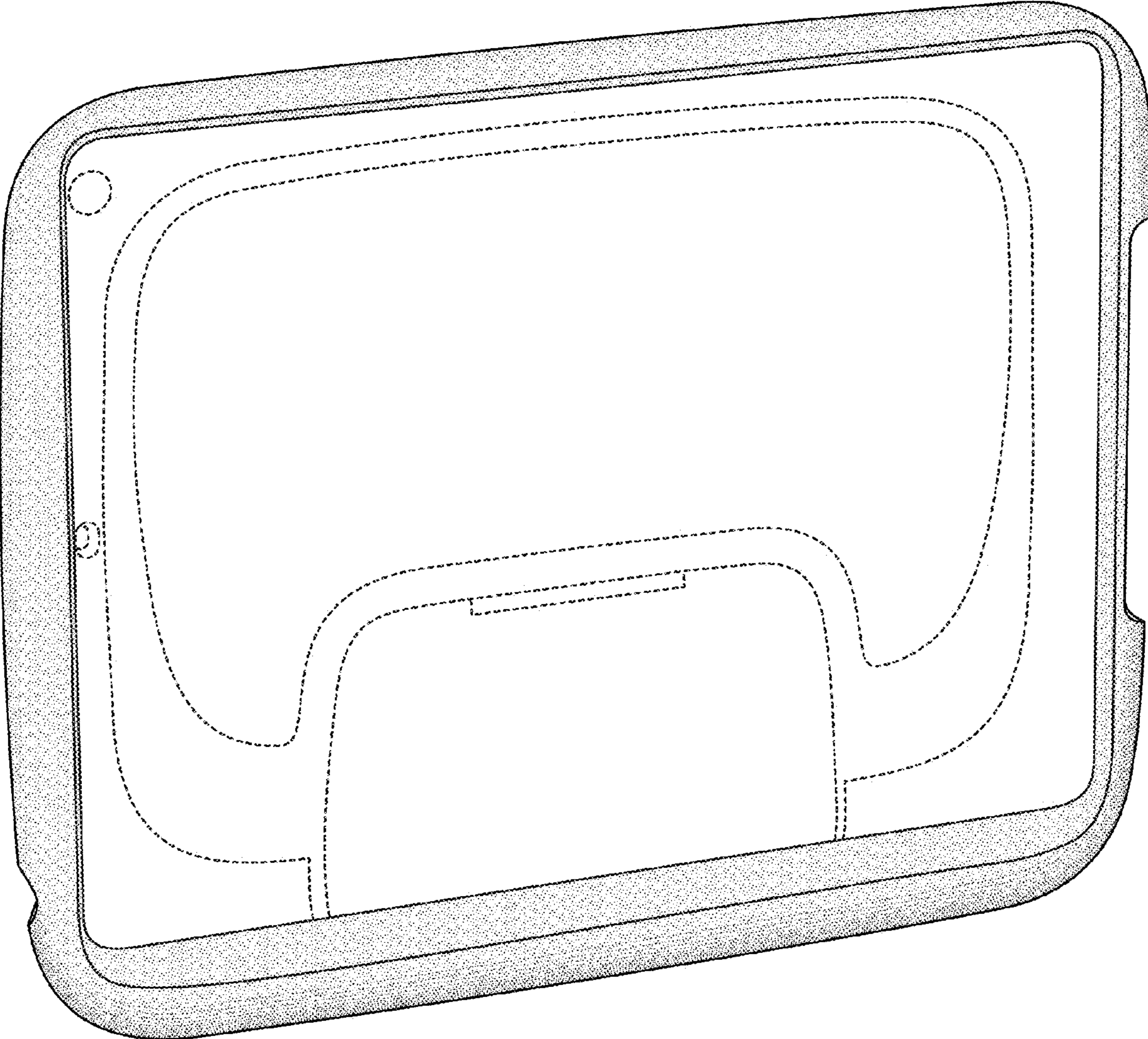


FIG. 1

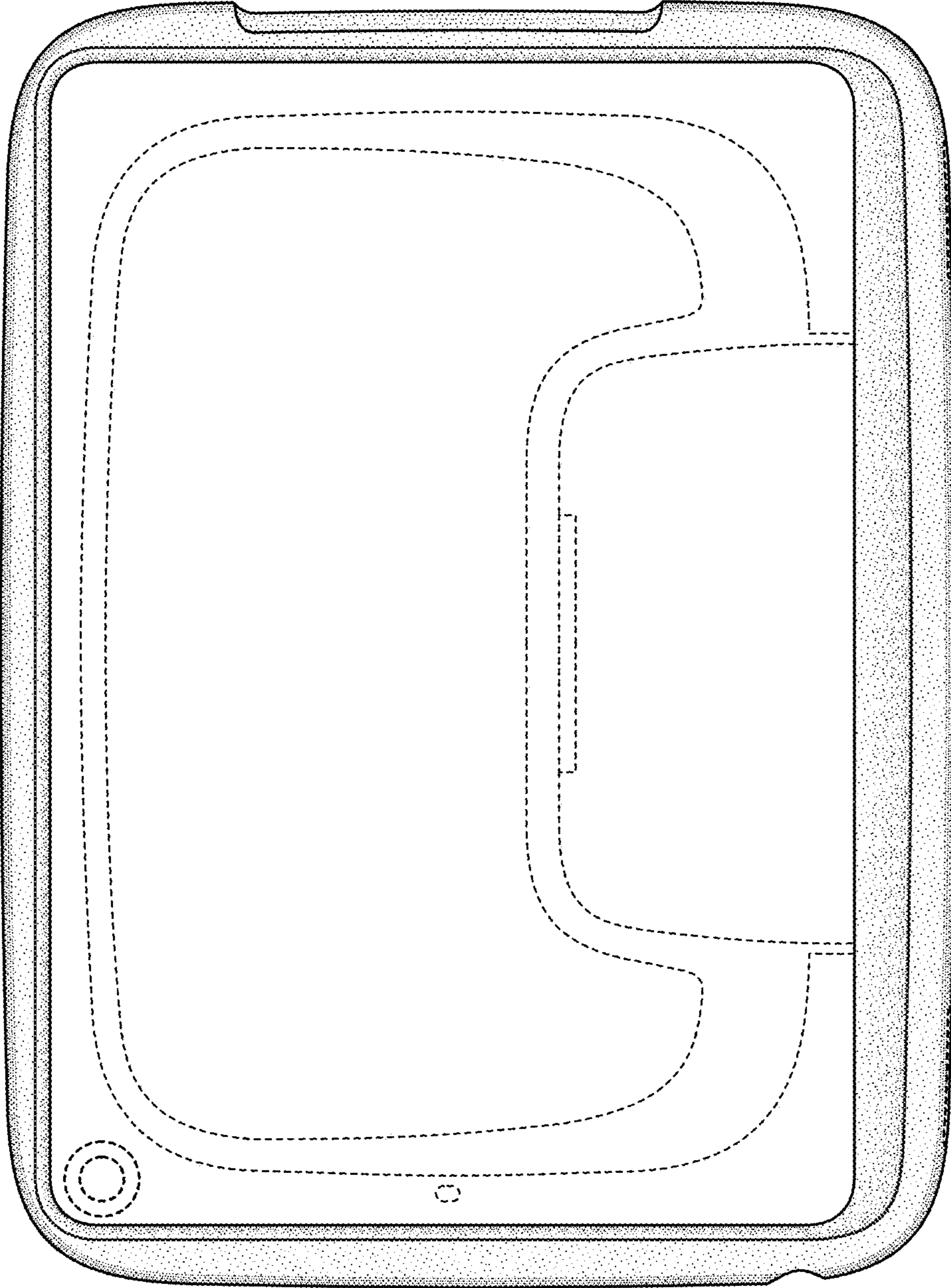


FIG. 2

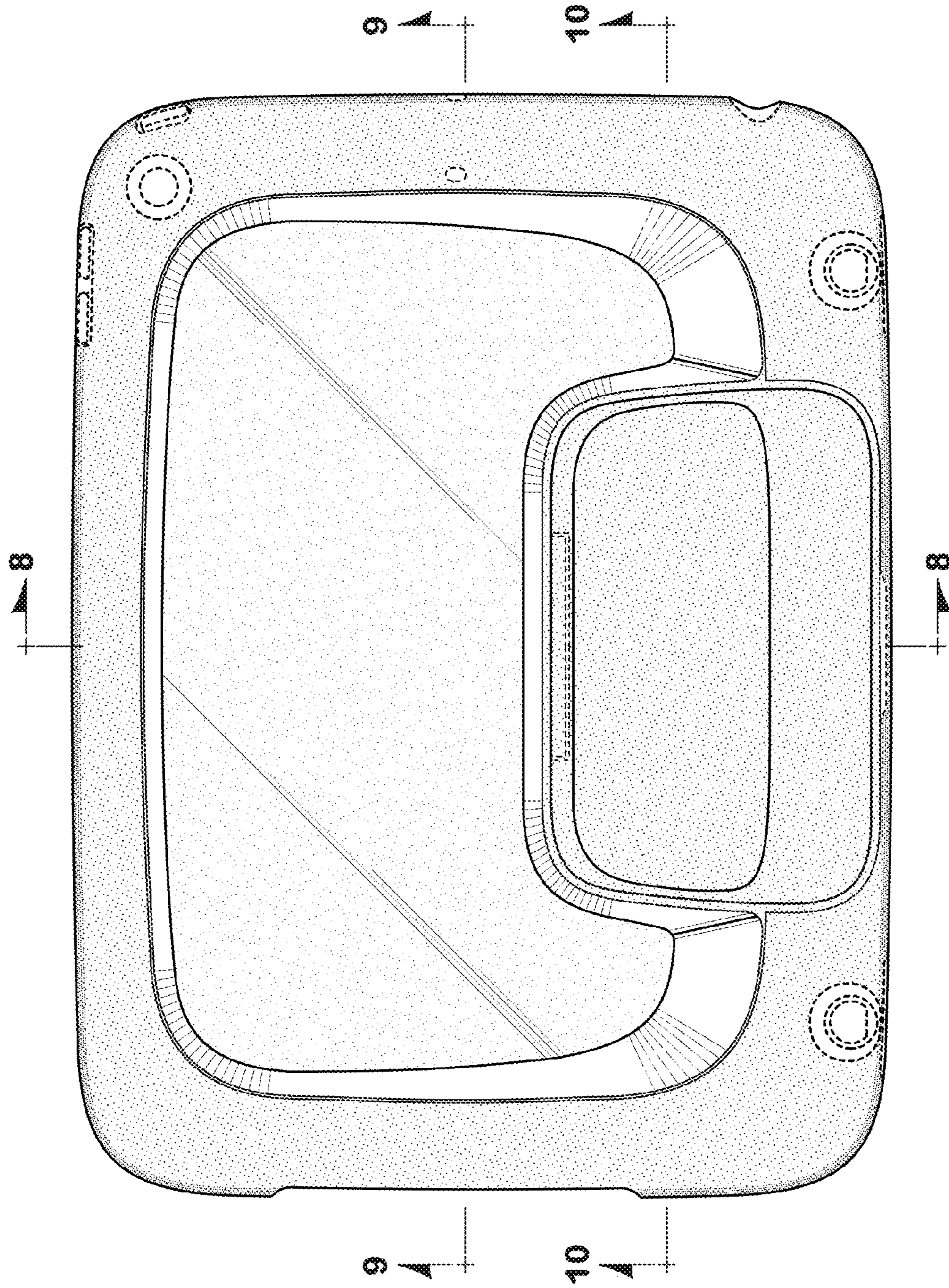


FIG. 3



FIG. 4



FIG. 5

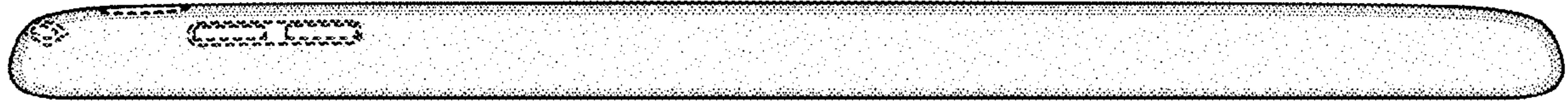


FIG. 6

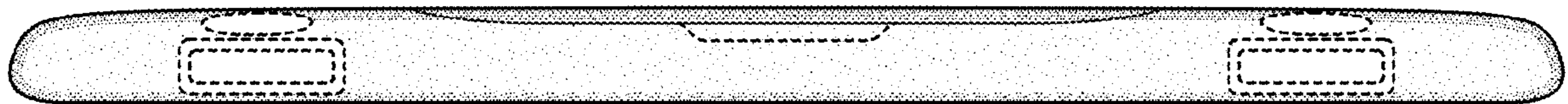


FIG. 7



FIG. 8

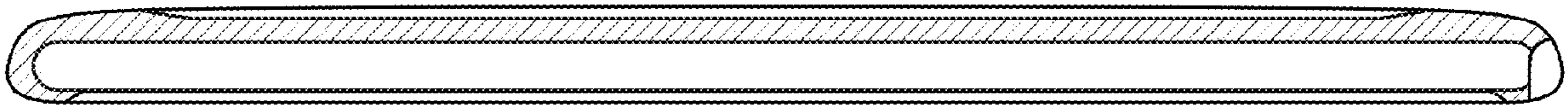


FIG. 9

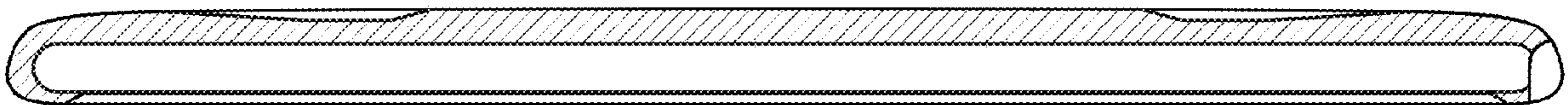


FIG. 10