



US00D890760S

(12) **United States Design Patent**  
**Menendez et al.**

(10) **Patent No.:** **US D890,760 S**  
(45) **Date of Patent:** **\*\* Jul. 21, 2020**

(54) **INFORMATION HANDLING SYSTEM DOCK**

(71) Applicant: **Dell Products L.P.**, Round Rock, TX (US)

(72) Inventors: **Mark David Menendez**, Austin, TX (US); **Paul J. Doczy**, Austin, TX (US)

(73) Assignee: **Dell Products L.P.**, Round Rock, TX (US)

(\*\*) Term: **15 Years**

(21) Appl. No.: **29/680,801**

(22) Filed: **Feb. 20, 2019**

(51) **LOC (12) Cl.** ..... **14-02**

(52) **U.S. Cl.**  
USPC ..... **D14/434**

(58) **Field of Classification Search**  
USPC ... D14/434, 432, 433, 435, 435.1, 356, 357, D14/358, 440, 447, 300, 301, 302, 314, D14/348, 389, 363, 365, 251-253, 451, D14/452, 454, 217, 240, 299, 496, 242, D14/204, 125, 168, 171; D13/103, 107, D13/108, 184, 110, 123, 133, 135; D21/324, 332, 333  
CPC ..... G06F 1/16; G06F 1/1632; G06F 1/266; G06F 13/00; G06F 13/38; G06F 13/382; G06F 13/385; G06F 13/387; G06F 3/065; G06F 9/541; G06F 2213/3814; G06F 2213/40; G06F 2213/4004; H01R 13/512; H01R 13/62

See application file for complete search history.

(56) **References Cited**

**U.S. PATENT DOCUMENTS**

D296,440 S \* 6/1988 Smith ..... D14/432  
D385,787 S \* 11/1997 Takano ..... D9/432  
5,729,478 A \* 3/1998 Ma ..... G06F 1/1632  
361/679.41

6,321,340 B1 \* 11/2001 Shin ..... G06F 1/1632  
713/310  
6,669,513 B2 \* 12/2003 Huang ..... G06F 1/266  
361/679.4  
D513,617 S \* 1/2006 Tierney ..... D14/496  
D525,968 S \* 8/2006 Peng ..... D14/300  
(Continued)

**OTHER PUBLICATIONS**

Microsoft Surface Dock. (online) 16pgs. Available as early as Jan. 1, 2016. [retrieved Mar. 24, 2020] [https://www.bhphotovideo.com/c/product/1191330-REG/microsoft\\_pd9\\_00003\\_surface\\_dock.html/reviews](https://www.bhphotovideo.com/c/product/1191330-REG/microsoft_pd9_00003_surface_dock.html/reviews).\*

(Continued)

*Primary Examiner* — Marie D. Fast Horse  
(74) *Attorney, Agent, or Firm* — Zagorin Cave LLP;  
Robert W. Holland

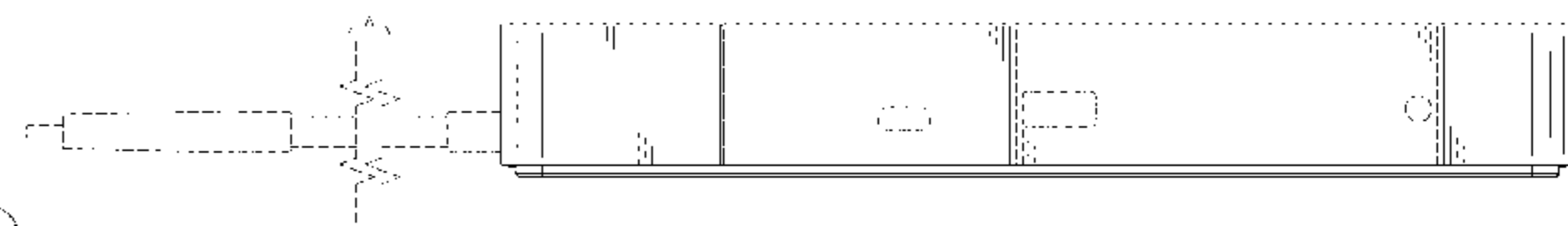
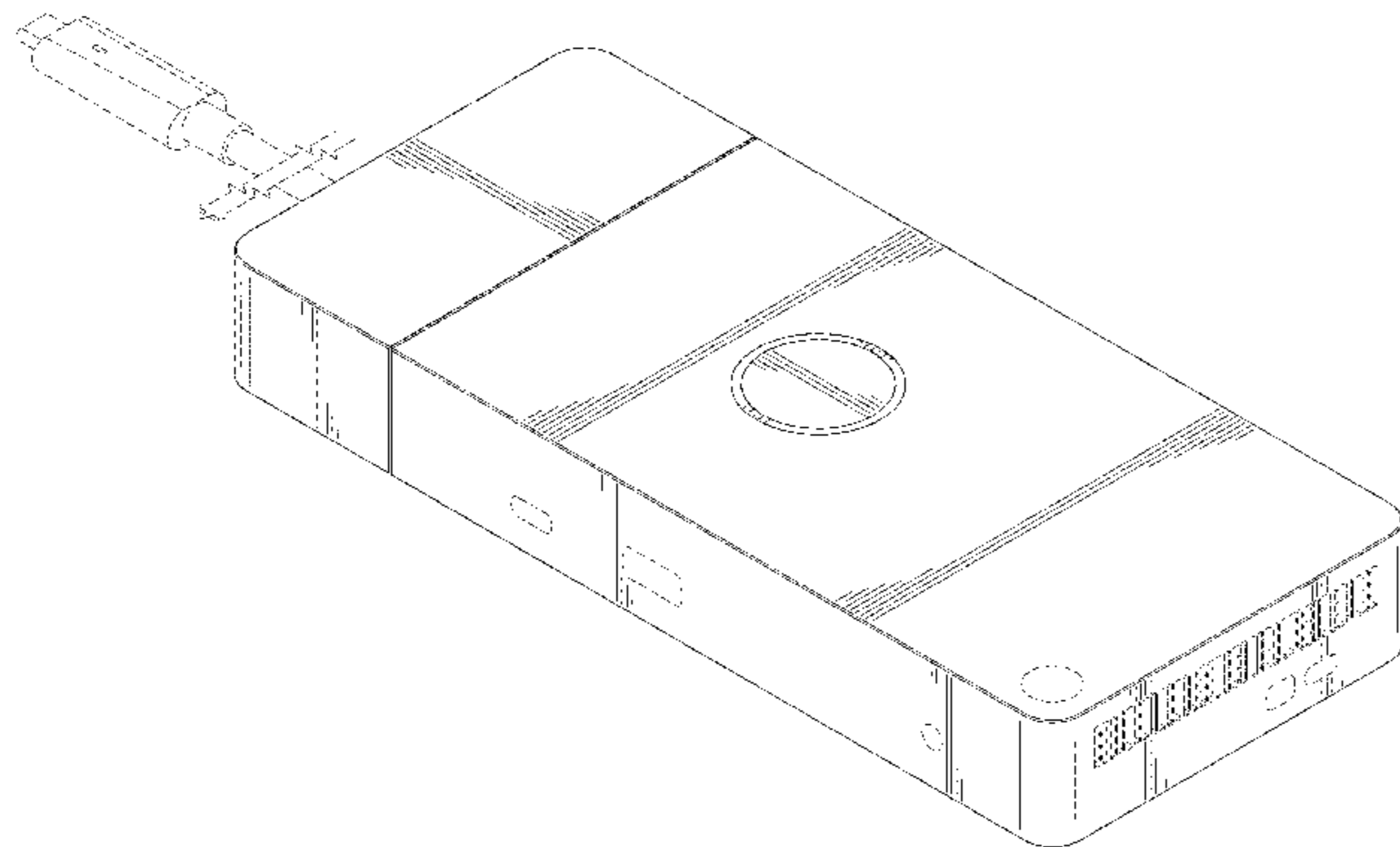
(57) **CLAIM**

We claim the ornamental design for an information handling system dock, as shown and described.

**DESCRIPTION**

FIG. 1 is a front perspective view of the information handling system dock comprising the present invention; FIG. 2 is a front elevation view thereof; FIG. 3 is a rear elevation view thereof; FIG. 4 is a right side view thereof; FIG. 5 is a left side view thereof; FIG. 6 is a top view thereof; and FIG. 7 is a bottom view thereof; and, FIG. 8 is a bottom exploded perspective view thereof. The broken line cord seen in FIGS. 1, 4, 5, 6, and 7 is shown with a symbolic break in its length. The appearance of any portion of the article in between the broken lines, including the broken lines themselves, forms no part of the claim; all other broken lines depict portions of the information handling system dock that form no part of the claimed design.

**1 Claim, 5 Drawing Sheets**



(56)

References Cited

U.S. PATENT DOCUMENTS

D532,786 S \* 11/2006 Iseki ..... D14/365  
 D541,273 S \* 4/2007 Wang ..... D14/356  
 D541,274 S \* 4/2007 Wang ..... D14/356  
 D556,253 S \* 11/2007 Hong ..... D18/50  
 D599,339 S \* 9/2009 Yau ..... D14/300  
 D599,754 S \* 9/2009 Xie ..... D14/125  
 D618,232 S \* 6/2010 O'Neil ..... D14/314  
 D640,646 S \* 6/2011 Wu ..... D14/125  
 D648,270 S \* 11/2011 Jiang ..... D13/108  
 D667,411 S \* 9/2012 Kim ..... D14/434  
 D678,258 S \* 3/2013 Seto ..... D14/240  
 D684,129 S \* 6/2013 Vincent ..... D13/184  
 D686,595 S \* 7/2013 Andre ..... D14/217  
 D691,656 S \* 10/2013 Merrill ..... D19/60  
 D693,798 S \* 11/2013 Chuang ..... D14/240  
 D697,865 S \* 1/2014 Saito ..... D13/103  
 D705,719 S \* 5/2014 Wong ..... D13/103  
 D714,731 S \* 10/2014 Lee ..... D13/147  
 D718,288 S \* 11/2014 Wang ..... D14/240  
 D718,752 S \* 12/2014 Wang ..... D14/240  
 D720,347 S \* 12/2014 Lo ..... D14/348  
 D720,687 S \* 1/2015 Hasbrook ..... D13/103  
 D720,691 S \* 1/2015 Lo ..... D13/110  
 D728,467 S \* 5/2015 Hasbrook ..... D13/103  
 D730,306 S \* 5/2015 Tang ..... D14/125  
 D730,850 S \* 6/2015 Tang ..... D14/125  
 D733,043 S \* 6/2015 Hasbrook ..... D13/103  
 D735,403 S \* 7/2015 Che ..... D13/110  
 D738,301 S \* 9/2015 Symons ..... D13/107  
 D750,055 S \* 2/2016 Abdul-Hadi ..... D14/240  
 D759,012 S \* 6/2016 Golden ..... D14/358  
 D761,138 S \* 7/2016 Manabe ..... D10/65  
 D762,170 S \* 7/2016 Lei ..... D13/108  
 D763,262 S \* 8/2016 Hallar ..... D14/434  
 D777,126 S \* 1/2017 Odryna ..... D14/125  
 D781,955 S \* 3/2017 Kim ..... D18/50  
 D782,476 S \* 3/2017 Yamazaki ..... D14/240  
 D783,610 S \* 4/2017 Zhou ..... D14/240  
 D798,301 S \* 9/2017 Kujawski ..... D14/433  
 D814,434 S \* 4/2018 Li ..... D14/125  
 D828,354 S \* 9/2018 Chuang ..... D14/433  
 D828,356 S \* 9/2018 Xie ..... D14/433  
 D828,817 S \* 9/2018 Odryna ..... D14/125

D828,839 S \* 9/2018 Zhang ..... D14/433  
 D828,840 S \* 9/2018 Zhang ..... D14/433  
 D828,841 S \* 9/2018 Zhang ..... D14/433  
 D834,978 S \* 12/2018 Kristensson ..... D10/104.1  
 D838,241 S \* 1/2019 Xie ..... D13/108  
 D839,876 S \* 2/2019 Turksu ..... D14/435.1  
 D846,515 S \* 4/2019 Hammarstedt ..... D14/125  
 D847,139 S \* 4/2019 Wang ..... D14/433  
 D853,397 S \* 7/2019 Wang ..... D14/435.1  
 D854,018 S \* 7/2019 Liao ..... D14/434  
 D854,020 S \* 7/2019 Liao ..... D14/434  
 D855,029 S \* 7/2019 Odryna ..... D14/125  
 D855,616 S \* 8/2019 Chin ..... D14/433  
 D857,640 S \* 8/2019 Odryna ..... D14/125  
 D864,964 S \* 10/2019 Lyu ..... D14/433  
 D869,390 S \* 12/2019 Li ..... D13/108  
 2003/0148656 A1 \* 8/2003 Huang ..... H01R 13/6658  
 439/501  
 2003/0216069 A1 \* 11/2003 Huang ..... G06F 1/266  
 439/105  
 2018/0165053 A1 \* 6/2018 Kuo ..... G06F 3/1454  
 2019/0204882 A1 \* 7/2019 Tseng ..... G06F 1/1632

OTHER PUBLICATIONS

Lenovo ThinkPad USB-C and Thunderbolt 3 docks unveiled. (online) 8pgs. Posted Dec. 27, 2016. [retrieved Mar. 24, 2020] <https://www.slashgear.com/lenovo-thinkpad-usb-c-and-thunderbolt-3-docks-unveiled-27469045/>.  
 HP USB-C Dock G4—Docking Station. (online) 8pgs. Date First Available Feb. 12, 2018. [retrieved Mar. 24, 2020] <https://www.amazon.com/HP-USB-C-Dock-Chromebook-Elitebook/dp/B079SBBC1B>.  
 StarTech MST30C2HHPD Dual Monitor USB C Dock. (online) 9pgs. Date First Available Dec. 29, 2017 [retrieved Mar. 24, 2020] [https://www.newegg.com/black-startech-mst30c2hhpdp/p/N82E16834977755?reviews=all](https://www.newegg.com/black-startech-mst30c2hhpdp/N82E16834977755?reviews=all).  
 OWC USB-C Dock Universal Docking Station Review. (online) 6pgs Aug. 2017. [retrieved Mar. 24, 2020] <https://www.eteknix.com/owc-usb-c-dock-universal-docking-station-review/>.  
 Tabari, R., "Best Laptop Docking Stations," May 28, 2019, downloaded from <https://www.laptopmag.com/articles/best-docking-stations>, 16 pages.

\* cited by examiner

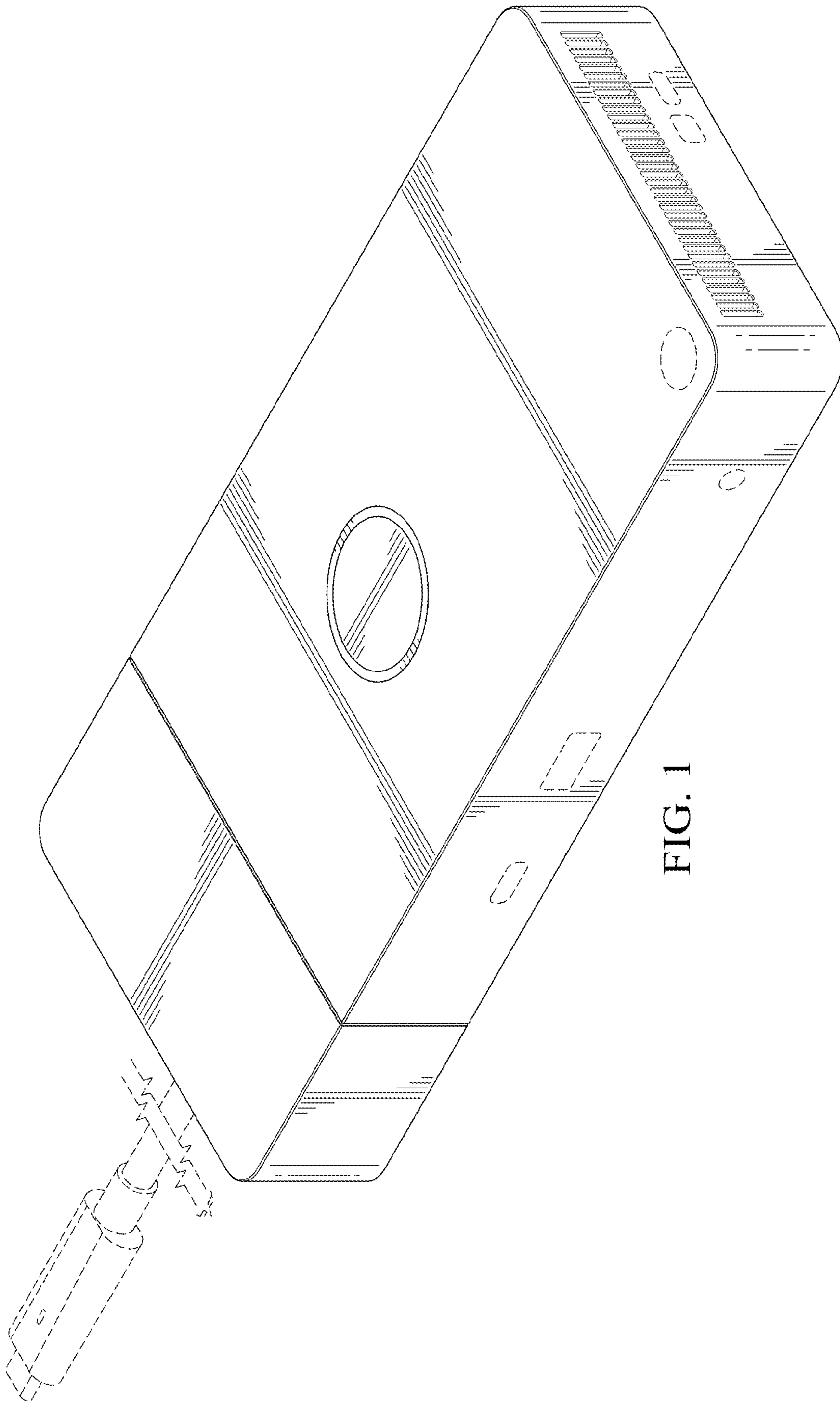


FIG. 1

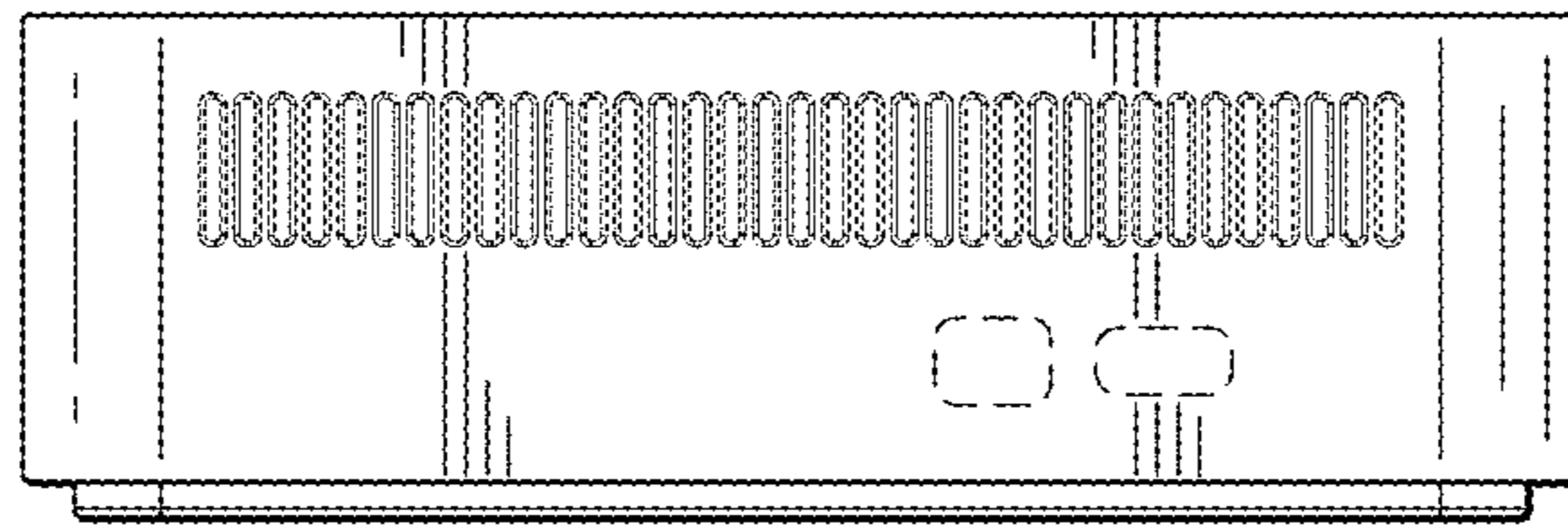


FIG. 2

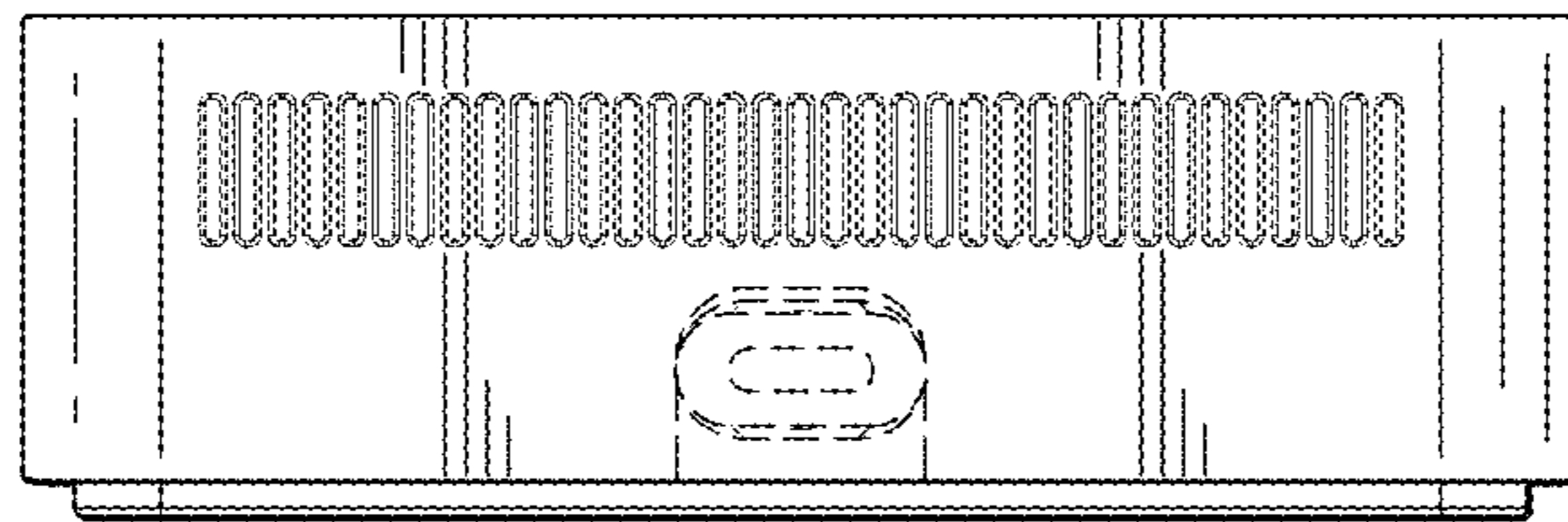


FIG. 3

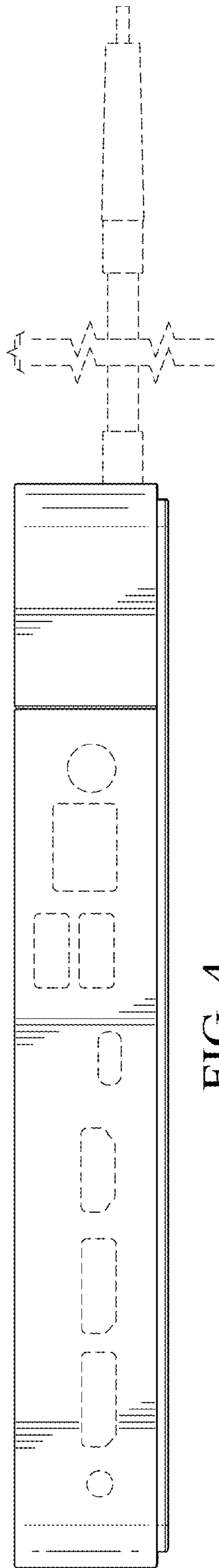


FIG. 4

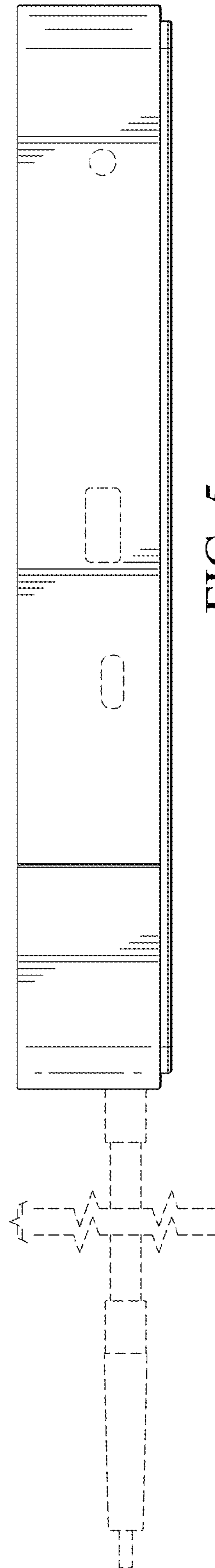


FIG. 5

FIG. 6

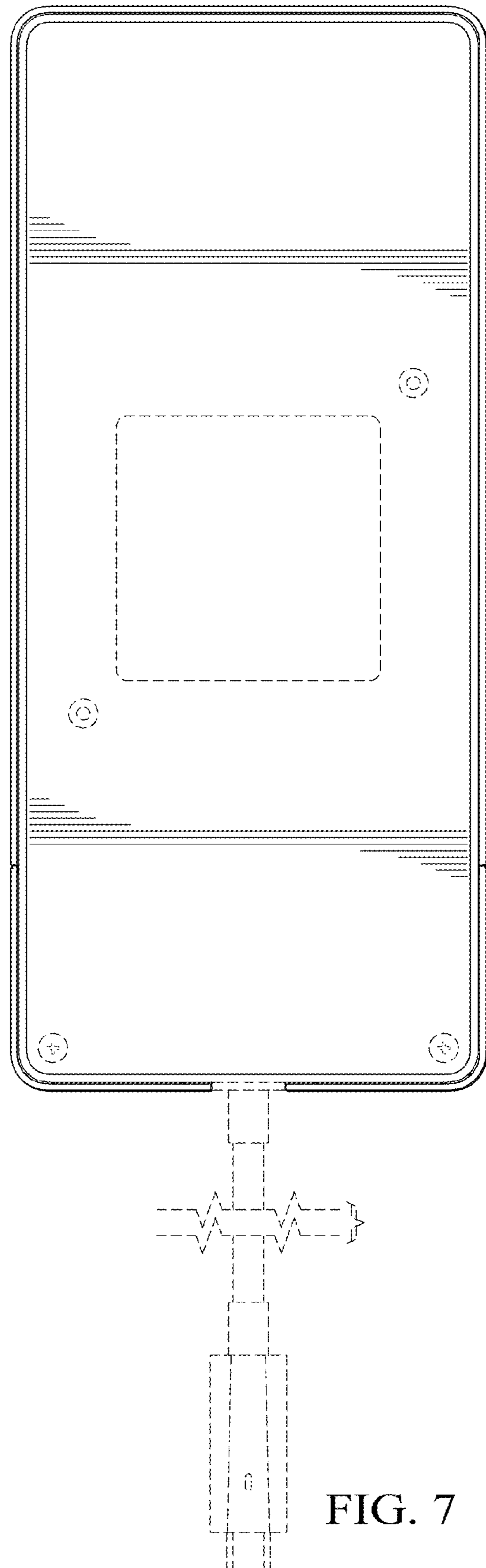
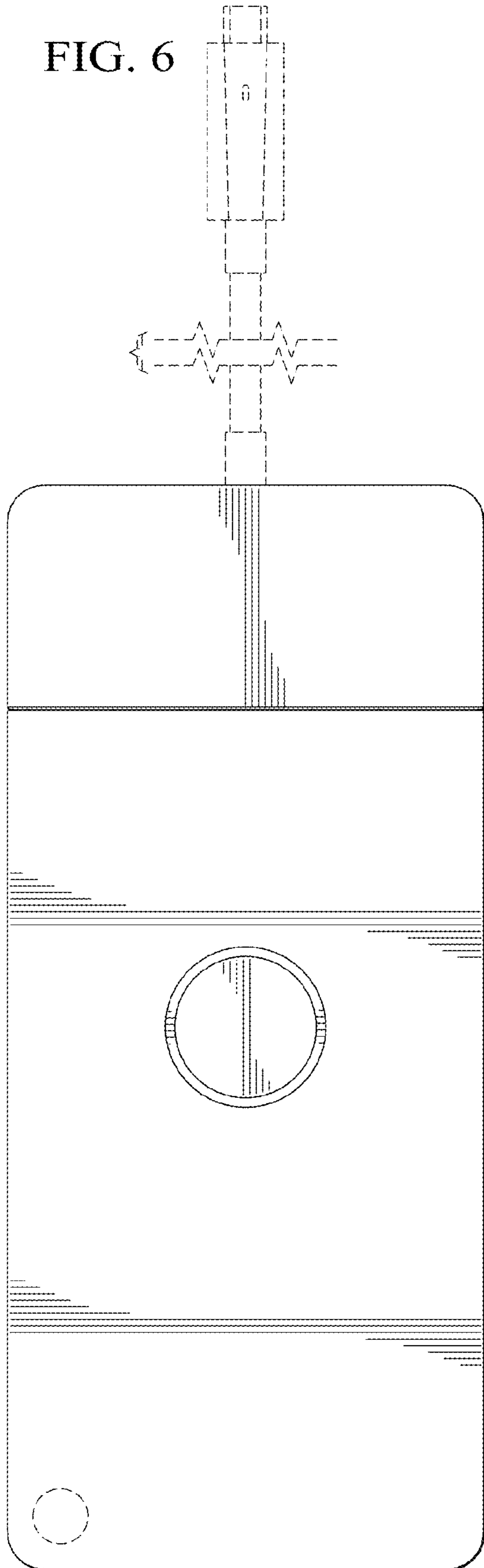


FIG. 7

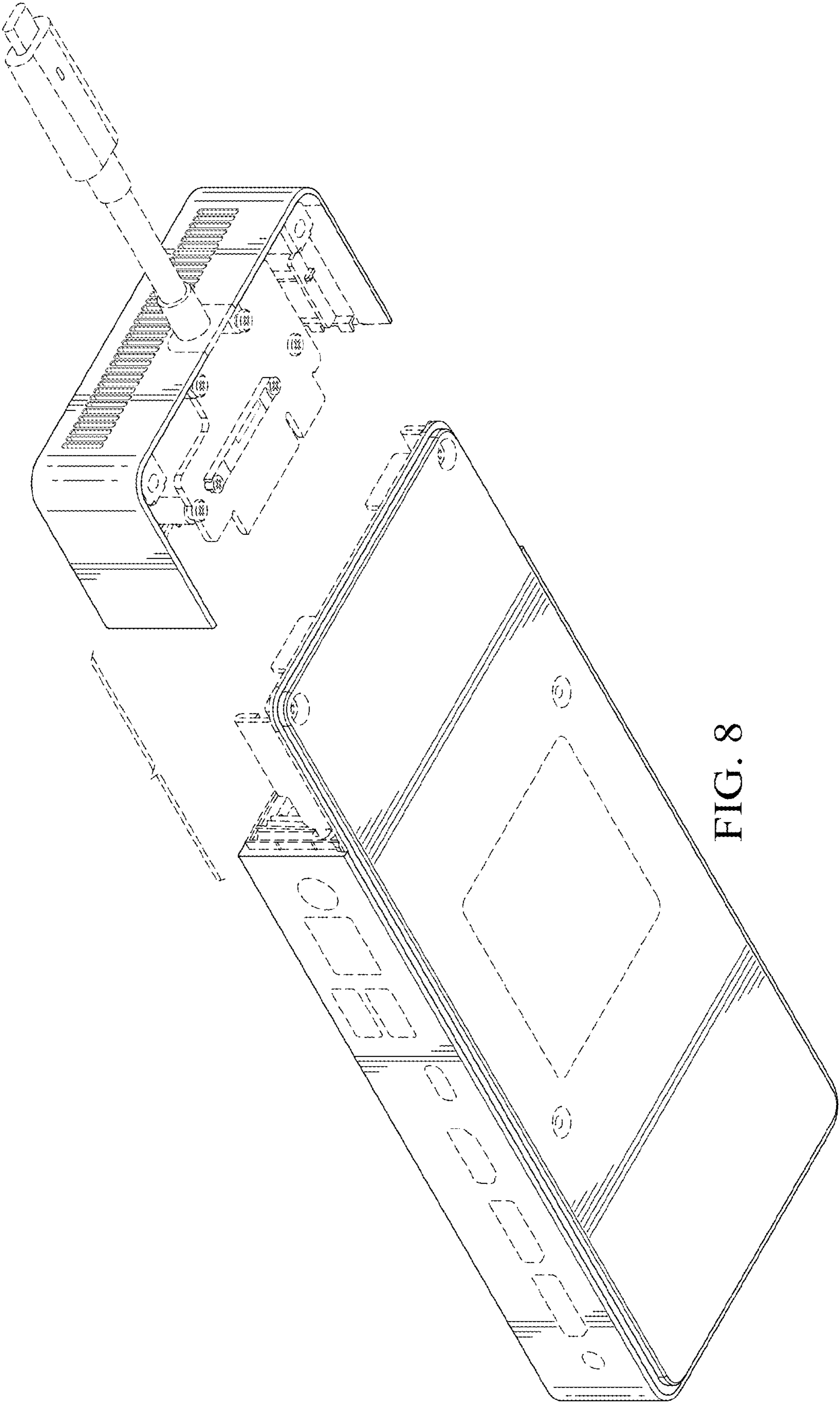


FIG. 8