



US00D890759S

(12) **United States Design Patent**
Fan

(10) **Patent No.:** **US D890,759 S**

(45) **Date of Patent:** **** Jul. 21, 2020**

(54) **CONVERTER**

(71) Applicant: **Jianyun Fan**, Guangdong (CN)

(72) Inventor: **Jianyun Fan**, Guangdong (CN)

(73) Assignee: **Dongguan Huachuang Technology Co. Ltd.**, Dongguan (CN)

(**) Term: **15 Years**

(21) Appl. No.: **29/671,122**

(22) Filed: **Nov. 22, 2018**

(51) **LOC (12) Cl.** **14-02**

(52) **U.S. Cl.**
USPC **D14/433**; D14/357; D14/434

(58) **Field of Classification Search**
USPC ... D14/434, 433, 435, 435.1, 356, 357, 358,
D14/440, 447, 251–253, 432, 451, 452,
D14/454, 217, 240, 299, 496, 171;
D13/103, 107, 108, 184, 110, 123, 133,
D13/135; D21/333
CPC G06F 1/1632; G06F 13/00; G06F 13/38;
G06F 13/382; G06F 13/385; G06F
13/387; G06F 3/065; G06F 9/541; G06F
2213/3814; G06F 2213/40; G06F
2213/4004; H01R 31/06; H01R 31/065;
H01R 27/00; H01R 13/512; H01R 13/62;
H04R 5/04

See application file for complete search history.

(56) **References Cited**

U.S. PATENT DOCUMENTS

8,419,479 B2 * 4/2013 Vroom H01R 13/512
361/679.45
D813,875 S * 3/2018 Liao D14/434
D830,366 S * 10/2018 Turksu D14/433

D844,618 S * 4/2019 Liao D14/434
D847,139 S * 4/2019 Wang D14/433
D854,544 S * 7/2019 Liao D14/434
D855,054 S * 7/2019 Turksu D14/433
D855,616 S * 8/2019 Chin D14/433
D864,205 S * 10/2019 Wang D14/433
D864,208 S * 10/2019 Duan D14/433
D864,964 S * 10/2019 Lyu D14/433
D866,557 S * 11/2019 Xiong D14/433
2003/0216069 A1 * 11/2003 Huang G06F 1/266
439/105

OTHER PUBLICATIONS

USB Hubs and Converters and Type-C Docking Stations. (Design—© Questel) orbit.com. [online PDF] 19 pgs. Print Dates Range from Jan. 12, 2018 through Aug. 28, 2019. [retrieved Jan. 17, 2020] <https://sobjprd.questel.fr/export/QPTUJ214/pdf2/f39b47a0-4e45-4d8b-8cac-94aff9a368e4-190812.pdf>.*

* cited by examiner

Primary Examiner — Marie D. Fast Horse

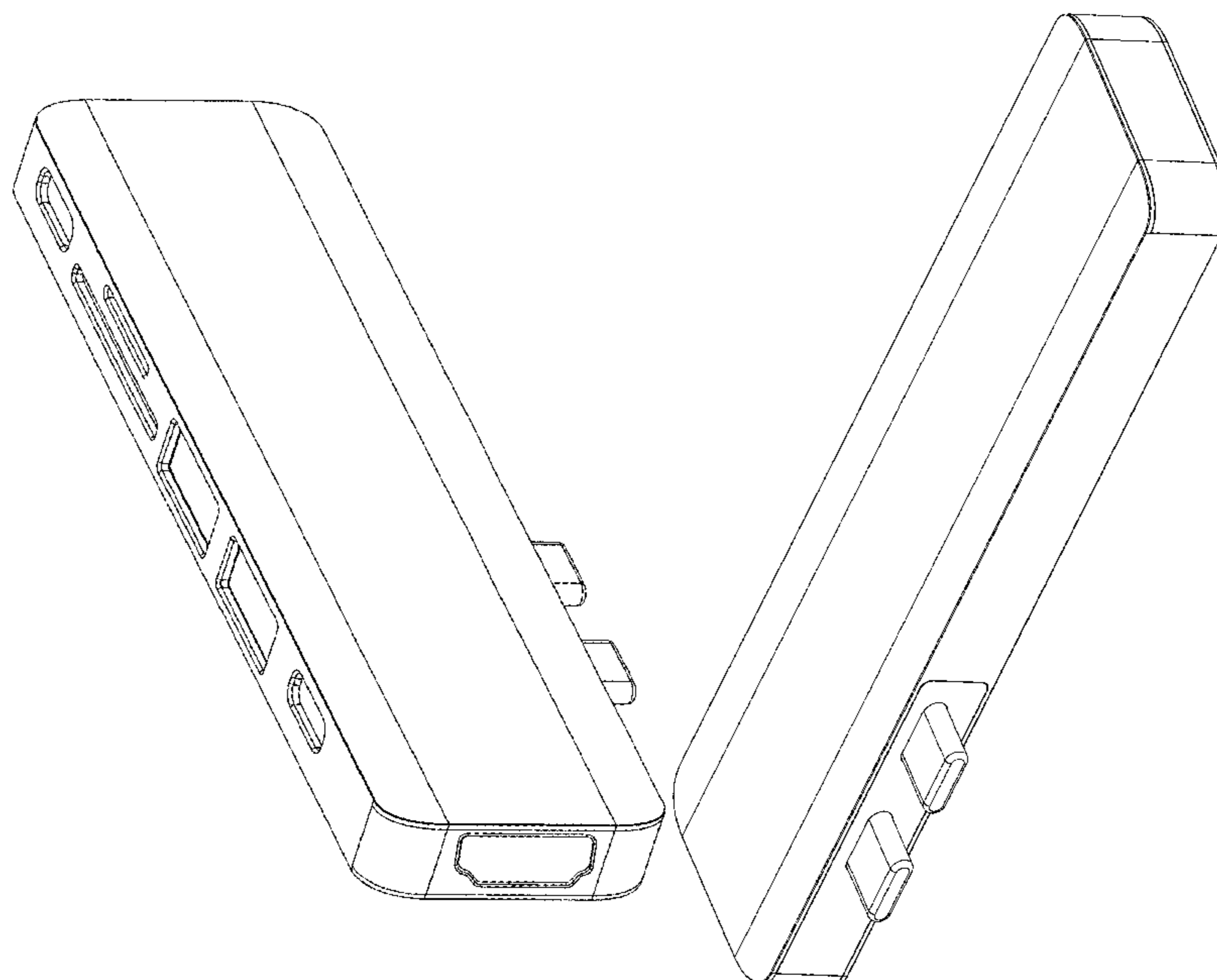
(57) **CLAIM**

The ornamental design for a converter, as shown and described.

DESCRIPTION

FIG. 1 is a perspective view of a converter showing my new design;
FIG. 2 is another perspective view thereof;
FIG. 3 is a front elevational view thereof;
FIG. 4 is a rear elevational view thereof;
FIG. 5 is a left side view thereof;
FIG. 6 is a right side view thereof;
FIG. 7 is a top plan view thereof; and,
FIG. 8 is a bottom plan view thereof.

1 Claim, 5 Drawing Sheets



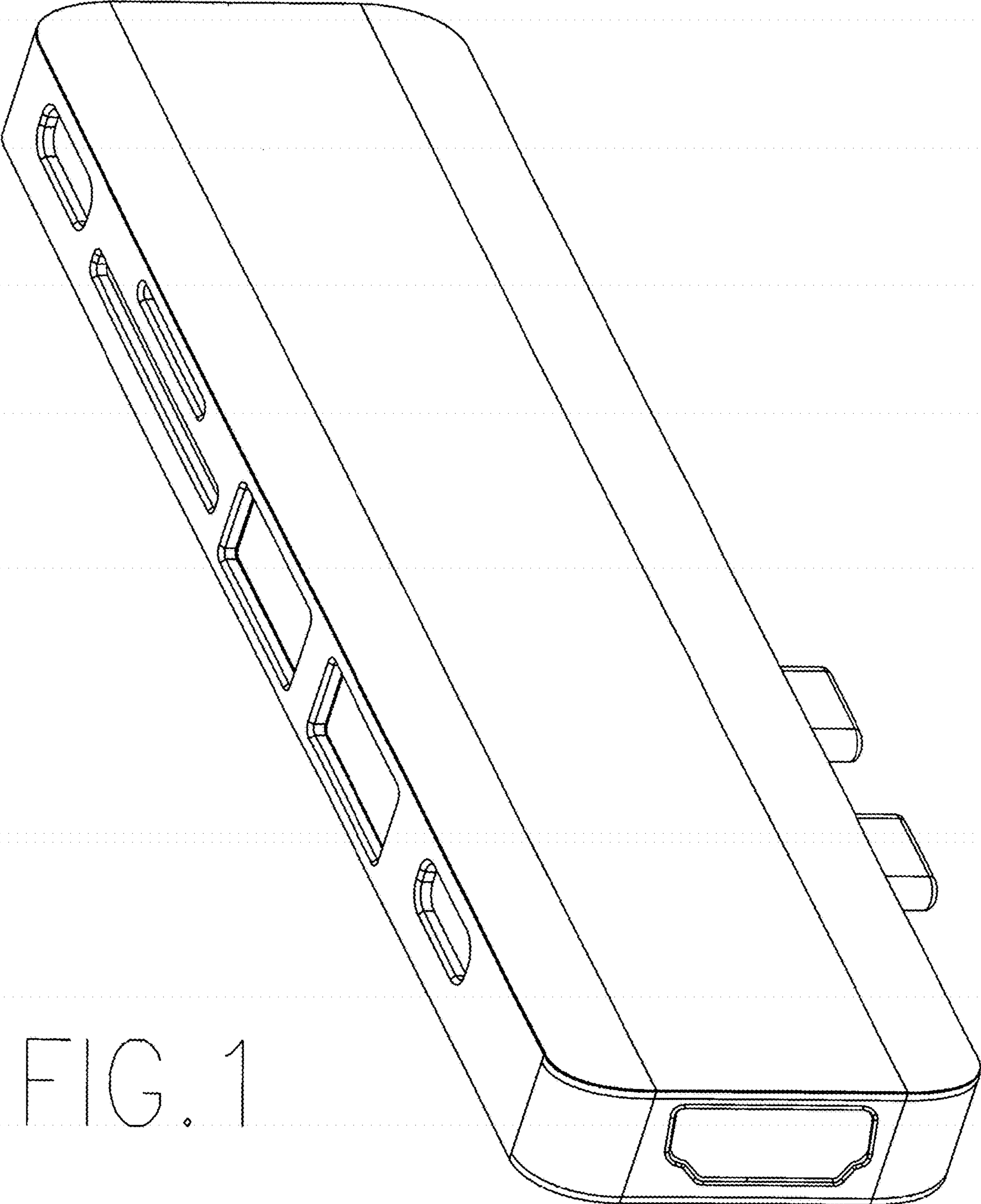


FIG. 1

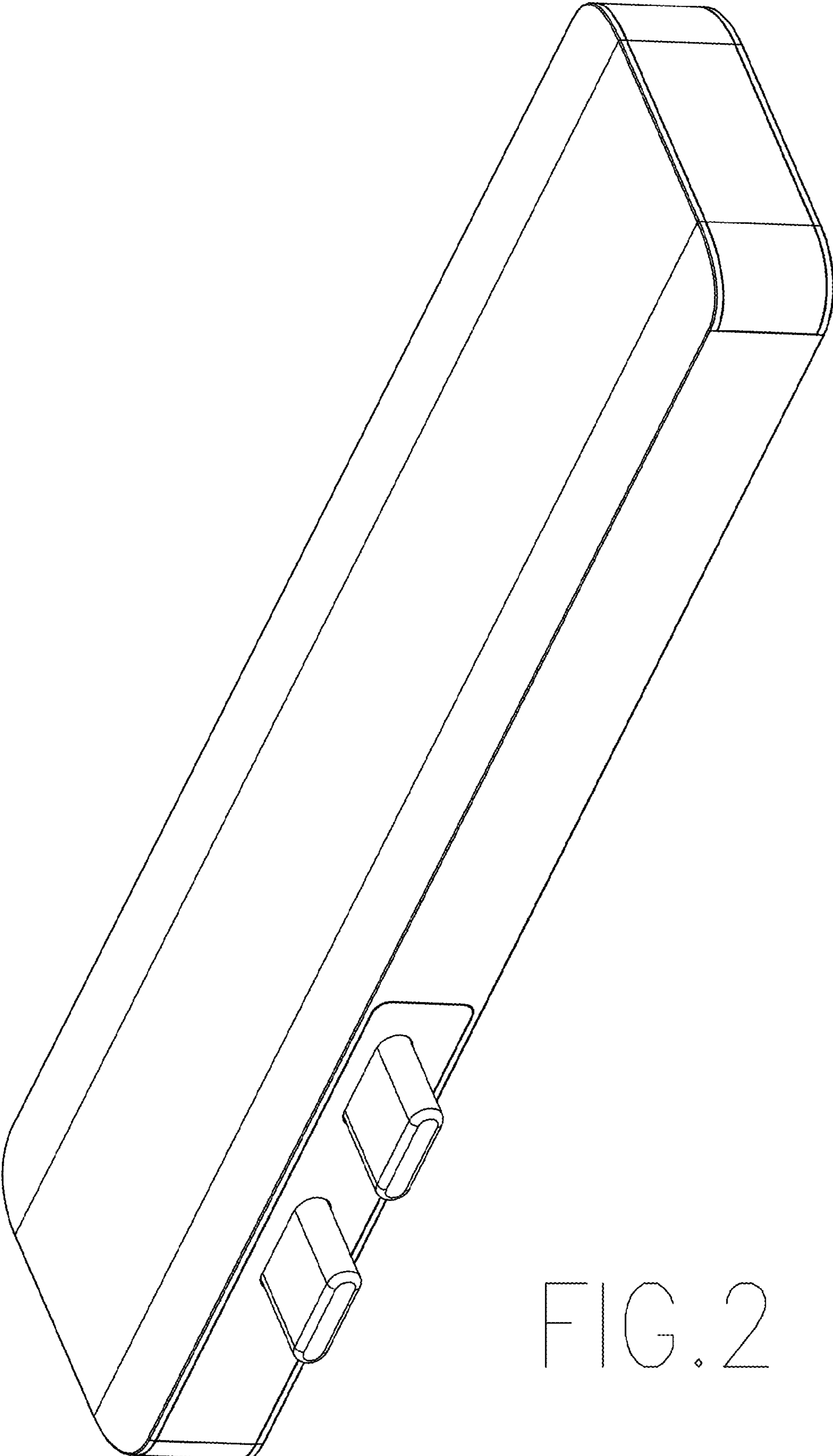


FIG. 2

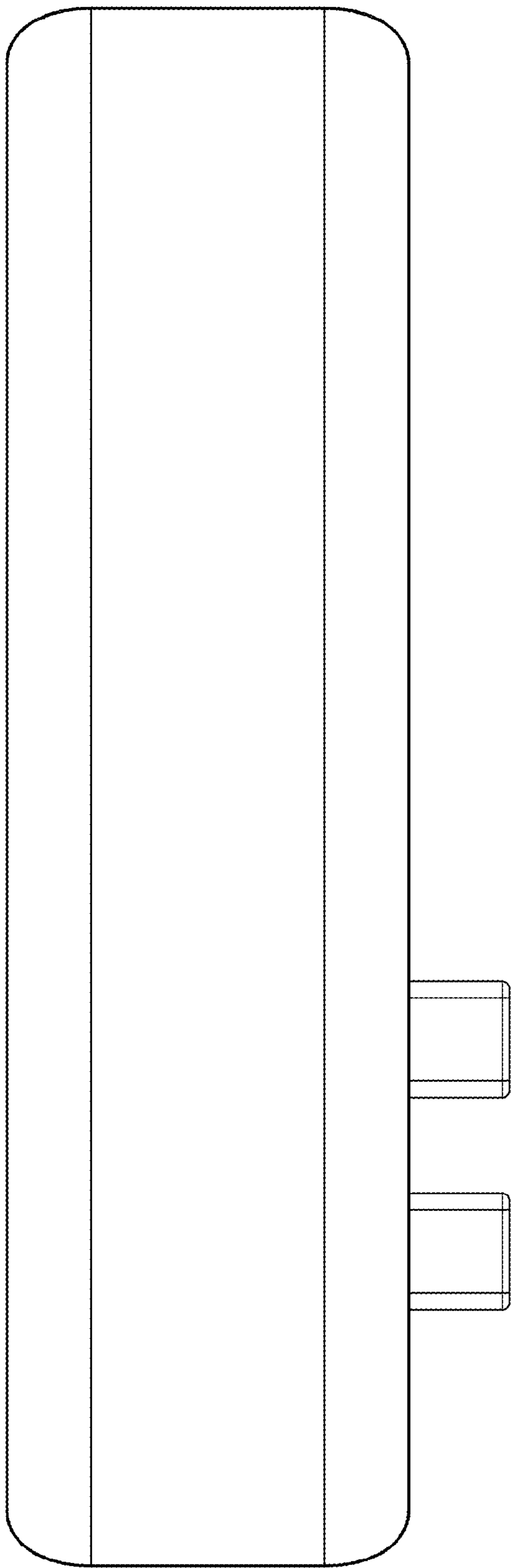


FIG. 3

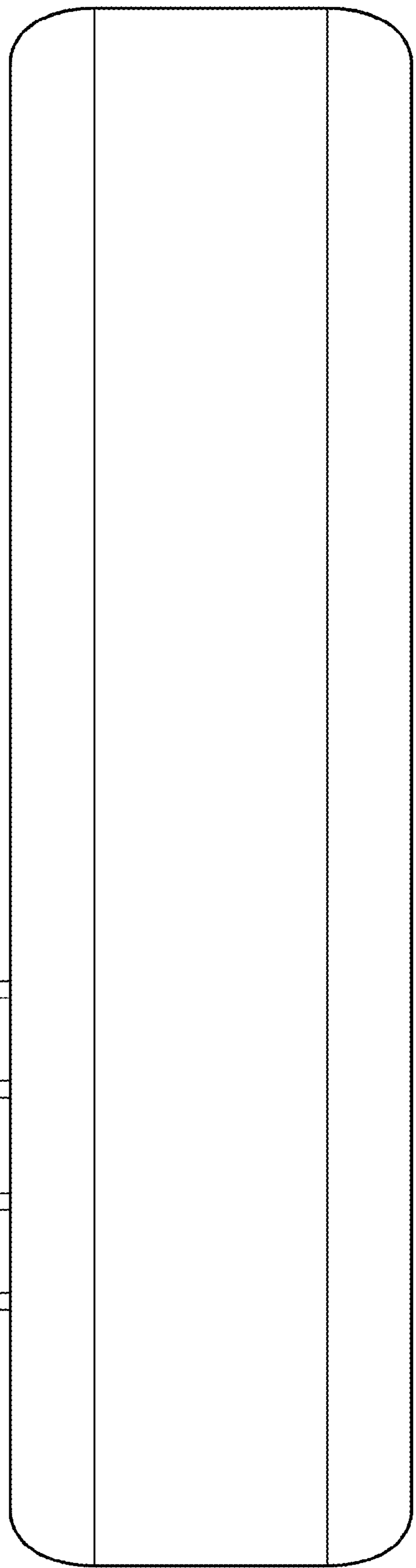


FIG. 4

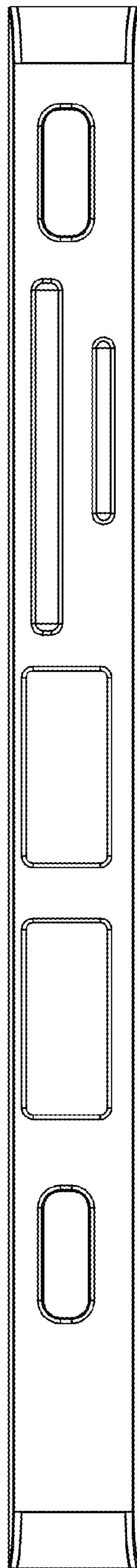


FIG. 5

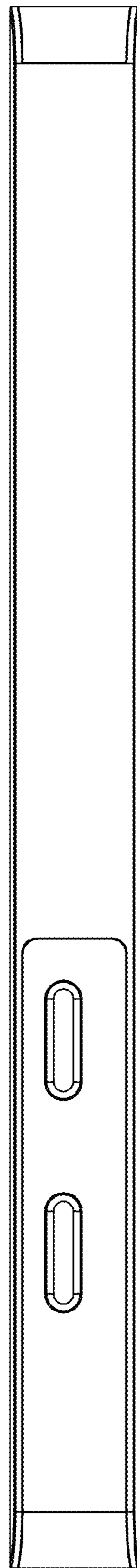


FIG. 6

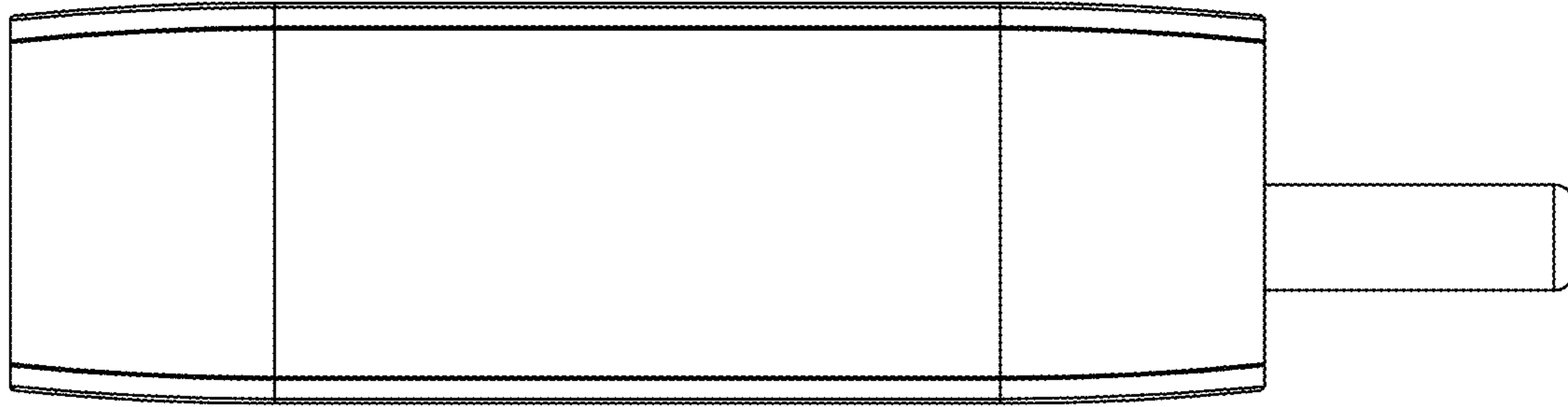


FIG. 7

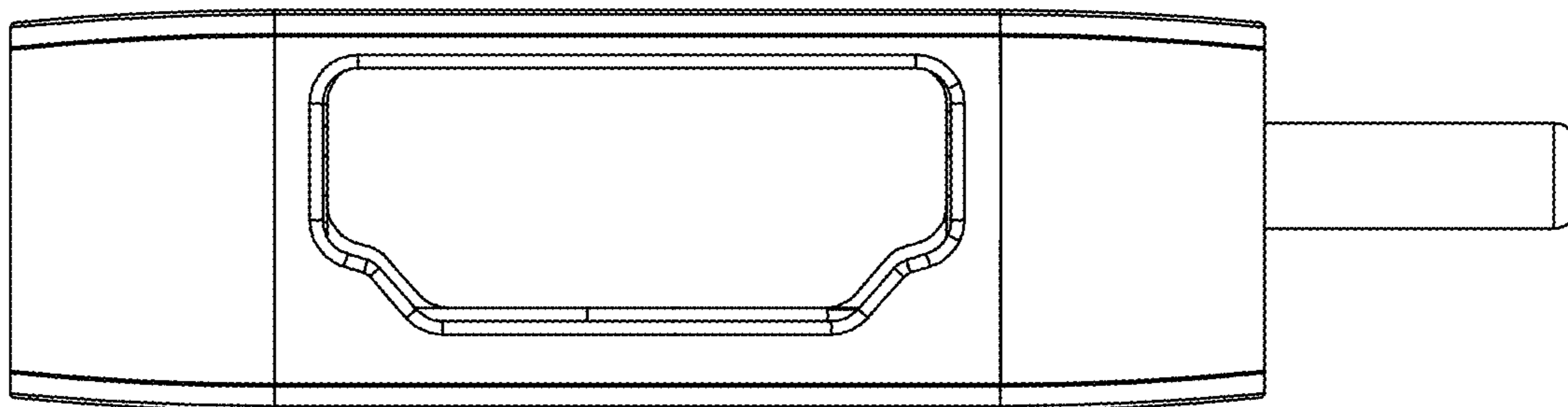


FIG. 8