



US00D890758S

(12) **United States Design Patent**
Woo

(10) **Patent No.:** **US D890,758 S**
(45) **Date of Patent:** **** Jul. 21, 2020**

- (54) **JOYSTICK**
- (71) Applicant: **Chu Kwok Woo**, Kowloon (HK)
- (72) Inventor: **Chu Kwok Woo**, Kowloon (HK)
- (73) Assignee: **Group Intellect Technology Limited**,
Kowloon (HK)
- (**) Term: **15 Years**
- (21) Appl. No.: **29/677,431**
- (22) Filed: **Jan. 21, 2019**
- (51) **LOC (12) Cl.** **14-02**
- (52) **U.S. Cl.**
USPC **D14/413**
- (58) **Field of Classification Search**
USPC D14/400–418, 426–431, 454–455, 203.3,
D14/218, 300, 356, 358, 383, 388, 399,
D14/432; D21/324, 328, 331, 333, 566;
D13/162, 162.1, 168, 171; D10/78, 103
CPC .. A63F 9/02; A63F 9/24; A63F 9/0291; A63F
9/0252; A63F 13/00; A63F 13/23; A63F
13/24; A63F 13/26; A63F 13/98; A63F
13/02; A63F 13/12; G05G 9/047; G05G
9/04792

See application file for complete search history.

(56) **References Cited**

U.S. PATENT DOCUMENTS

- D269,609 S * 7/1983 Kim D14/415
- 4,470,320 A * 9/1984 Kim G05G 9/047
200/6 A
- 4,607,159 A * 8/1986 Goodson G05G 9/047
250/221
- D292,299 S * 10/1987 Thomas D13/169
- D297,952 S * 10/1988 Ishiwata D13/169
- 4,856,785 A * 8/1989 Lantz G05G 9/047
250/221

- 4,870,389 A * 9/1989 Ishiwata G05G 9/047
463/38
- 4,926,011 A * 5/1990 Saito G05G 9/04792
200/6 A
- D318,074 S * 7/1991 Haung D14/413
- 5,117,102 A * 5/1992 Mitchell G01D 5/34
250/221
- D337,792 S * 7/1993 Tse D14/413
- D342,763 S * 12/1993 Tse D14/413
- D351,870 S * 10/1994 Leung D14/413
- D372,941 S * 8/1996 Oikawa D14/413
- D378,302 S * 3/1997 Kin-Man Tse D14/413
- 5,675,359 A * 10/1997 Anderson G05G 9/047
200/6 R
- D387,094 S * 12/1997 Muraki D14/400
- D389,198 S * 1/1998 Hama D14/413
- 5,868,620 A * 2/1999 Wada A63F 13/06
463/38
- D414,761 S * 10/1999 Oikawa D14/413
- 5,979,268 A * 11/1999 Freberg G05G 9/047
74/523
- 6,029,537 A * 2/2000 Nagao F16H 59/044
74/473.33

(Continued)

Primary Examiner — Jeffrey D Asch
Assistant Examiner — Rebekah A Caruso

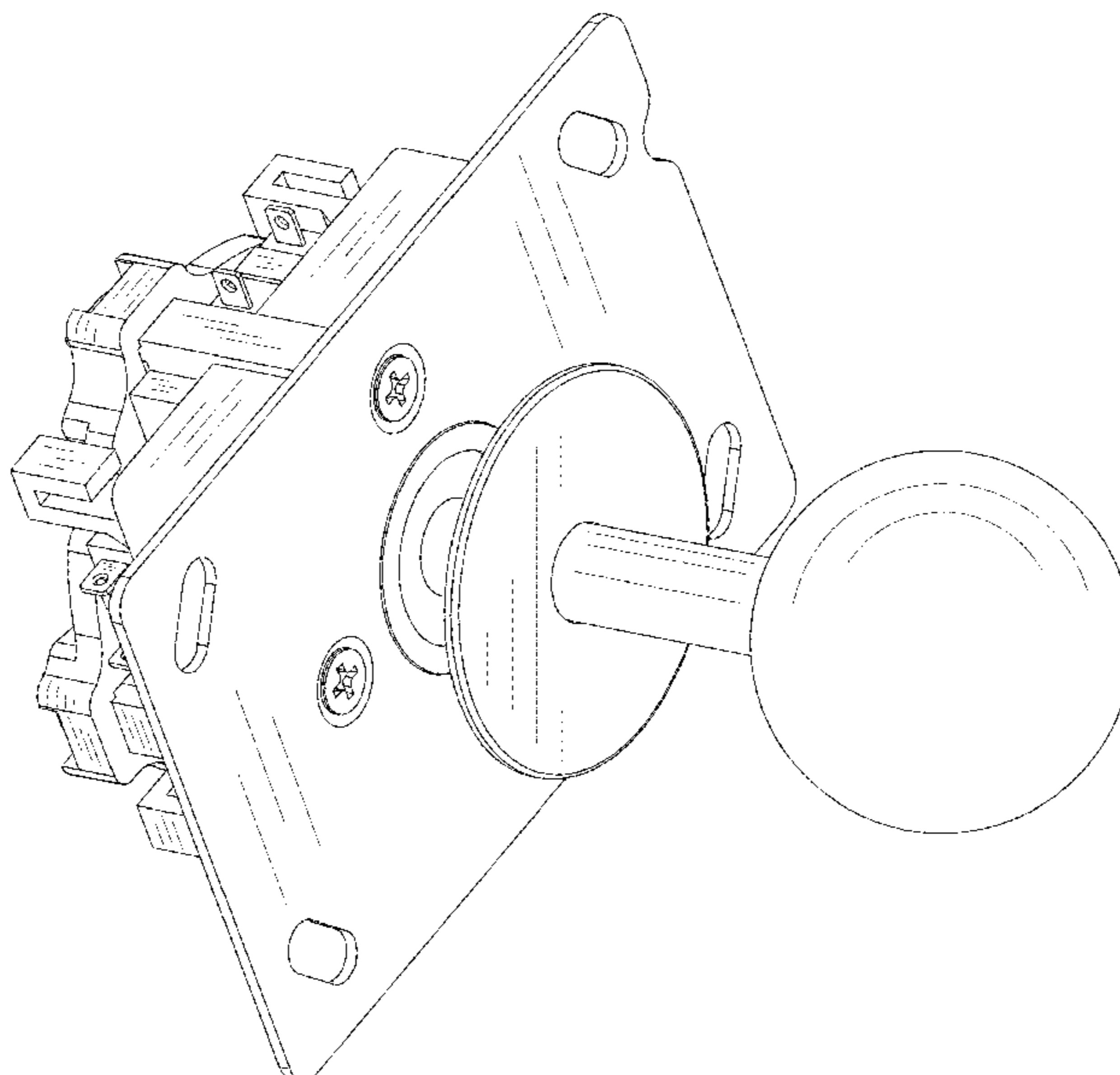
(57) **CLAIM**

The ornamental design for a joystick, as shown and described.

DESCRIPTION

FIG. 1 is a front perspective view of the joystick showing my new design;
FIG. 2 is a rear perspective view thereof;
FIG. 3 is a front elevational view thereof;
FIG. 4 is a rear elevational view thereof;
FIG. 5 is a left side elevational view thereof;
FIG. 6 is a right side elevational view thereof;
FIG. 7 is a top plan view thereof; and,
FIG. 8 is a bottom plan view thereof.

1 Claim, 8 Drawing Sheets



(56)

References Cited

U.S. PATENT DOCUMENTS

6,030,291 A * 2/2000 Maki G05G 9/047
345/161
2010/0073291 A1* 3/2010 Hisatsugu G06F 3/0338
345/161
2014/0083833 A1* 3/2014 Desplaines G05G 9/047
200/6 A
2019/0015743 A1* 1/2019 Strahle A63F 13/24

* cited by examiner

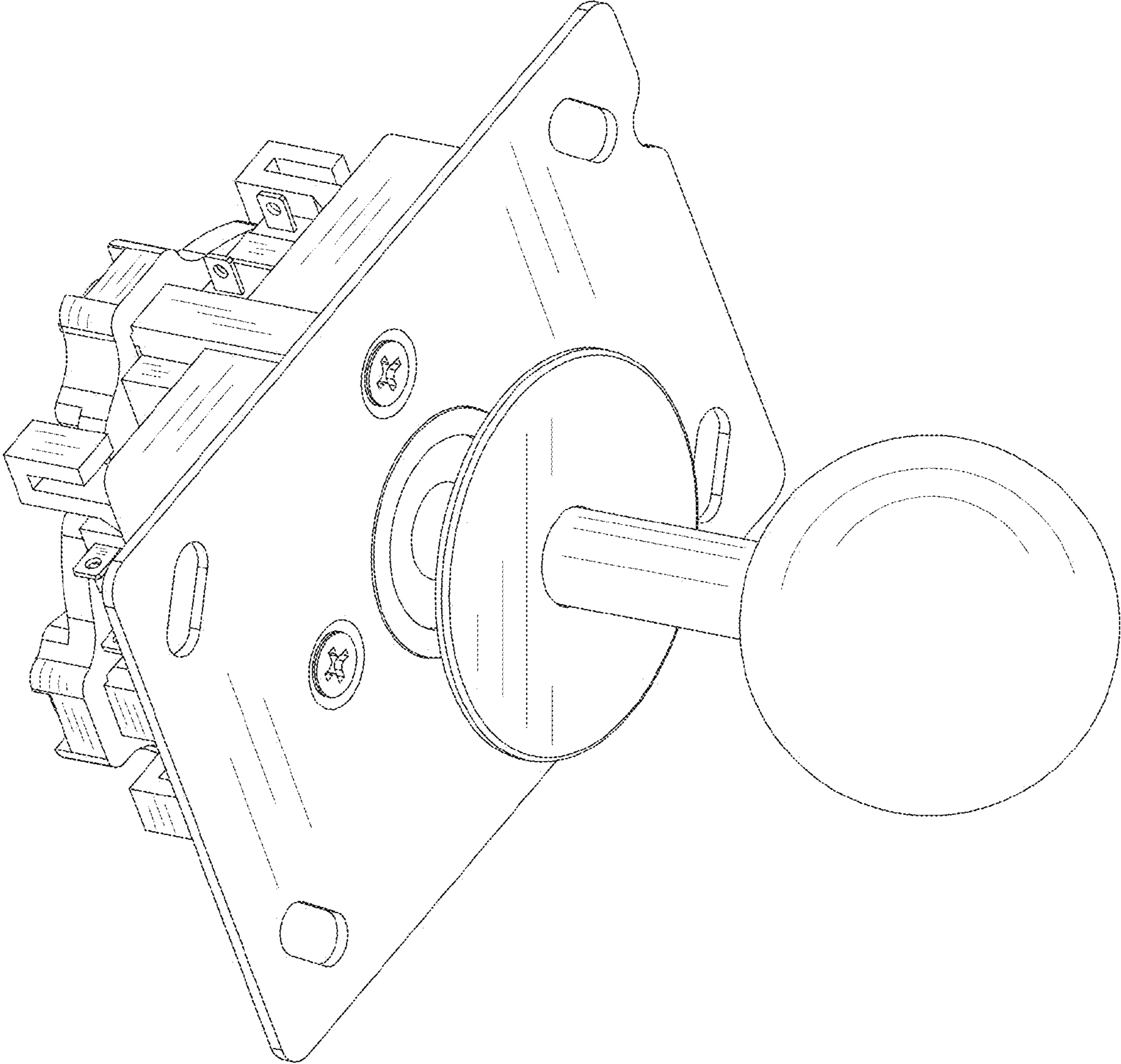


FIG. 1

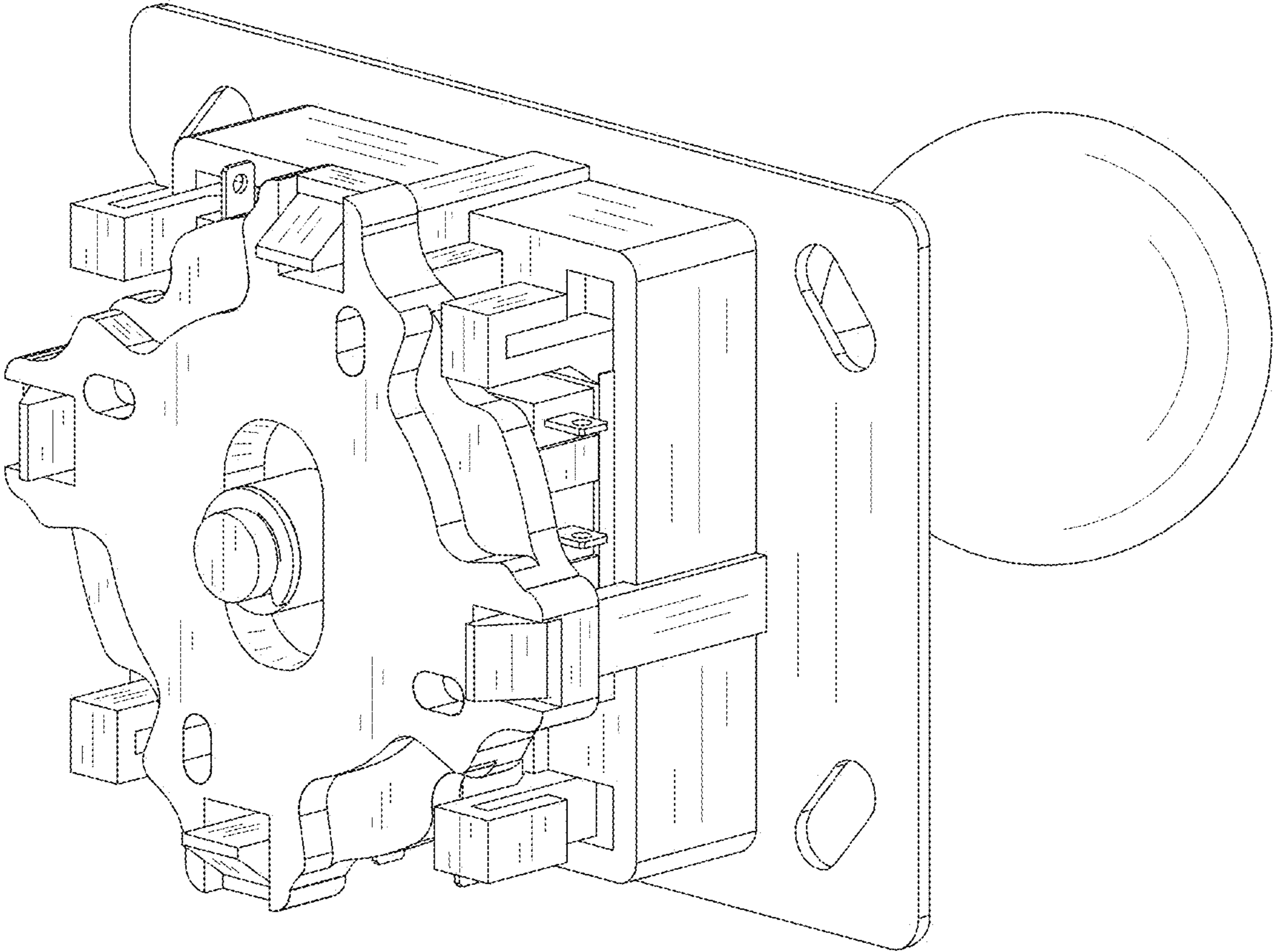


FIG. 2

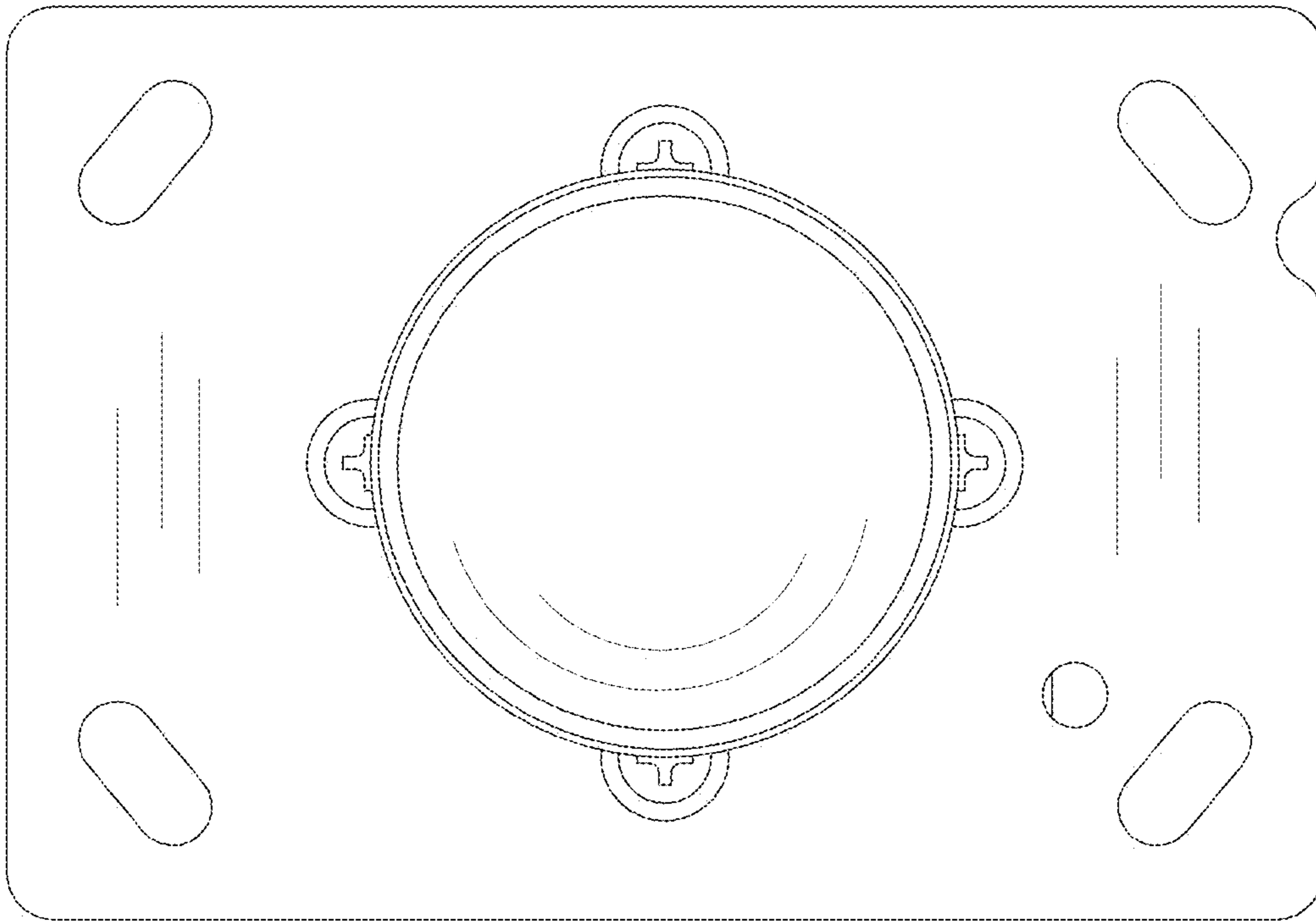


FIG. 3

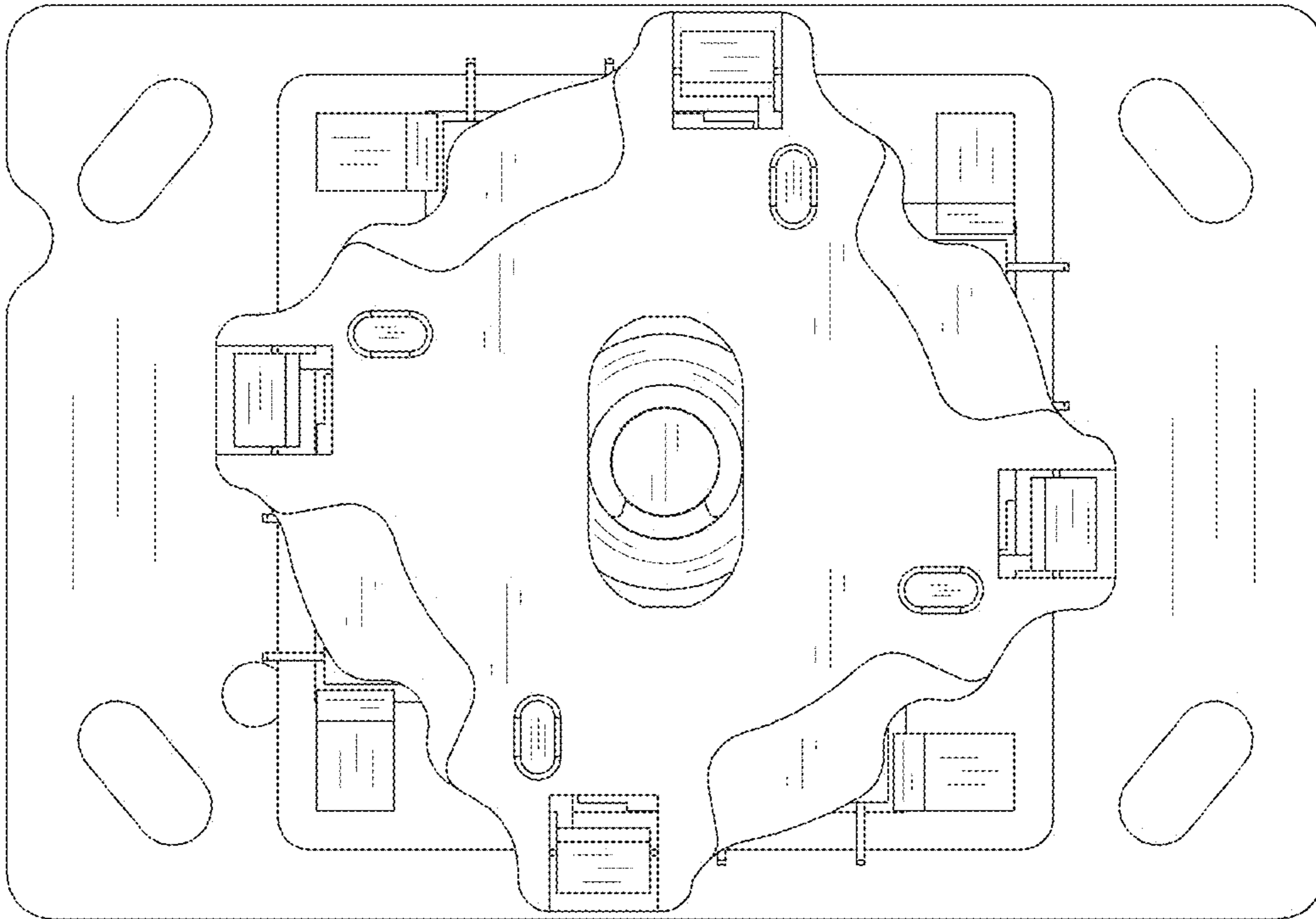


FIG. 4

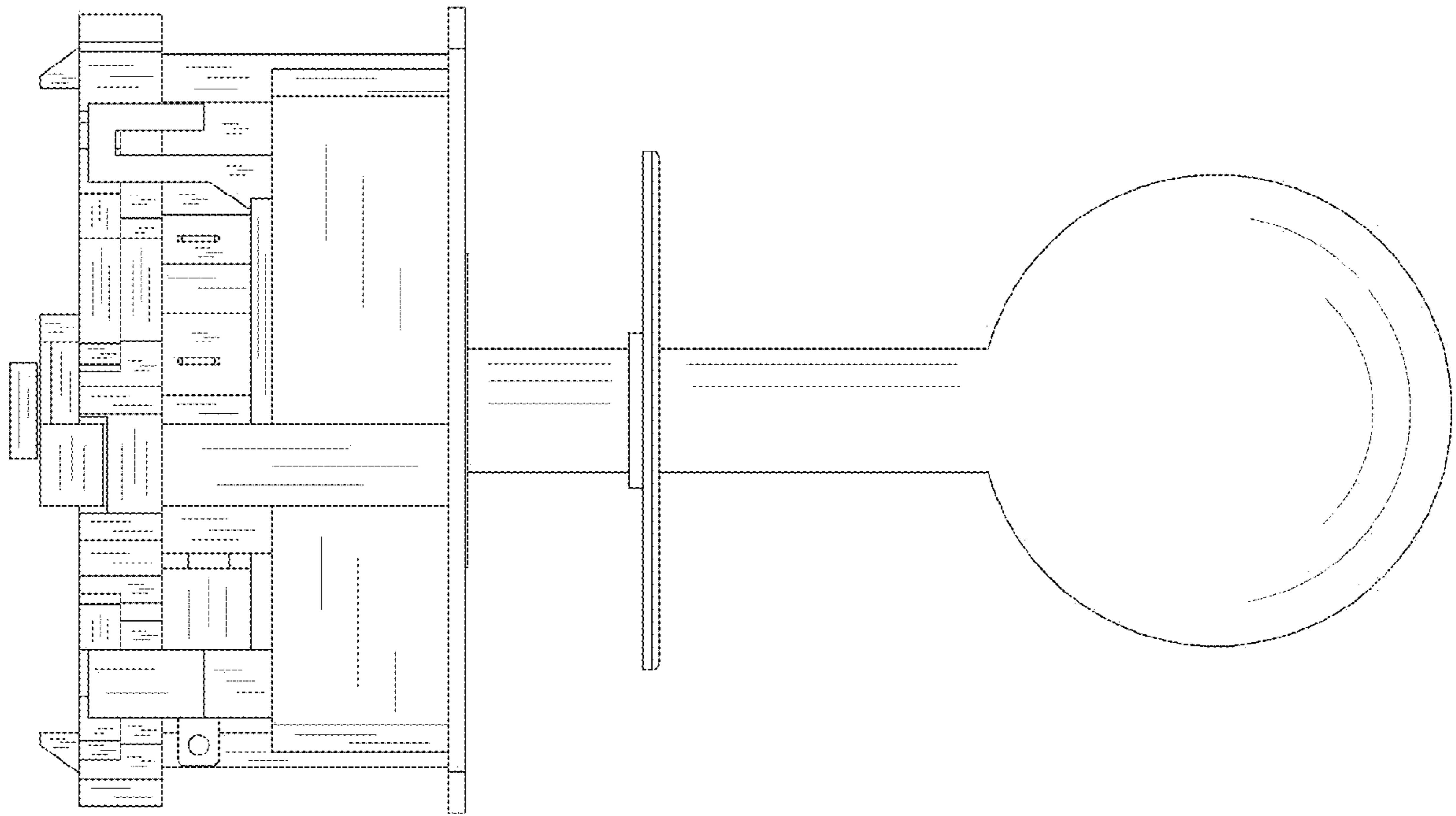


FIG. 5

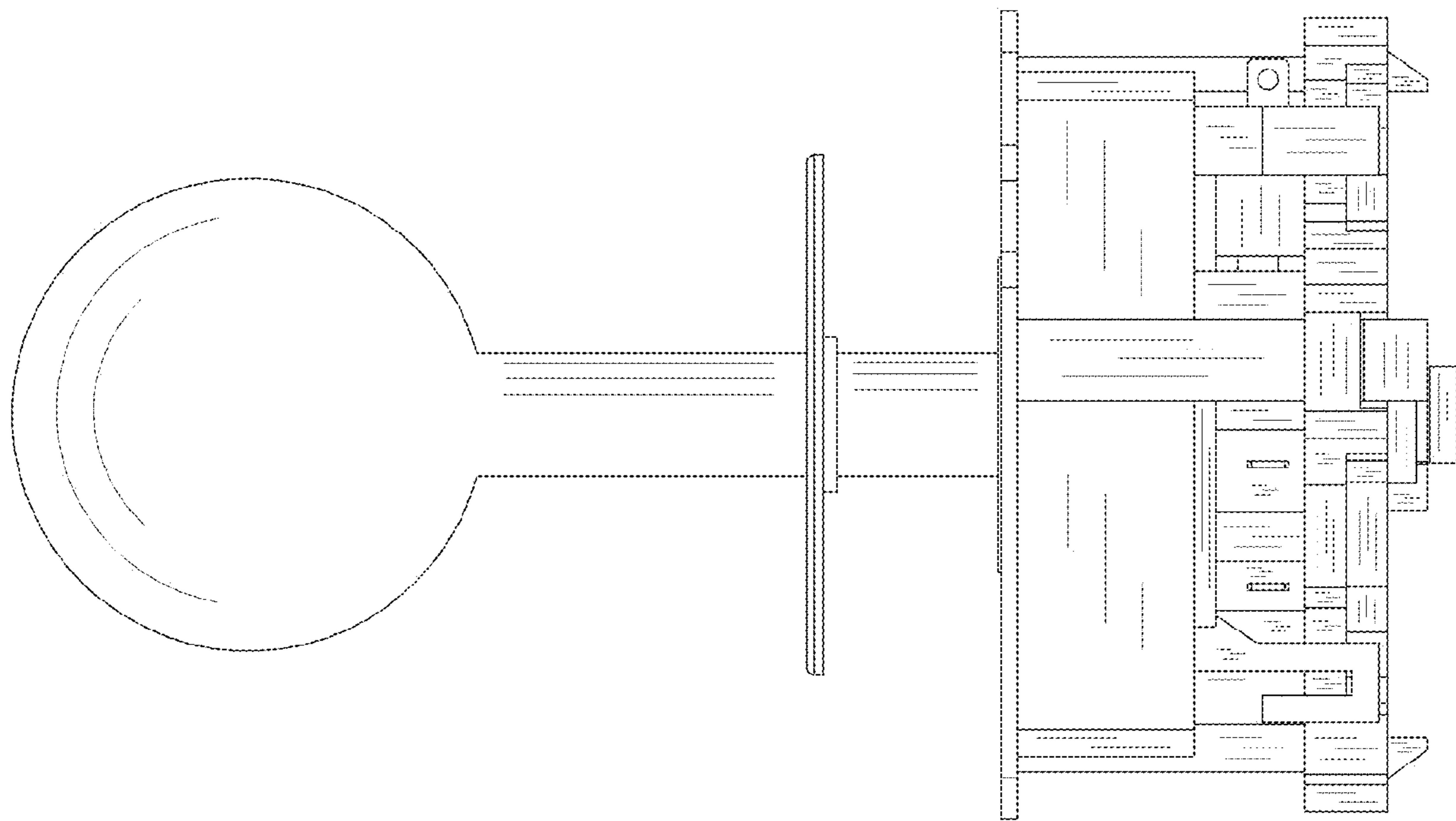


FIG. 6

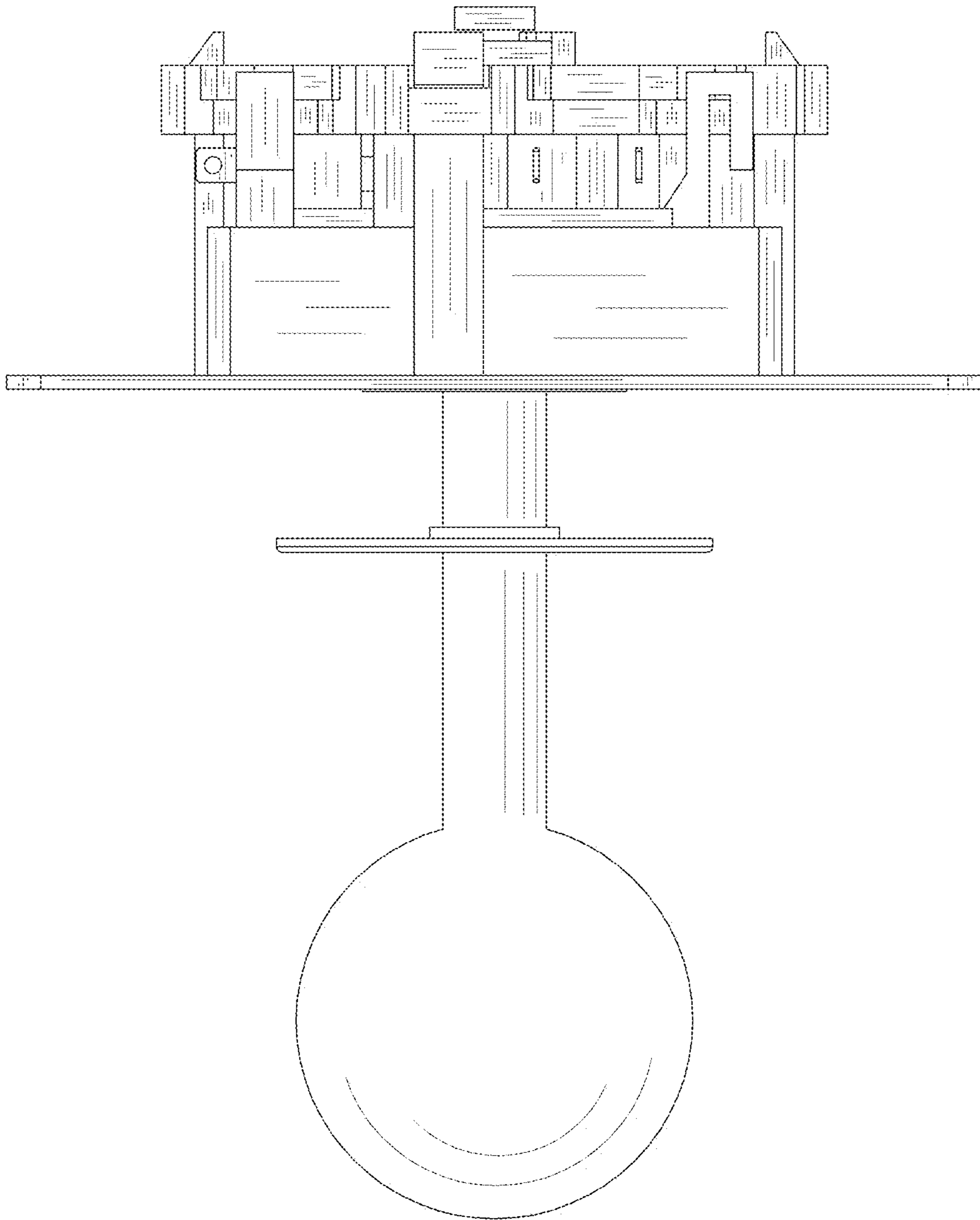


FIG. 7

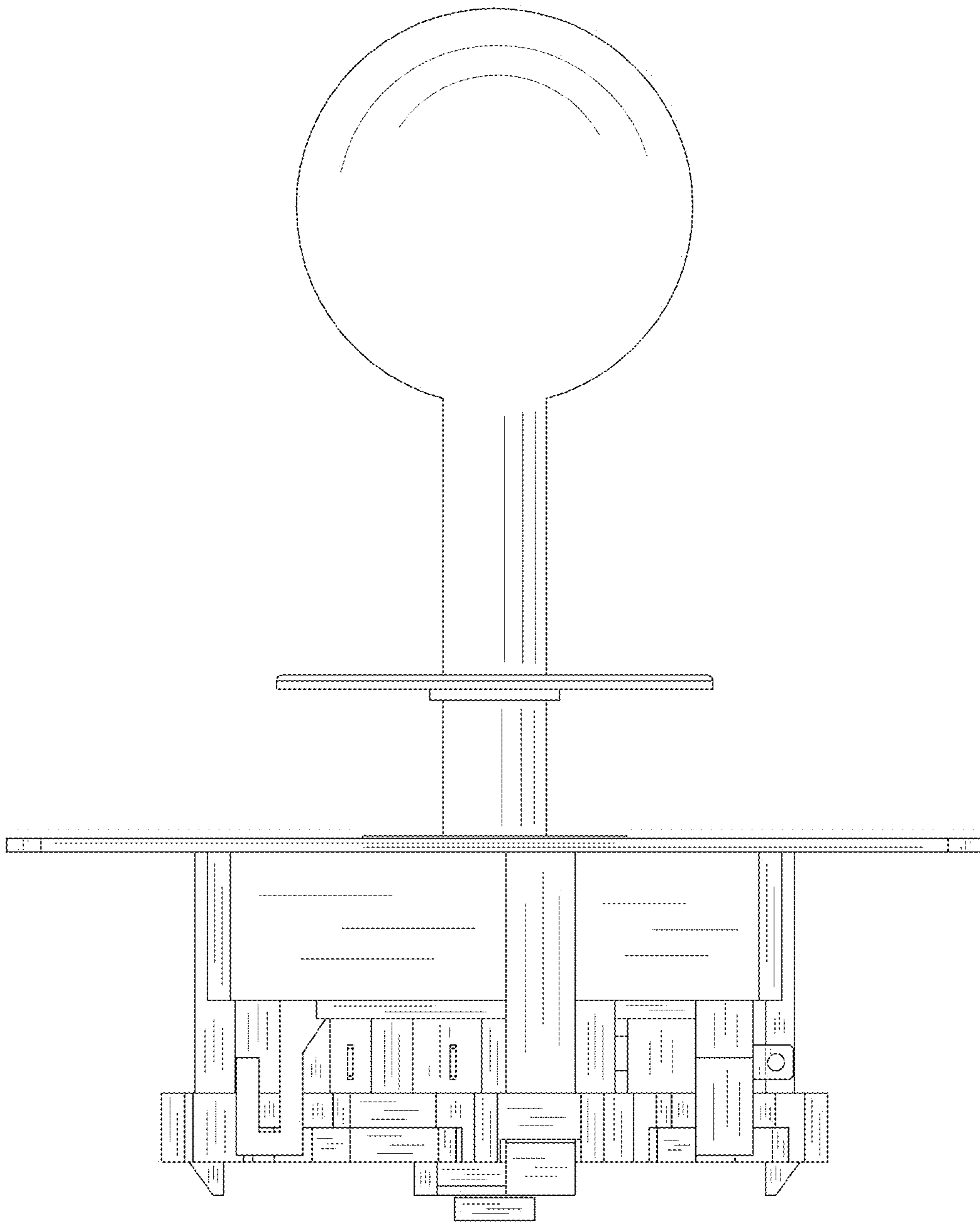


FIG. 8