



US00D890757S

(12) **United States Design Patent**
Wu

(10) **Patent No.:** **US D890,757 S**
(45) **Date of Patent:** **** Jul. 21, 2020**

- (54) **FINGER ACTIVATED SWITCHING DEVICE**
- (71) Applicant: **Qiankun Wu**, Moreno Valley, CA (US)
- (72) Inventor: **Qiankun Wu**, Moreno Valley, CA (US)
- (**) Term: **15 Years**
- (21) Appl. No.: **29/574,177**
- (22) Filed: **Aug. 12, 2016**
- (51) **LOC (12) Cl.** **04-02**
- (52) **U.S. Cl.**
USPC **D14/407**
- (58) **Field of Classification Search**
USPC D14/402-411, 356, 388, 389, 383-385,
D14/417, 426; 345/156-167; 463/36-38;
358/471, 473; 273/148 B
CPC G06F 3/03543; G06F 2203/0333; G06F
3/039; G06F 3/038; G06F 2203/0384
See application file for complete search history.

- D764,471 S * 8/2016 Klein D14/407
- D765,078 S * 8/2016 Klein D14/407
- D766,242 S * 9/2016 Moon D14/407
- D769,245 S * 10/2016 Lee D14/407
- 9,589,749 B1 * 3/2017 Wu H01H 21/24
- 9,627,162 B1 * 4/2017 Wu H01H 21/24
- D816,675 S * 5/2018 Kaiya D14/402
- 2005/0162394 A1 * 7/2005 Chiu G06F 1/3203
345/166
- 2006/0146025 A1 * 7/2006 O'Keefe G06F 3/03543
345/163
- 2006/0176277 A1 * 8/2006 Daniel G06F 3/0317
345/163

(Continued)

Primary Examiner — Austin Murphy
(74) *Attorney, Agent, or Firm* — Barry Choobin; Patent
360

(57) **CLAIM**

The ornamental design for a finger activated switching device, substantially as shown in drawing FIG. 1-FIG. 7 and described.

(56) **References Cited**

U.S. PATENT DOCUMENTS

- D507,573 S * 7/2005 Wang D14/402
- D521,998 S * 5/2006 Hirota D14/402
- D549,703 S * 8/2007 Nakata D14/402
- 7,362,309 B2 * 4/2008 Chao G06F 3/03543
345/164
- D570,842 S * 6/2008 Chatterjee D14/402
- D590,399 S * 4/2009 Chen D14/402
- D616,887 S * 6/2010 Le Guen D14/407
- D621,837 S * 8/2010 Ho D14/407
- D643,429 S * 8/2011 Ferwerda D14/407
- D647,093 S * 10/2011 Kim D14/407
- D662,096 S * 6/2012 Yu D14/407
- D684,973 S * 6/2013 Myung D14/407
- D709,884 S * 7/2014 Shim D14/407
- D728,572 S * 5/2015 Yockey D14/409
- D753,659 S * 4/2016 Schoeck D14/407
- D757,728 S * 5/2016 Schoeck D14/407
- D757,729 S * 5/2016 Schoeck D14/407

DESCRIPTION

FIG. 1 is a topside perspective view of a finger activated switching device, indicating our new design.

FIG. 2 is a topside view of a finger activated switching device, shown in FIG. 1.

FIG. 3 is a bottom side view of a finger activated switching device shown in FIG. 1.

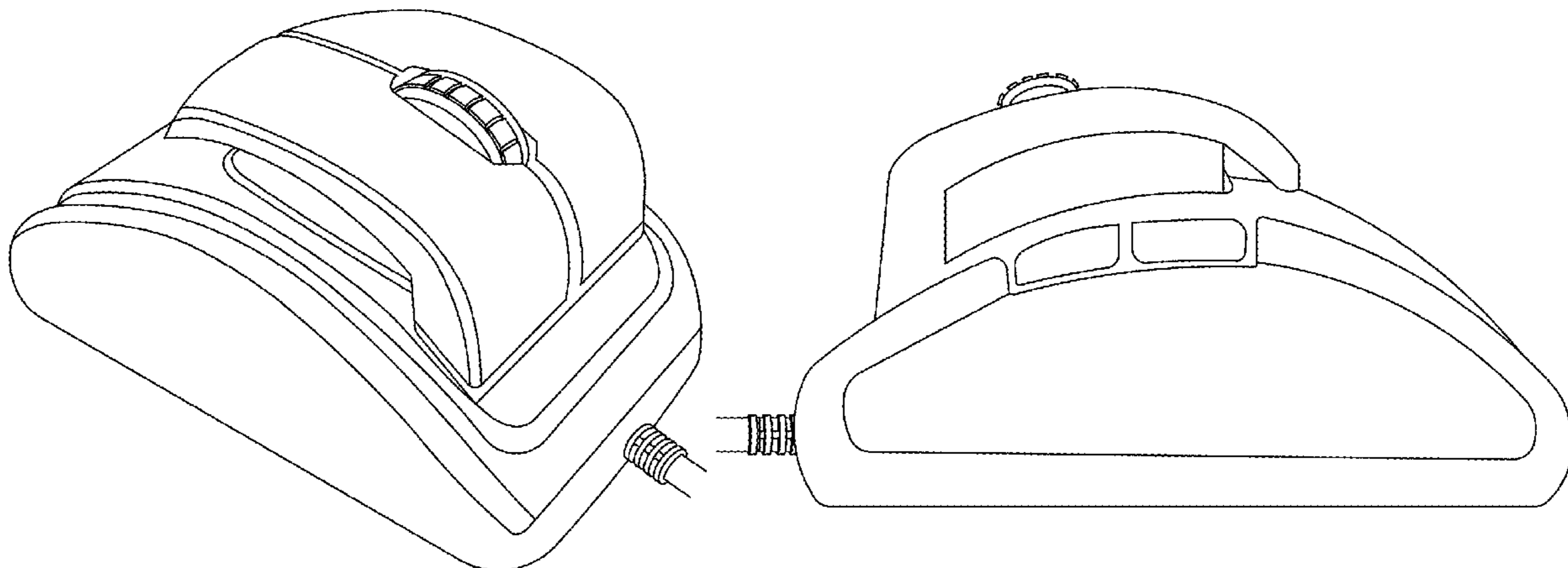
FIG. 4 is a back side view of a finger activated switching device shown in FIG. 1.

FIG. 5 is a front side view of a finger activated switching device shown in FIG. 1.

FIG. 6 is a left side view of a finger activated switching device, shown in FIG. 1; and,

FIG. 7 is a right side view of a finger activated switching device shown in FIG. 1.

1 Claim, 7 Drawing Sheets



(56)

References Cited

U.S. PATENT DOCUMENTS

2006/0250365 A1* 11/2006 Yu G06F 3/03544
345/163
2008/0300030 A1* 12/2008 Wang H04M 1/0214
455/575.3
2012/0188162 A1* 7/2012 Zhou G06F 3/03543
345/163

* cited by examiner

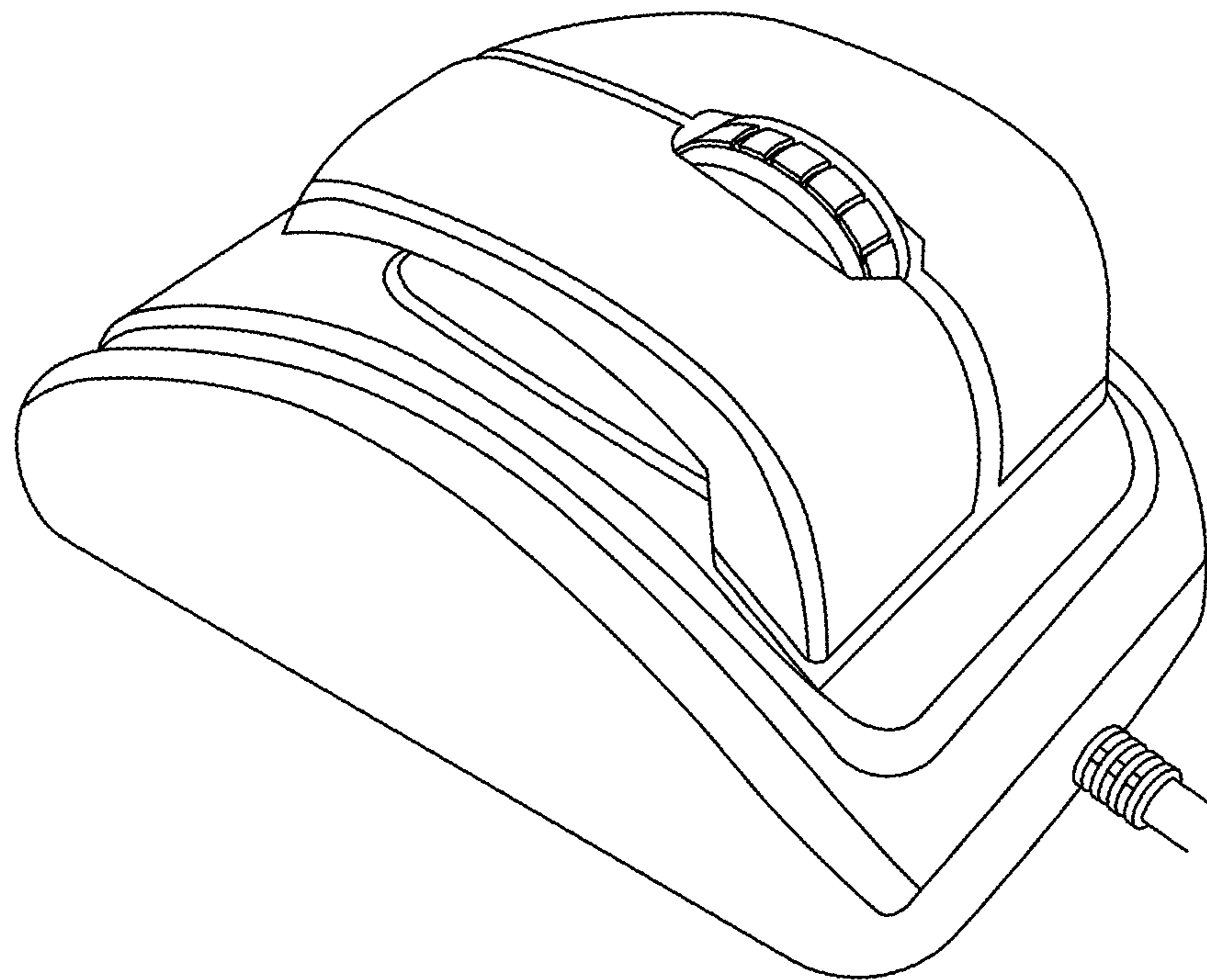


FIG. 1

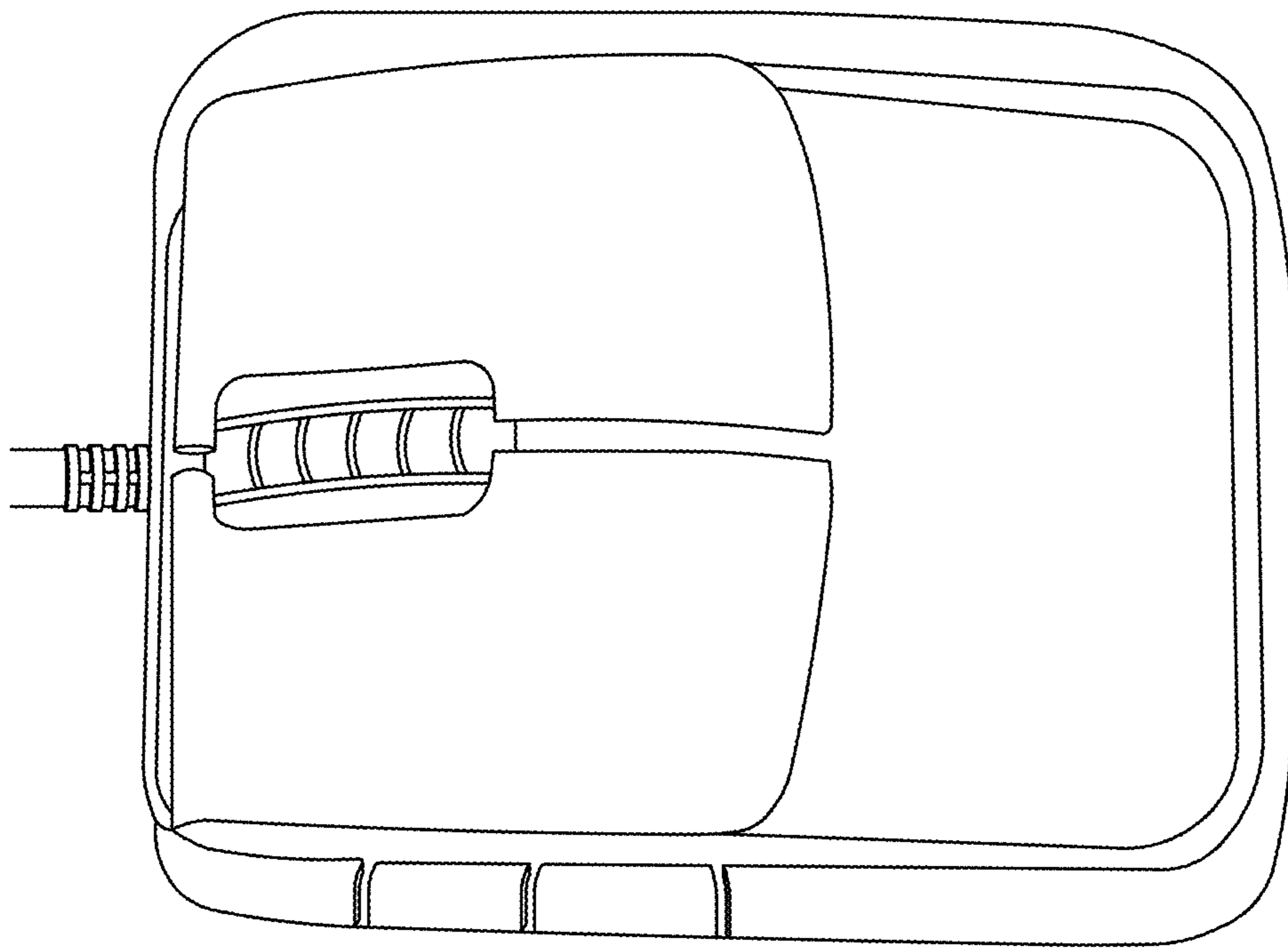


FIG. 2

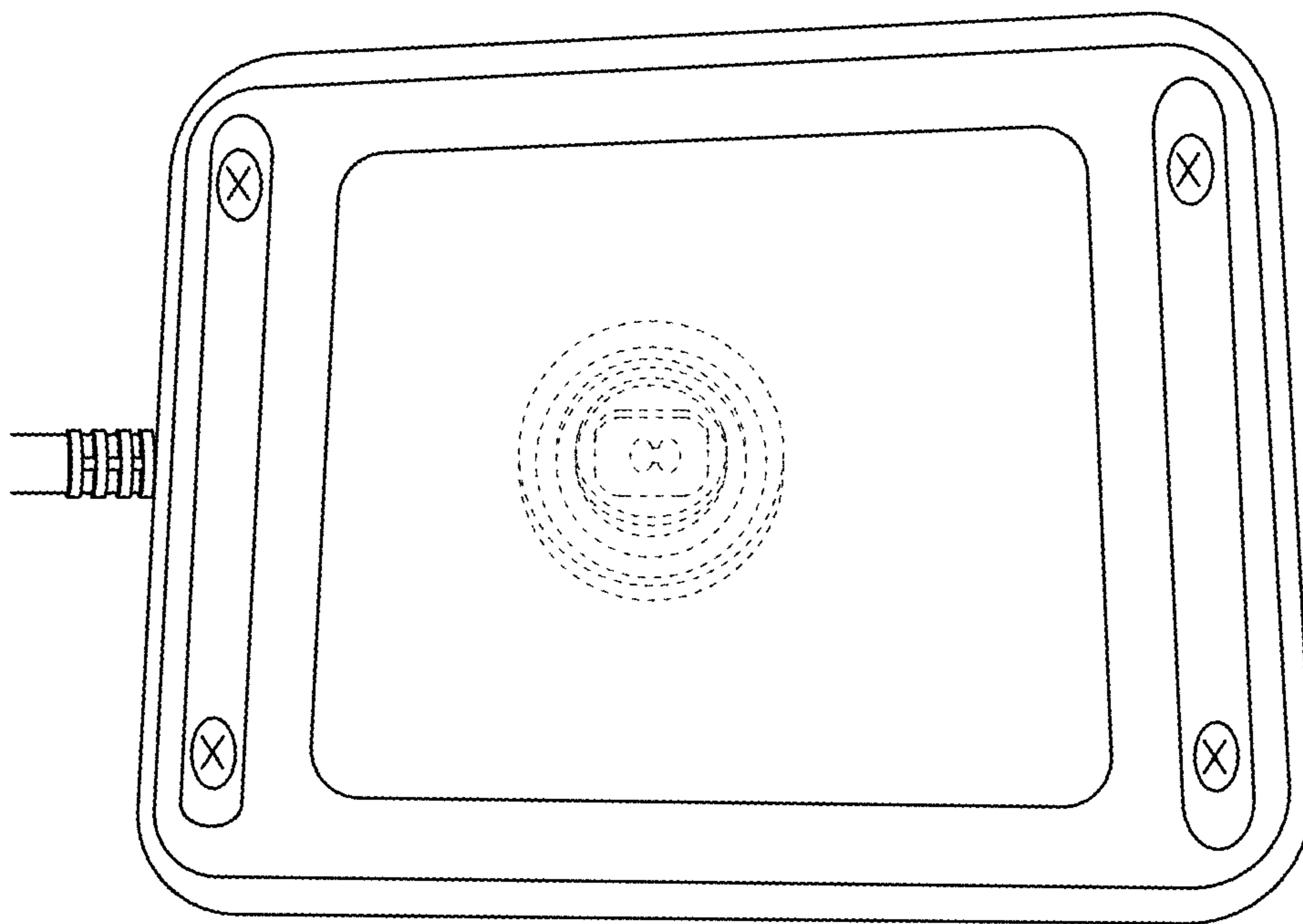


FIG. 3

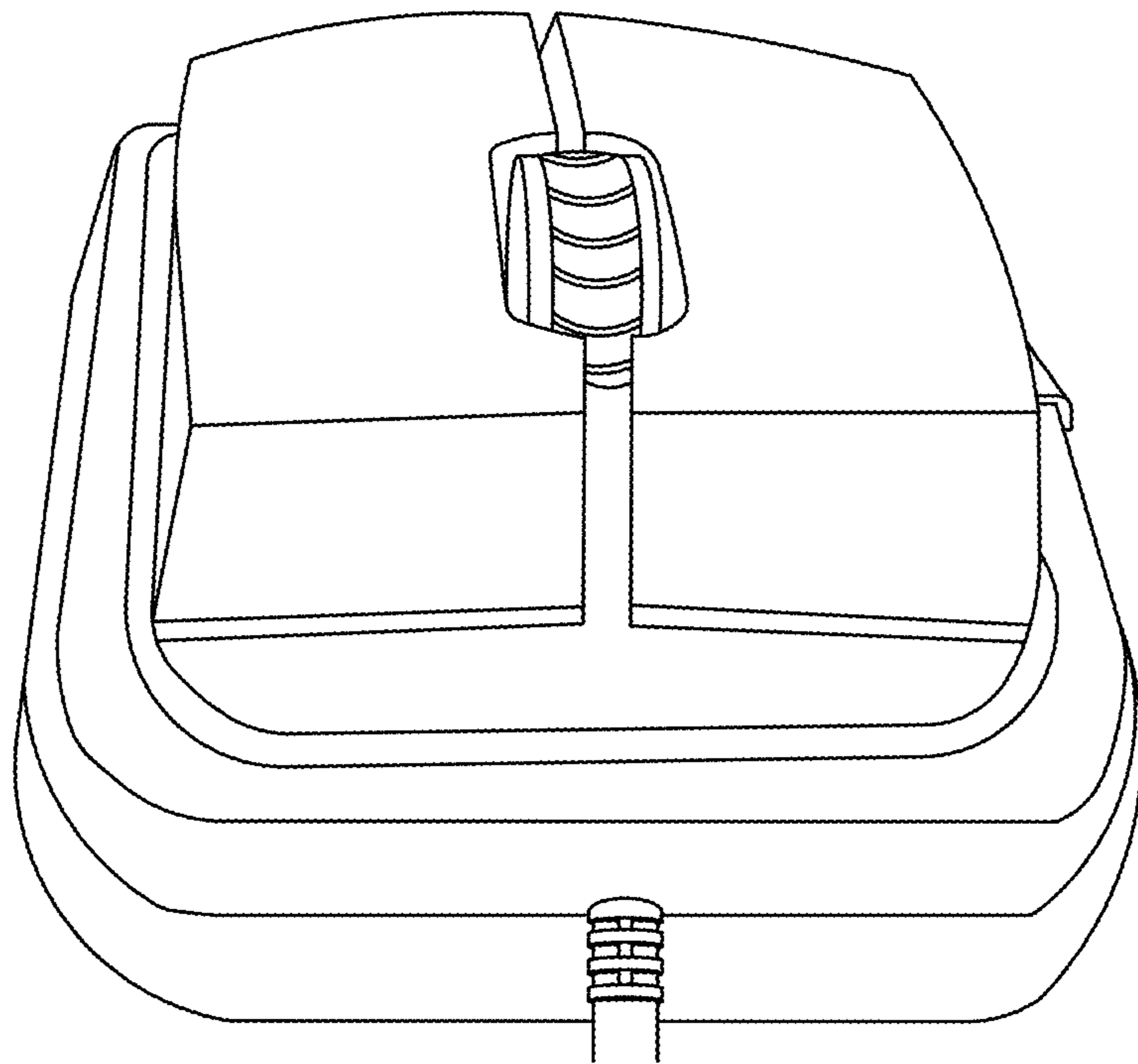


FIG. 4

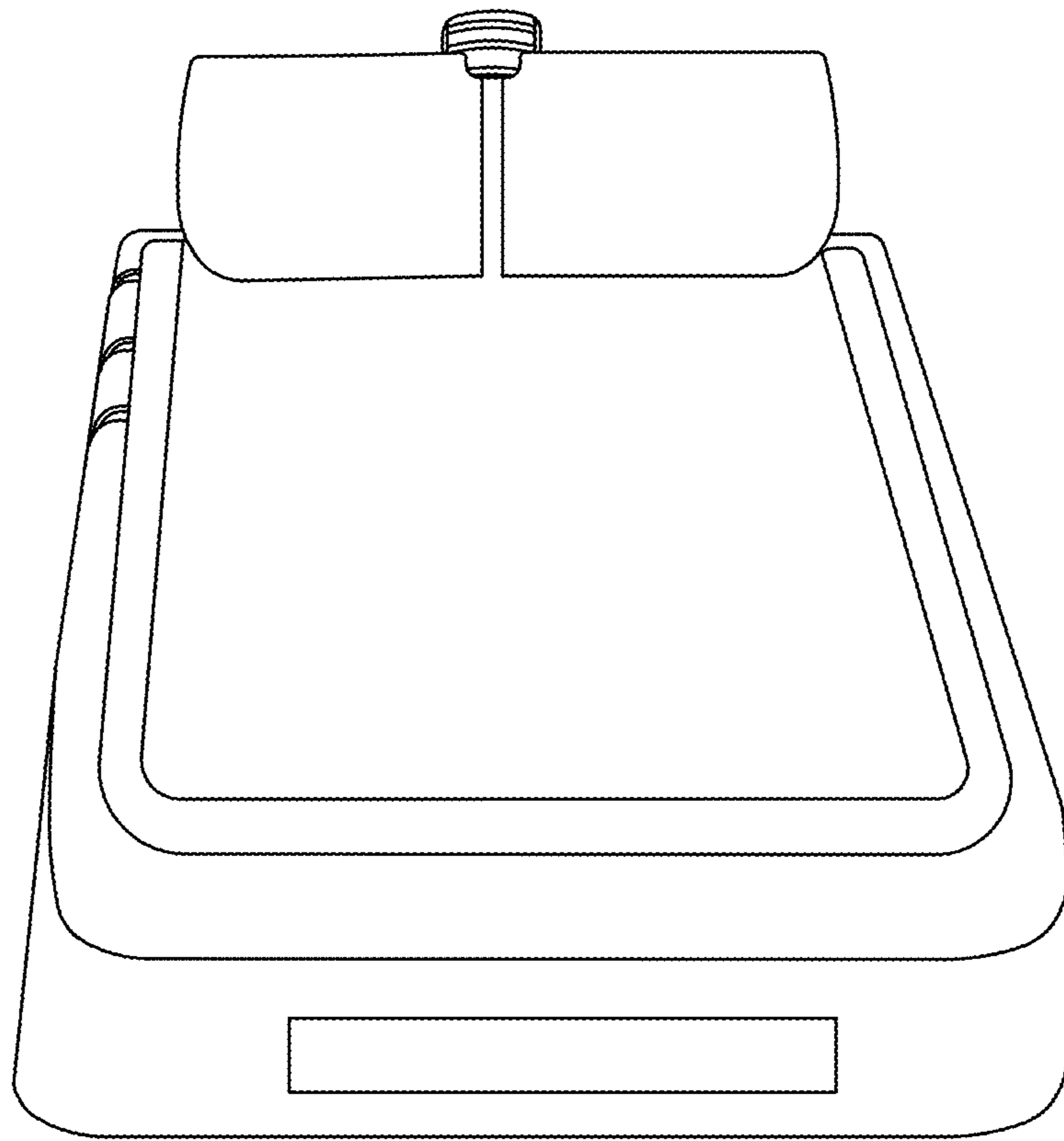


FIG. 5

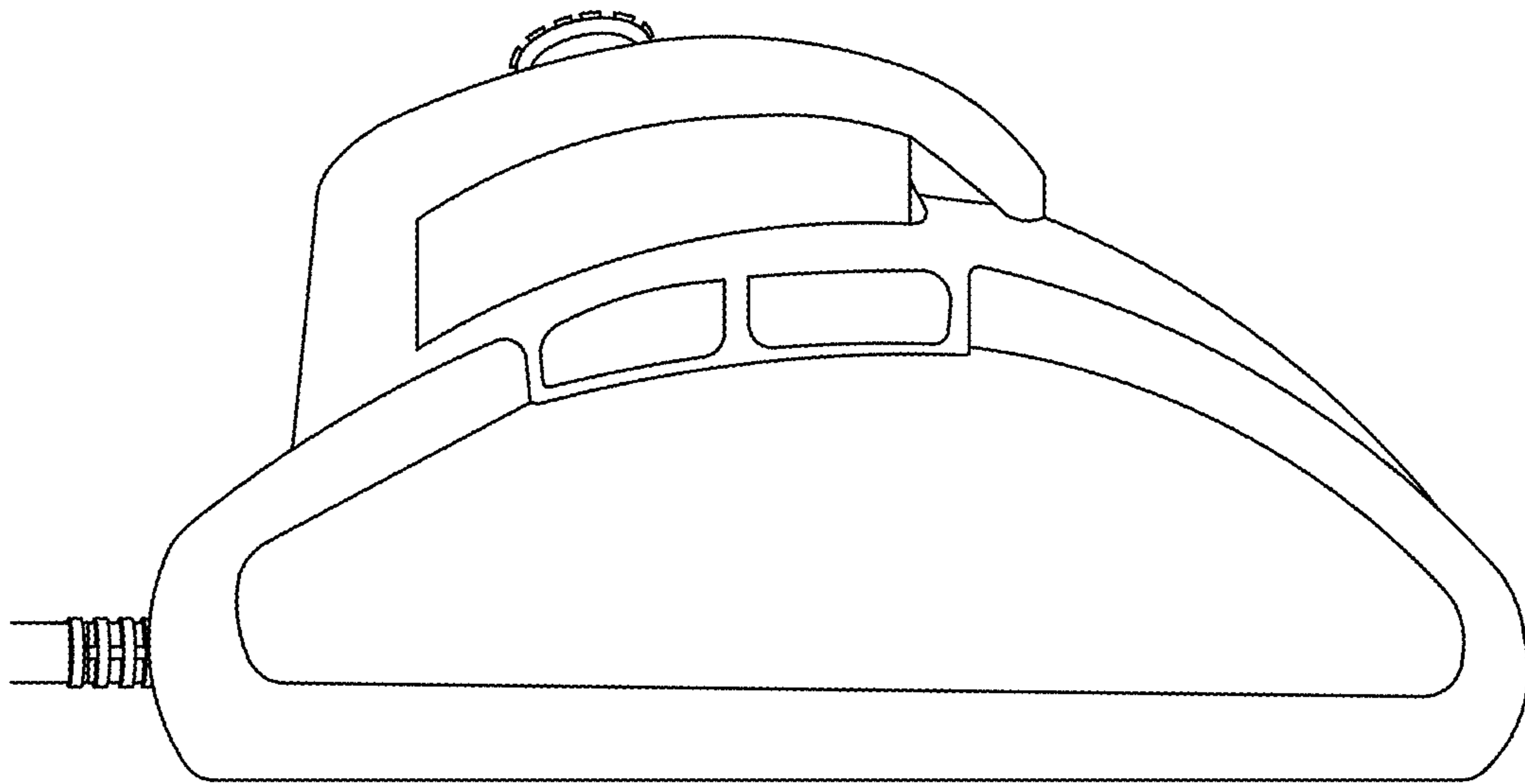


FIG. 6

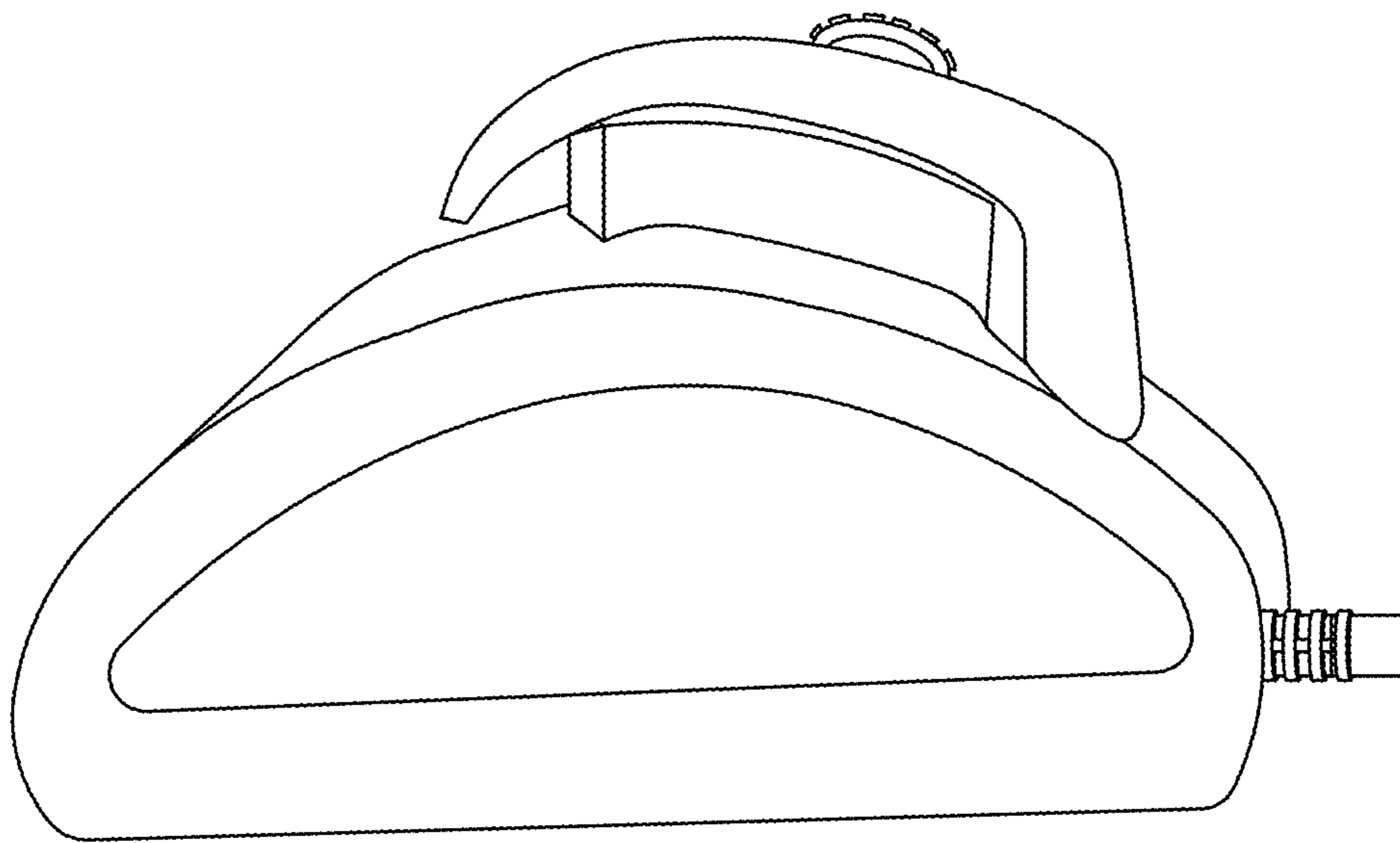


FIG. 7