



US00D890752S

(12) **United States Design Patent**
Huang et al.

(10) **Patent No.:** **US D890,752 S**
(45) **Date of Patent:** **** Jul. 21, 2020**

(54) **CONTROLLER**

(71) Applicant: **Beijing Unicorn Technology Co., Ltd,**
Beijing (CN)

(72) Inventors: **Xi Huang,** Beijing (CN); **Yue He,**
Beijing (CN); **Yue Wang,** Beijing (CN);
Zhihao Zhao, Beijing (CN); **Liwei**
Chen, Beijing (CN); **Jun Wang,**
Beijing (CN)

(73) Assignee: **Beijing Unicorn Technology Co., Ltd,**
Beijing (CN)

(**) Term: **15 Years**

(21) Appl. No.: **29/678,833**

(22) Filed: **Jan. 31, 2019**

(30) **Foreign Application Priority Data**

Dec. 29, 2018 (CN) 2018 3 0770775

(51) **LOC (12) Cl.** **14-02**

(52) **U.S. Cl.**
USPC **D14/358; D14/240; D14/300**

(58) **Field of Classification Search**
USPC D10/49, 50, 70; D13/106, 107, 108, 162,
D13/168, 184; D14/214, 216, 218, 228,
D14/240, 300, 356, 358
CPC G06F 1/181; G05B 11/01; G08C 17/02;
H04W 88/02; H04W 88/08; H04W
88/085; H04W 88/10; H04W 88/12;
H04W 88/14; H04W 88/16; H04L
37/306; G11B 33/08; G11B 33/126;
G11B 33/128; H02J 7/0042; H02J
7/0044; H02J 7/0068

See application file for complete search history.

(56) **References Cited**

U.S. PATENT DOCUMENTS

D391,944 S * 3/1998 Han D14/356
D396,852 S * 8/1998 Chao D14/358

D590,391 S * 4/2009 Sumii D14/356
D598,003 S * 8/2009 Park D14/149
D643,412 S * 8/2011 Brady D14/218
D664,932 S * 8/2012 Sedic D13/168
D694,182 S * 11/2013 Lee D13/108
D696,190 S * 12/2013 Brandtman D13/108
D700,080 S * 2/2014 Broadbent D10/65
D700,904 S * 3/2014 Miller D13/168
D704,581 S * 5/2014 Ho D10/78
D724,060 S * 3/2015 Ahn D14/218
D726,161 S * 4/2015 Howard D14/218
D729,773 S * 5/2015 Salojarvi D14/218
D743,819 S * 11/2015 Golnik D10/70
D743,954 S * 11/2015 Chuang D13/168
D751,538 S * 3/2016 Koehler D14/240
D753,832 S * 4/2016 Lin D24/186
9,513,682 B2 * 12/2016 Fleisig G06F 1/266
D776,656 S * 1/2017 Lagerstedt D14/240
D786,200 S * 5/2017 Lagerstedt D13/168
D800,060 S * 10/2017 Solland D13/108

(Continued)

Primary Examiner — Selina Sikder

(74) *Attorney, Agent, or Firm* — Schwegman Lundberg &
Woessner, P.A.

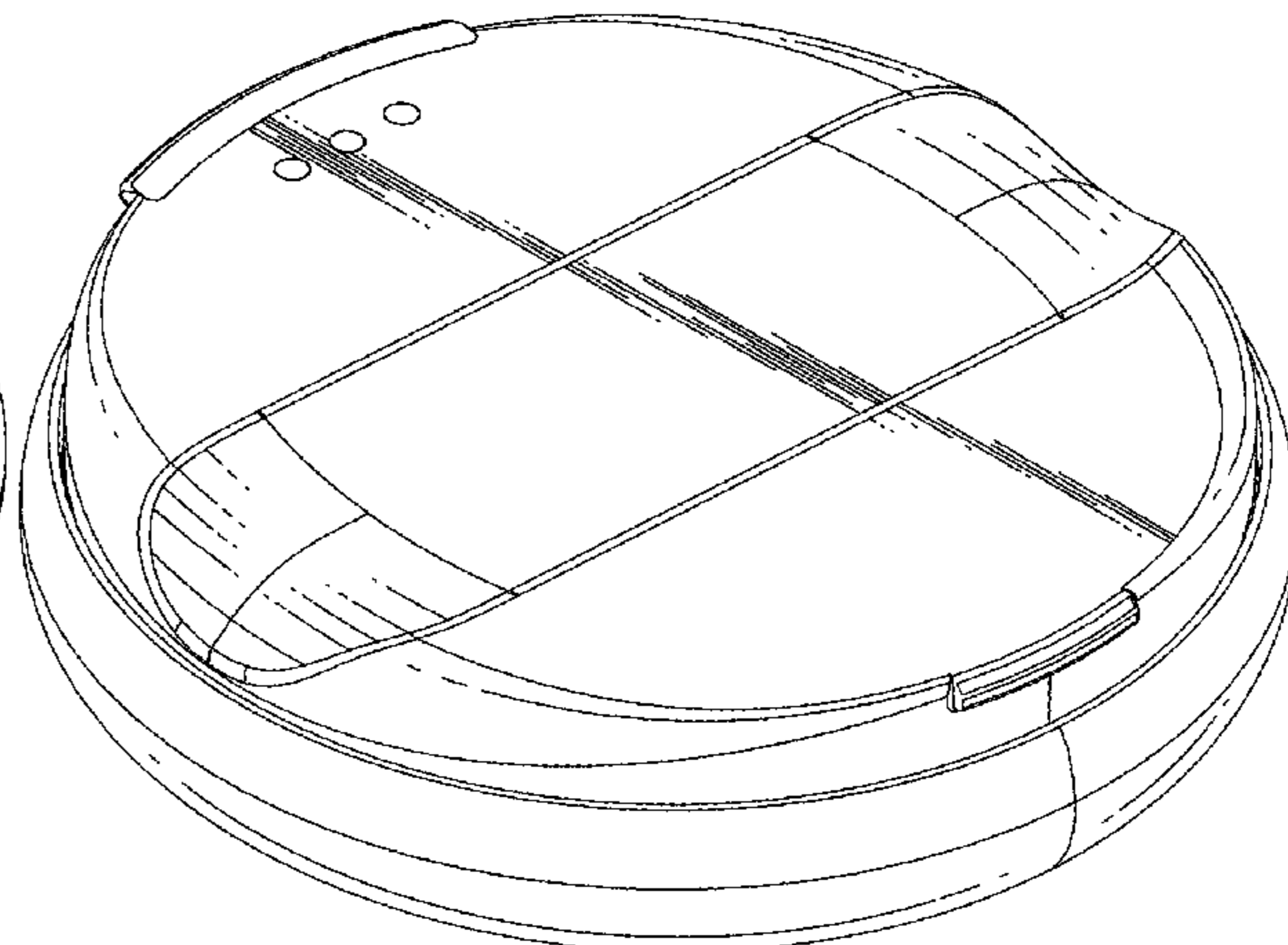
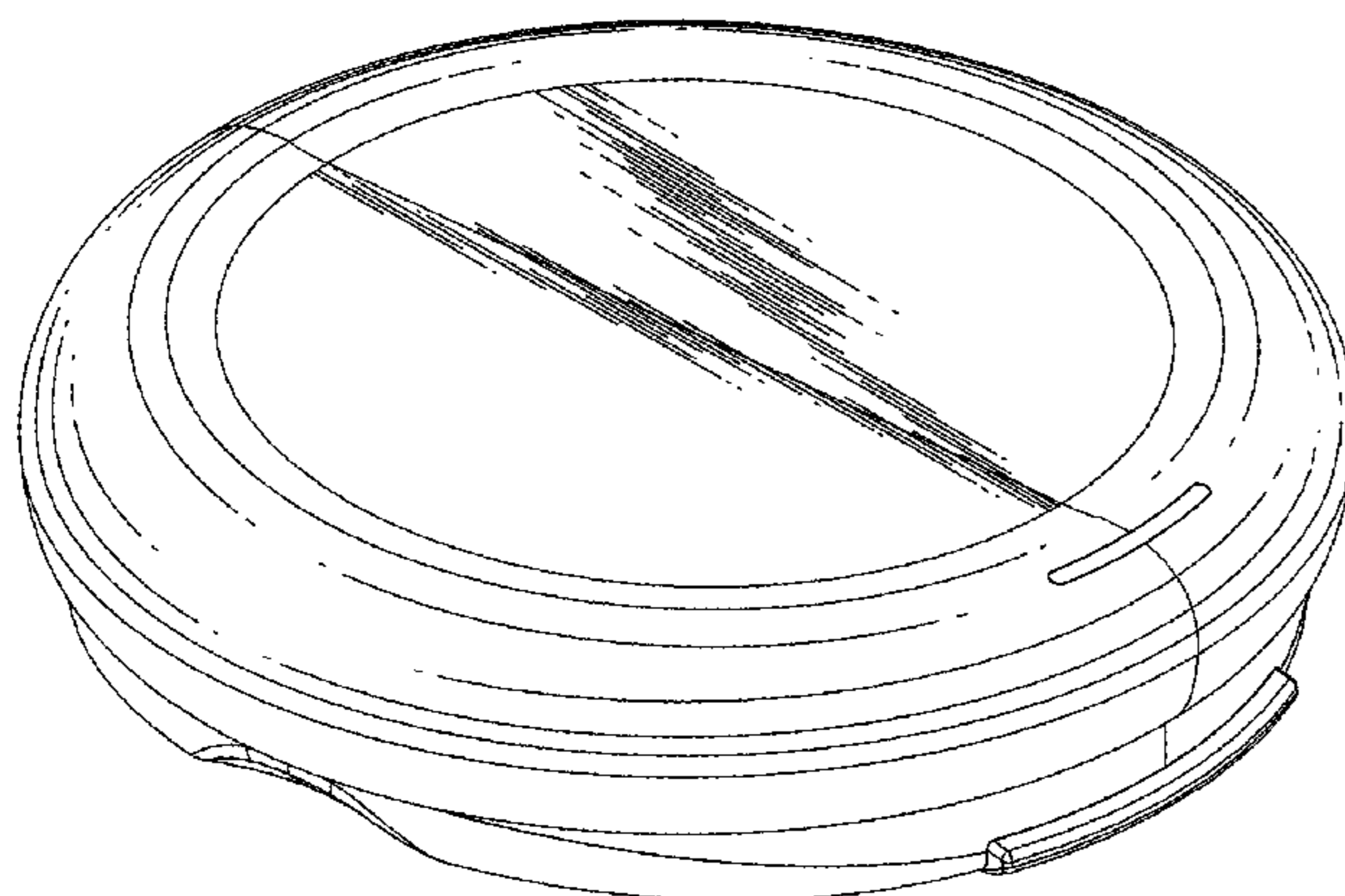
(57) **CLAIM**

The ornamental design for a controller, as shown and
described.

DESCRIPTION

FIG. 1 is a top perspective view of a controller showing our
new design;
FIG. 2 is a bottom perspective view thereof;
FIG. 3 is a front view thereof;
FIG. 4 is a rear view thereof;
FIG. 5 is a left side view thereof;
FIG. 6 is a right side view thereof;
FIG. 7 is a top view thereof; and,
FIG. 8 is a bottom view thereof.

1 Claim, 4 Drawing Sheets



(56)

References Cited

U.S. PATENT DOCUMENTS

D807,867 S * 1/2018 Kato D14/240
D809,951 S * 2/2018 Yang D10/104.1
D819,600 S * 6/2018 Jeon D14/216
D820,238 S * 6/2018 Boshernitzan D14/218
D820,318 S * 6/2018 Mullins D14/496
10,097,640 B2 * 10/2018 Kim H04L 67/12
D844,593 S * 4/2019 Bould D14/240
D849,704 S * 5/2019 Kim D14/137
D859,401 S * 9/2019 Kim D14/358
D860,198 S * 9/2019 Engwall D14/356
D861,602 S * 10/2019 Feng D13/108
D869,463 S * 12/2019 Gagne-Keats D14/358
D875,085 S * 2/2020 Sahlin D14/228
2002/0149566 A1 * 10/2002 Sarkissian G06F 3/0202
345/168
2016/0043584 A1 * 2/2016 Sun H01M 2/1044
320/107

* cited by examiner

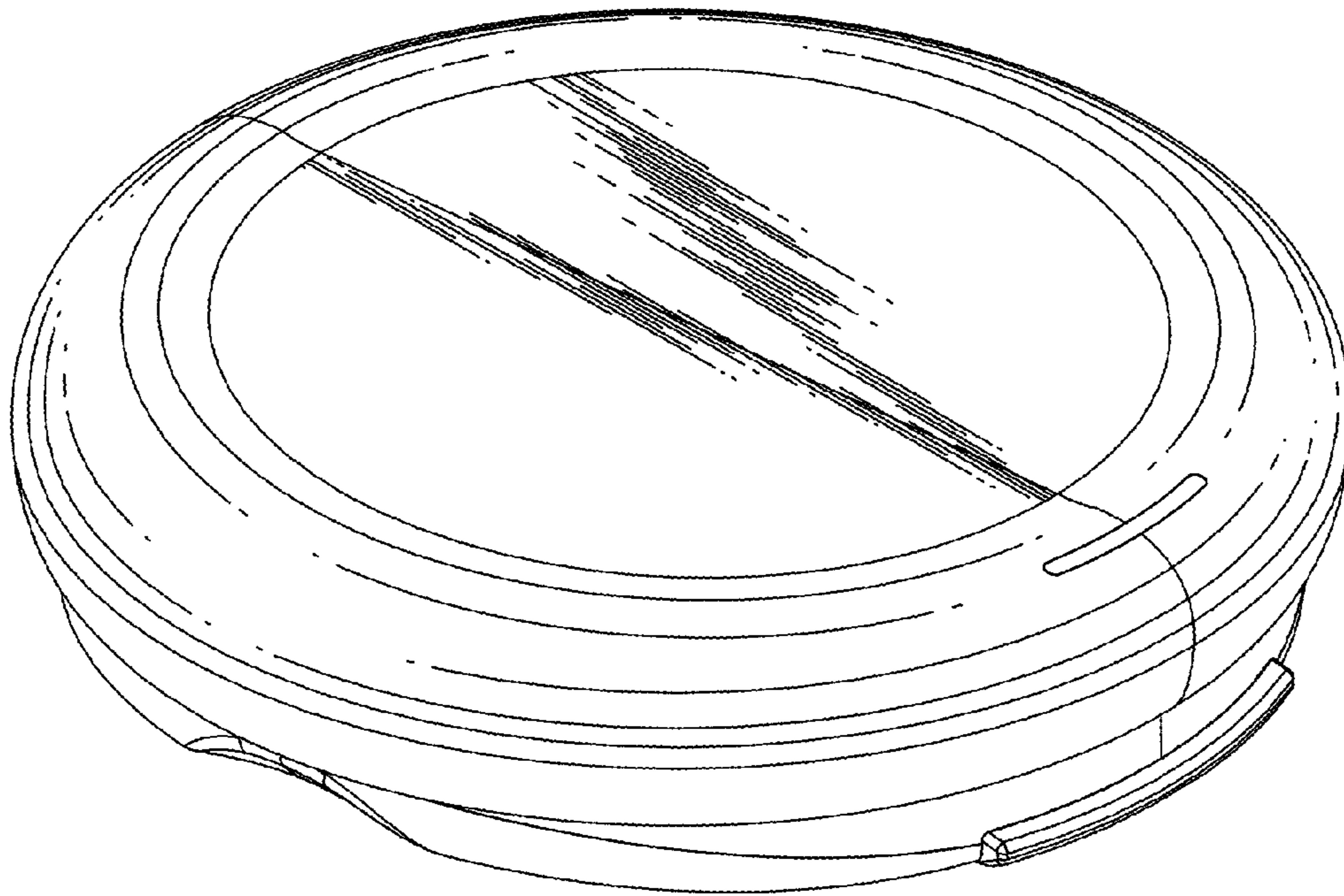


Fig. 1

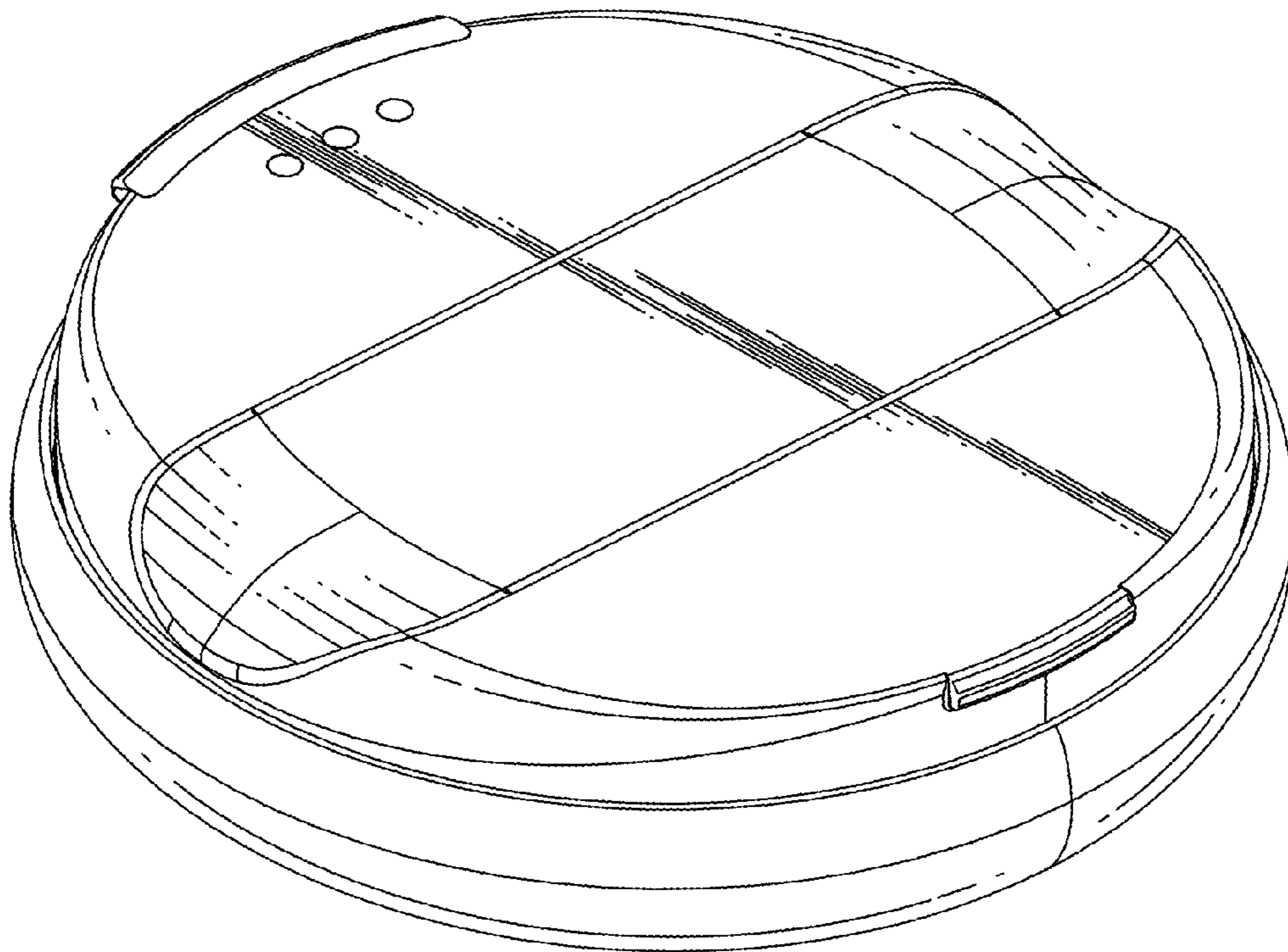


Fig. 2

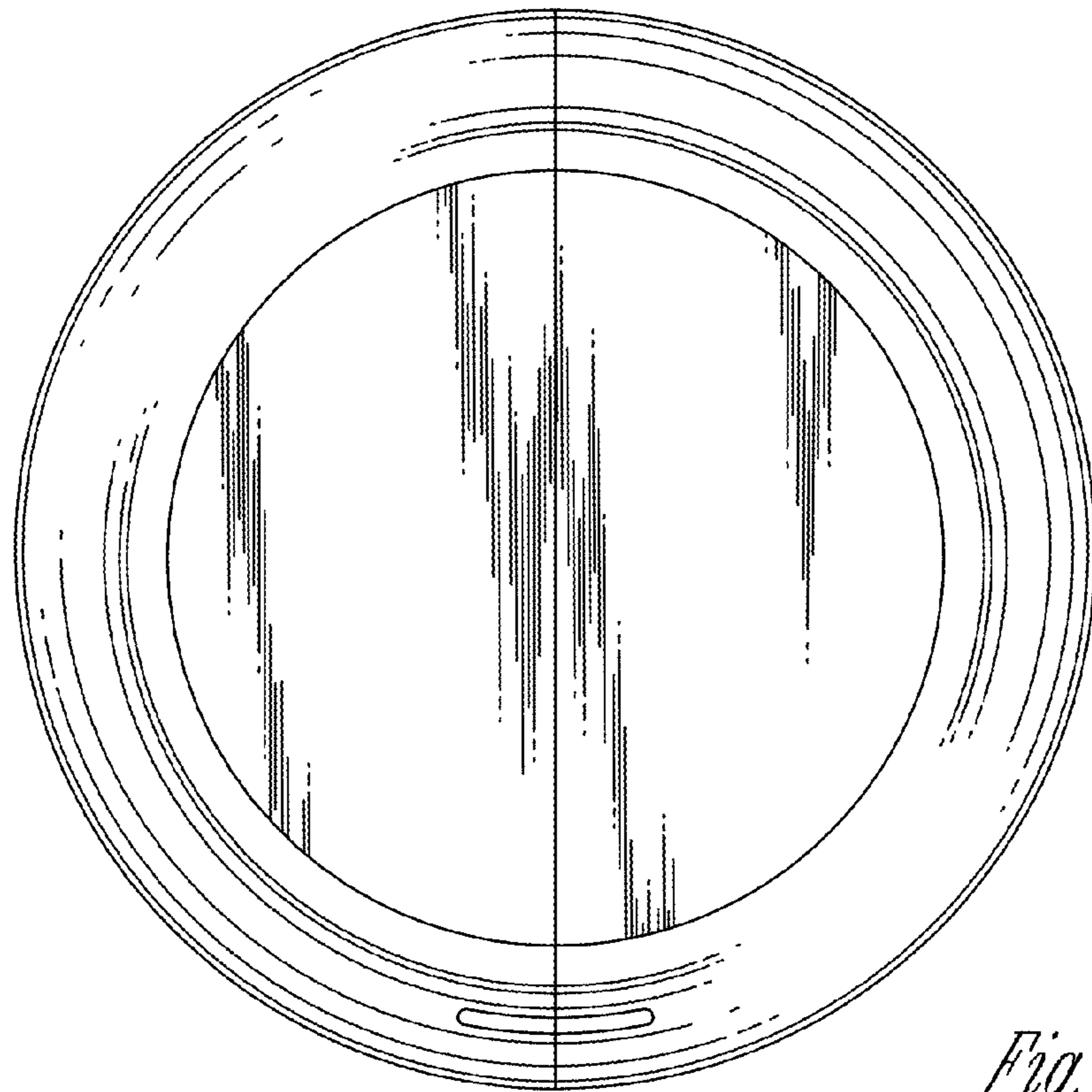


Fig. 3

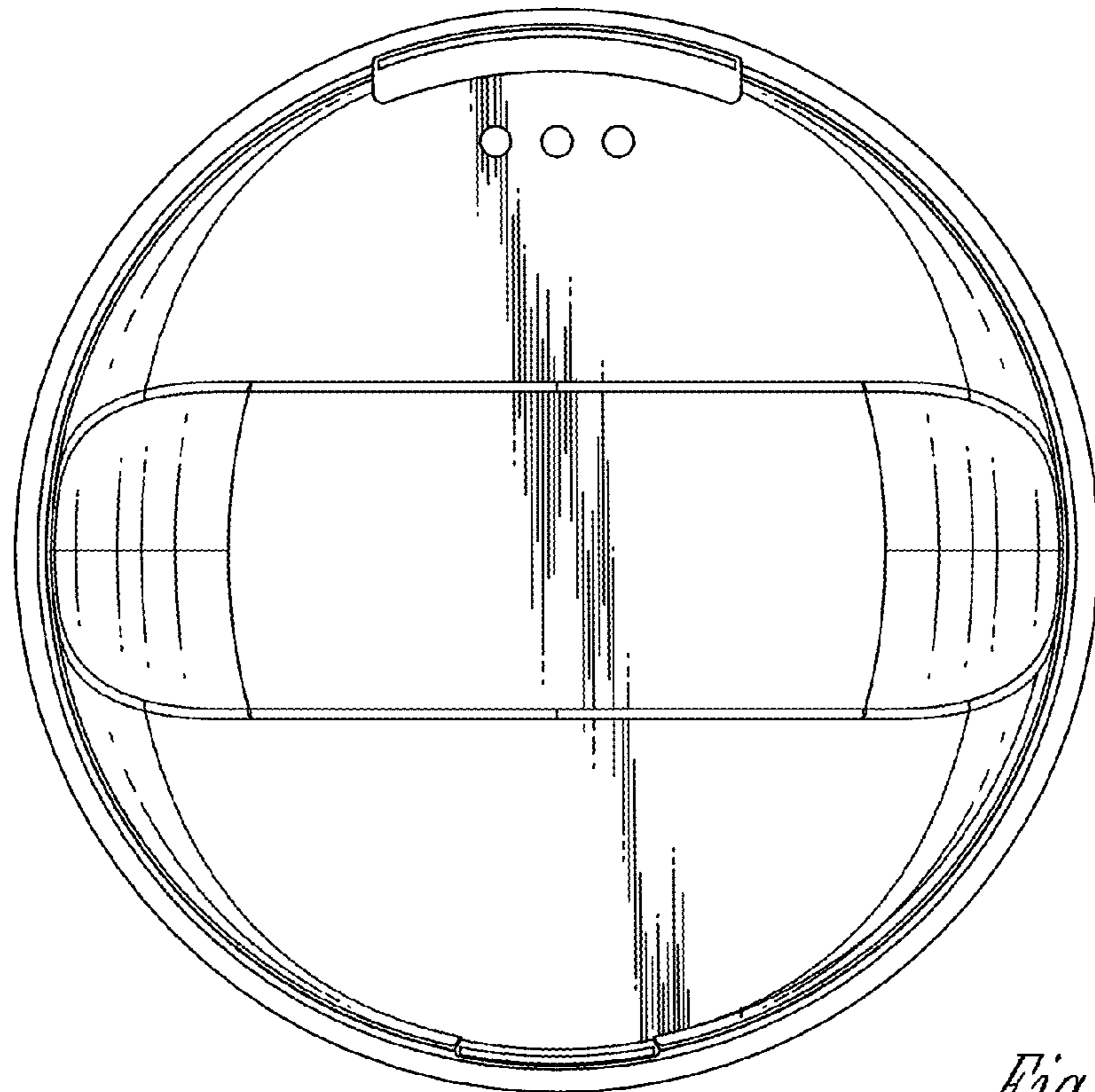


Fig. 4

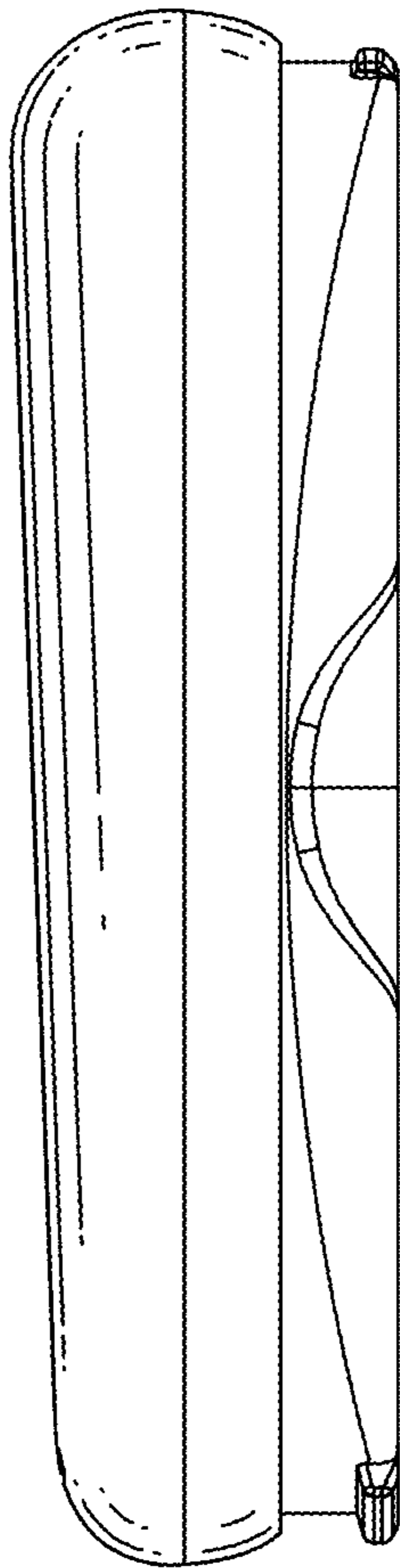


Fig. 5

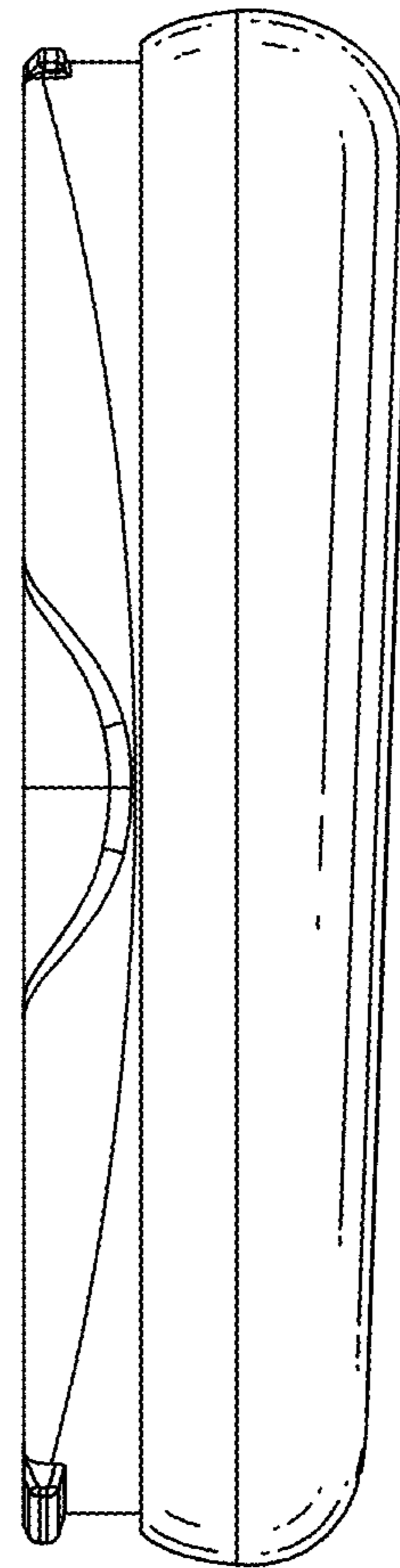


Fig. 6

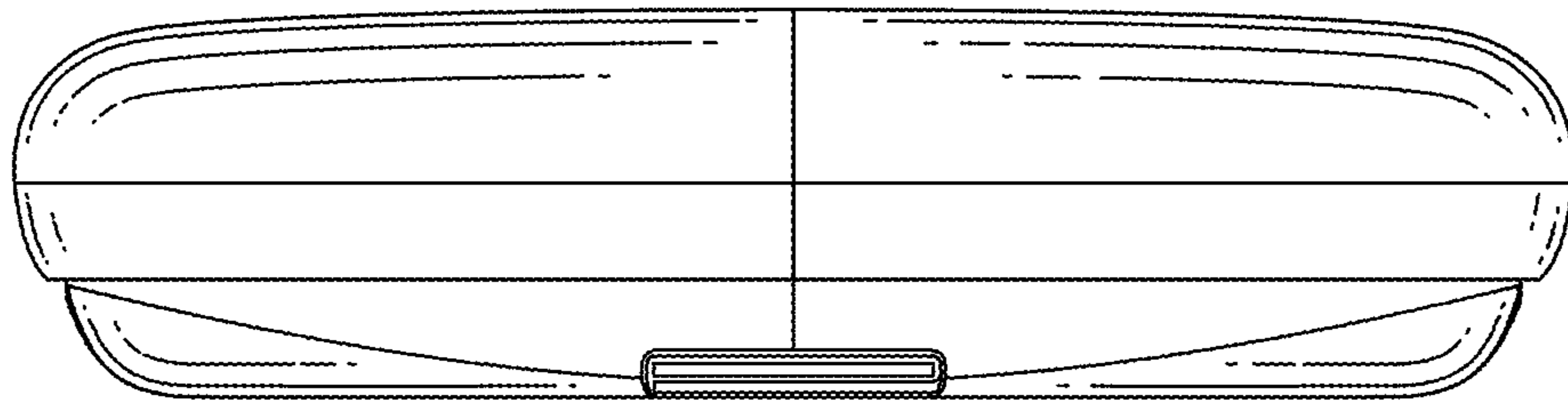


Fig. 7

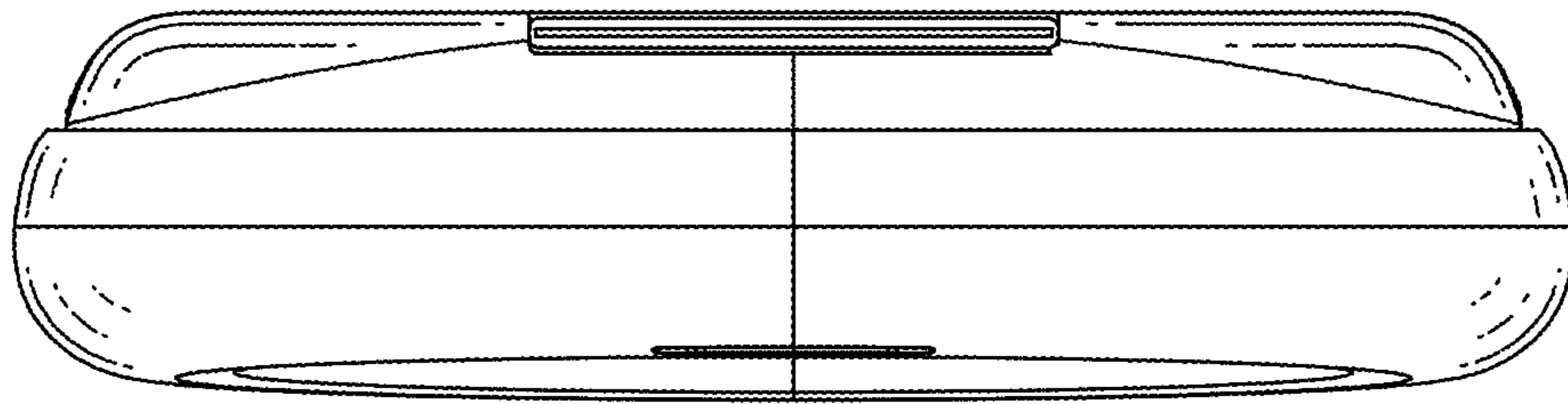


Fig. 8